



US00D633778S

(12) **United States Design Patent**  
**Wyse**

(10) **Patent No.:** **US D633,778 S**

(45) **Date of Patent:** **\*\* \*Mar. 8, 2011**

(54) **MODULAR STAGE LEG BRACING CONNECTOR**

(76) Inventor: **Steven J. Wyse**, Archbold, OH (US)

(\*) Notice: This patent is subject to a terminal disclaimer.

(\*\*) Term: **14 Years**

(21) Appl. No.: **29/353,475**

(22) Filed: **Jan. 8, 2010**

**Related U.S. Application Data**

(62) Division of application No. 29/326,560, filed on Oct. 20, 2008.

(51) **LOC (9) Cl.** ..... **08-05**

(52) **U.S. Cl.** ..... **D8/354**

(58) **Field of Classification Search** ..... D8/349,  
D8/354; 248/200, 300; 52/714, 715  
See application file for complete search history.

(56) **References Cited**

**U.S. PATENT DOCUMENTS**

D422,886 S *	4/2000	Shea	.....	D8/354
D598,272 S *	8/2009	Tejszerski	.....	D8/349
D608,183 S *	1/2010	Meyer et al.	.....	D8/354

\* cited by examiner

*Primary Examiner* — Holly H Baynham

(74) *Attorney, Agent, or Firm* — Hovey Williams LLP

(57) **CLAIM**

The ornamental design for a modular stage leg bracing connector, as shown and described.

**DESCRIPTION**

FIG. 1 is an environmental, top perspective view of a modular stage leg bracing connector with the coupling fasteners, legs, leg sockets and lock pins being for illustrative purposes only and forming no part of the claimed design;

FIG. 2 is a perspective view of the bracing connector depicted in FIG. 1;

FIG. 3 is an opposite perspective view of the bracing connector depicted in FIG. 2, with part of the leg being broken away to fully depict the connector;

FIG. 4 is a side elevation view of the bracing connector depicted in FIGS. 2 and 3;

FIG. 5 is an adjacent side elevation view of the bracing connector depicted in FIGS. 2-4;

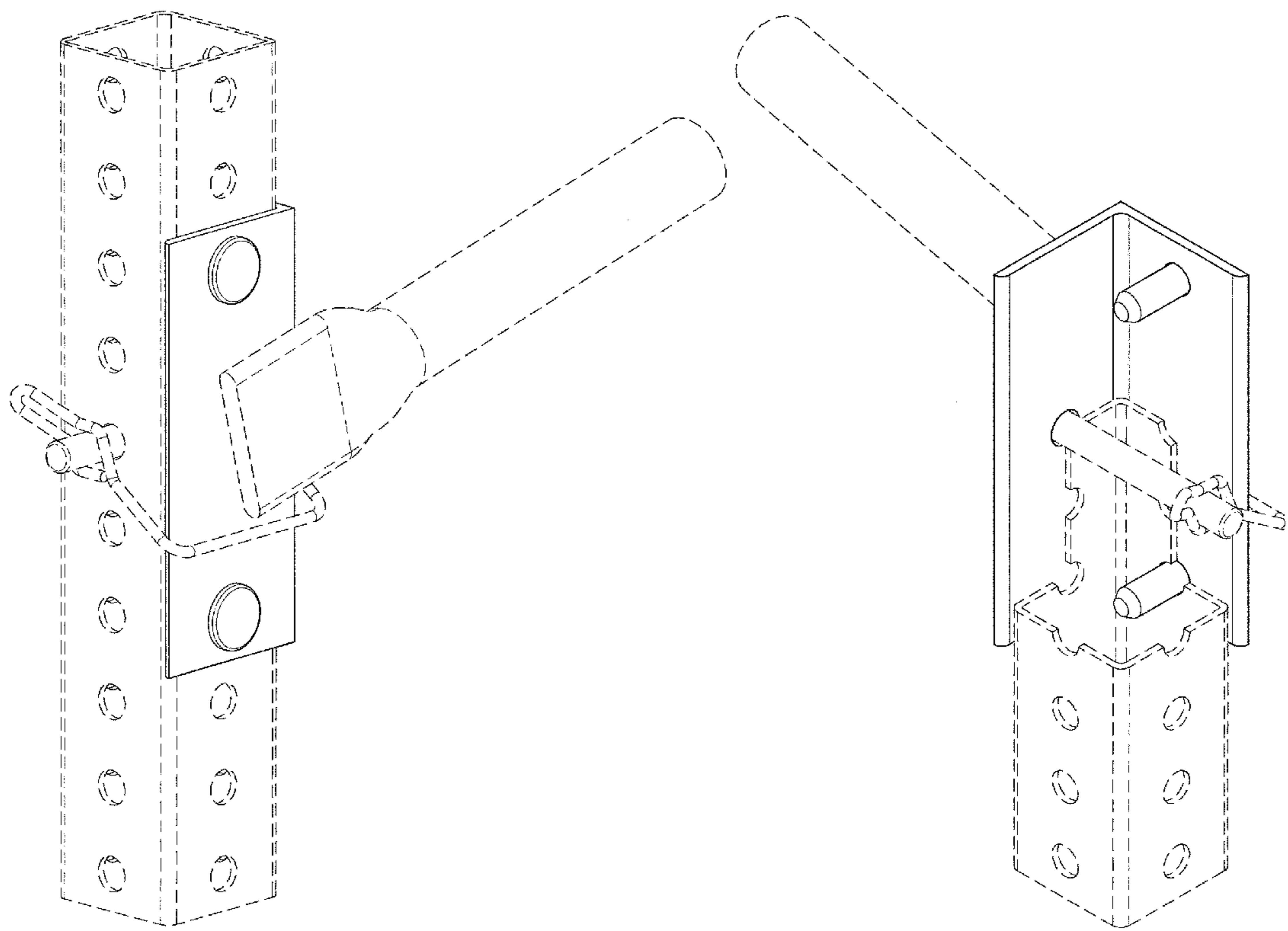
FIG. 6 is a side elevation view of the bracing connector opposite that depicted in FIG. 4;

FIG. 7 is a side elevation view of the bracing connector opposite that depicted in FIG. 5;

FIG. 8 is a top elevation view of the bracing connector depicted in FIGS. 2-7; and,

FIG. 9 is a bottom elevation view of the bracing connector depicted in FIGS. 2-8.

**1 Claim, 5 Drawing Sheets**



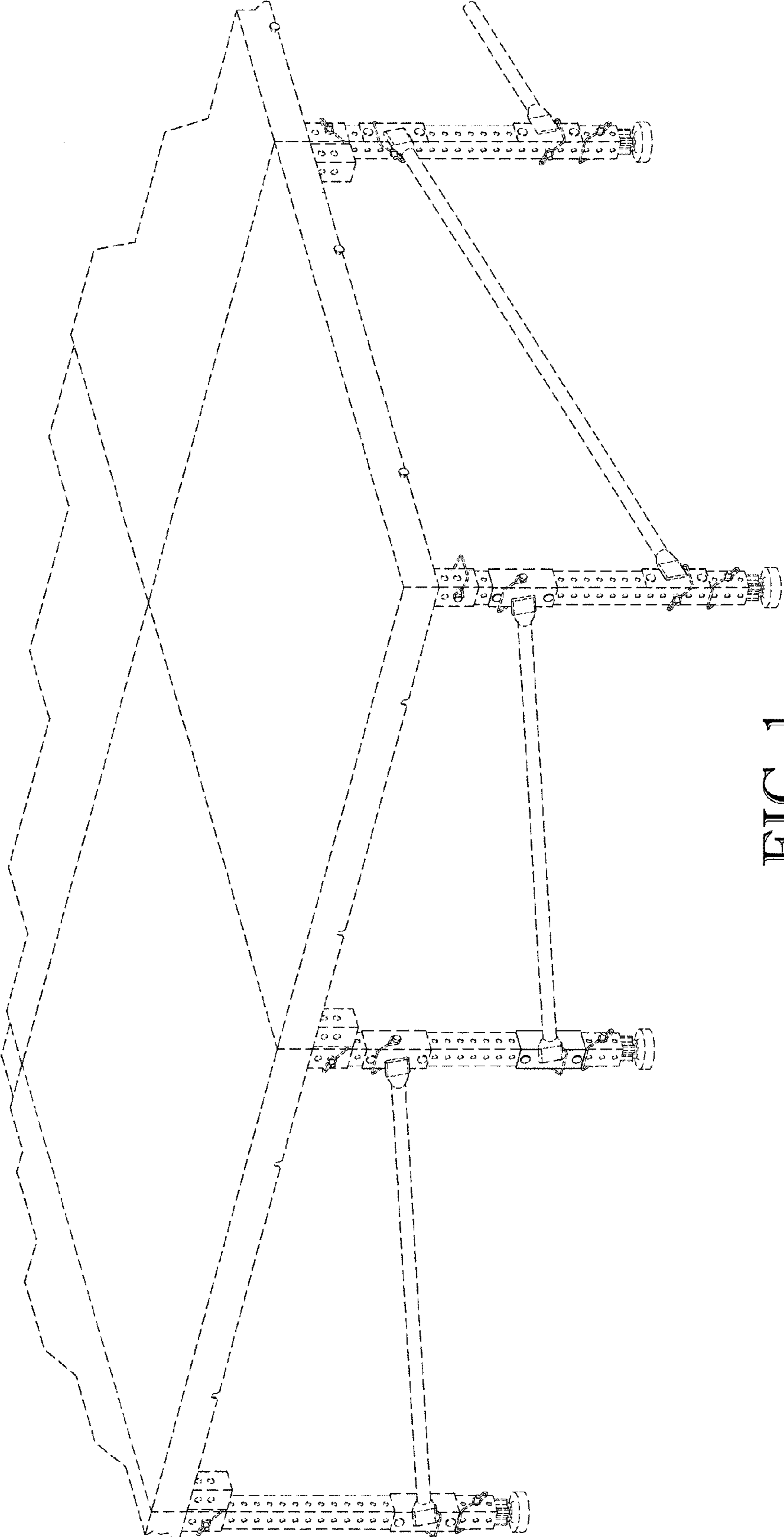


FIG. 1

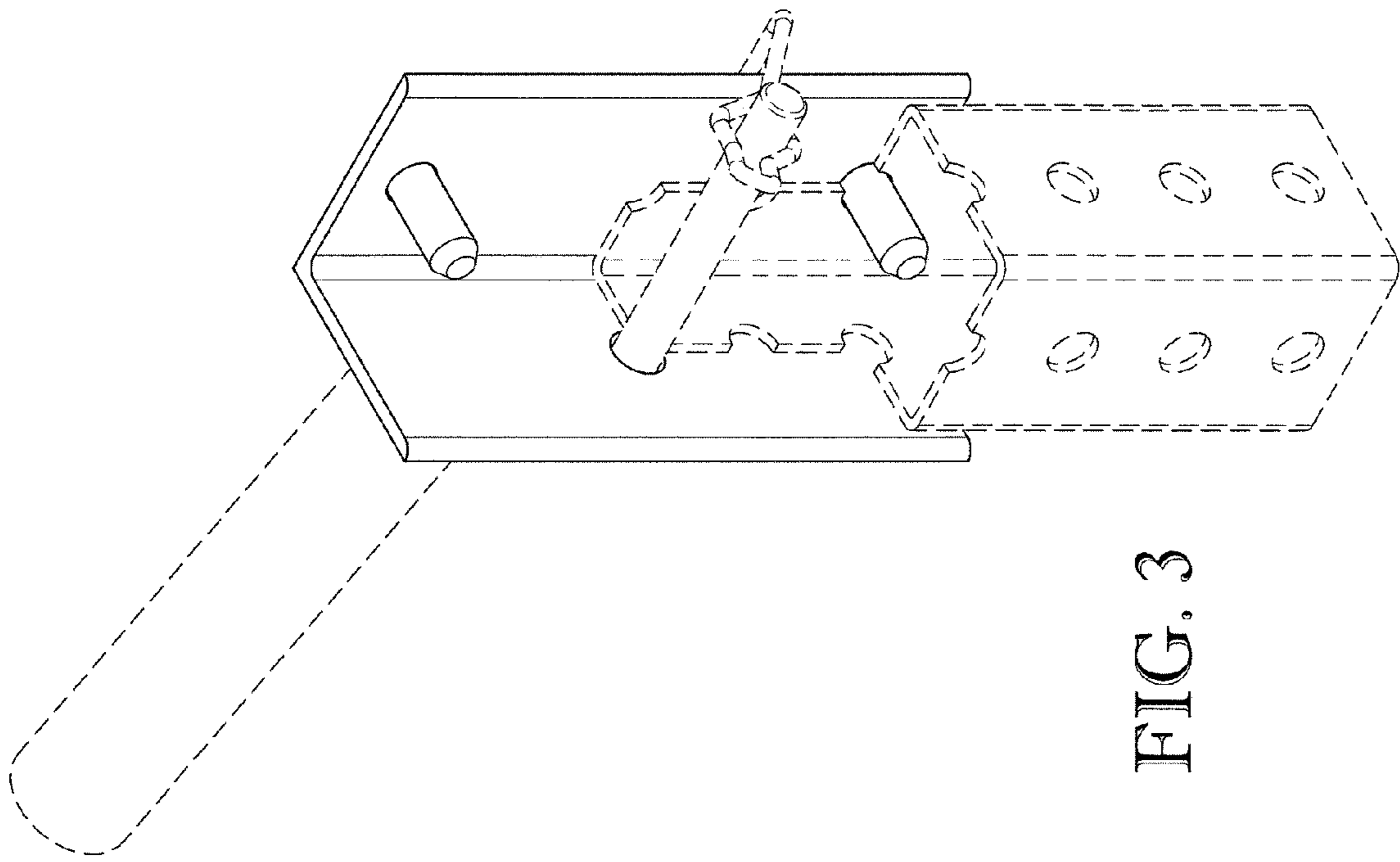


FIG. 3

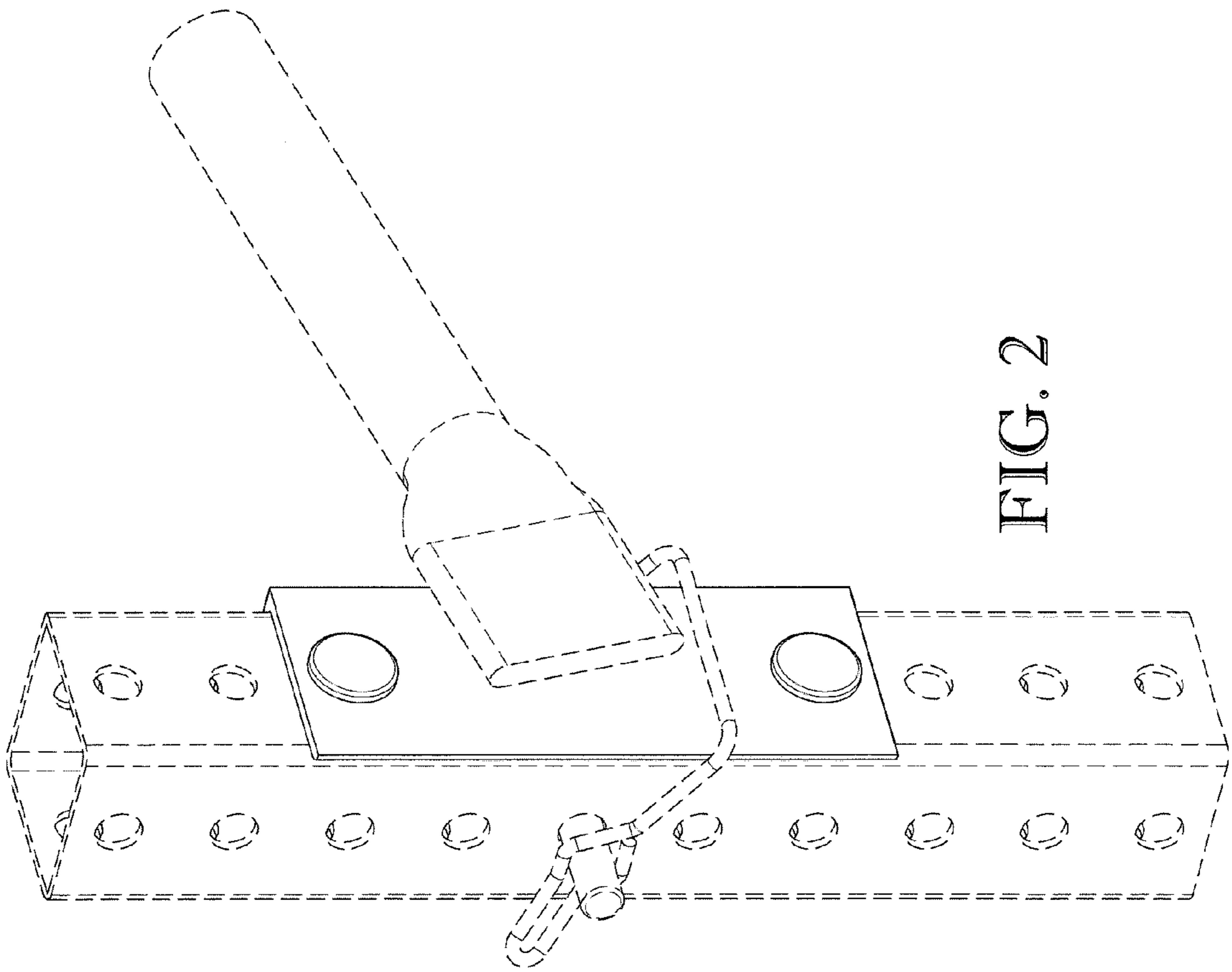


FIG. 2

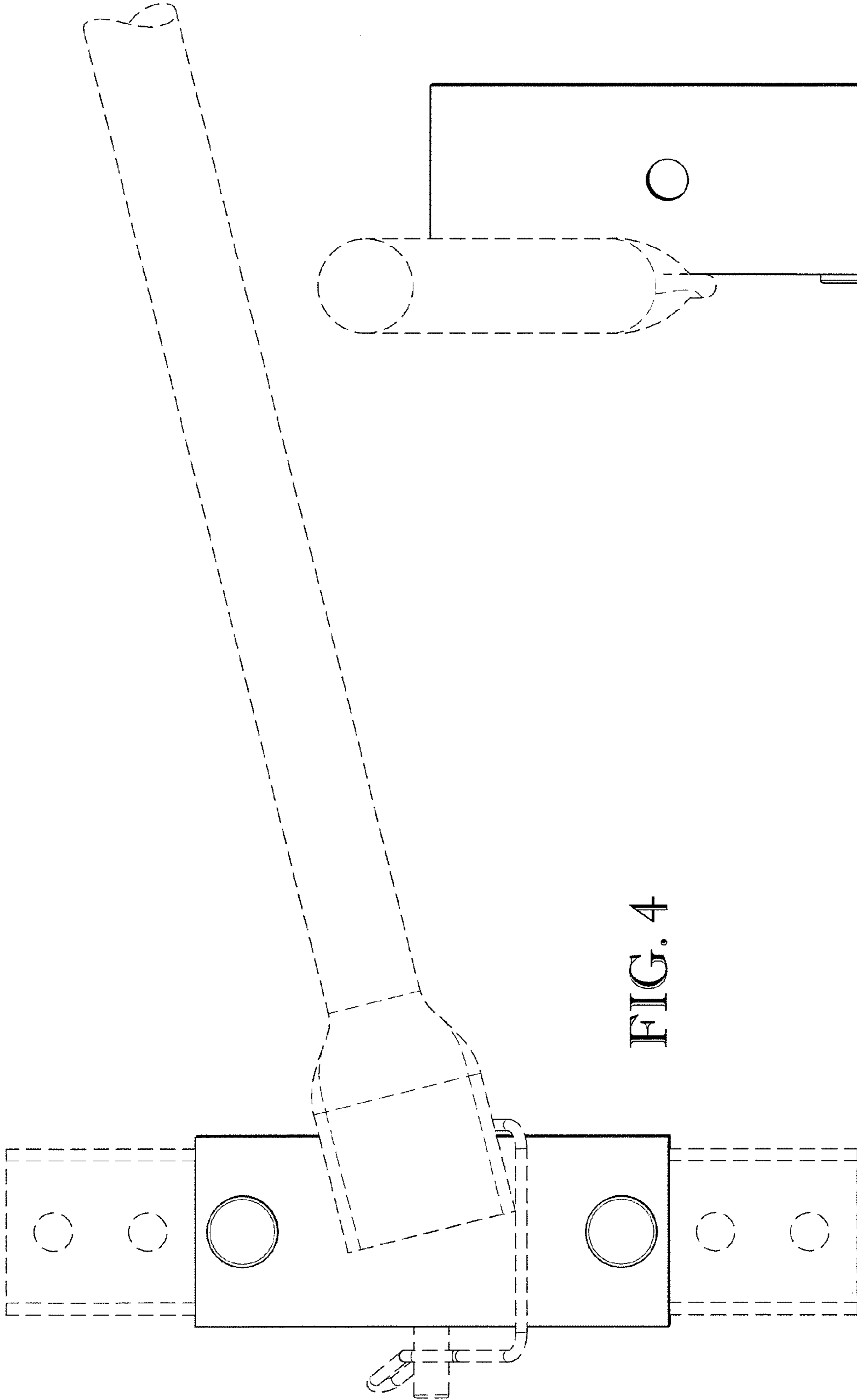


FIG. 4

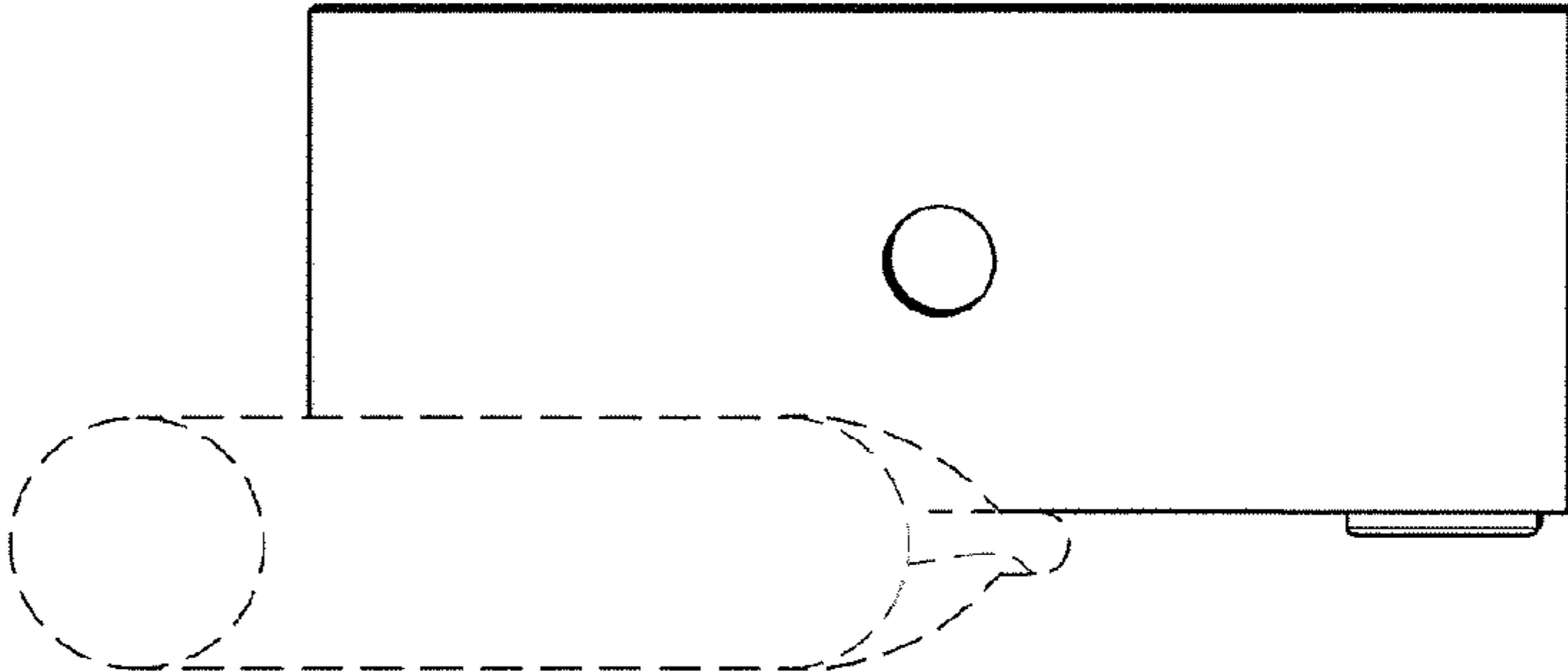


FIG. 5

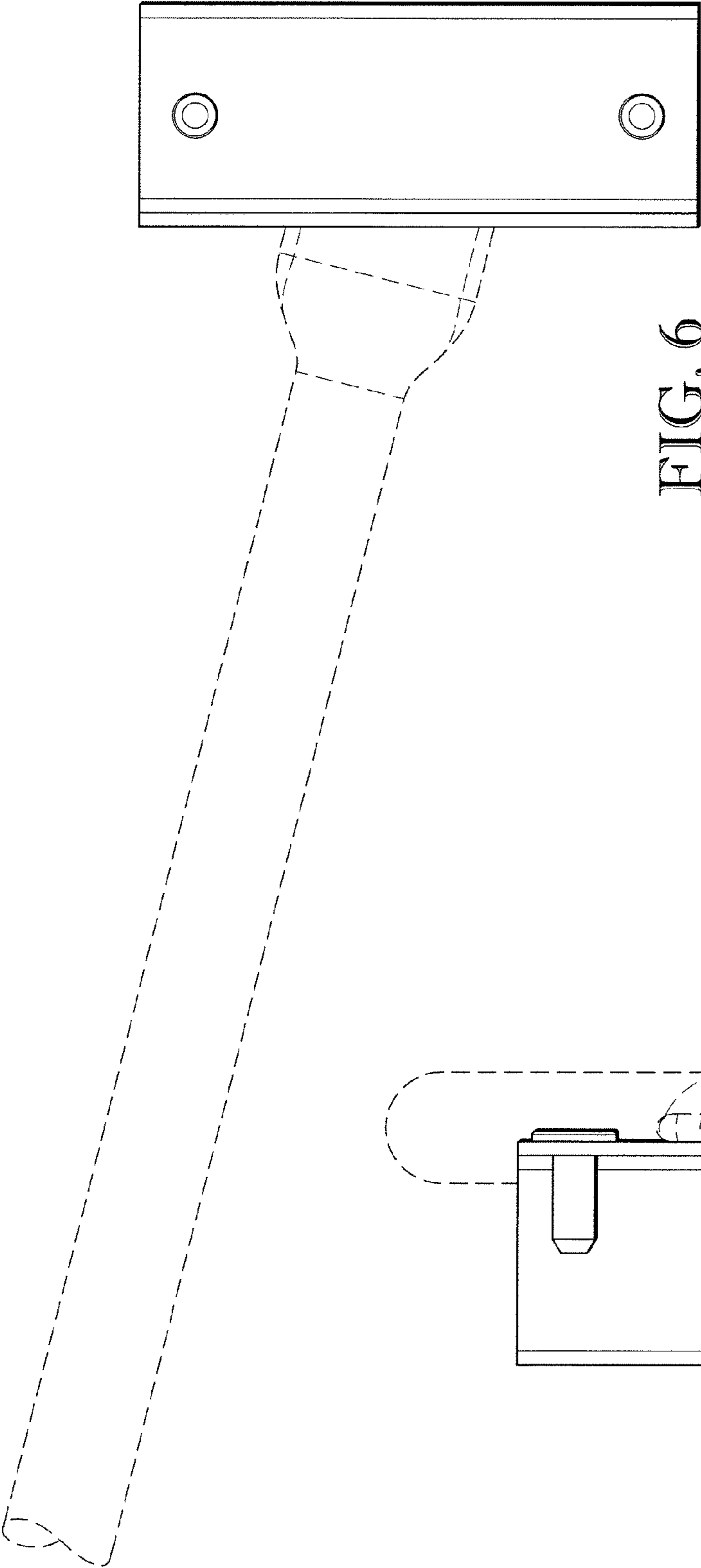


FIG. 6

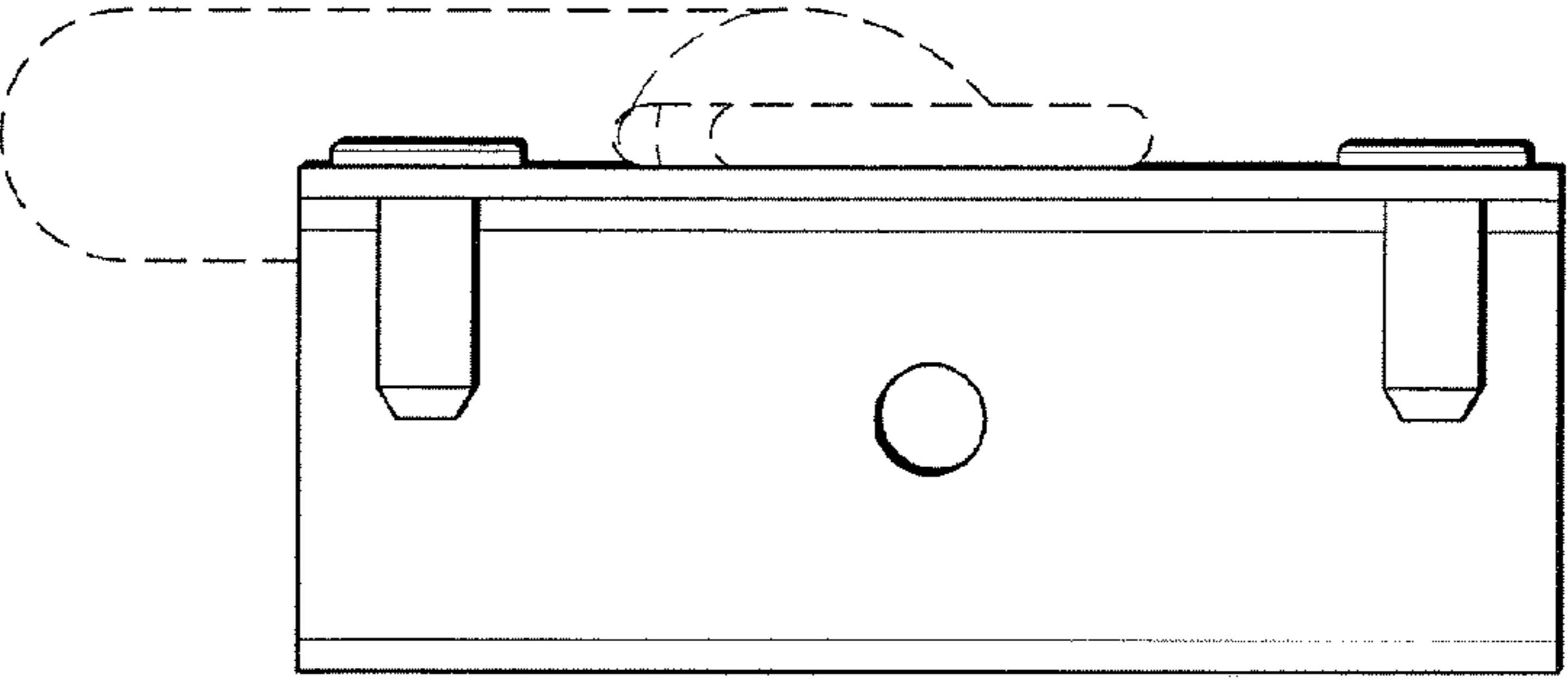


FIG. 7

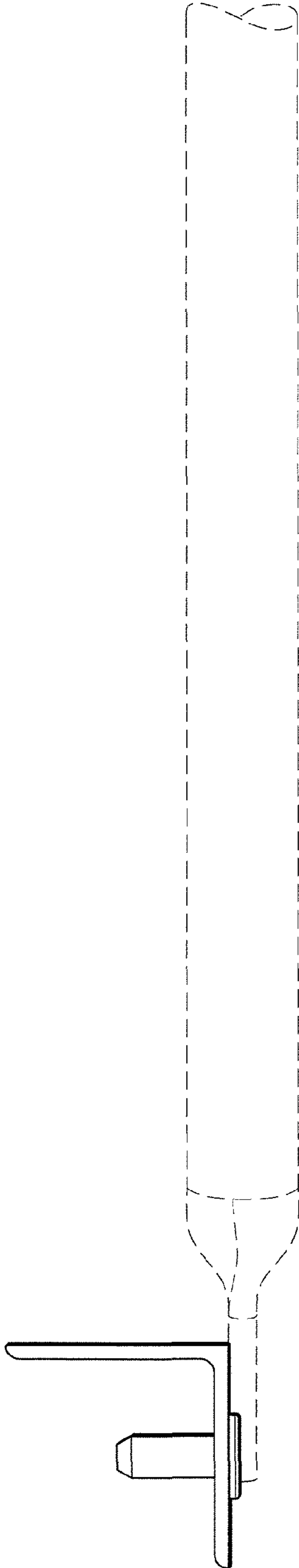


FIG. 8

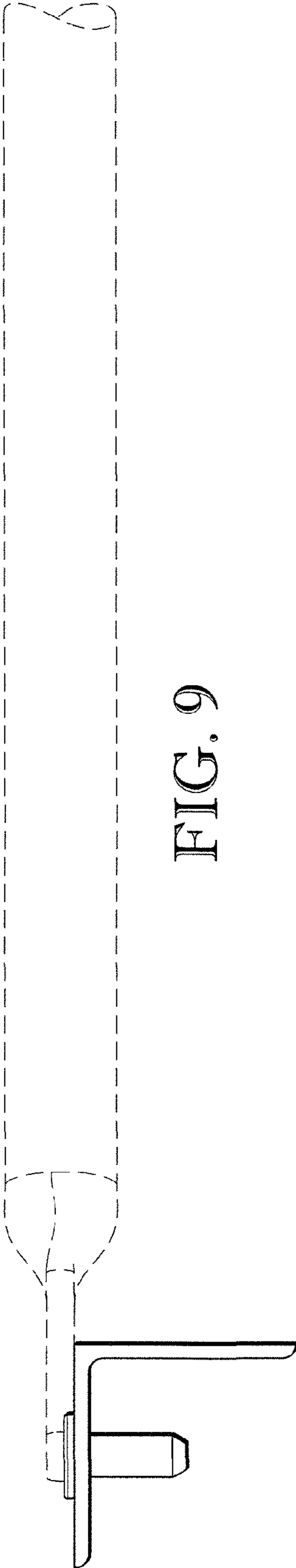


FIG. 9