



US00D633777S

(12) **United States Design Patent**
Chen et al.

(10) **Patent No.:** **US D633,777 S**
(45) **Date of Patent:** **** Mar. 8, 2011**

(54) **FACE PLATE**

(75) Inventors: **Henry Chen**, Arcadia, CA (US);
Jackson Chun Chan, Diamond Bar, CA
(US)

(73) Assignee: **Ever Win International Corporation**,
City of Industry, CA (US)

(**) Term: **14 Years**

(21) Appl. No.: **29/348,888**

(22) Filed: **Feb. 17, 2010**

(51) **LOC (9) Cl.** **11-05**

(52) **U.S. Cl.** **D8/353**

(58) **Field of Classification Search** D8/350–353;
D13/156, 177, 152, 154, 158, 173, 169, 171,
D13/139.1–139.8, 146, 147; D14/159; D25/60;
174/66, 67; 220/241, 3.92, 3.5–3.8, 242;
439/536, 535, 892; 200/303; 248/273; 292/357
See application file for complete search history.

(56) **References Cited**

U.S. PATENT DOCUMENTS

1,131,093	A *	3/1915	Sperry	220/242
1,144,107	A *	6/1915	Burt	220/242
1,221,652	A *	4/1917	Badeau	220/242
D61,027	S *	6/1922	Benjamin	D8/352
2,575,820	A *	11/1951	Linton	362/95
2,740,873	A *	4/1956	Cronk	200/295
D187,921	S *	5/1960	Prior	D8/353
D195,031	S *	4/1963	Hamill	D8/353
3,331,915	A *	7/1967	Lucci	174/66
D210,592	S *	3/1968	Paganelli	D13/139.6
3,438,534	A *	4/1969	Zerwes	220/241
D222,885	S *	1/1972	Smith	D8/353
3,840,692	A *	10/1974	Wells	174/66
D241,510	S *	9/1976	Fisher	D8/353
D262,619	S *	1/1982	Antos et al.	D23/354
4,312,458	A *	1/1982	Stewart	220/241
4,451,106	A *	5/1984	Wiseheart et al.	439/536
D360,352	S *	7/1995	House et al.	D8/353
D387,650	S *	12/1997	Lutzker	D8/353

D396,401	S *	7/1998	Christie	D8/353
5,834,695	A *	11/1998	Herbert	174/66
5,837,937	A *	11/1998	Reese et al.	174/66
D411,733	S *	6/1999	Lin	D8/353
6,023,021	A *	2/2000	Matthews et al.	174/66
D430,478	S *	9/2000	De brey et al.	D8/353
D453,899	S *	2/2002	LaPlume et al.	D8/352
D455,640	S *	4/2002	Hansen	D8/352
D465,990	S *	11/2002	Betancourth	D8/352
D473,447	S *	4/2003	Luu	D8/352
D506,382	S *	6/2005	McIntosh	D8/352
D521,360	S *	5/2006	Chen	D8/353
D522,346	S *	6/2006	Chen	D8/353

(Continued)

FOREIGN PATENT DOCUMENTS

WO PCT/CN2008/001028 12/2008

OTHER PUBLICATIONS

Fastmac Performance Upgrades, Inc.—TruePower, Power Outlet
http://store.fastmac.com/product_info.php?products_id=458.

Primary Examiner—Mark A Goodwin
(74) *Attorney, Agent, or Firm*—Joe Nieh

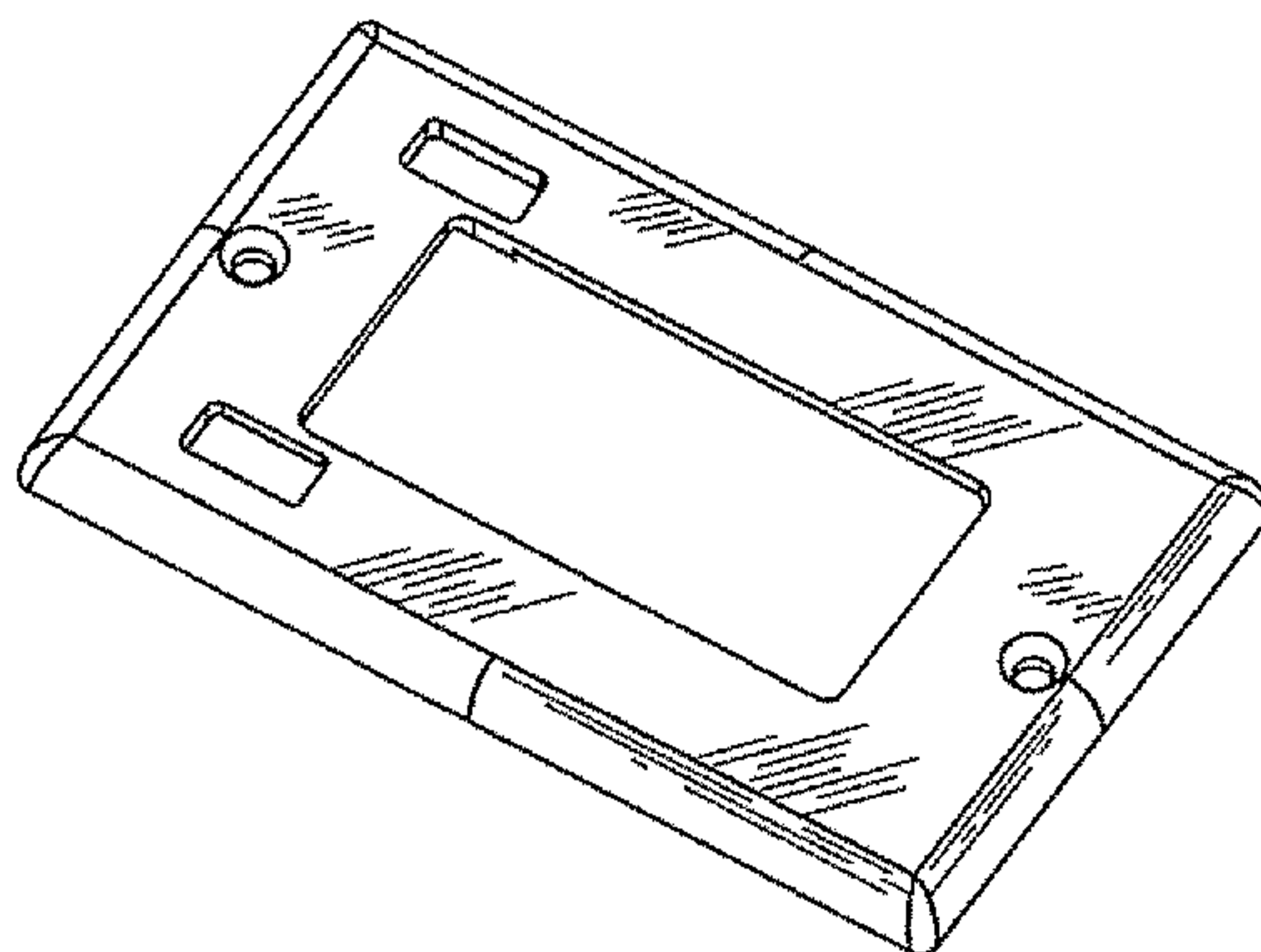
(57) **CLAIM**

The ornamental design for a face plate, as shown and described.

DESCRIPTION

FIG. 1 is a front perspective view of a face plate showing our new design;
FIG. 2 is a rear perspective view thereof;
FIG. 3 is a top view thereof;
FIG. 4 is a front view thereof;
FIG. 5 is a left side view thereof;
FIG. 6 is a right side view thereof;
FIG. 7 is a bottom view thereof; and,
FIG. 8 is a rear view thereof.

1 Claim, 2 Drawing Sheets



US D633,777 S

Page 2

U.S. PATENT DOCUMENTS

D522,353 S *	6/2006	Wengrower	D8/352	D561,560 S *	2/2008	McConnell	D8/353
D534,787 S *	1/2007	Fields	D8/353	D561,577 S *	2/2008	McConnell	D8/353
D561,558 S *	2/2008	Jackson	D8/353	D564,861 S *	3/2008	Lemaire	D8/353
D561,559 S *	2/2008	Krumpe	D8/353	D617,173 S *	6/2010	Anzalone et al.	D8/353

* cited by examiner

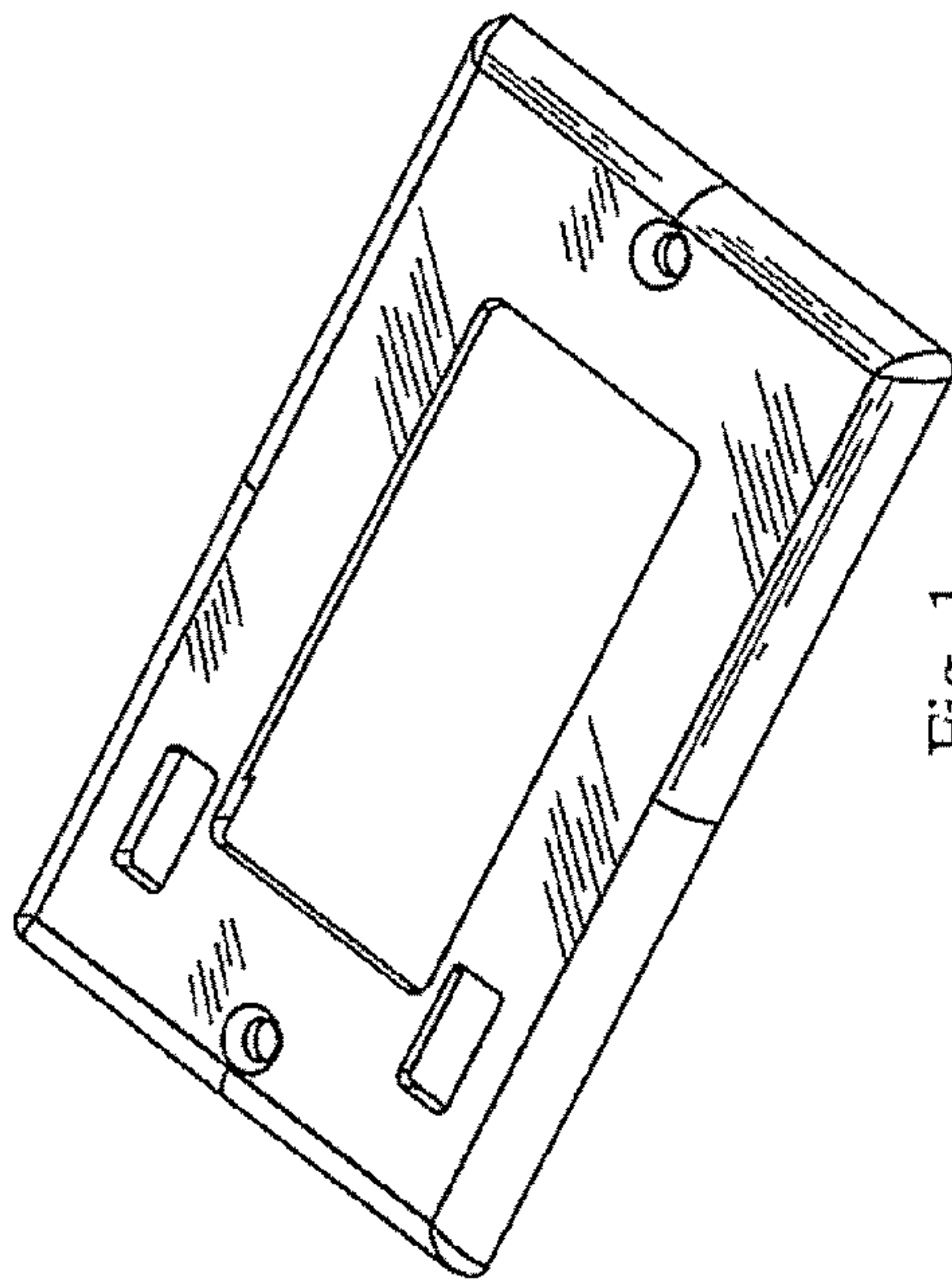


Fig. 1

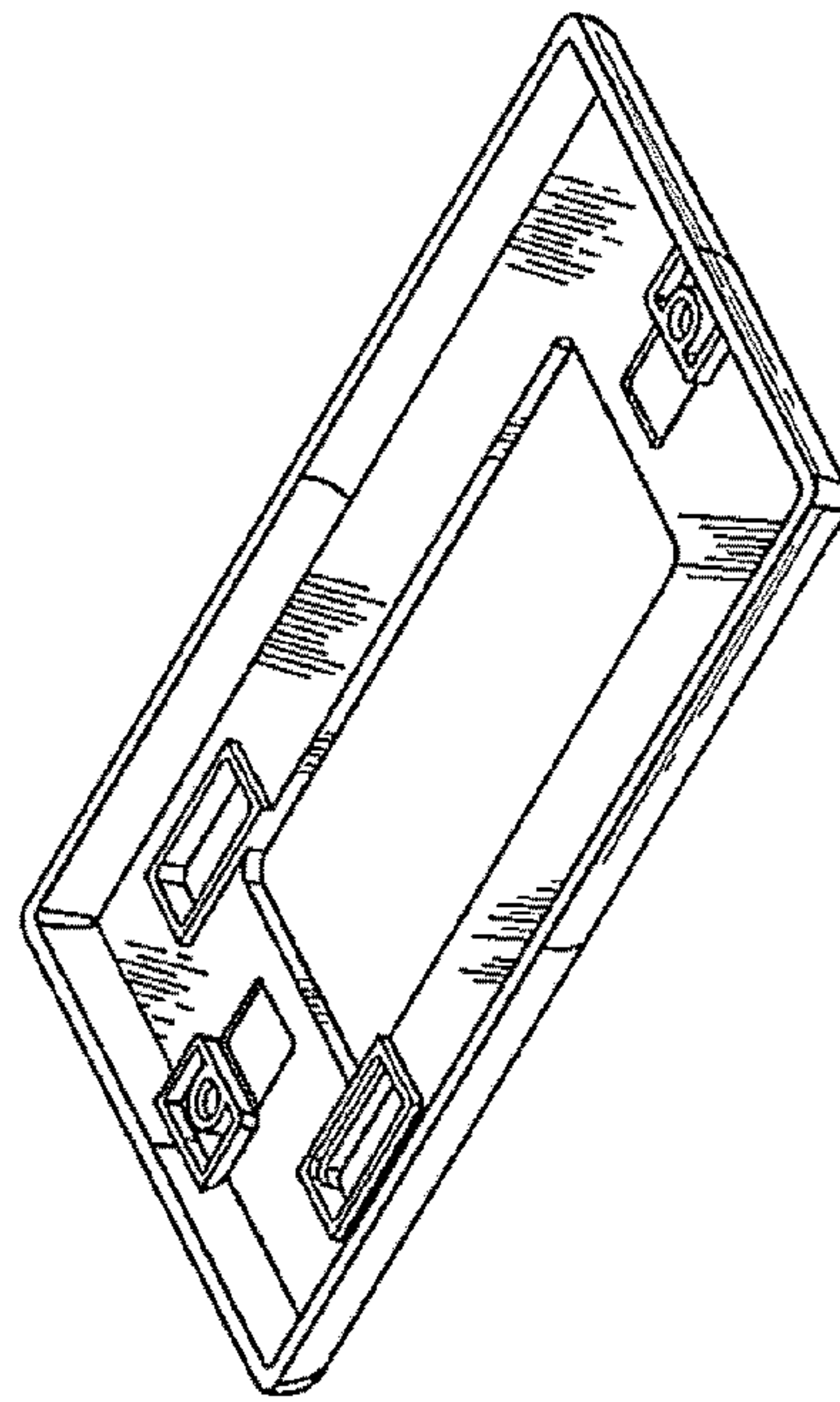


Fig. 2

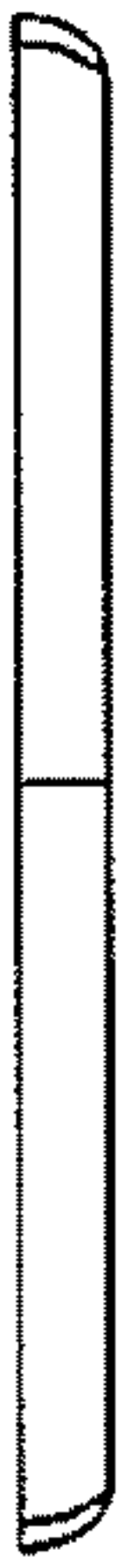


Fig. 3

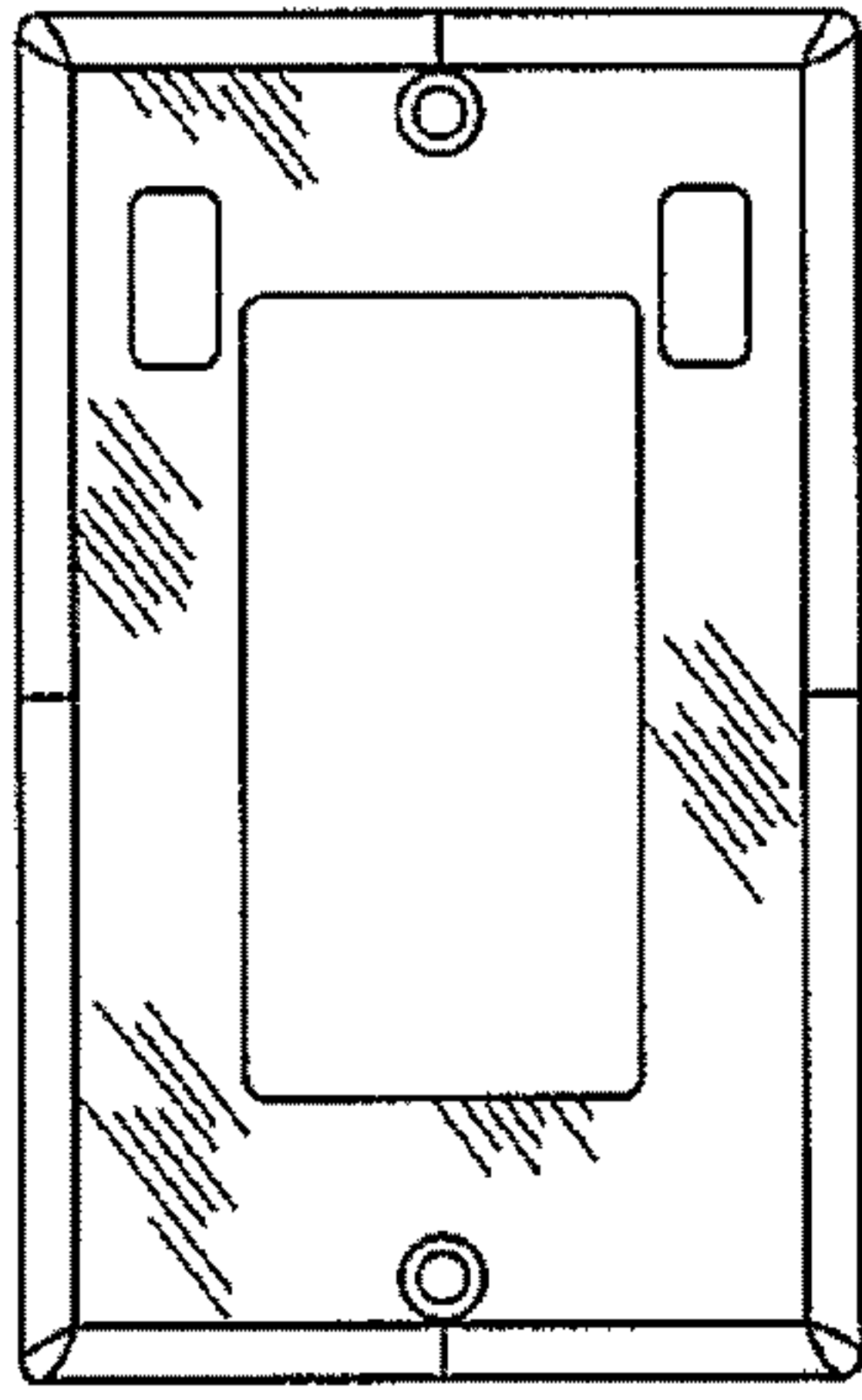


Fig. 4

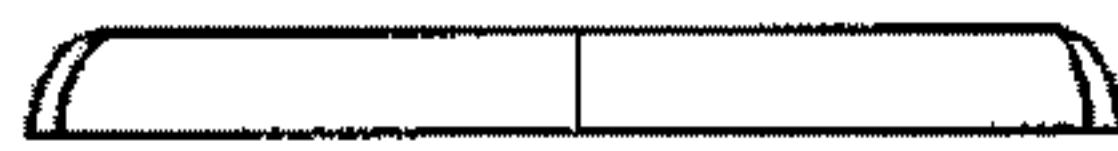


Fig. 5

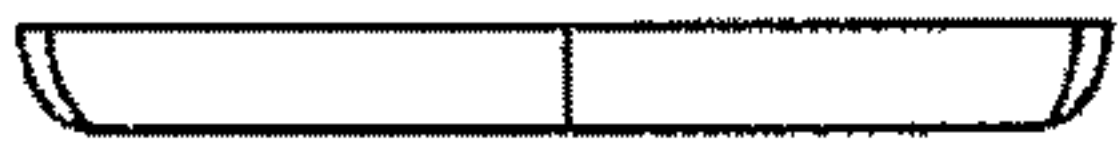


Fig. 6

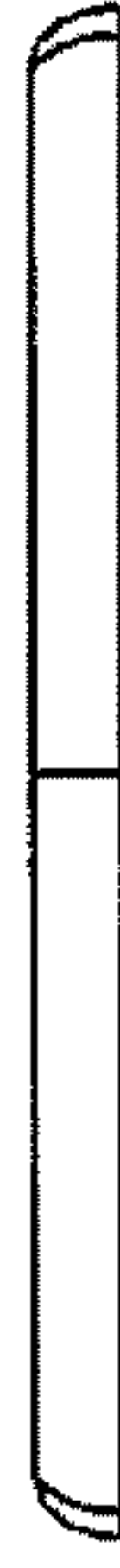


Fig. 7

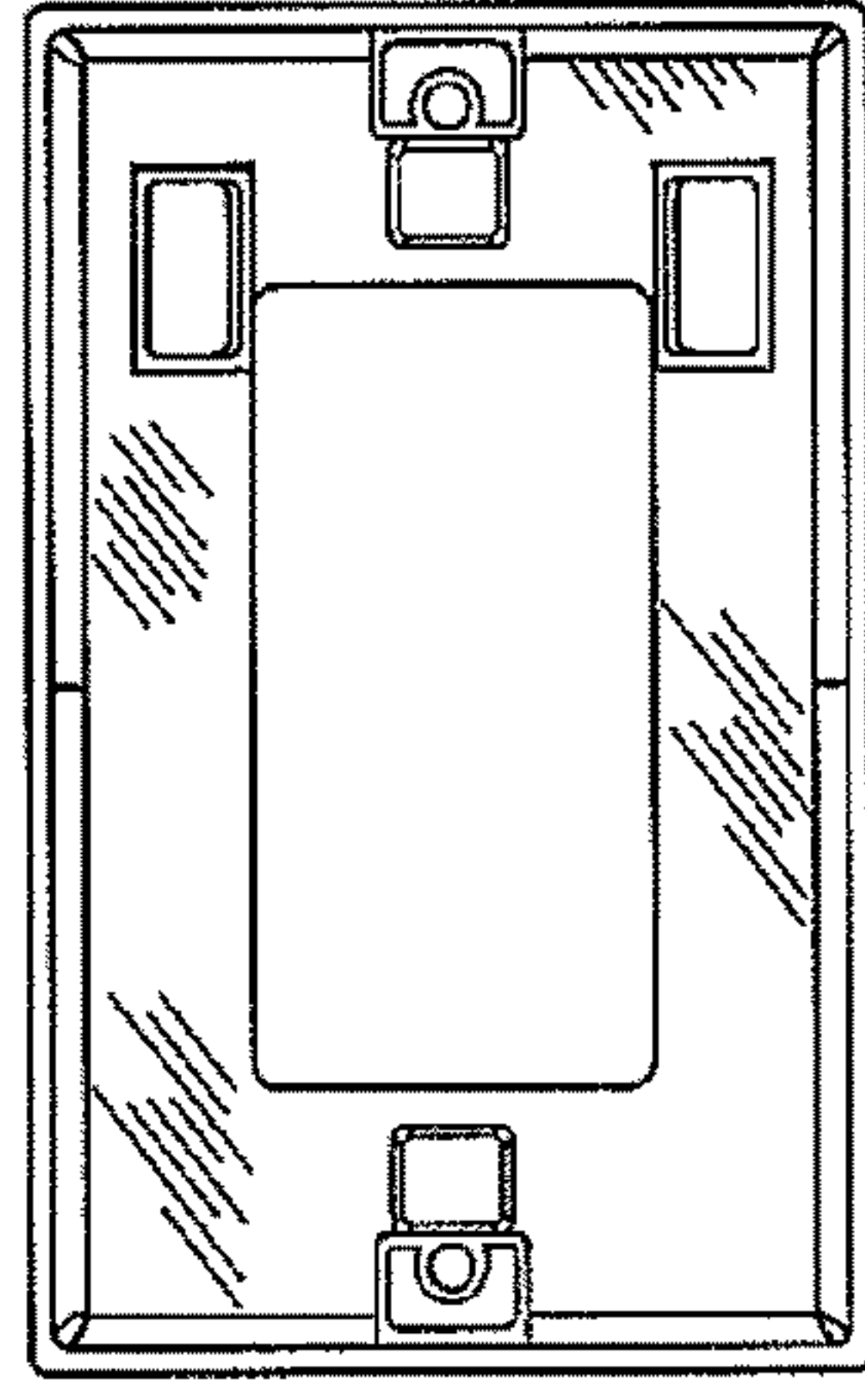


Fig. 8