



US00D633774S

(12) **United States Design Patent**
Spragg

(10) **Patent No.:** **US D633,774 S**

(45) **Date of Patent:** **** Mar. 8, 2011**

(54) **DOOR HINGE PIN**

(76) Inventor: **Kenneth L. Spragg**, Woodstock (CA)

(**) Term: **14 Years**

(21) Appl. No.: **29/367,334**

(22) Filed: **Aug. 6, 2010**

(51) **LOC (9) Cl.** **08-06**

(52) **U.S. Cl.** **D8/323**

(58) **Field of Classification Search** D8/356,
D8/105, 107, 333, 349, 357, 373, 383, 325,
D8/397, 399, 394, 382, 8, 323; 24/598.1,
24/599.1, 598.2, 599.9, 573.11, 579.09, 592.11,
24/600.1; 294/19.1, 64.1, 82.1, 137, 600.1;
D11/215, 200; 182/5; D16/334; D14/250,
D14/217; D15/138; D23/262, 259; 411/432,
411/108, 353, 404, 410, 919, 147, 957; 137/383;
D21/488; D13/133

See application file for complete search history.

(56) **References Cited**

U.S. PATENT DOCUMENTS

D2,283	S	*	3/1866	Richardson	D8/323
1,168,568	A		1/1916	Rudolff		
1,433,095	A		10/1922	Peary		
1,898,936	A		2/1933	Brawley		
1,970,059	A	*	8/1934	Schotter	285/332
2,053,864	A		9/1936	Cook et al.		
2,837,760	A		6/1958	Ware		
3,407,903	A		10/1968	Sansabrino		
3,899,905	A	*	8/1975	Walters	70/91
4,679,285	A		7/1987	Ballantyne		
D311,677	S	*	10/1990	Headrick	D8/323
D328,280	S	*	7/1992	Lee	D13/133
5,284,369	A	*	2/1994	Kitamura	285/322
D380,037	S	*	6/1997	Grantham	D23/262
5,771,538	A		6/1998	Huppert, Sr.		
D396,730	S	*	8/1998	Schaupp	D23/259
6,490,759	B1		12/2002	Brueckner et al.		
6,735,821	B1		5/2004	Christman, Jr.		
D512,897	S	*	12/2005	Franchini	D8/323
D524,149	S	*	7/2006	Kim	D8/397
7,340,800	B2		3/2008	Gulley		

D601,567	S	*	10/2009	Lau	D14/432
D620,084	S	*	7/2010	Talamantez	D23/262
2005/0072728	A1	*	4/2005	Chang	210/446

FOREIGN PATENT DOCUMENTS

CA 2527386 A1 12/2004

OTHER PUBLICATIONS

1999 Installation [online]. Accessed on Nov. 5, 2009. Retrieved from the Internet: <URL <http://www.andyz28.com/truck/99truck/installation.htm>>.

1999-2006 General Motors Pickup & SUV's Door Pin & Bushing Kit. Fireforce Manufacturing. Published in 2006.

* cited by examiner

Primary Examiner — Cynthia Underwood

(74) *Attorney, Agent, or Firm* — Bereskin & Parr LLP

(57) **CLAIM**

The ornamental design for a door hinge pin, as shown and described.

DESCRIPTION

FIG. 1 is a front perspective view of a first embodiment of the subject design, taken from above;

FIG. 2 is a rear perspective view thereof, taken from below;

FIG. 3 is a left side view thereof (the right side view is a mirror image);

FIG. 4 is a front elevational view thereof;

FIG. 5 is a rear elevational view thereof;

FIG. 6 is a top plan view thereof;

FIG. 7 is a bottom plan view thereof;

FIG. 8 is a front perspective view of a second embodiment of the subject design, taken from above;

FIG. 9 is a rear perspective view thereof, taken from below;

FIG. 10 is a left side view thereof (the right side view is a mirror image);

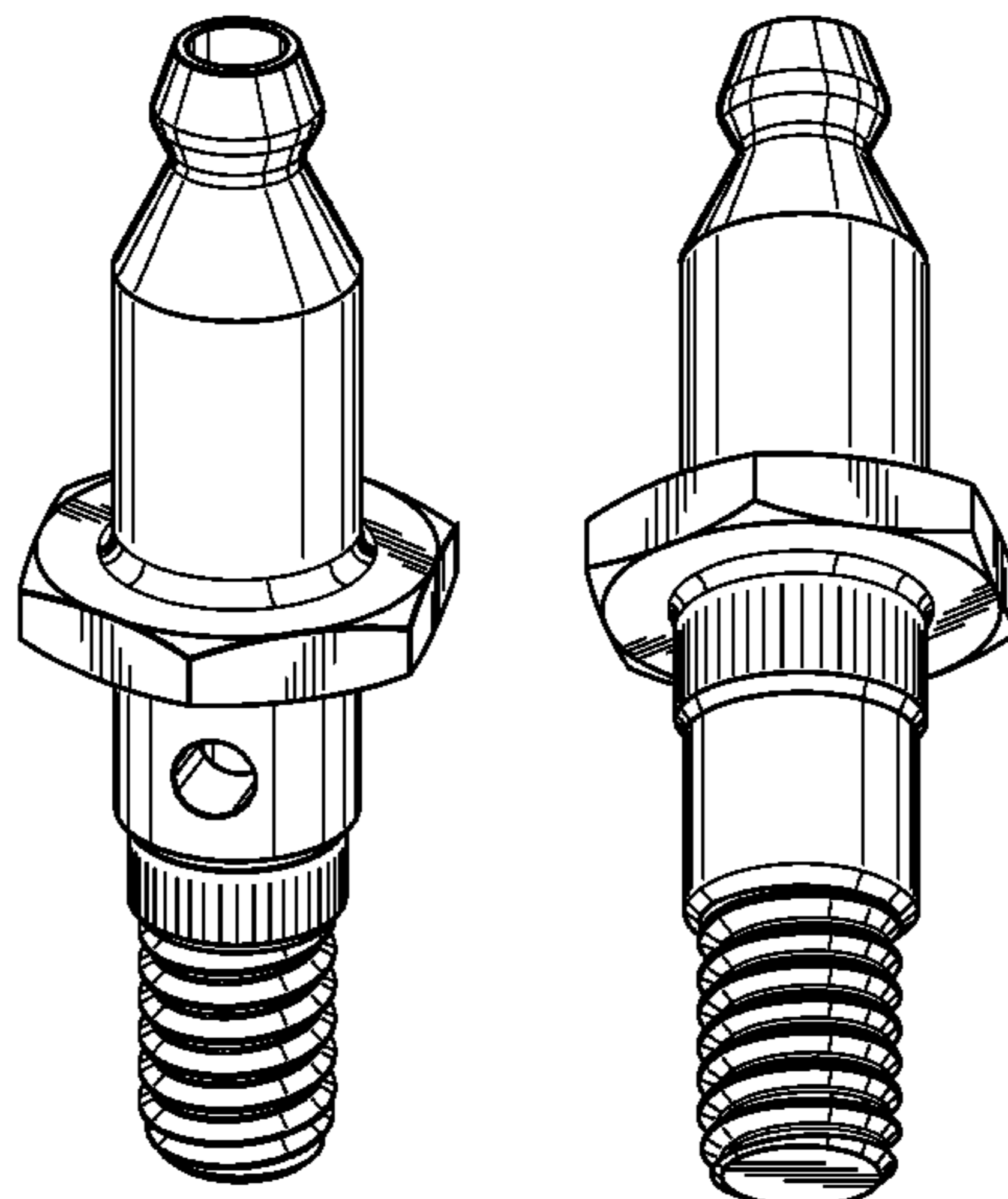
FIG. 11 is a front elevational view thereof;

FIG. 12 is a rear elevational view thereof;

FIG. 13 is a top plan view thereof; and,

FIG. 14 is a bottom plan view thereof.

1 Claim, 4 Drawing Sheets



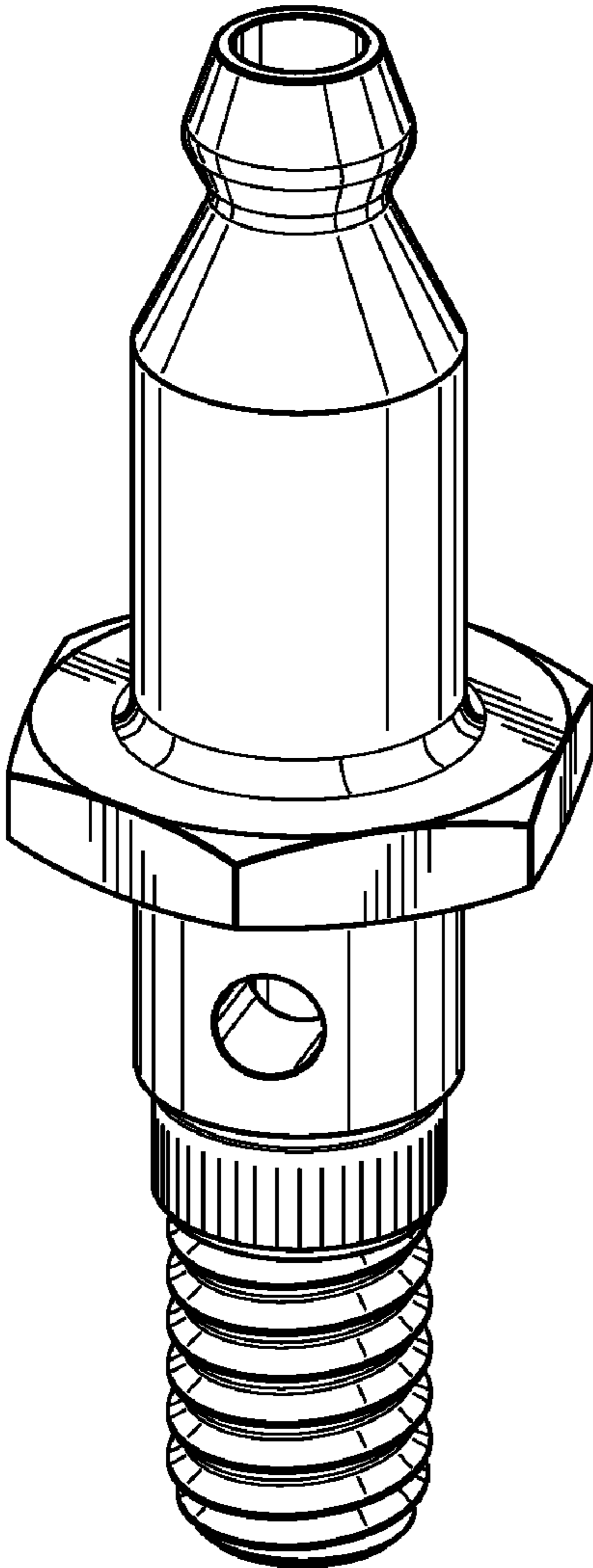


FIG. 1

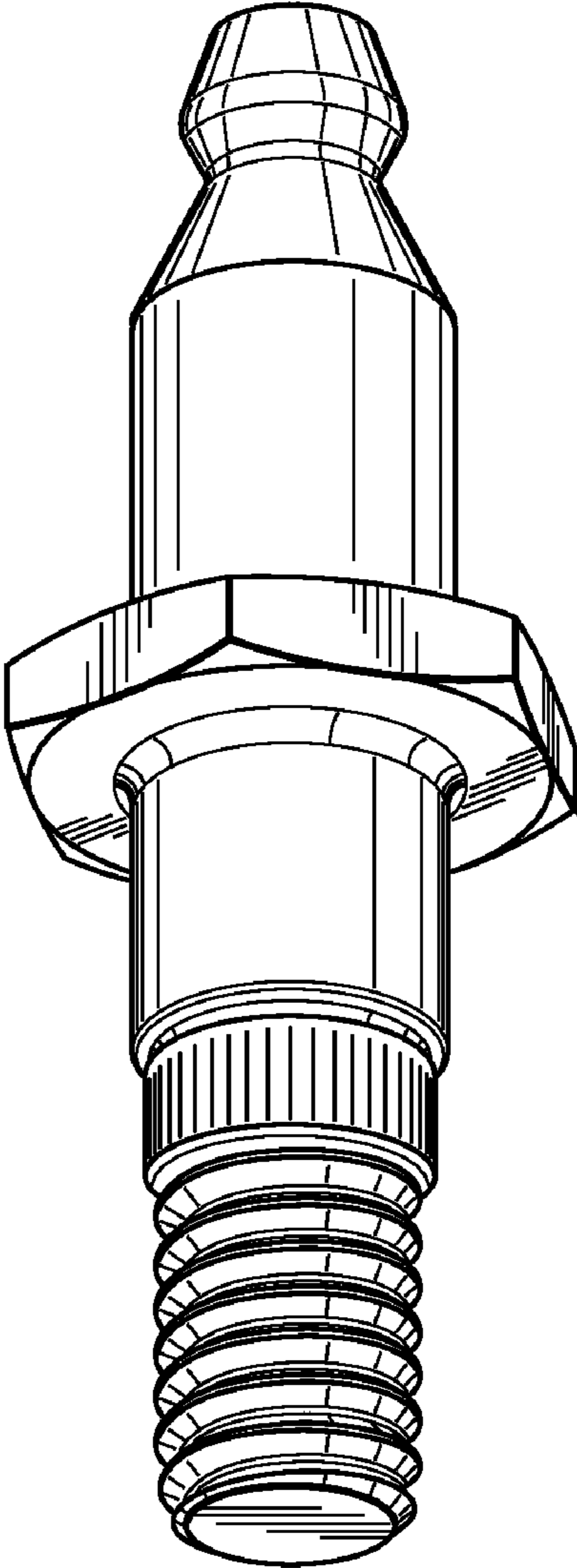


FIG. 2

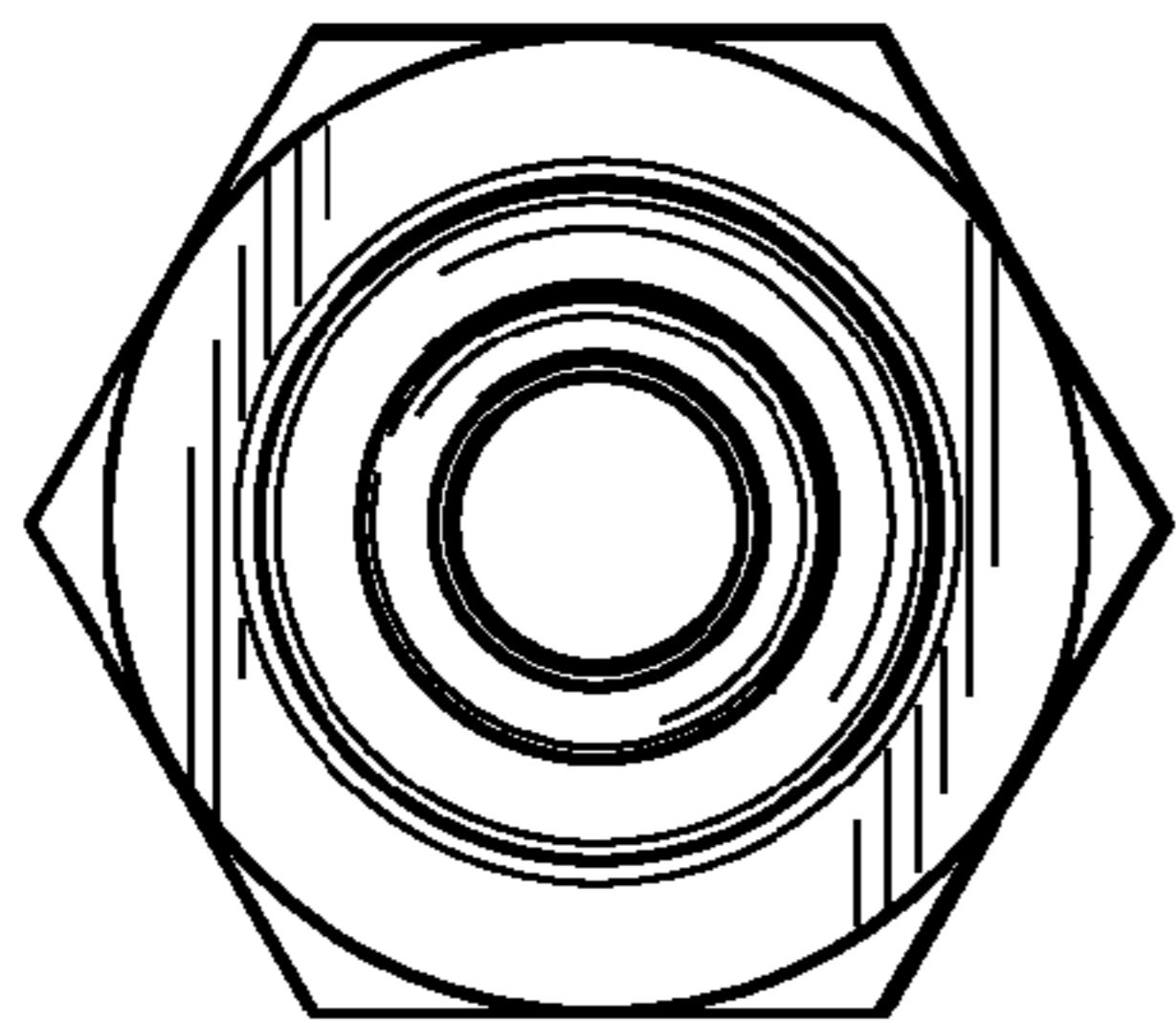


FIG. 6

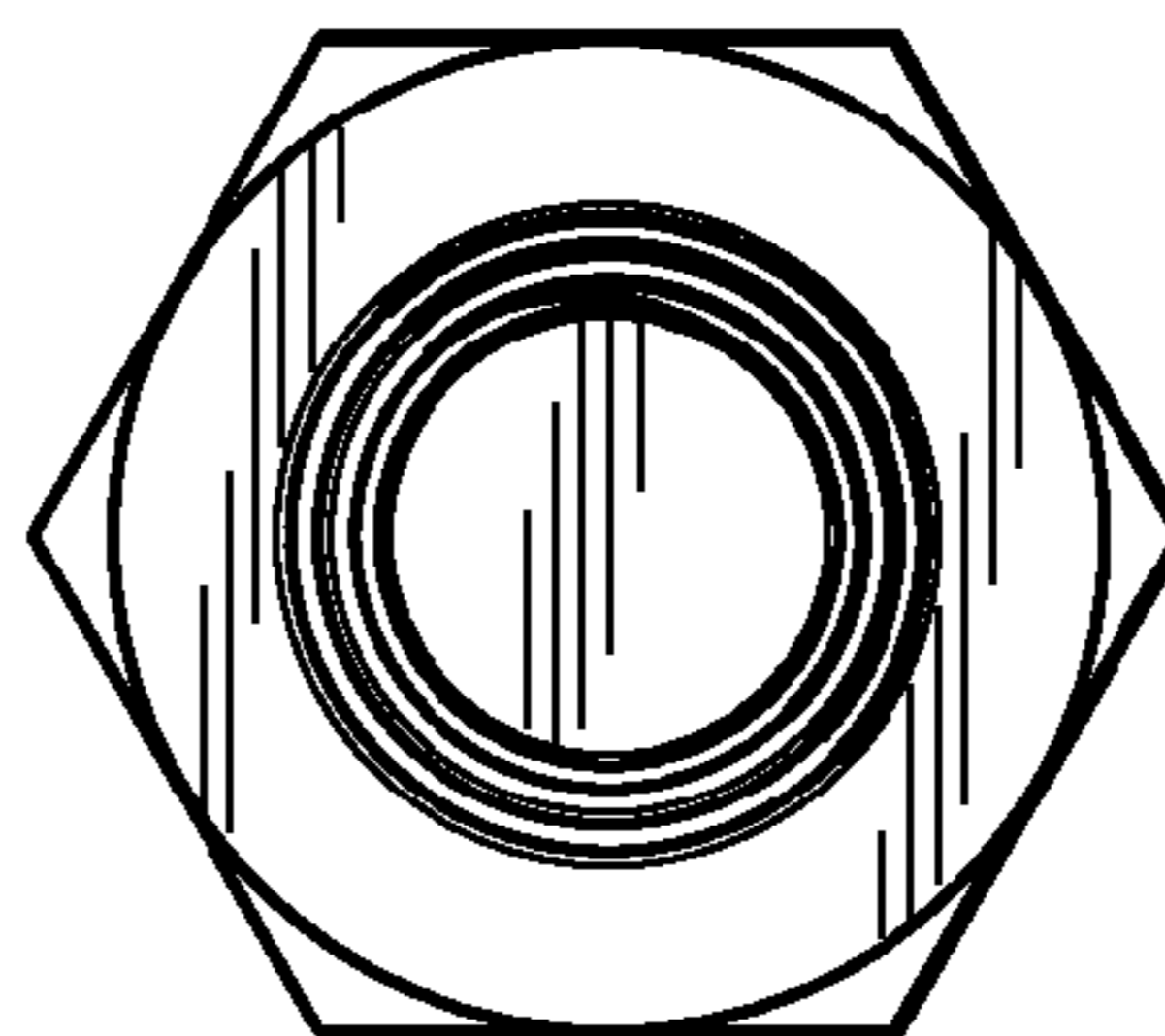


FIG. 7

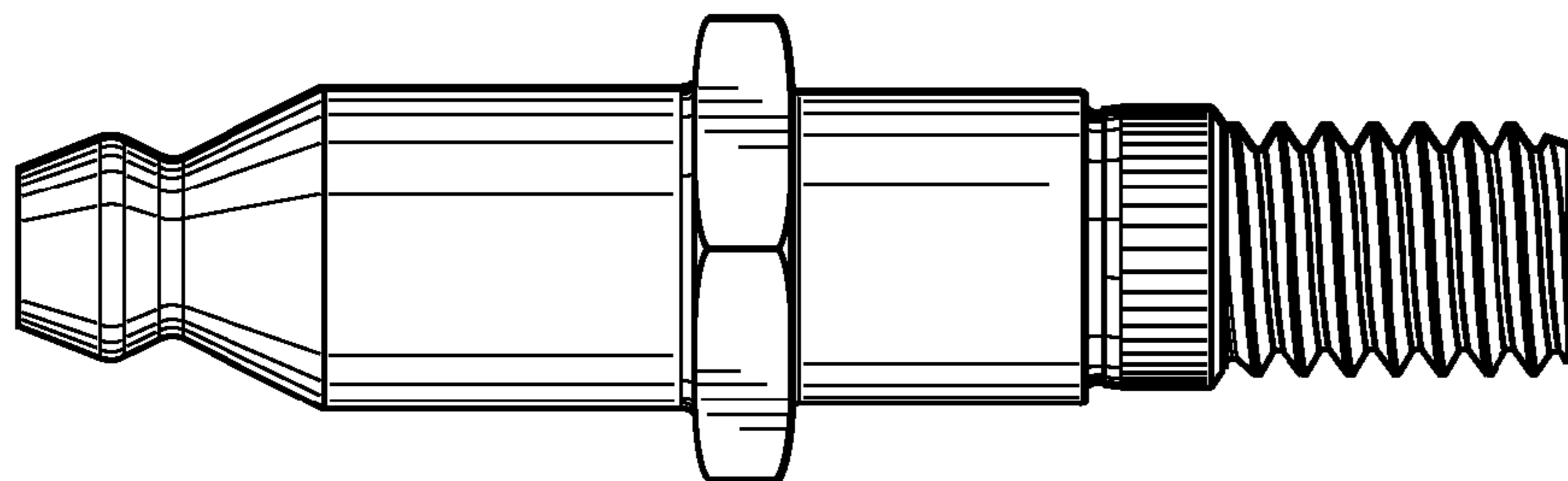


FIG. 5

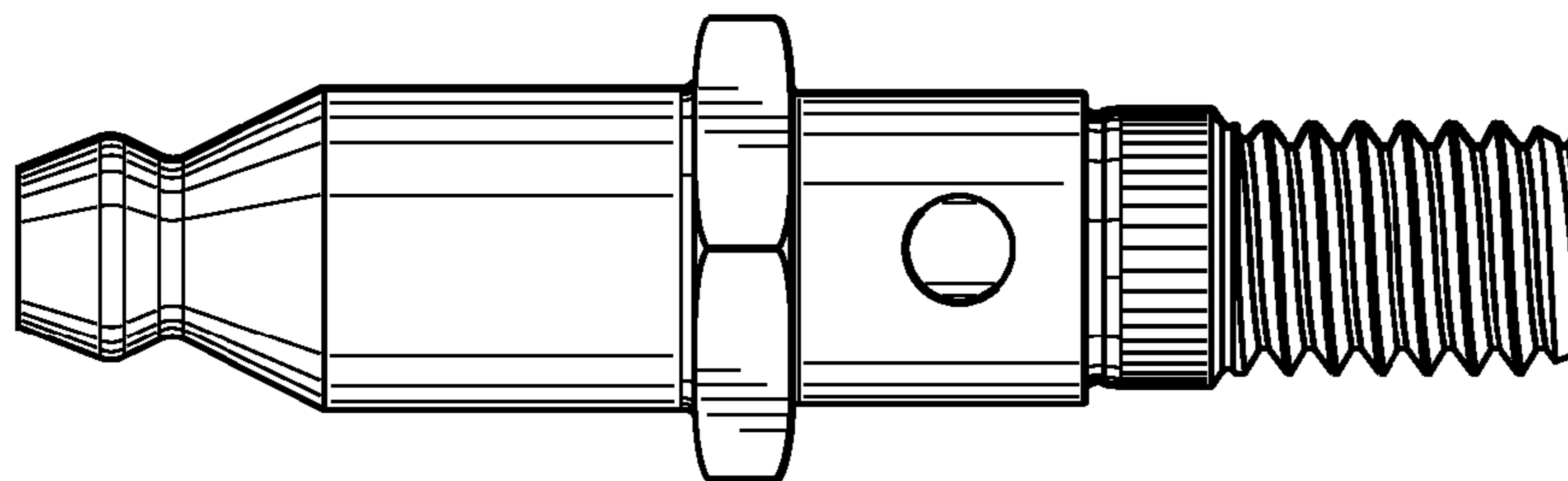


FIG. 4

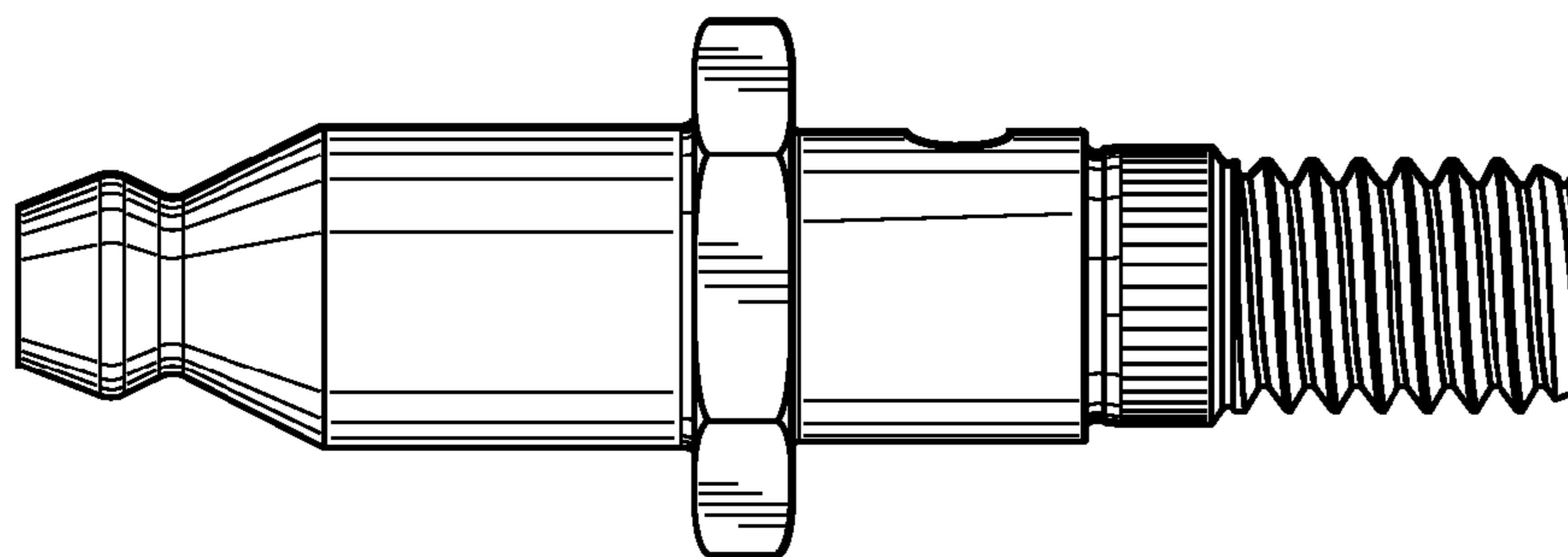


FIG. 3

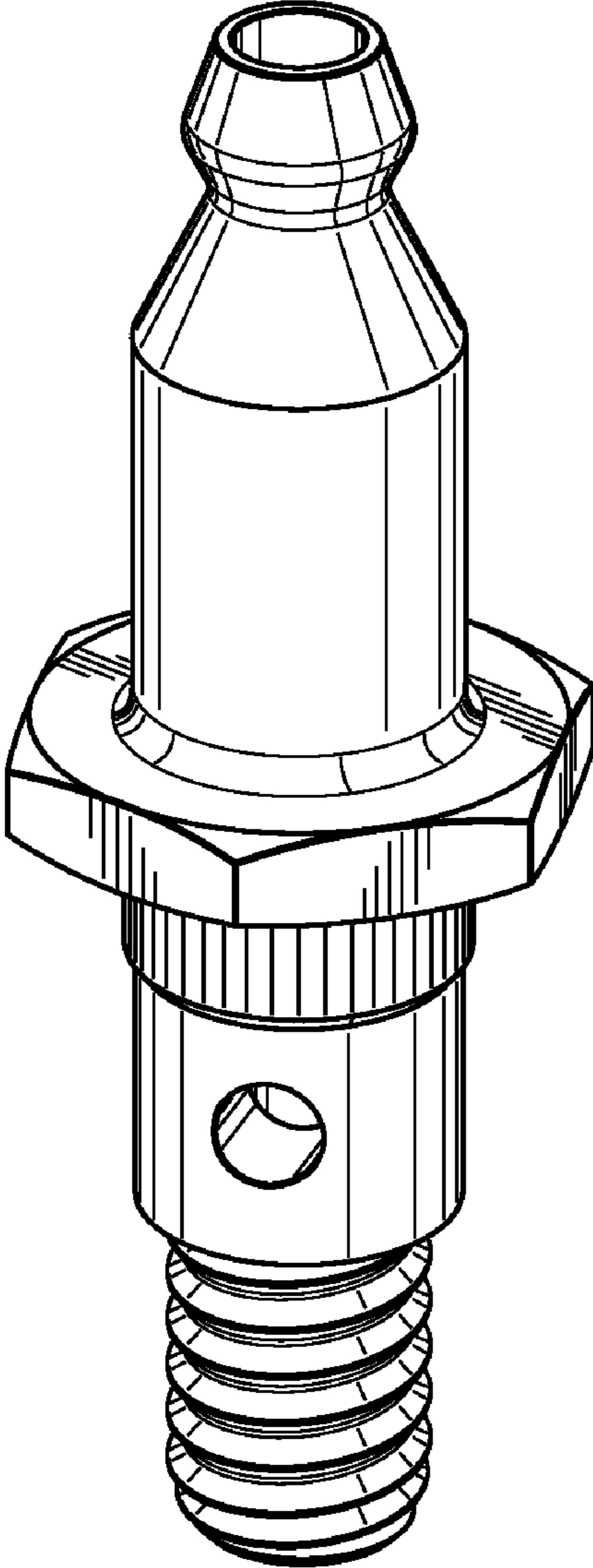


FIG. 8

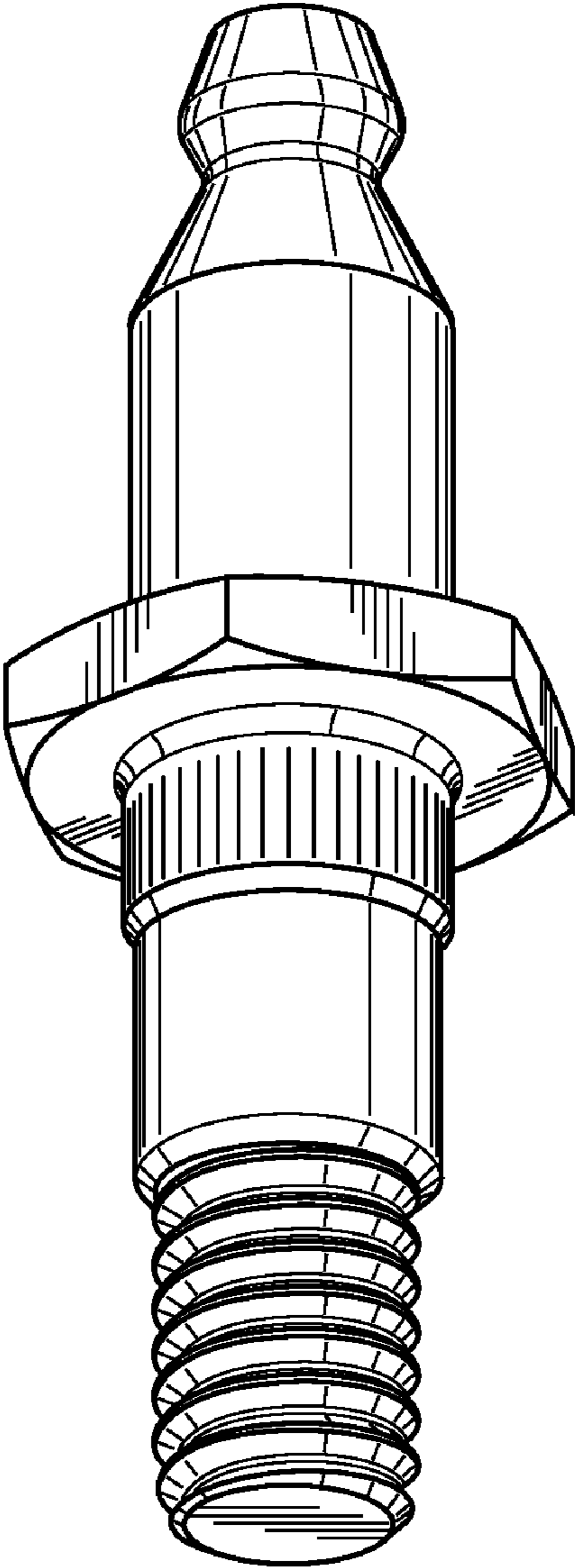


FIG. 9

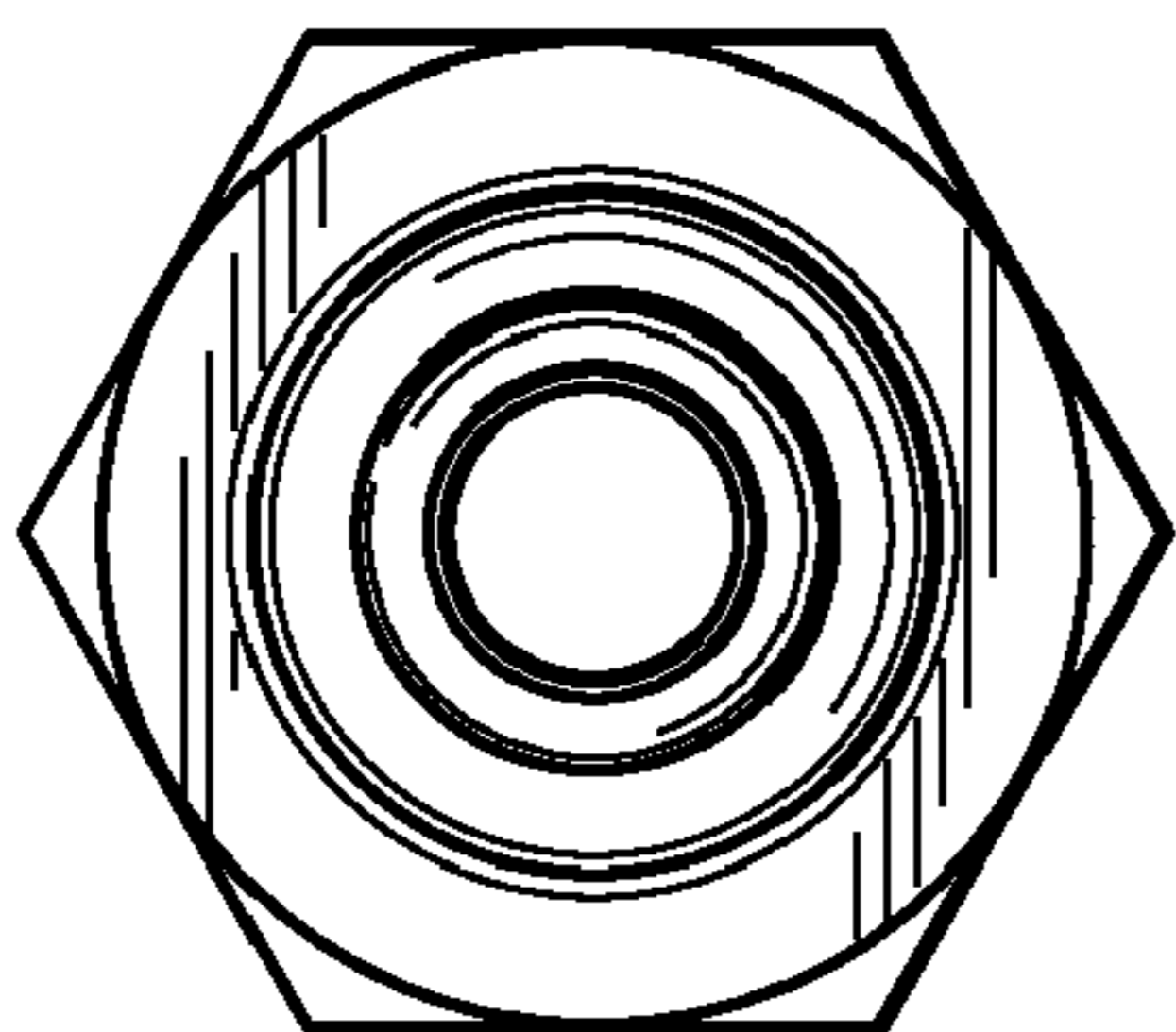


FIG. 13

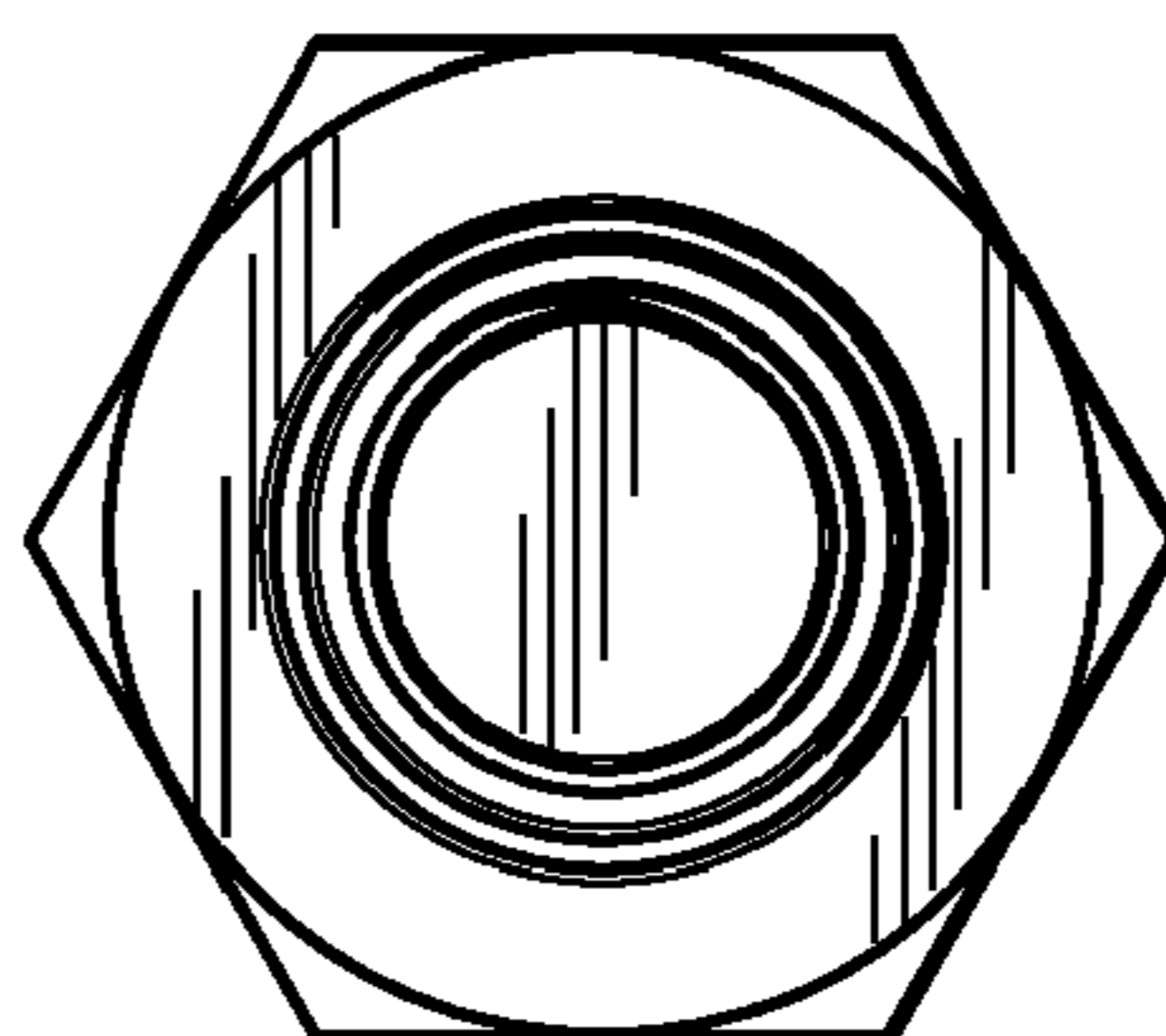


FIG. 14

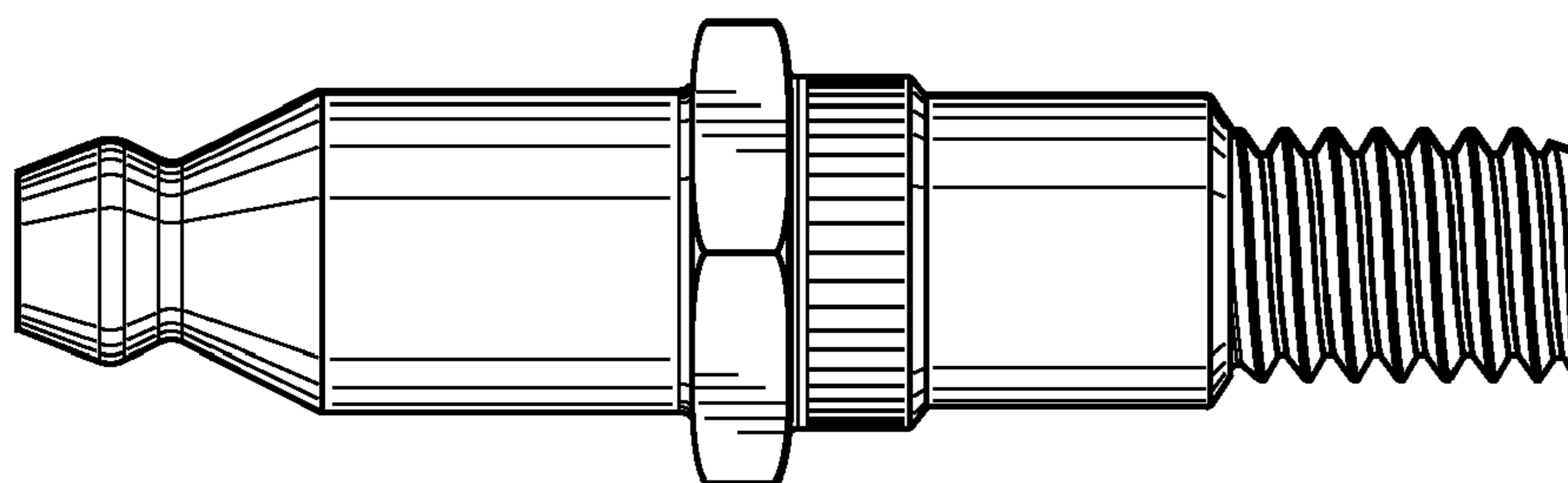


FIG. 12

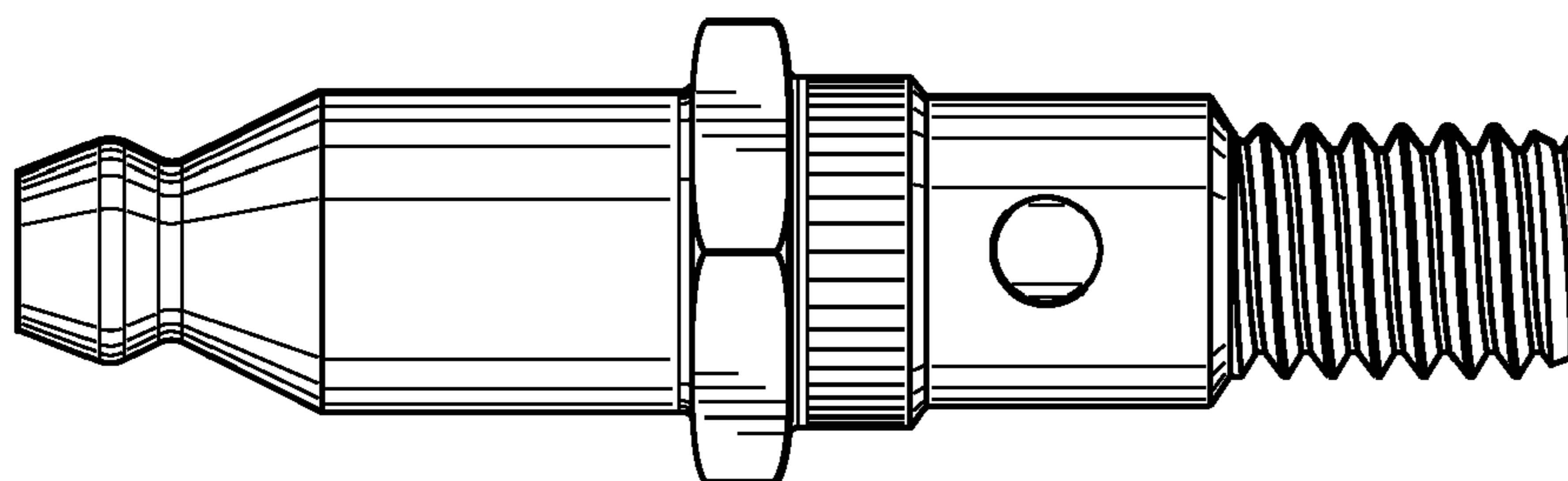


FIG. 11

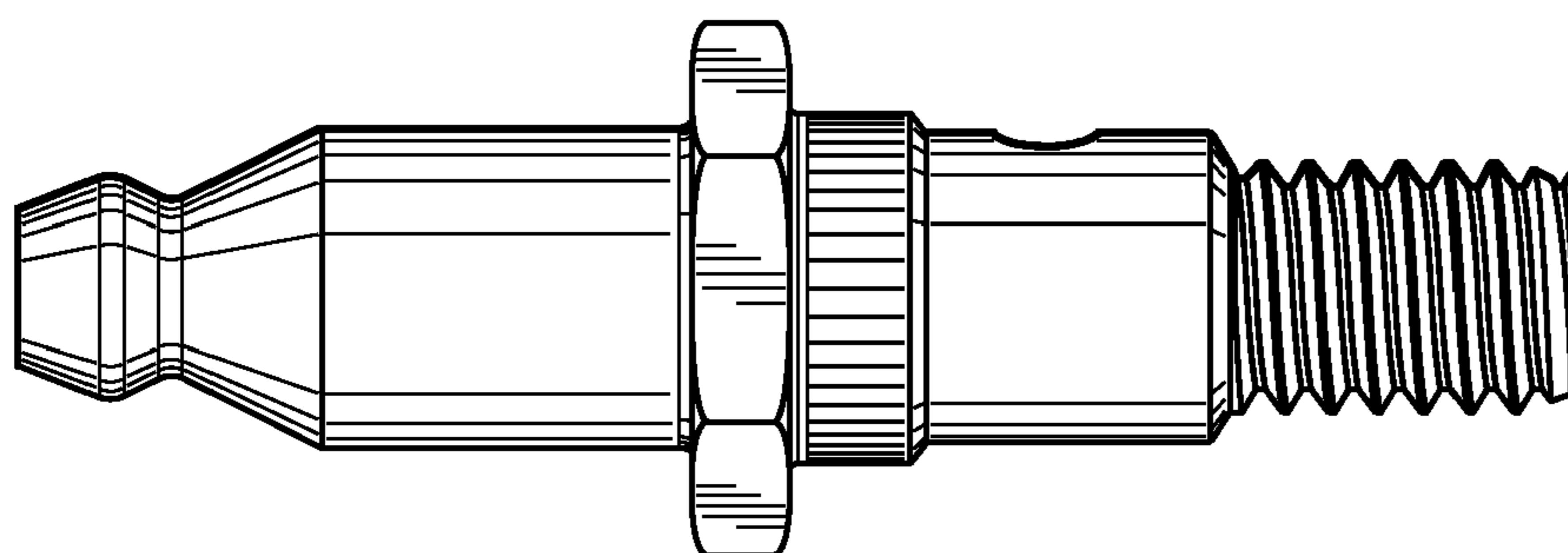


FIG. 10