



US00D633773S

(12) **United States Design Patent**
Yamanaka

(10) **Patent No.:** **US D633,773 S**

(45) **Date of Patent:** **** Mar. 8, 2011**

(54) **HINGE FOR FURNITURE**

(75) Inventor: **Michio Yamanaka**, Tokyo (JP)

(73) Assignee: **Sugatsune Kogyo Co., Ltd.**,
Chiyoda-Ku, Tokyo (JP)

(**) Term: **14 Years**

(21) Appl. No.: **29/342,395**

(22) Filed: **Aug. 24, 2009**

(30) **Foreign Application Priority Data**

Feb. 23, 2009 (JP) 2009-003656

(51) **LOC (9) Cl.** **08-06**

(52) **U.S. Cl.** **D8/323**

(58) **Field of Classification Search** D8/328,
D8/323, 324, 330, 325, 327, 331, 336, 353,
D8/338, 329, 355, 356; D16/334; 4/236,
4/240; 16/309, 235, 275, 244, 379, 390,
16/430, 241, 238, 245, 236, 243, 242, 385,
16/225, 250; 49/381; D23/302, 303; 248/682;
D10/69; 33/347, 365-390; D3/905

See application file for complete search history.

(56) **References Cited**

U.S. PATENT DOCUMENTS

D4,489 S * 11/1870 Tiffany D8/323
2,050,045 A * 8/1936 Eden, Jr. 72/261
D157,294 S * 2/1950 Slope D8/327
D171,075 S * 12/1953 Bellon et al. D8/355
D259,240 S * 5/1981 Myron D8/356
D260,852 S * 9/1981 Loeschen D8/381
D299,616 S * 1/1989 Ferrari D8/323

5,253,390 A * 10/1993 Gross et al. 16/257
5,577,297 A * 11/1996 Lautenschlager et al. 16/382
D395,590 S * 6/1998 Finkelstein et al. D8/323
D451,000 S * 11/2001 Karl D8/323
6,760,955 B2 * 7/2004 Salice 16/382
7,530,591 B2 * 5/2009 Mater et al. 280/507
D611,801 S * 3/2010 Chustak D8/355
2007/0284852 A1 * 12/2007 Mater et al. 280/507

* cited by examiner

Primary Examiner—Cynthia Underwood

(74) *Attorney, Agent, or Firm*—Osha • Liang LLP

(57) **CLAIM**

The ornamental design for a hinge for furniture, as shown and described.

DESCRIPTION

FIG. 1 is a perspective view of the front, left and bottom of a hinge for furniture showing my new design;

FIG. 2 is a front view thereof;

FIG. 3 is a top plan view thereof;

FIG. 4 is a bottom view thereof;

FIG. 5 is a left side view thereof;

FIG. 6 is a right side view thereof;

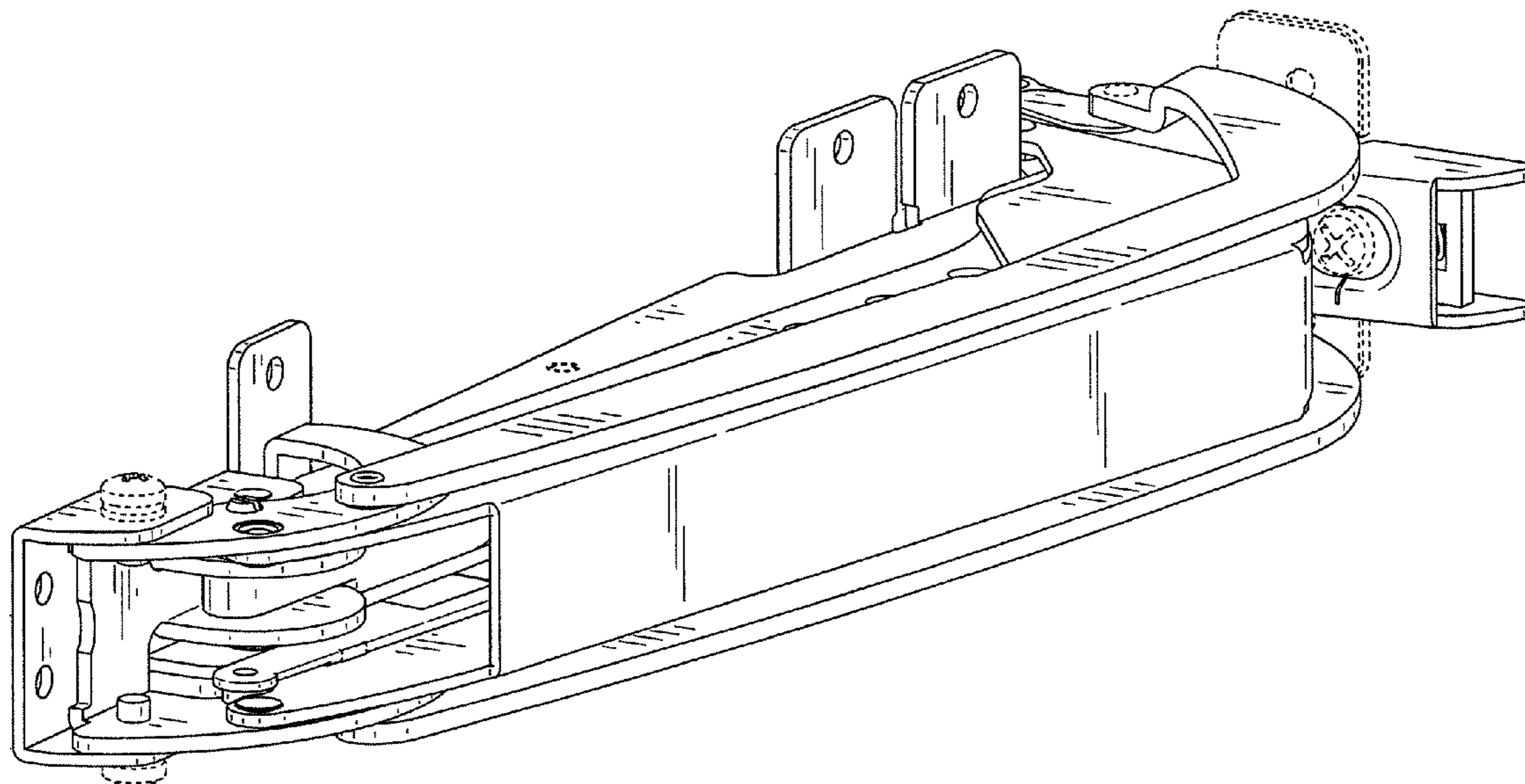
FIG. 7 is an enlarged left side view thereof;

FIG. 8 is an enlarged right side view thereof; and,

FIG. 9 is a reference view of usage thereof.

The elements shown in broken lines are for illustrative purposes only and form no part of the claimed design.

1 Claim, 7 Drawing Sheets



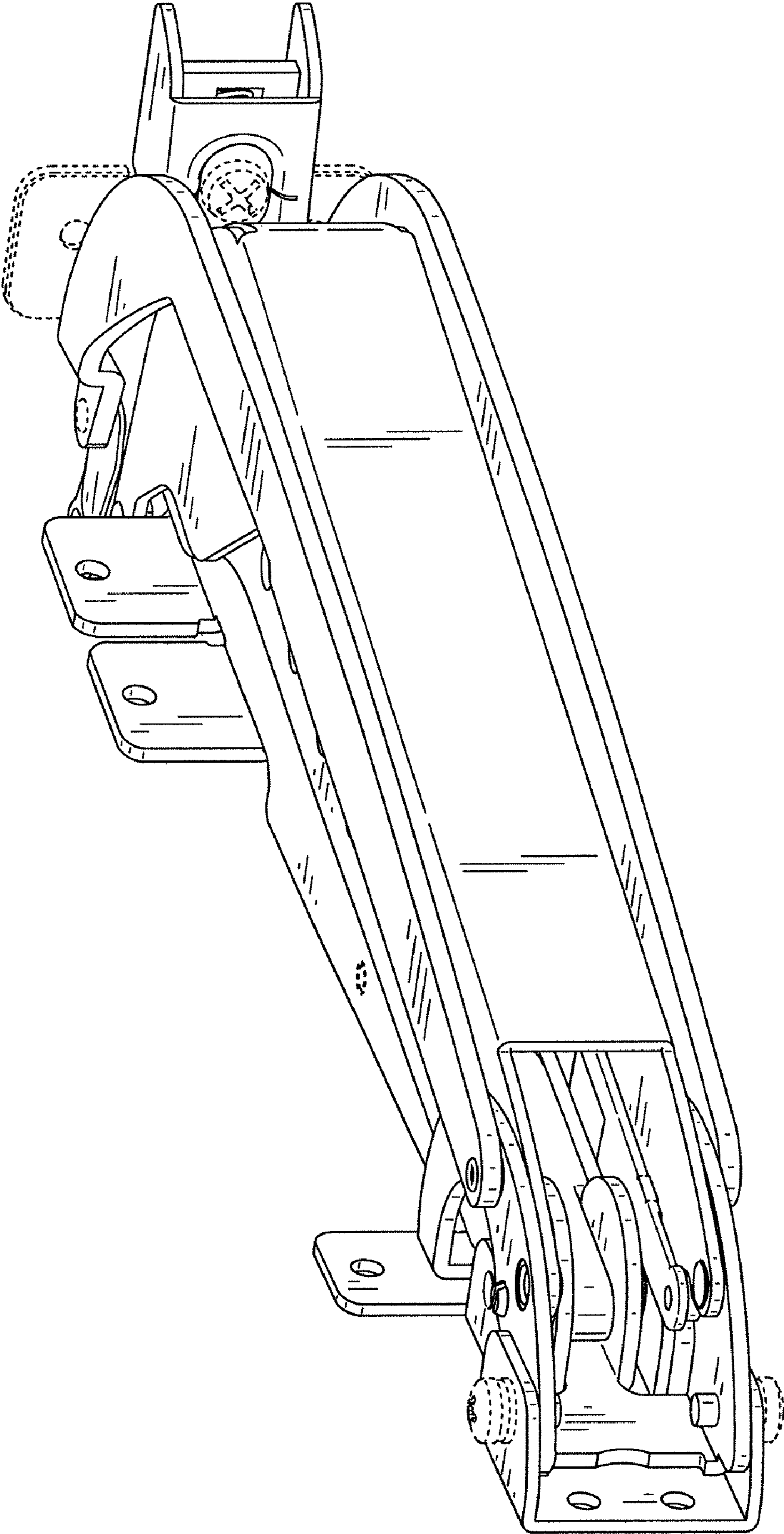


FIG. 1

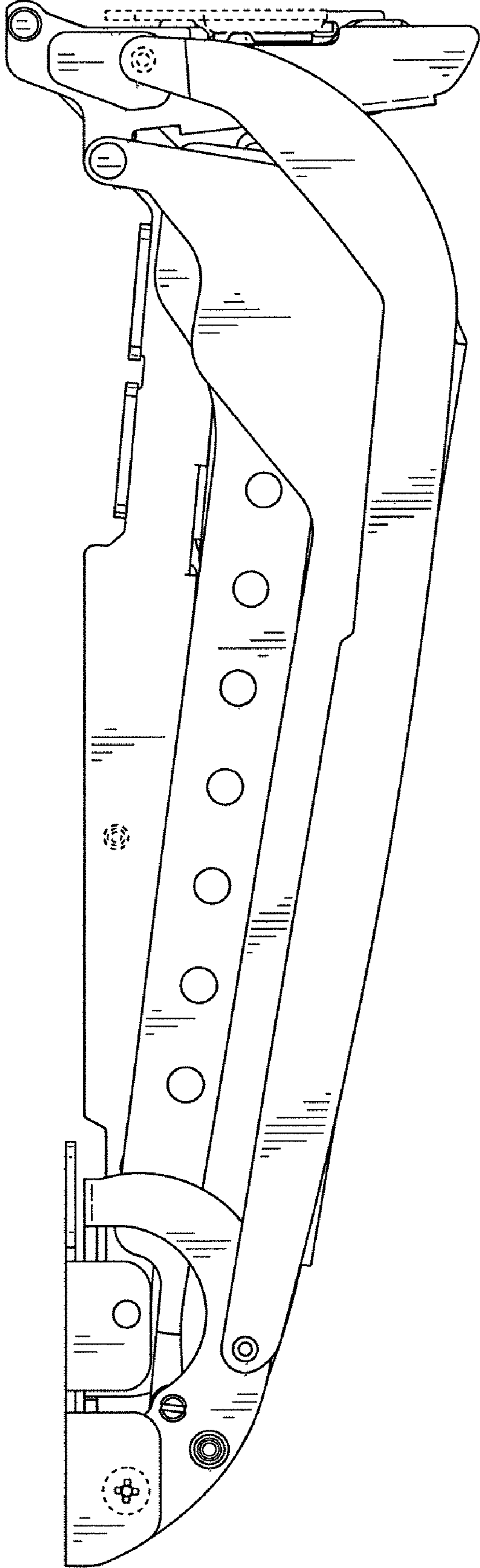


FIG. 2

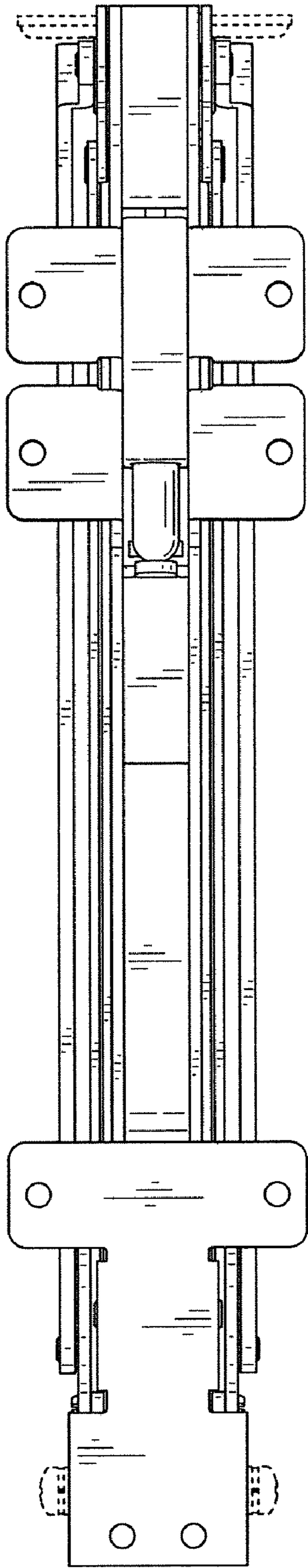


FIG. 3

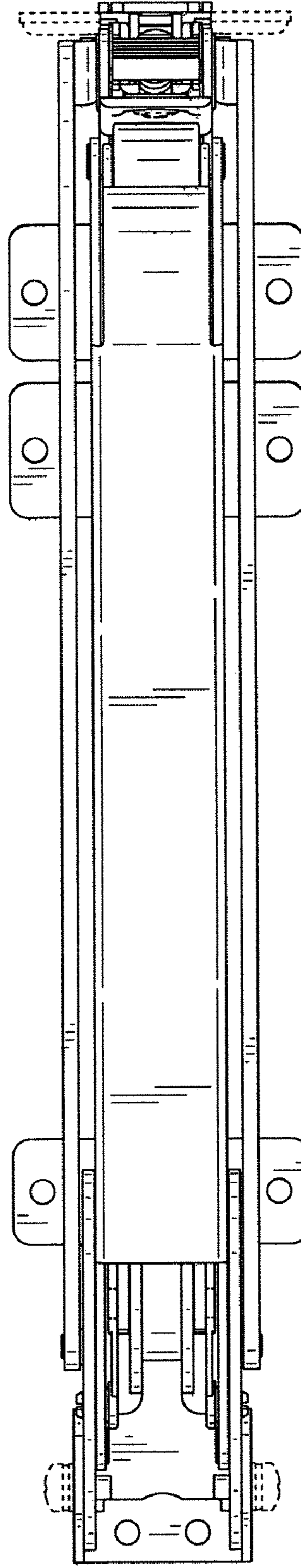


FIG. 4

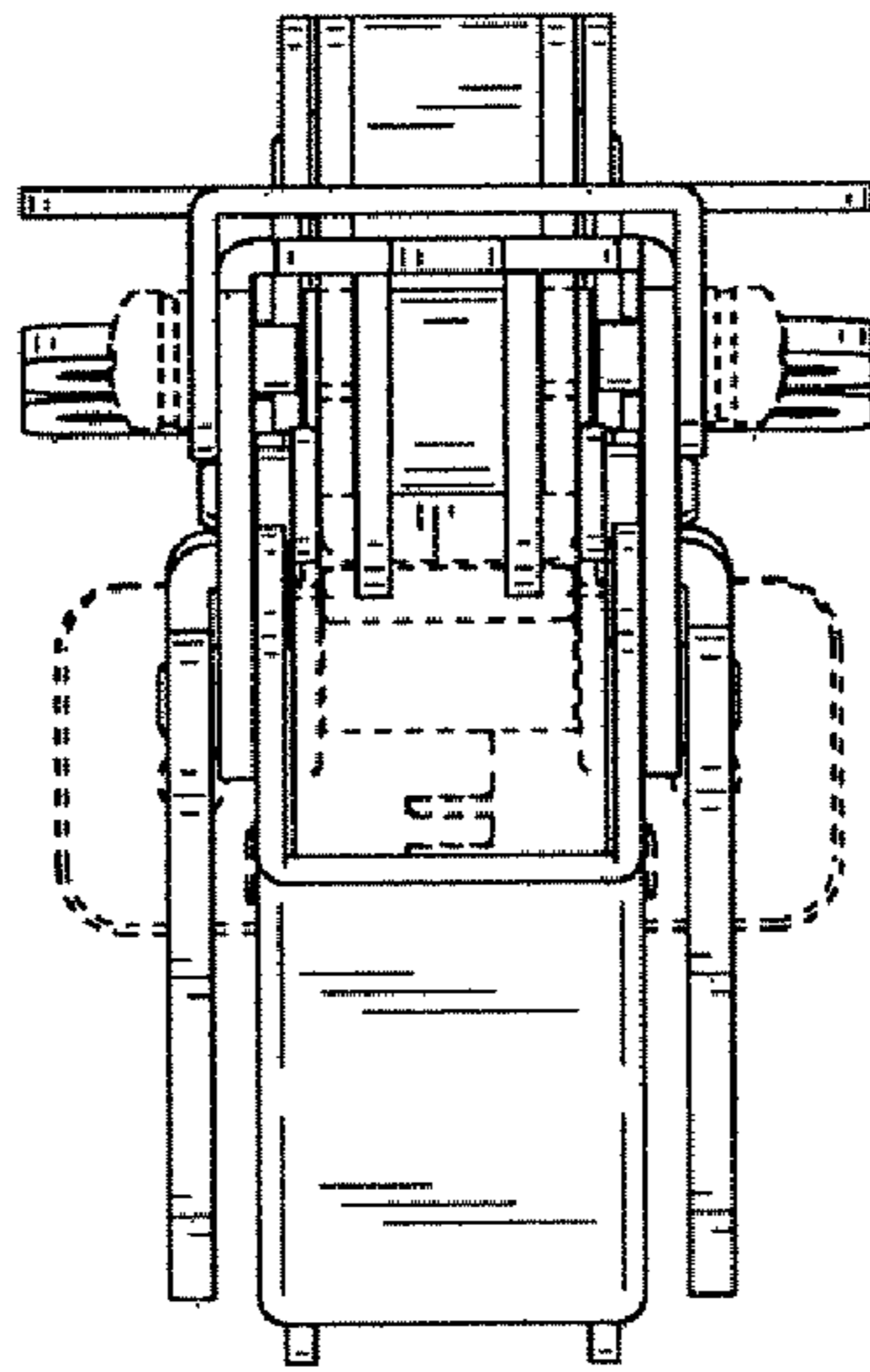


FIG. 5

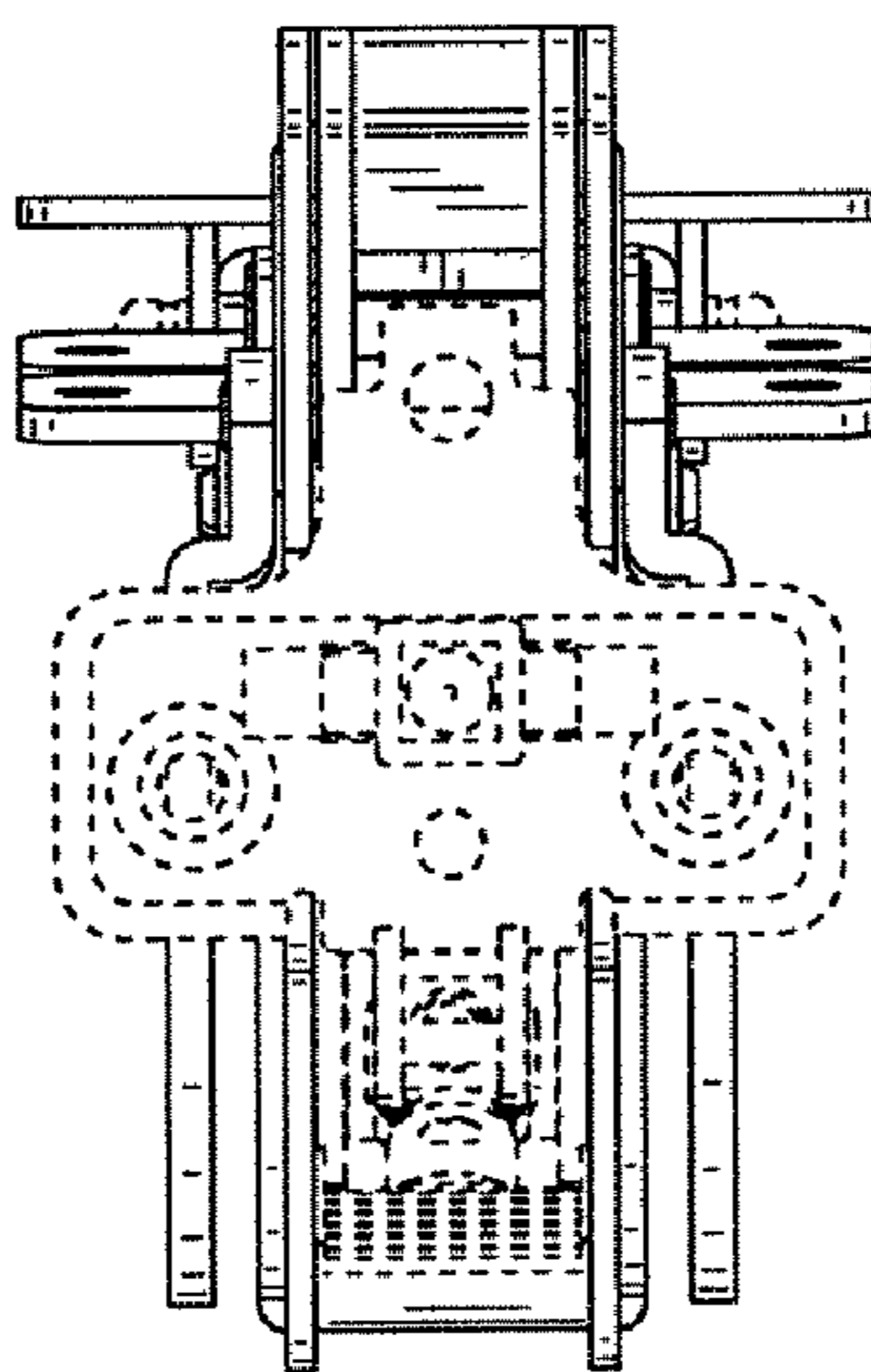


FIG. 6

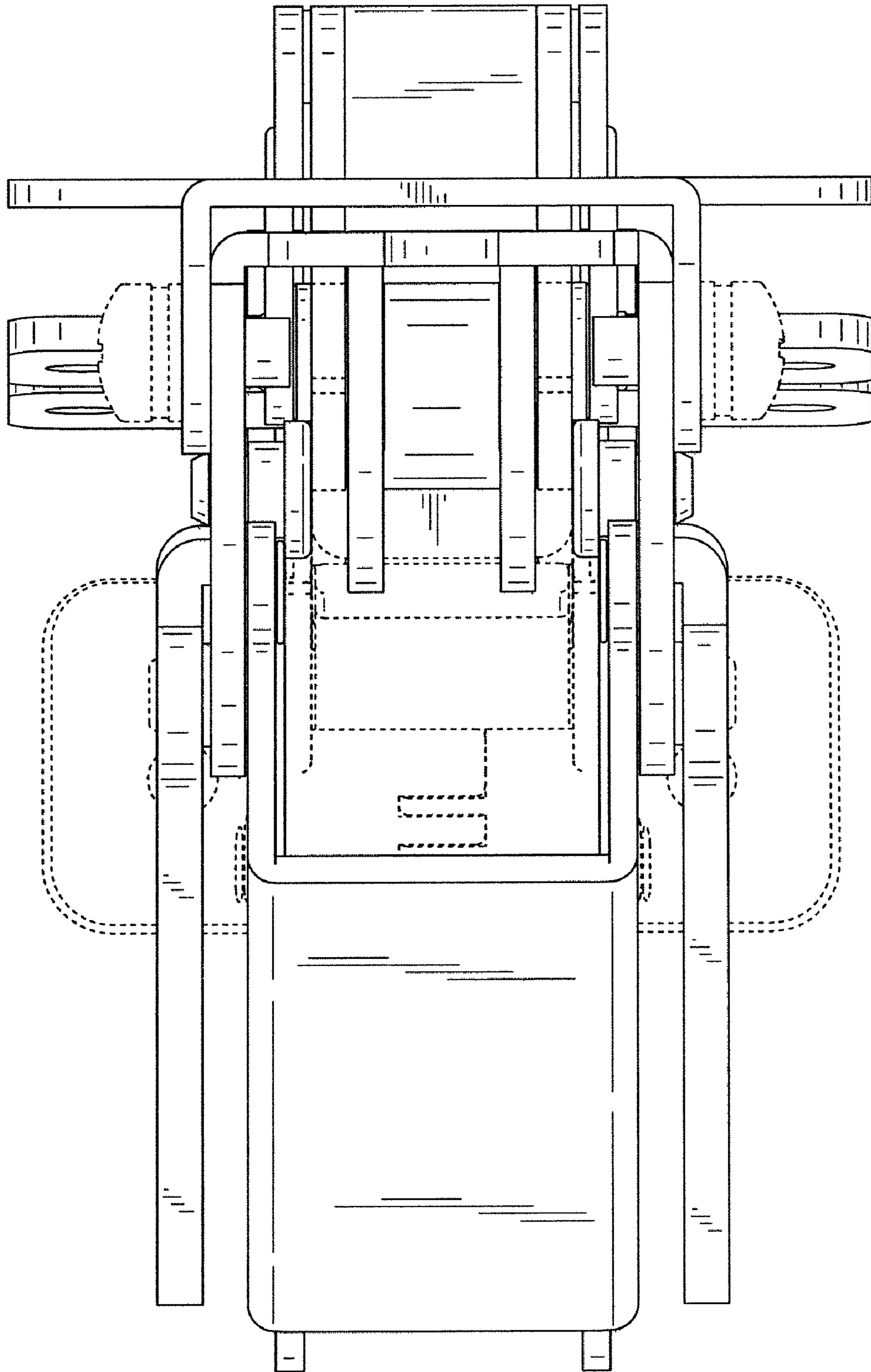


FIG. 7

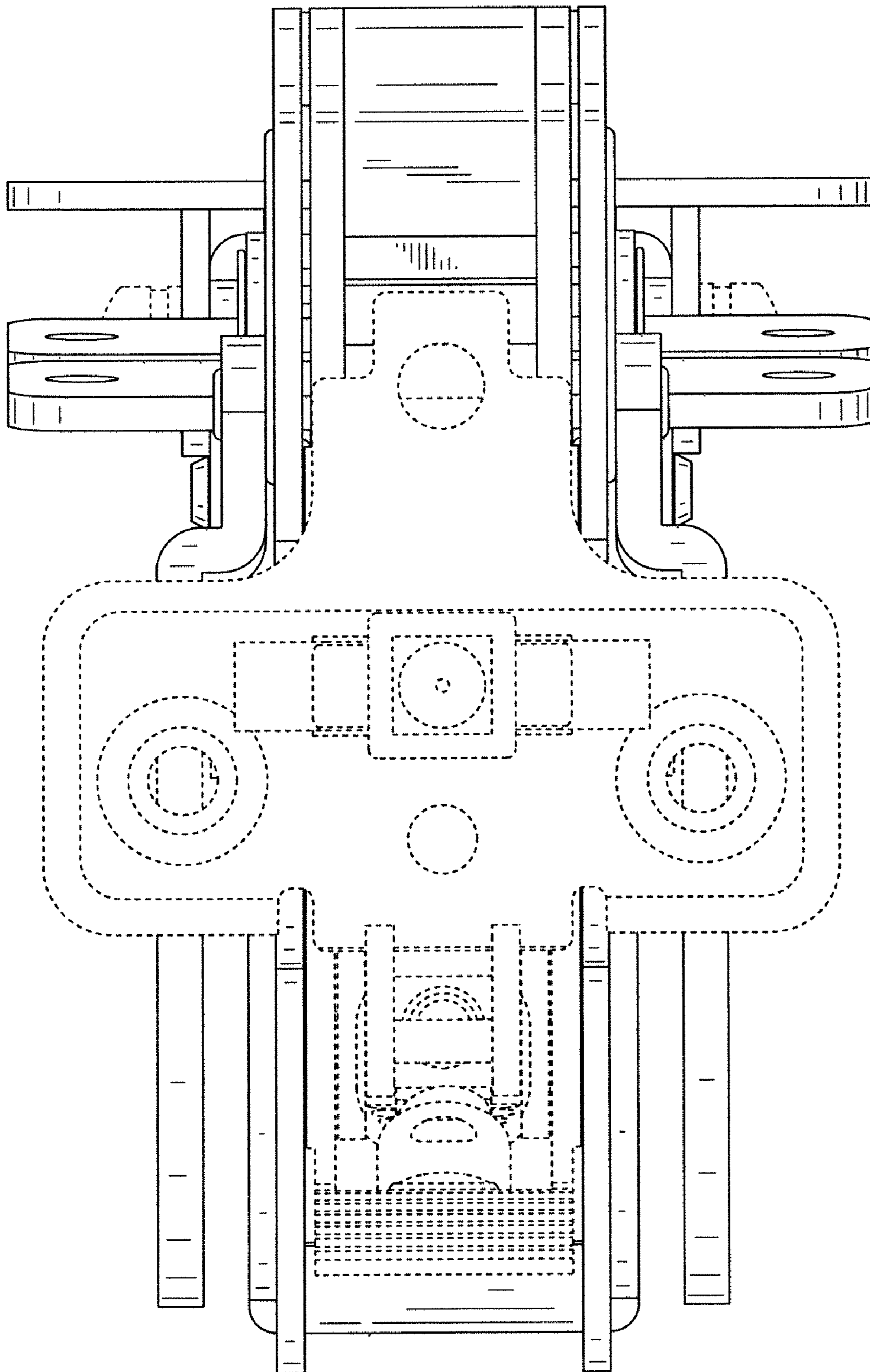


FIG. 8

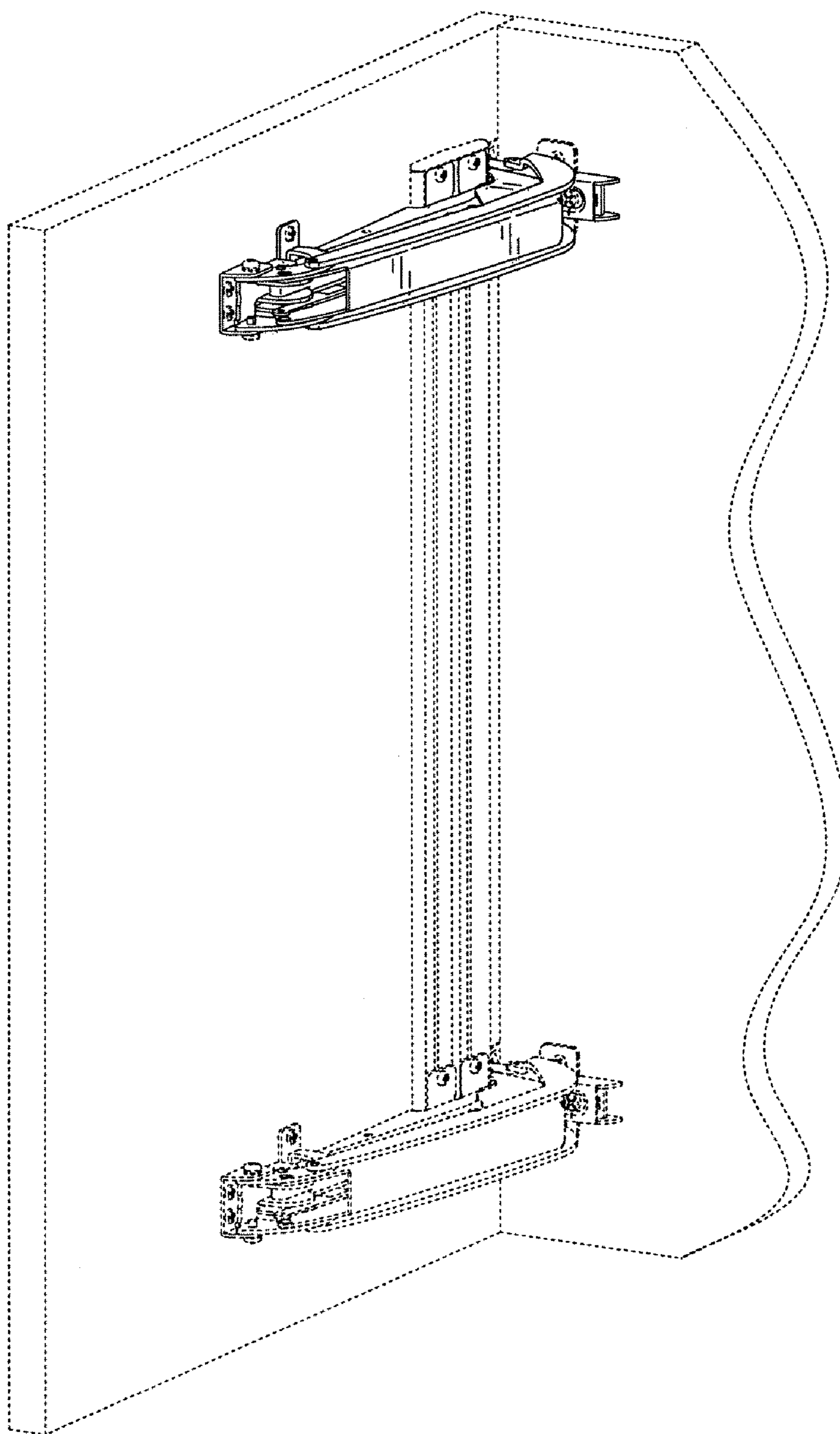


FIG. 9