



US00D633772S

(12) **United States Design Patent**
Behler

(10) **Patent No.:** **US D633,772 S**
(45) **Date of Patent:** **** Mar. 8, 2011**

(54) **KNIFE HANDLE**
(75) Inventor: **Brett G. Behler**, Cincinnati, OH (US)
(73) Assignee: **Kai U.S.A. Ltd.**, Tualatin, OR (US)
(**) Term: **14 Years**
(21) Appl. No.: **29/381,648**

D479,114 S 9/2003 Onion D8/99
D488,045 S 4/2004 Onion D8/99
D488,697 S * 4/2004 Rae D8/99
D489,956 S 5/2004 Rae D8/99
D505,057 S 5/2005 Ralph D8/99
D530,180 S * 10/2006 Klecker et al. D8/99
D539,631 S * 4/2007 Taylor D8/107
D541,128 S 4/2007 Farland D8/99
D553,469 S * 10/2007 Onion D8/99

(Continued)

(22) Filed: **Dec. 21, 2010**
(51) **LOC (9) Cl.** **08-03**
(52) **U.S. Cl.** **D8/99**
(58) **Field of Classification Search** D7/649;
D8/95-99, 105, 107; D22/118; 30/154-162,
30/329-331
See application file for complete search history.

OTHER PUBLICATIONS

Leopard Cub & Benchmark Leopard. A.G. Russell 1994 Christmas Catalog of Knives, p. 23.*

(Continued)

Primary Examiner — Philip S Hyder
Assistant Examiner — Roselynn Cody
(74) *Attorney, Agent, or Firm* — Seed IP Law Group PLLC

(56) **References Cited**

U.S. PATENT DOCUMENTS

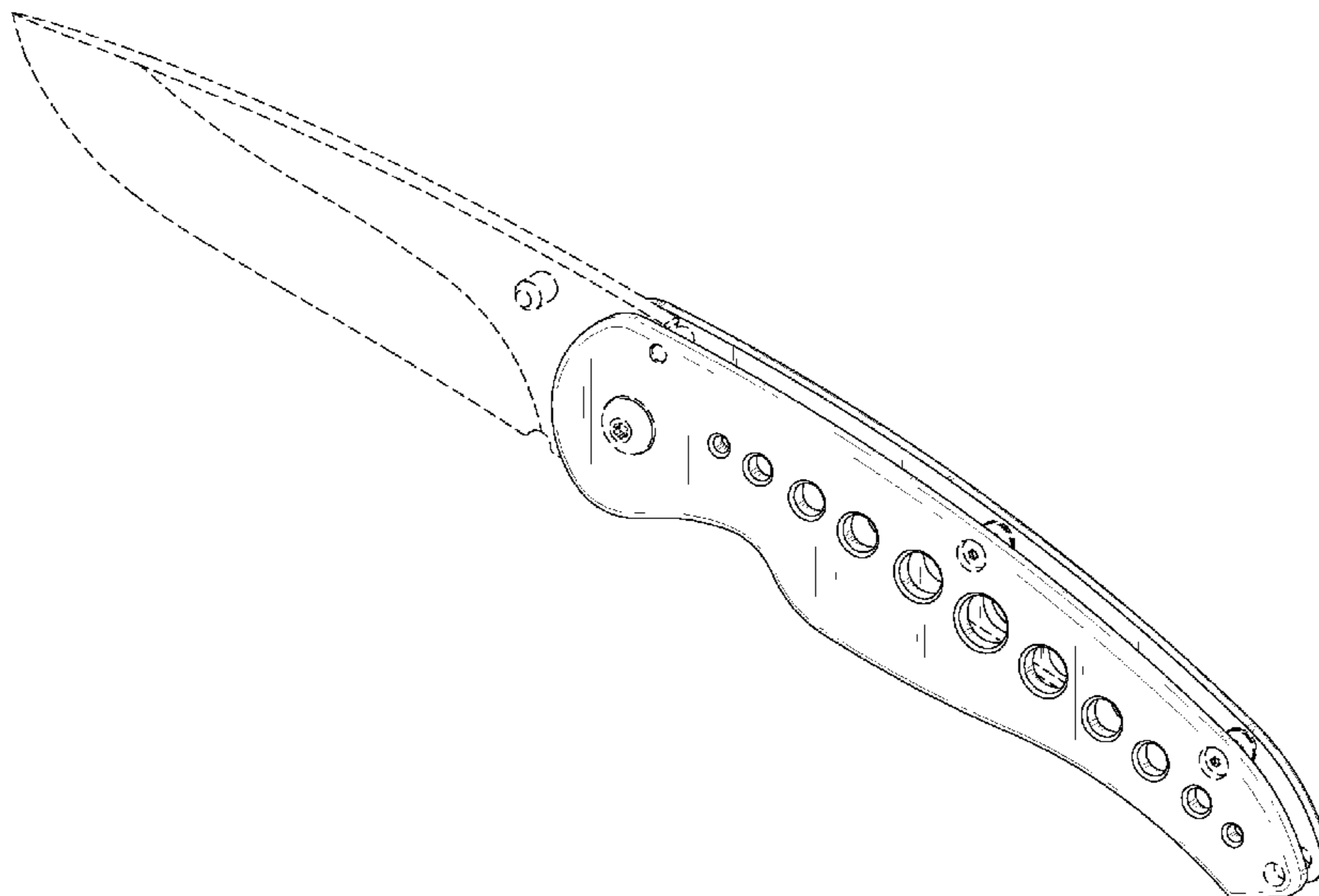
D254,288 S 2/1980 Pharr, Jr. D8/99
D257,612 S 12/1980 Goldin et al. D8/99
D272,513 S 2/1984 Kagebayashi D8/99
D276,887 S 12/1984 Sakurai D8/99
D280,178 S 8/1985 Lang D8/99
D280,287 S 8/1985 Collins D8/99
D304,154 S 10/1989 Osterhout D8/99
D306,550 S 3/1990 Inman D8/99
D306,687 S 3/1990 Inman D8/99
D317,037 S * 5/1991 Koshiishi D22/118
D361,254 S 8/1995 Silberstein D8/99
D367,599 S 3/1996 Sakai D8/99
D371,289 S 7/1996 Huang D8/107
D383,519 S 9/1997 Lainhart D22/118
D432,889 S 10/2000 Chu D8/99
D433,914 S 11/2000 Chu D8/99
D438,085 S 2/2001 Onion D8/99
6,276,063 B1 8/2001 Chen 30/161
D454,043 S 3/2002 Onion D8/99
D454,768 S 3/2002 Onion D8/99
D461,387 S 8/2002 Glesser D8/99
D467,783 S 12/2002 Onion D8/107
D473,617 S * 4/2003 Rae D22/118
D474,669 S 5/2003 Onion D8/99

(57) **CLAIM**
The ornamental design for a knife handle, substantially as shown and described.

DESCRIPTION

FIG. 1 is an isometric view of a knife handle, showing my new design.
FIG. 2 is a right side elevational view thereof.
FIG. 3 is a left side elevational view thereof.
FIG. 4 is a top plan view thereof.
FIG. 5 is a bottom plan view thereof.
FIG. 6 is a front elevational view thereof; and,
FIG. 7 is a rear elevational view thereof.
Shading lines shown in the drawings are intended to represent the approximate three-dimensional contour of the design, and are not intended to indicate surface decoration. The broken lines in the figures are for illustrative purposes only and form no part of the claimed design.

1 Claim, 4 Drawing Sheets



US D633,772 S

Page 2

U.S. PATENT DOCUMENTS

D554,964 S 11/2007 Taylor D8/99
D557,100 S * 12/2007 Stokes et al. D8/105
D560,995 S * 2/2008 Onion D8/99
D571,181 S * 6/2008 Klecker et al. D8/105
D573,864 S 7/2008 Glesser D8/99
D576,002 S * 9/2008 Barber et al. D8/22
7,437,822 B2 10/2008 Flagg et al. 30/161
D580,251 S 11/2008 Watson D8/99
D586,198 S 2/2009 MacNair et al. D8/99
D588,433 S 3/2009 Van Deursen D8/99
D588,885 S * 3/2009 Barber et al. D8/22
7,513,044 B2 * 4/2009 Lake 30/155
D593,838 S * 6/2009 Williams D8/99
D596,911 S * 7/2009 Carpenter et al. D8/55

7,555,839 B2 * 7/2009 Koelewyn 30/160
D607,530 S 1/2010 Craffey D22/118
D626,810 S * 11/2010 Steineckert et al. D8/55
2009/0271989 A1 * 11/2009 VanHoy 30/159
2010/0299933 A1 * 12/2010 Vellekamp 30/161

OTHER PUBLICATIONS

Kershaw Knives "Vapor I," retrieved on Nov. 16, 2010, from <http://www.kershawknives.com/productdetails.php?id=94>

&brand=kershawurl, first sold at least as early as 2003, 1 page.

Kershaw Knives "Vapor II" retrieved on Nov. 16, 2010, from <http://www.knivesplus.com/kershaw-vapor-ke-1650blkst.html>, first sold at least as early as 2003, 1 page.

* cited by examiner

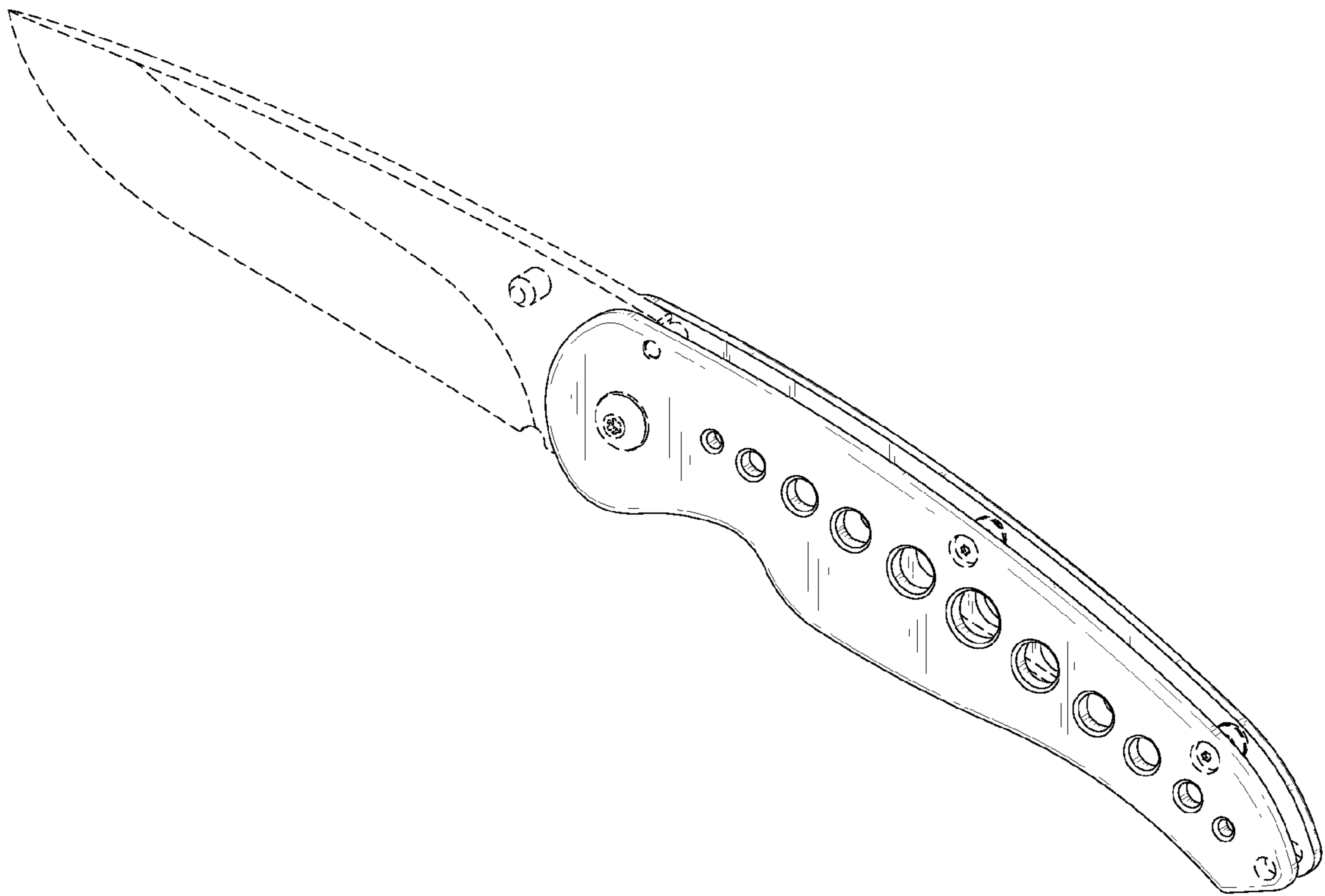


FIG. 1

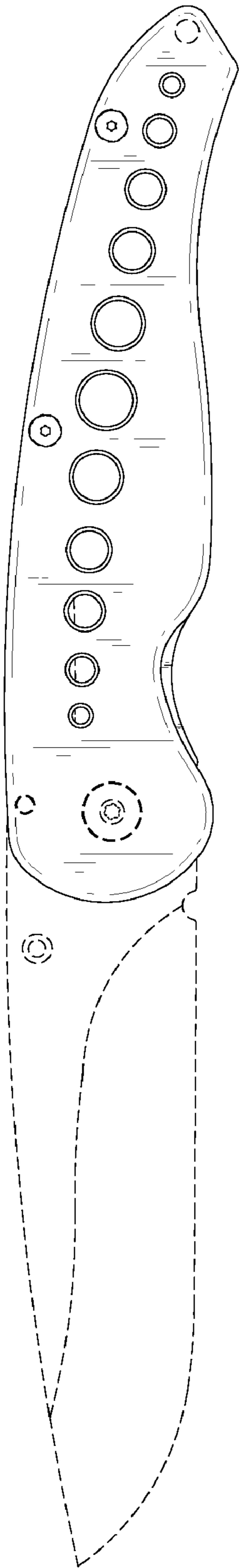


FIG. 2

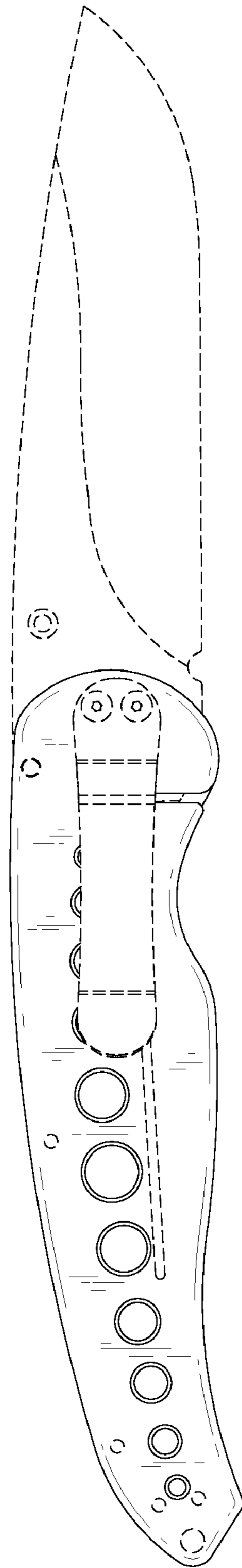


FIG. 3

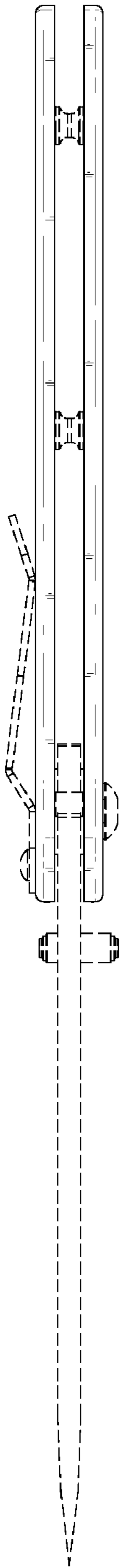


FIG. 4

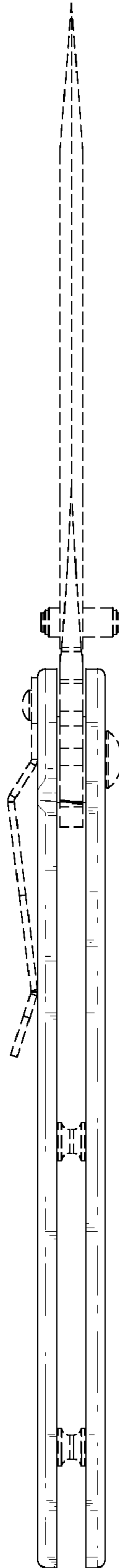


FIG. 5

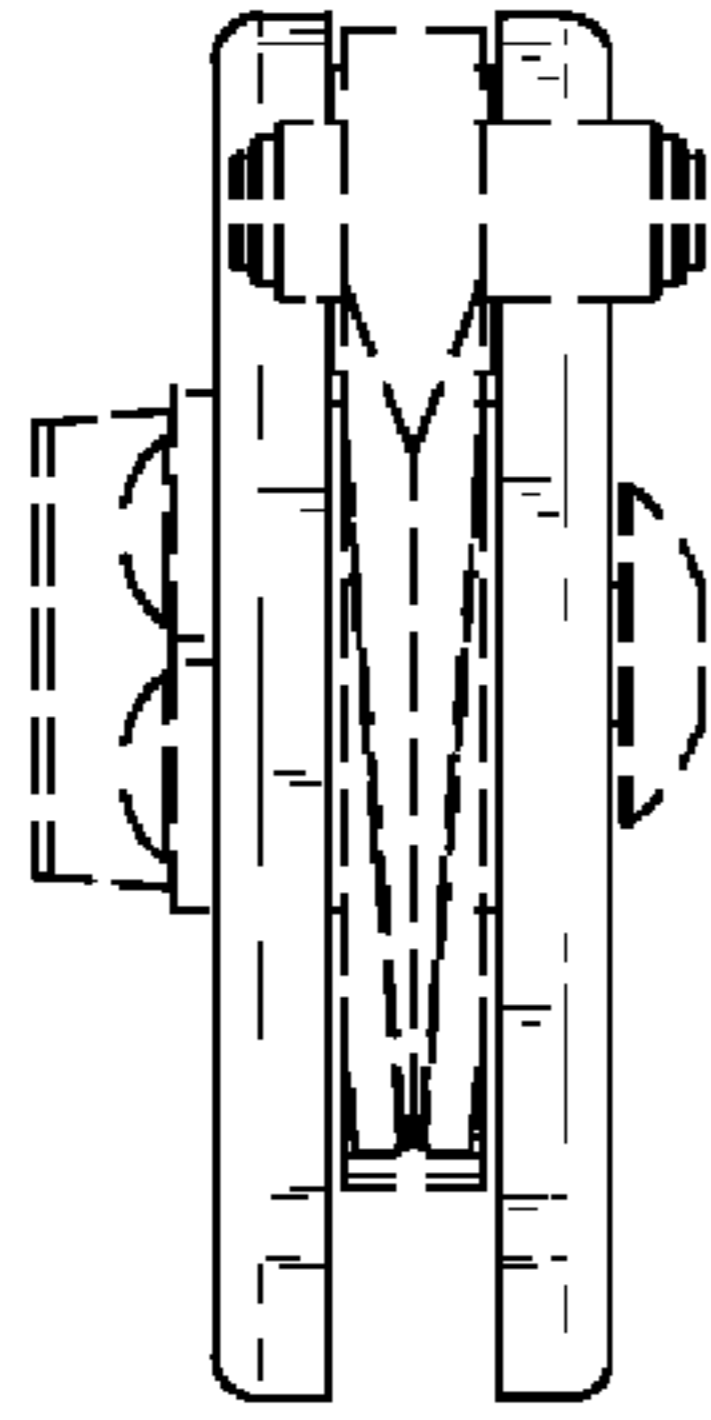


FIG. 6

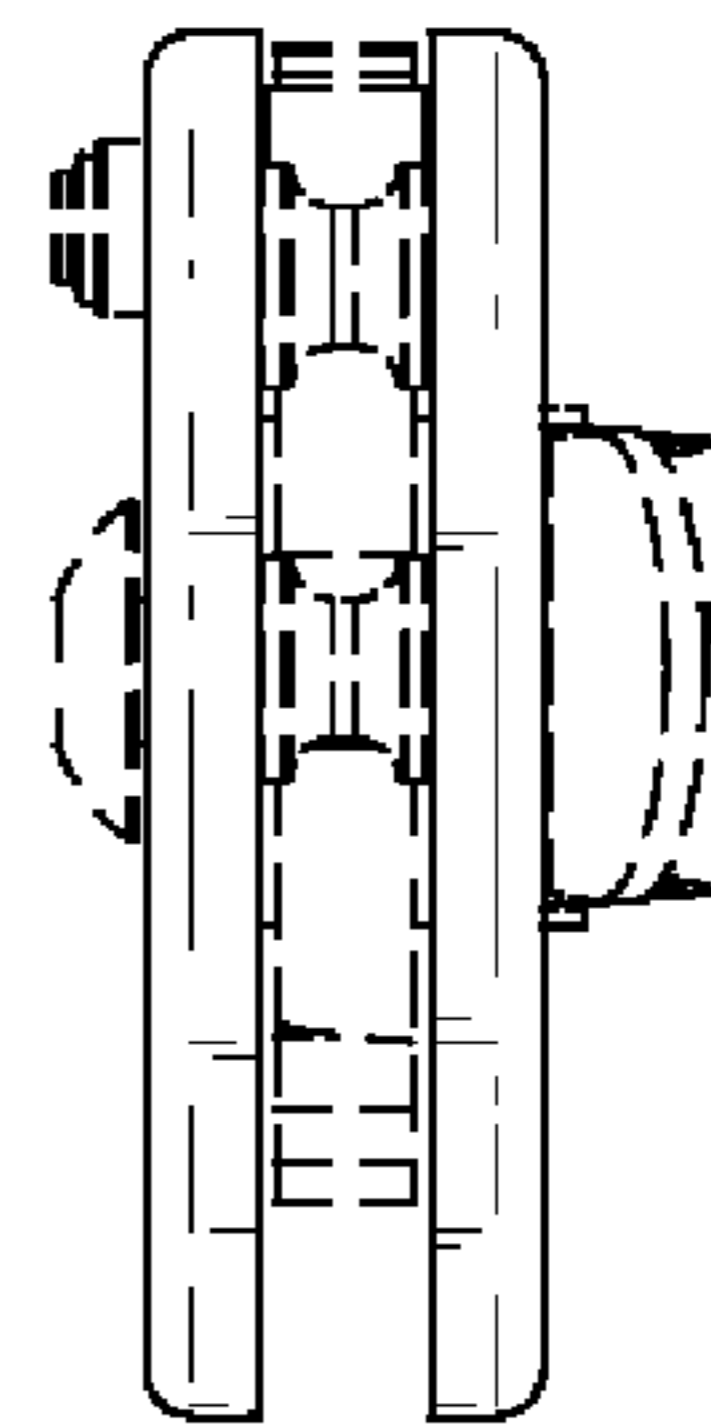


FIG. 7