



US00D633769S

(12) **United States Design Patent**  
**Evatt et al.**

(10) **Patent No.:** **US D633,769 S**  
(45) **Date of Patent:** **\*\* Mar. 8, 2011**

(54) **TOOL ARBOR**

(75) Inventors: **Thomas Evatt**, Six Mile, SC (US);  
**Robert E. McCracken**, Anderson, SC  
(US); **Anthony T. Tocco**, Easley, SC  
(US)

(73) Assignee: **Techtronic Power Tools Technology  
Limited (VG)**

(\*\*) Term: **14 Years**

(21) Appl. No.: **29/366,944**

(22) Filed: **Aug. 2, 2010**

2,854,042 A	9/1958	Robinson
2,912,021 A	11/1959	Gommel
2,997,819 A	8/1961	Schacht
3,041,797 A	7/1962	Moffly
3,308,703 A	3/1967	Sauer
3,440,915 A	4/1969	Weyant

(Continued)

FOREIGN PATENT DOCUMENTS

DE 10061559 A1 6/2002

**Related U.S. Application Data**

(62) Division of application No. 29/352,312, filed on Dec.  
18, 2009, now Pat. No. Des. 623,034.

(Continued)

(51) **LOC (9) Cl.** ..... **08-05**

(52) **U.S. Cl.** ..... **D8/70**

(58) **Field of Classification Search** ..... D8/70;  
29/244; 81/451-457, 436, 460; 411/29,  
411/340, 38, 34, 37, 341, 342, 344, 345,  
411/346, 347, 60, 61, 387; 7/165; 279/76,  
279/143; 407/49; 408/143

*Primary Examiner*—Antoine D Davis

(74) *Attorney, Agent, or Firm*—Michael Best & Friedrich  
LLP

See application file for complete search history.

(57) **CLAIM**

The ornamental design for a tool arbor, as shown and  
described.

(56) **References Cited**

**DESCRIPTION**

U.S. PATENT DOCUMENTS

81,661 A	9/1868	McDonald
197,650 A	11/1877	Milligan
223,103 A	12/1879	Berstler
241,178 A	5/1881	Amazeen
390,134 A	9/1888	Miller
519,892 A	5/1894	Newton
742,000 A	10/1903	Brooks
1,947,662 A	2/1934	Robinson
2,132,917 A	10/1938	Albertson
2,550,768 A	5/1951	Burleigh
2,649,868 A	8/1953	Gommel
2,822,648 A	2/1958	Metzger et al.
2,846,826 A	8/1958	Miller

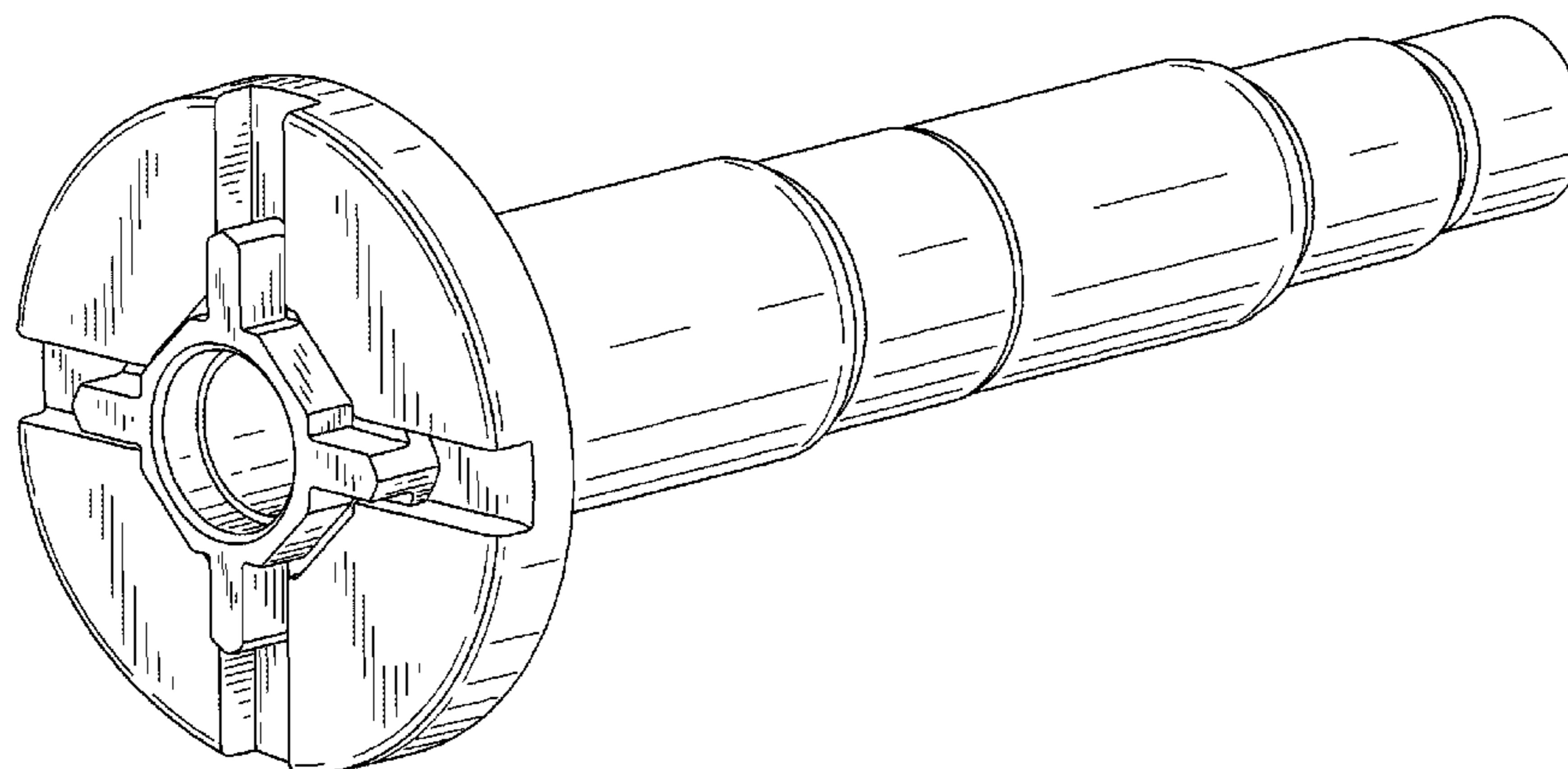
FIG. 1 is a perspective view of a tool arbor embodying the  
invention.

FIG. 2 is a top view of the tool arbor shown in FIG. 1, the  
bottom view, left side view and right side view being substan-  
tially the same as the top view.

FIG. 3 is a front view of the tool arbor shown in FIG. 1; and,  
FIG. 4 is a rear view of the tool arbor shown in FIG. 1.

The present application is directed to the shape and contour of  
the design illustrated in the drawings.

**1 Claim, 3 Drawing Sheets**



# US D633,769 S

U.S. PATENT DOCUMENTS					
		6,332,836	B1	12/2001	Tseng
		6,340,022	B1	1/2002	Schroer
		6,349,446	B1	2/2002	Krause et al.
		6,361,424	B1	3/2002	Manor et al.
		6,371,837	B1	4/2002	Luedeke
		6,379,236	B1	4/2002	Takizawa et al.
		6,401,342	B1	6/2002	Kloss et al.
		6,503,253	B1	1/2003	Fletcher et al.
		6,520,055	B1 *	2/2003	Reusch et al. .... 81/460
		6,523,214	B1	2/2003	Kaiser
		6,533,650	B2	3/2003	Yoshida et al.
		6,569,001	B2	5/2003	Rudolf et al.
		6,629,484	B2	10/2003	Soyama et al.
		6,640,377	B2	11/2003	Krause et al.
		6,699,112	B2	3/2004	Bergner et al.
		6,723,101	B2	4/2004	Fletcher et al.
		6,749,493	B2	6/2004	Wuensch
		D493,683	S	8/2004	Hortenbury et al.
		6,780,093	B2	8/2004	Krondorfer et al.
		6,786,811	B2	9/2004	Krondorfer et al.
		6,796,888	B2	9/2004	Jasch
		6,802,127	B2	10/2004	Thomaschewski
		6,802,764	B2	10/2004	Besch
		6,814,655	B2	11/2004	Hofmann et al.
		6,814,657	B2	11/2004	Spangenberg et al.
		6,827,074	B2	12/2004	Gardner
		6,860,792	B2	3/2005	Krondorfer et al.
		6,869,346	B2	3/2005	Wendt et al.
		6,902,471	B2	6/2005	Krondorfer et al.
		6,942,558	B2	9/2005	Wuensch
		6,942,560	B2	9/2005	Hofmann et al.
		6,945,862	B2	9/2005	Jasch et al.
		7,000,606	B2	2/2006	Gardner
		7,077,734	B2	7/2006	Tiede et al.
		7,077,735	B2	7/2006	Krondorfer et al.
		7,097,548	B2	8/2006	Krondorfer et al.
		7,108,077	B2	9/2006	Zaiser
		7,115,027	B2	10/2006	Thomaschewski
		7,115,028	B1	10/2006	Chen
		7,137,329	B1	11/2006	Moser
		7,143,760	B2	12/2006	Gardner
		7,169,025	B2	1/2007	Schumacher
		7,201,644	B2	4/2007	Gardner
		7,207,873	B2	4/2007	Hesse et al.
		7,217,177	B2	5/2007	Frech et al.
		7,273,412	B1	9/2007	Sun et al.
		7,313,838	B2	1/2008	Long et al.
		7,402,095	B2	7/2008	Gardner
		7,438,629	B2	10/2008	Bosten et al.
		7,506,877	B1 *	3/2009	Henderson et al. .... 279/76
		7,510,464	B2	3/2009	Stierle et al.
		7,527,628	B2	5/2009	Fletcher et al.
		7,588,484	B2	9/2009	Momosaki
		2002/0016143	A1	2/2002	Bosten et al.
		2002/0022444	A1	2/2002	Littlefield
		2003/0000716	A1	1/2003	Hofmann et al.
		2003/0153254	A1	8/2003	Bosten et al.
		2004/0192180	A1	9/2004	Bosten et al.
		2004/0243136	A1	12/2004	Gupta et al.
		2005/0153640	A1	7/2005	Stein et al.
		2006/0150428	A1	7/2006	Baculy
		2006/0272468	A1	12/2006	Gupta et al.
		2007/0094877	A1	5/2007	Bohne et al.
		2007/0295156	A1	12/2007	Ziegler et al.
		2008/0003929	A1	1/2008	Degen
		2008/0017007	A1	1/2008	Weber et al.
		2008/0029134	A1	2/2008	Long et al.
		2008/0057846	A1	3/2008	Schumacher
		2008/0160886	A1	7/2008	Palushaj
		2008/0190259	A1	8/2008	Bohne
		2008/0210212	A1	9/2008	Baratta
		2009/0013540	A1	1/2009	Bohne
		2009/0083916	A1	4/2009	Lampka et al.

# US D633,769 S

Page 3

---

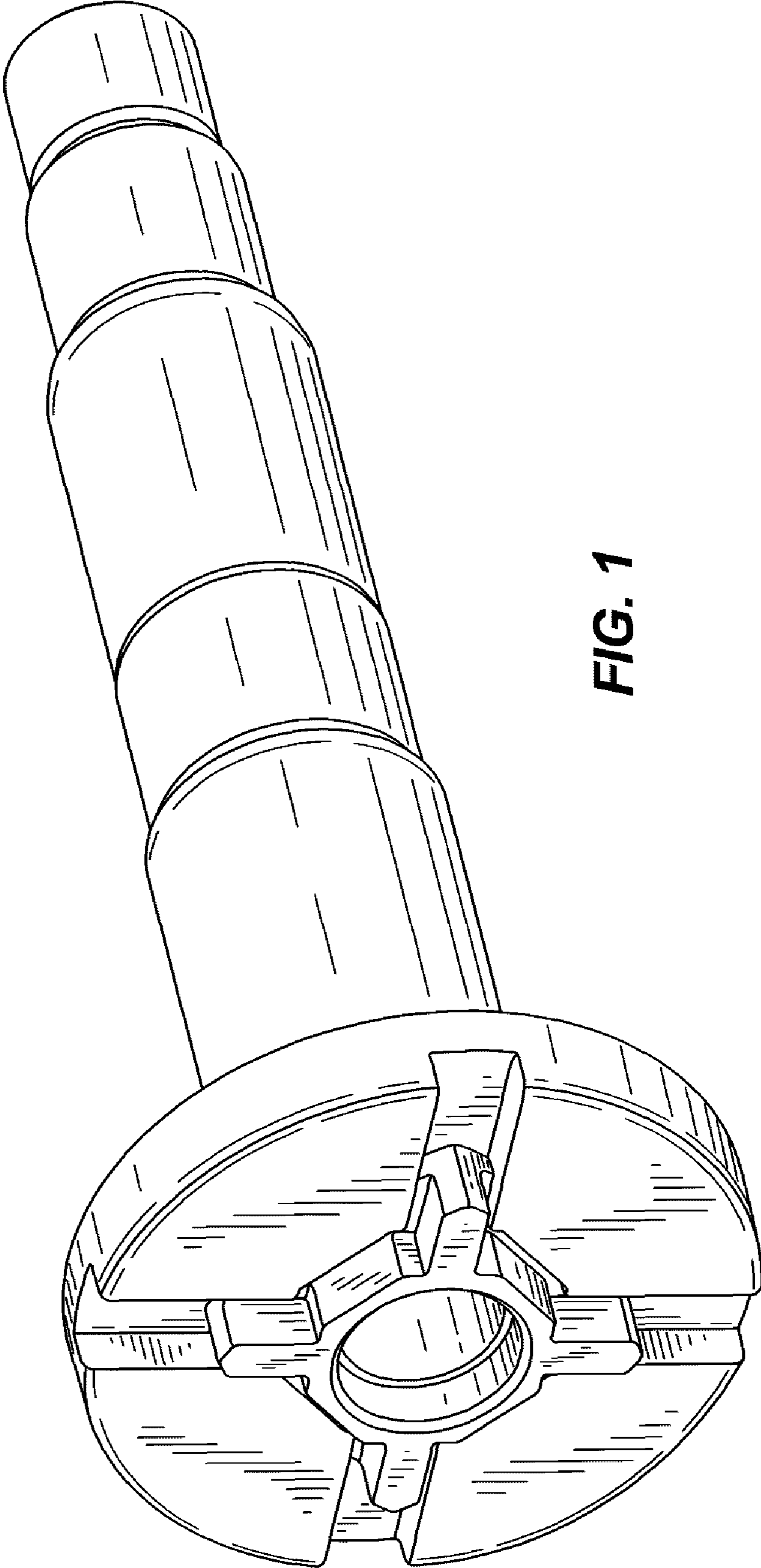
2009/0209186 A1 8/2009 Krauss et al.  
2009/0293696 A1 12/2009 Rauscher et al.  
2009/0318065 A1 12/2009 Zaiser et al.  
2010/0052269 A1 3/2010 Zaiser et al.  
2010/0056029 A1 3/2010 Grunikiewicz

## FOREIGN PATENT DOCUMENTS

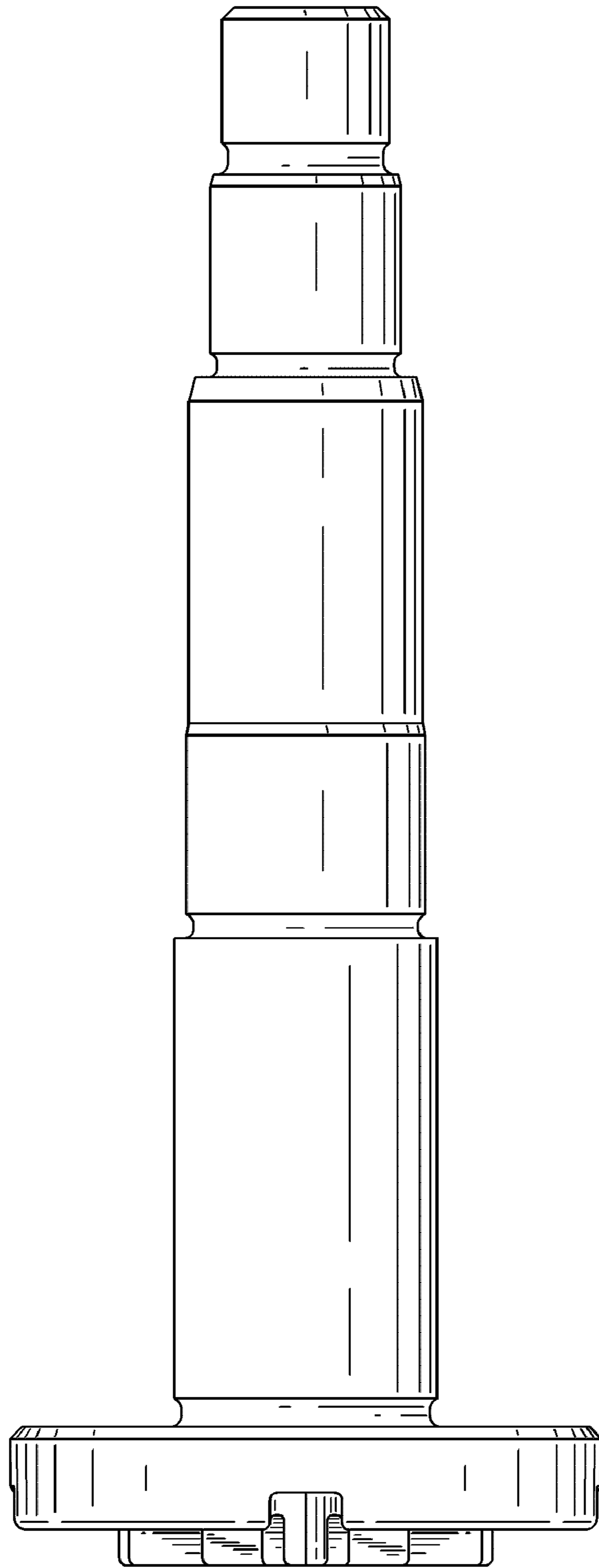
DE 20309329 U1 8/2003

DE 102007039367 A1 3/2008  
DE 102008027671 A1 12/2009  
EP 1213107 A1 6/2002  
EP 1302286 A1 4/2003  
EP 2017036 A1 1/2009  
EP 2143531 A1 1/2010  
WO 2008128813 A1 10/2008

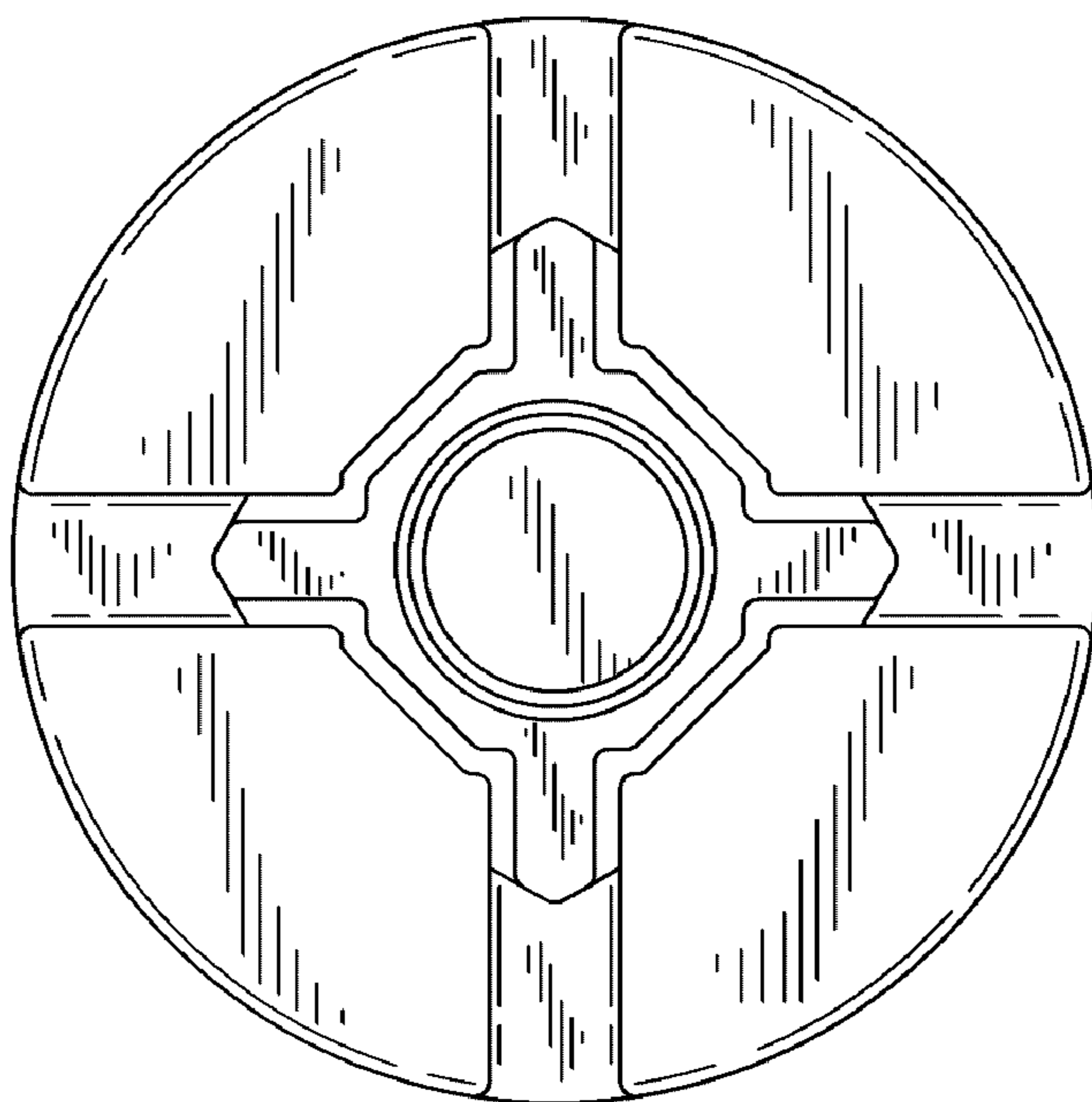
\* cited by examiner



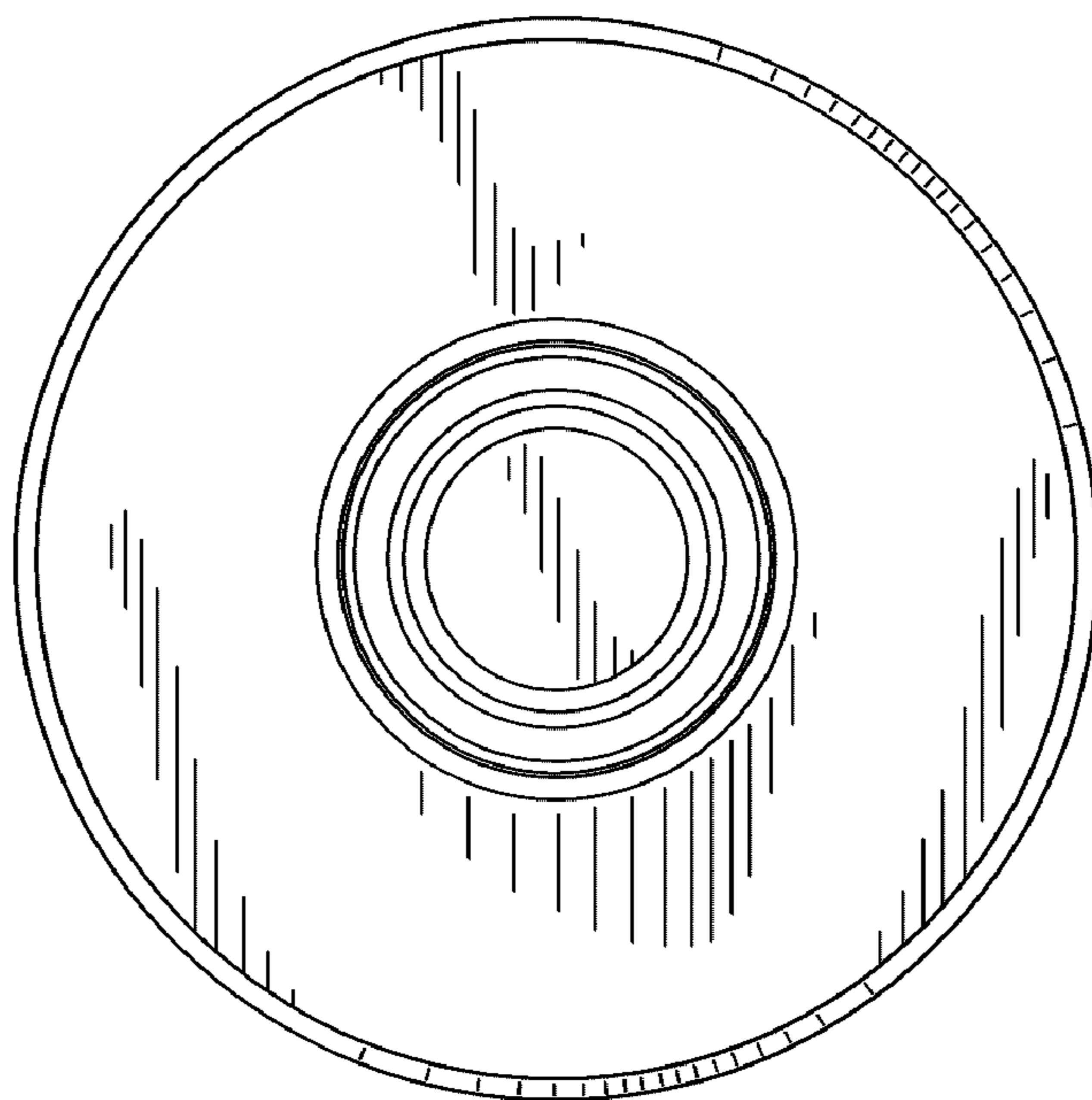
**FIG. 1**



**FIG. 2**



**FIG. 3**



**FIG. 4**