



US00D633768S

(12) **United States Design Patent**
Adkins

(10) **Patent No.:** **US D633,768 S**
(45) **Date of Patent:** **** Mar. 8, 2011**

(54) **RIGHT ANGLE DRIVE ATTACHMENT**

(75) **Inventor:** **Edward D. Adkins**, Machesney Park, IL
(US)

(73) **Assignee:** **Nomis LLC**, Hampshire, IL (US)

(**) **Term:** **14 Years**

(21) **Appl. No.:** **29/365,643**

(22) **Filed:** **Jul. 13, 2010**

(51) **LOC (9) Cl.** **08-05**

(52) **U.S. Cl.** **D8/70**

(58) **Field of Classification Search** D8/70;

74/333, 416; 81/57.12, 57.13, 57.29, 177.2;

173/29, 216; 192/415; 279/75, 155, 905;

408/240; 409/215; 433/112, 125, 128

See application file for complete search history.

(56) **References Cited**

U.S. PATENT DOCUMENTS

7,153,133 B1 * 12/2006 Chia et al. 433/125
2004/0014004 A1 * 1/2004 Garrison et al. 433/125

* cited by examiner

Primary Examiner — Antoine D Davis

(74) *Attorney, Agent, or Firm* — Reinhart Boerner Van
Deuren P.C.

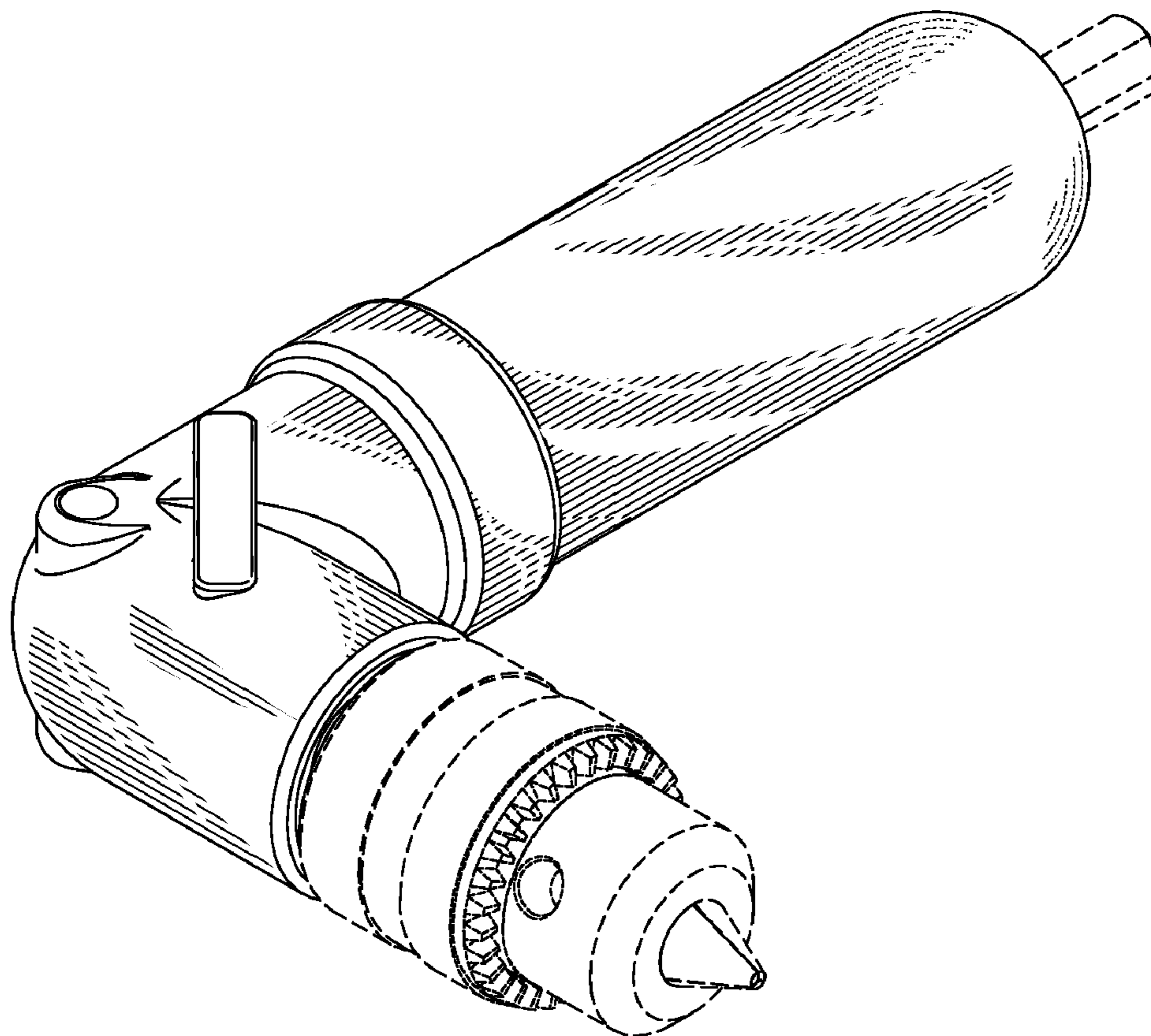
(57) **CLAIM**

The ornamental design for a right angle drive attachment, as
shown and described.

DESCRIPTION

FIG. 1 is a side perspective view of the right angle drive;
FIG. 2 is a side view thereof;
FIG. 3 is a side view thereof showing the side opposite that
shown in FIG. 2;
FIG. 4 is a front view thereof;
FIG. 5 is a back view thereof;
FIG. 6 is a top view thereof; and,
FIG. 7 is a bottom view thereof.
The dashed lines of FIGS. 1-7 are for illustrative purposes
only and form no part of the claimed right angle drive design.

1 Claim, 4 Drawing Sheets



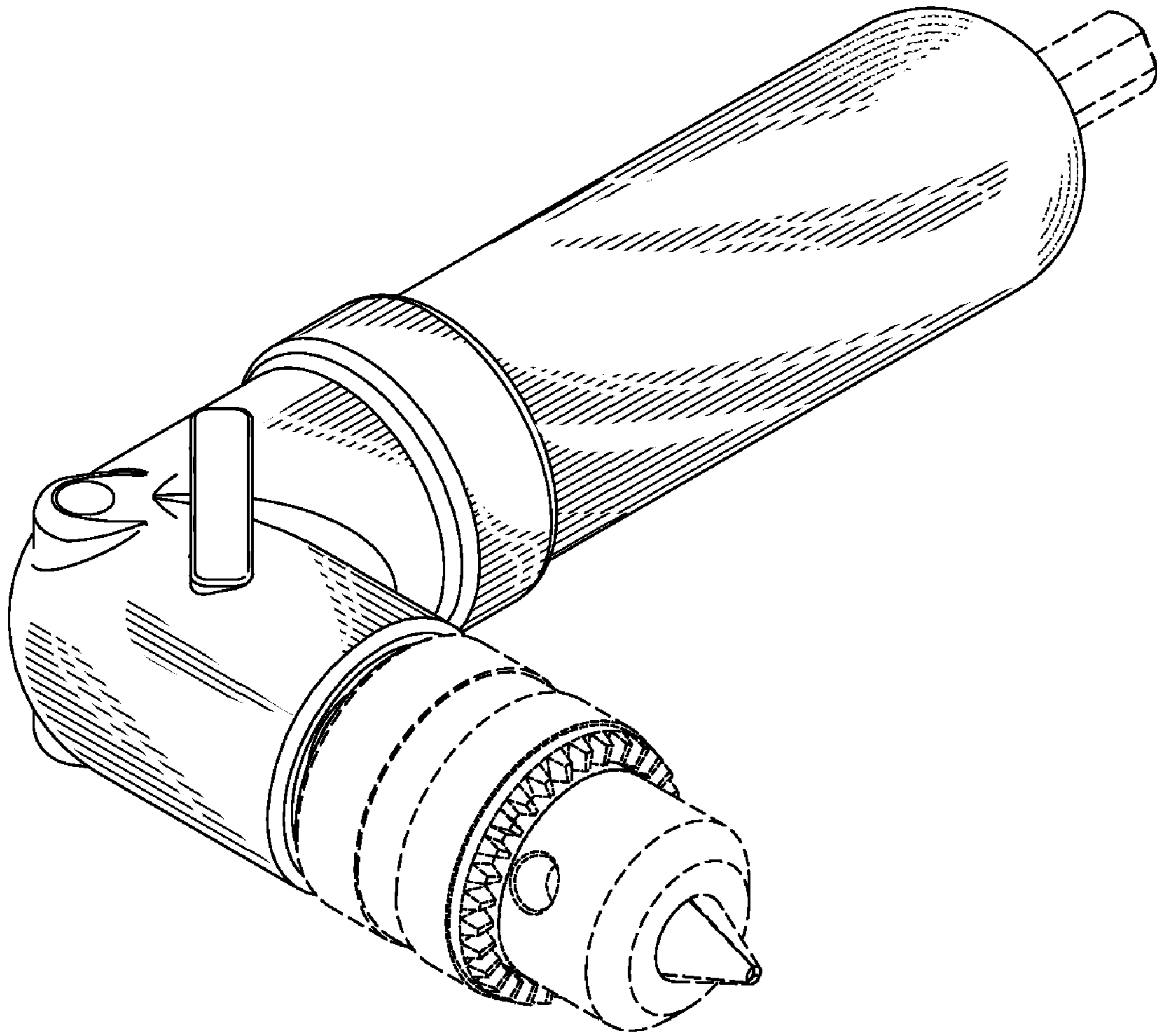


FIG. 1

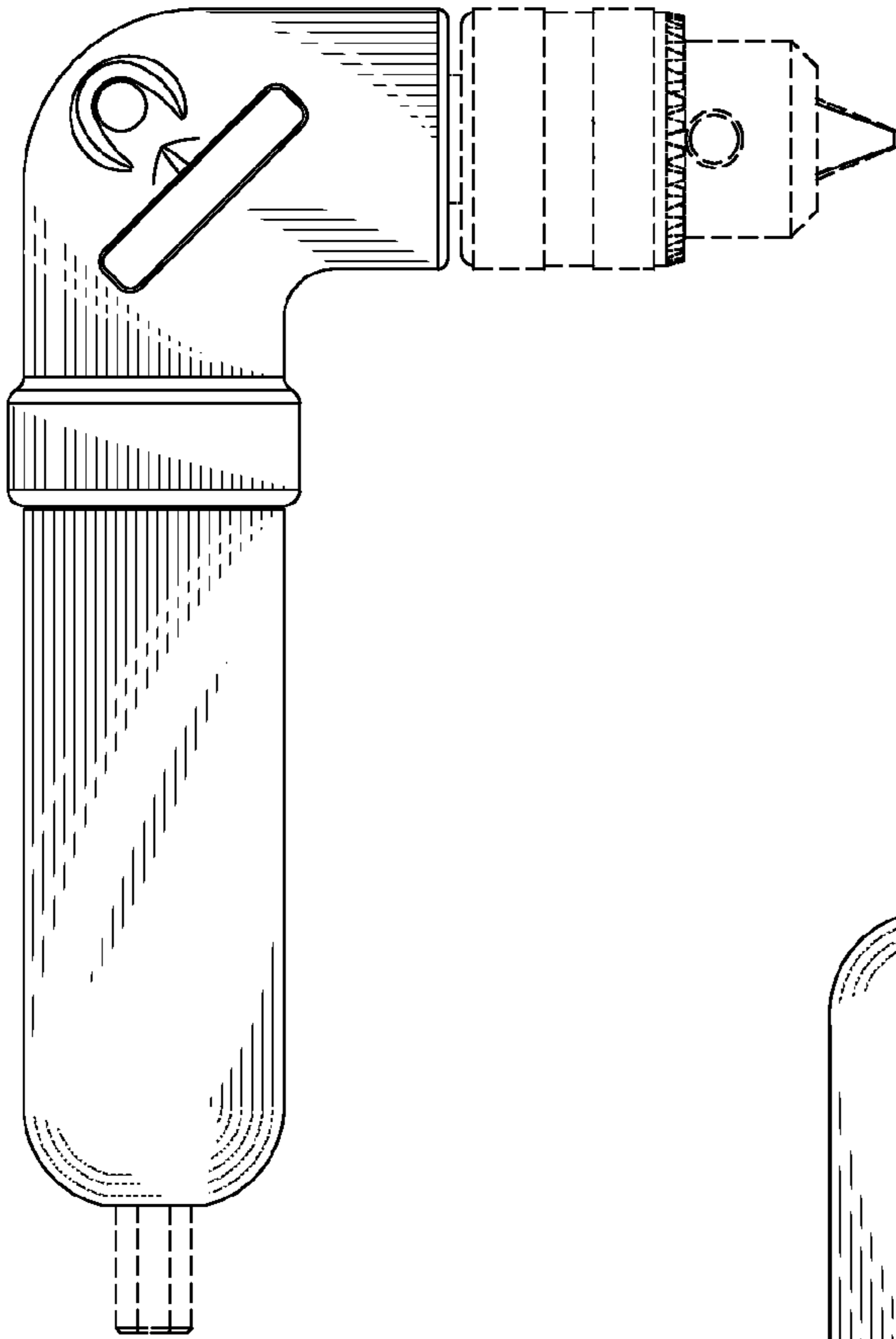


FIG. 2

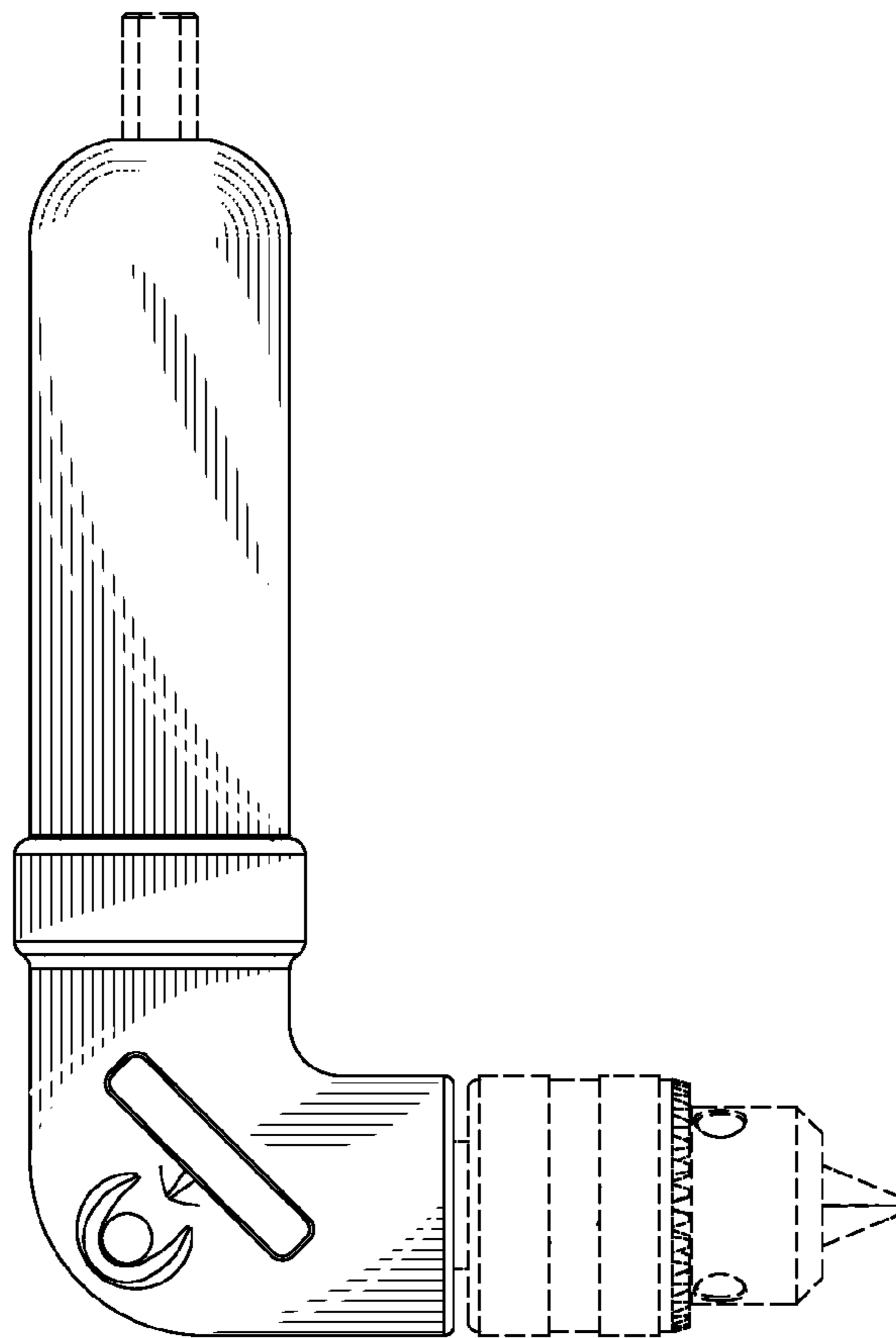


FIG. 3

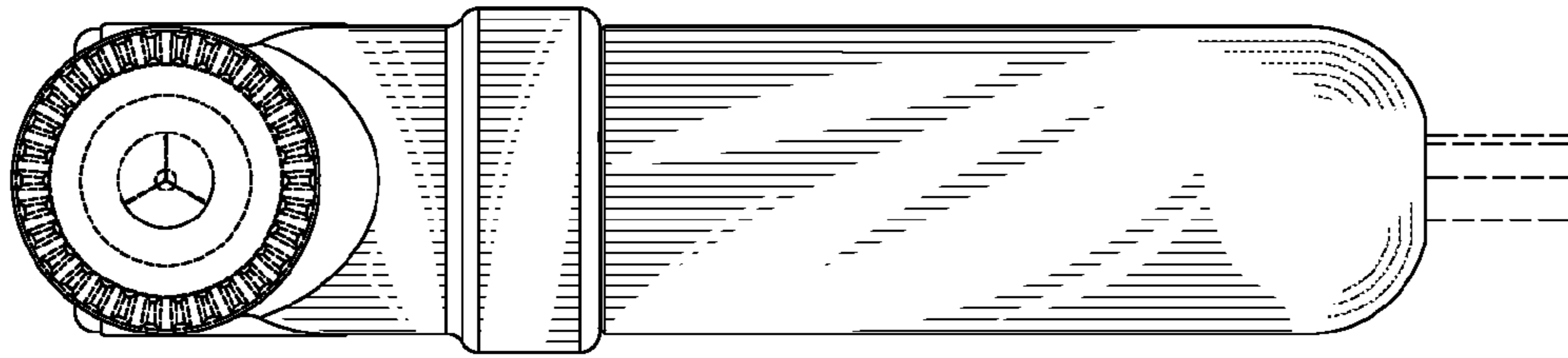


FIG. 4

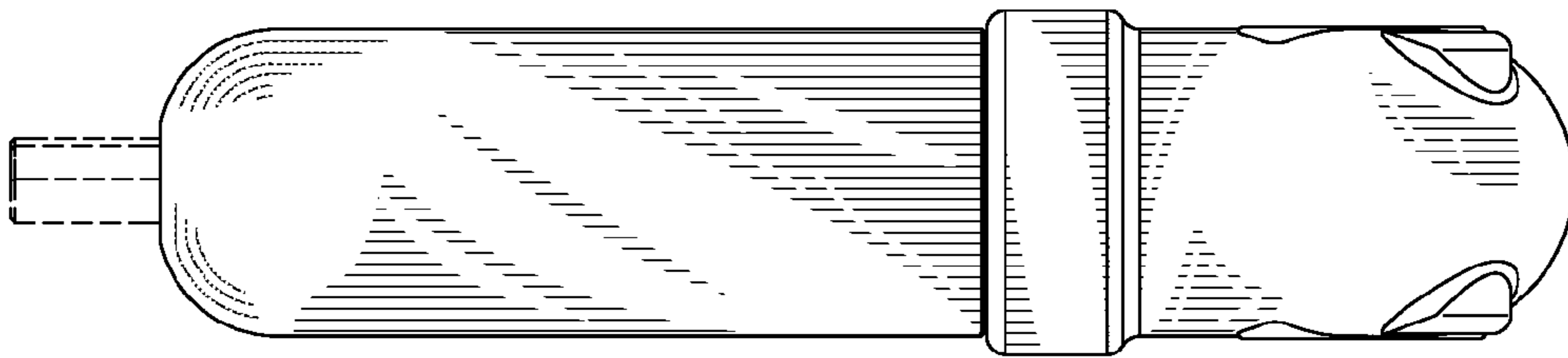


FIG. 5

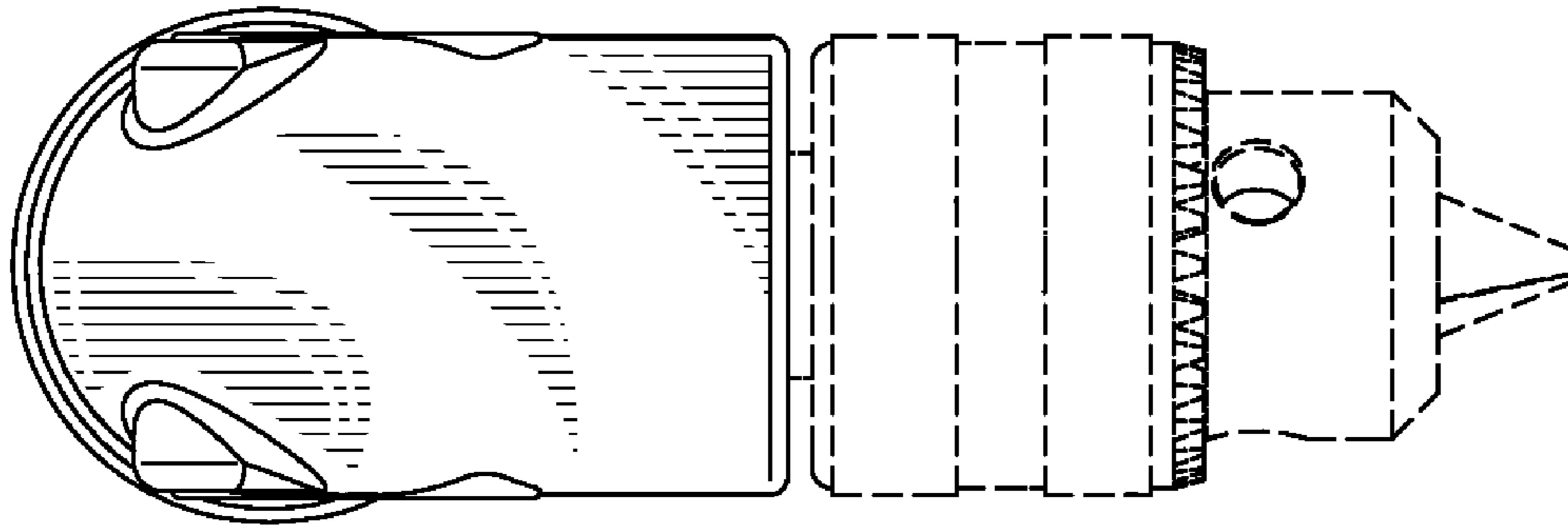


FIG. 6

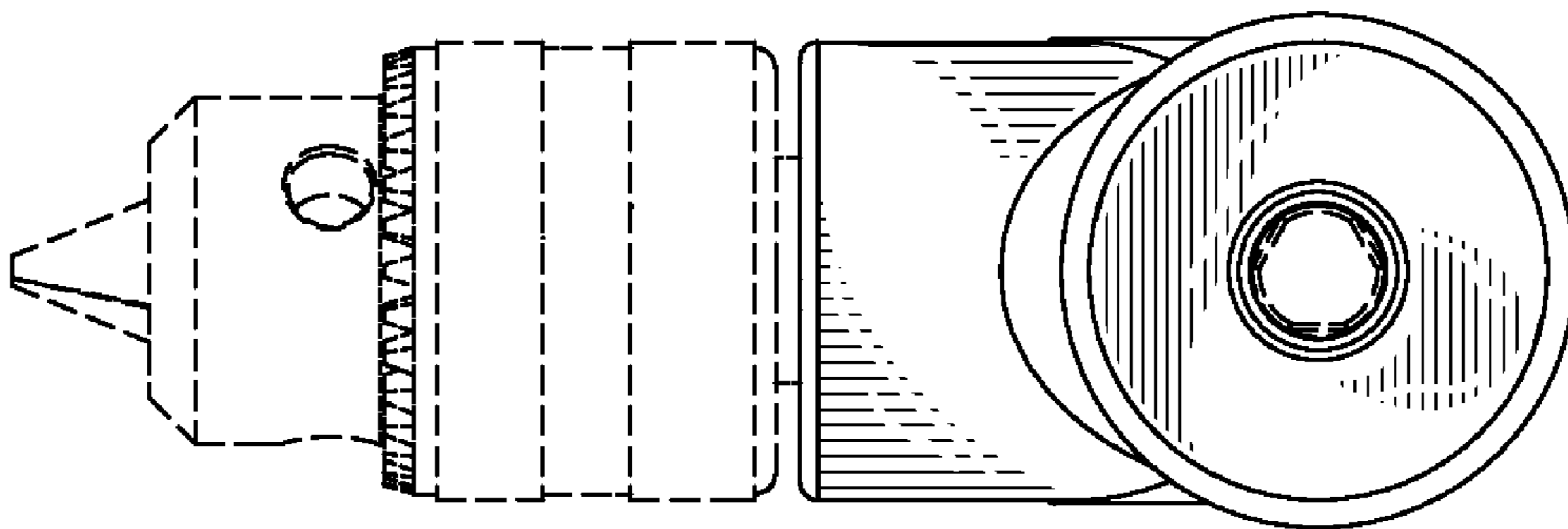


FIG. 7