



US00D633766S

(12) **United States Design Patent**
Tinius

(10) **Patent No.:** **US D633,766 S**
(45) **Date of Patent:** **** Mar. 8, 2011**

(54) **CHAIN SAW**

D607,293 S * 1/2010 Tinius D8/65

(75) Inventor: **Michael Tinius**, Ulm (DE)

(73) Assignee: **Andreas Stihl AG & Co. KG**, Alemania (DE)

(Continued)

(**) Term: **14 Years**

Primary Examiner—Austin Murphy

(74) *Attorney, Agent, or Firm*—McGuireWoods LLP

(21) Appl. No.: **29/344,878**

(57) **CLAIM**

(22) Filed: **Oct. 6, 2009**

I claim the ornamental design for a chain saw, as shown and described.

(30) **Foreign Application Priority Data**

Apr. 29, 2009 (EM) 001131478-0004

(51) **LOC (9) Cl.** **08-03**

(52) **U.S. Cl.** **D8/65**

(58) **Field of Classification Search** D8/65,
D8/7, 8, 9, 66, 70, 67, 62, 63, 64, 61, 91;
30/386, 383, 382, 371, 123, 381; 125/21;
D21/532; 83/832, 833, 834; 123/185.3

See application file for complete search history.

DESCRIPTION

(56) **References Cited**

U.S. PATENT DOCUMENTS

4,753,012	A	*	6/1988	Schurr	30/382
D303,207	S	*	9/1989	Nakajima	D8/65
4,939,842	A	*	7/1990	Rebhan	30/386
D320,728	S	*	10/1991	Arvidsson	D8/65
D361,251	S	*	8/1995	Griffin	D8/65
D364,326	S	*	11/1995	Lohse et al.	D8/65
D377,441	S	*	1/1997	Hoppner et al.	D8/65
D385,766	S	*	11/1997	Kondo et al.	D8/65
D386,958	S	*	12/1997	Karlsson et al.	D8/65
D412,652	S	*	8/1999	Durr et al.	D8/65
6,016,604	A	*	1/2000	Wolf et al.	30/383
D445,657	S	*	7/2001	Jong	D8/65
D558,019	S	*	12/2007	Granberg et al.	D8/65
D558,020	S	*	12/2007	Karlsson et al.	D8/65
D563,747	S	*	3/2008	Tinius	D8/65
D574,207	S	*	8/2008	Arnesson et al.	D8/65
D580,724	S	*	11/2008	Tinius	D8/65
D606,829	S	*	12/2009	Tinius	D8/65
D607,292	S	*	1/2010	Tinius	D8/65

FIG. 1 is a top perspective view of the chain saw with a bar and chain;

FIG. 2 is a left side view of the chain saw shown in FIG. 1 without a bar and chain;

FIG. 3 is a right side view of the chain saw shown in FIG. 1 without a bar and chain;

FIG. 4 is a top view of the chain saw shown in FIG. 1 without a bar and chain;

FIG. 5 is a bottom view of the chain saw shown in FIG. 1 without a bar and chain;

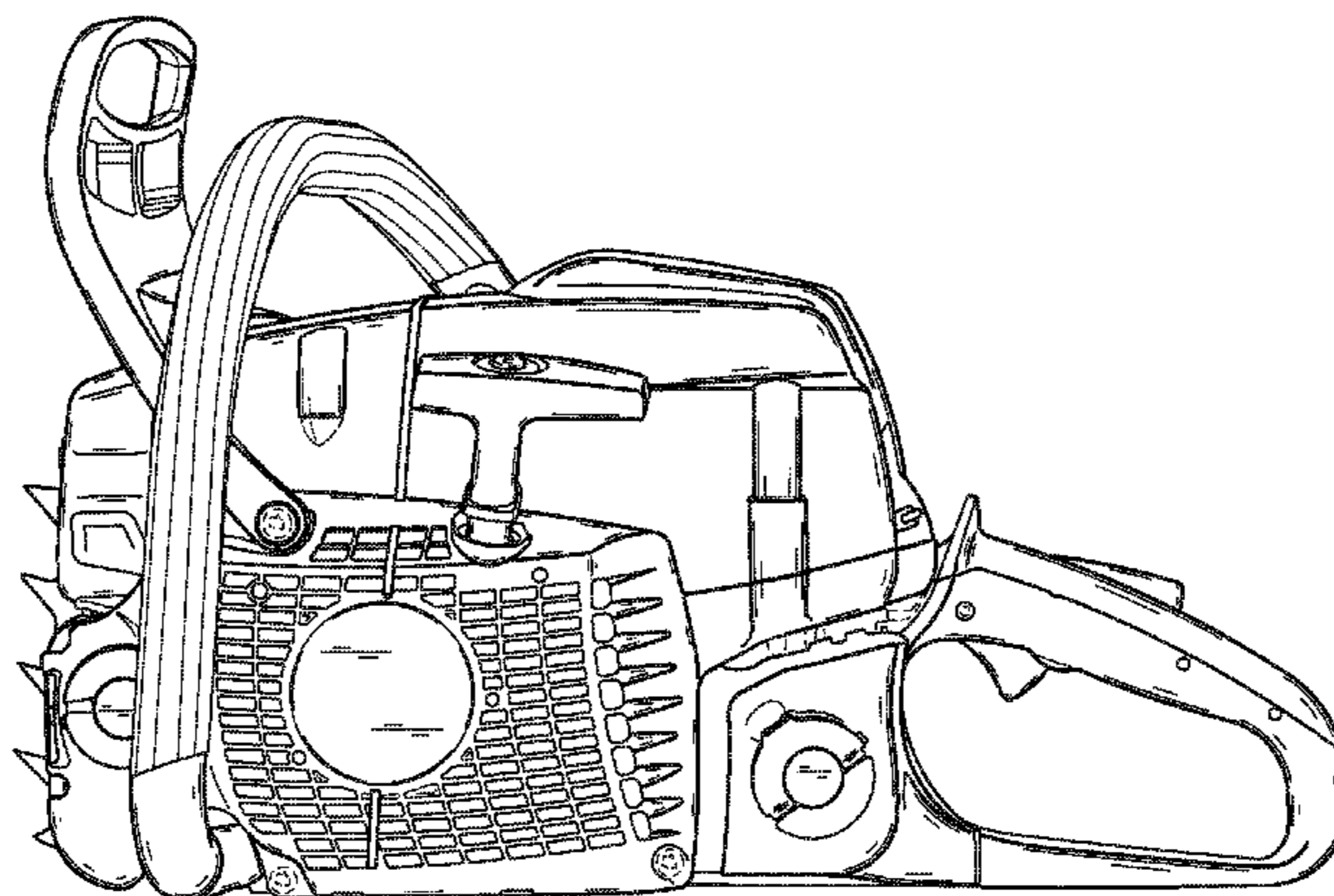
FIG. 6 is a rear view of the chain saw shown in FIG. 1 without a bar and chain; and,

FIG. 7 is a front view of the chain saw shown in FIG. 1 without a bar and chain.

Applicant expressly reserves the right to modify FIGS. 1-7 to include, in line drawing format, any one or all of the features shown (i.e., shown in either dashed-lines or solid lines) in FIGS. 1-7.

The subject matter shown in dashed lines, and any surfaces of the design not shown, including interior surfaces, form no part of the claimed invention.

1 Claim, 7 Drawing Sheets



US D633,766 S

Page 2

U.S. PATENT DOCUMENTS

D615,836 S *	5/2010	Kosugi et al.	D8/65	2004/0103857 A1*	6/2004	Kruse	123/1 R
2002/0129502 A1*	9/2002	Durr et al.	30/381	2006/0230900 A1*	10/2006	Bergquisto	83/381
2003/0188618 A1*	10/2003	Menzel et al.	83/801	2006/0254557 A1*	11/2006	Hamisch et al.	123/198 E

* cited by examiner

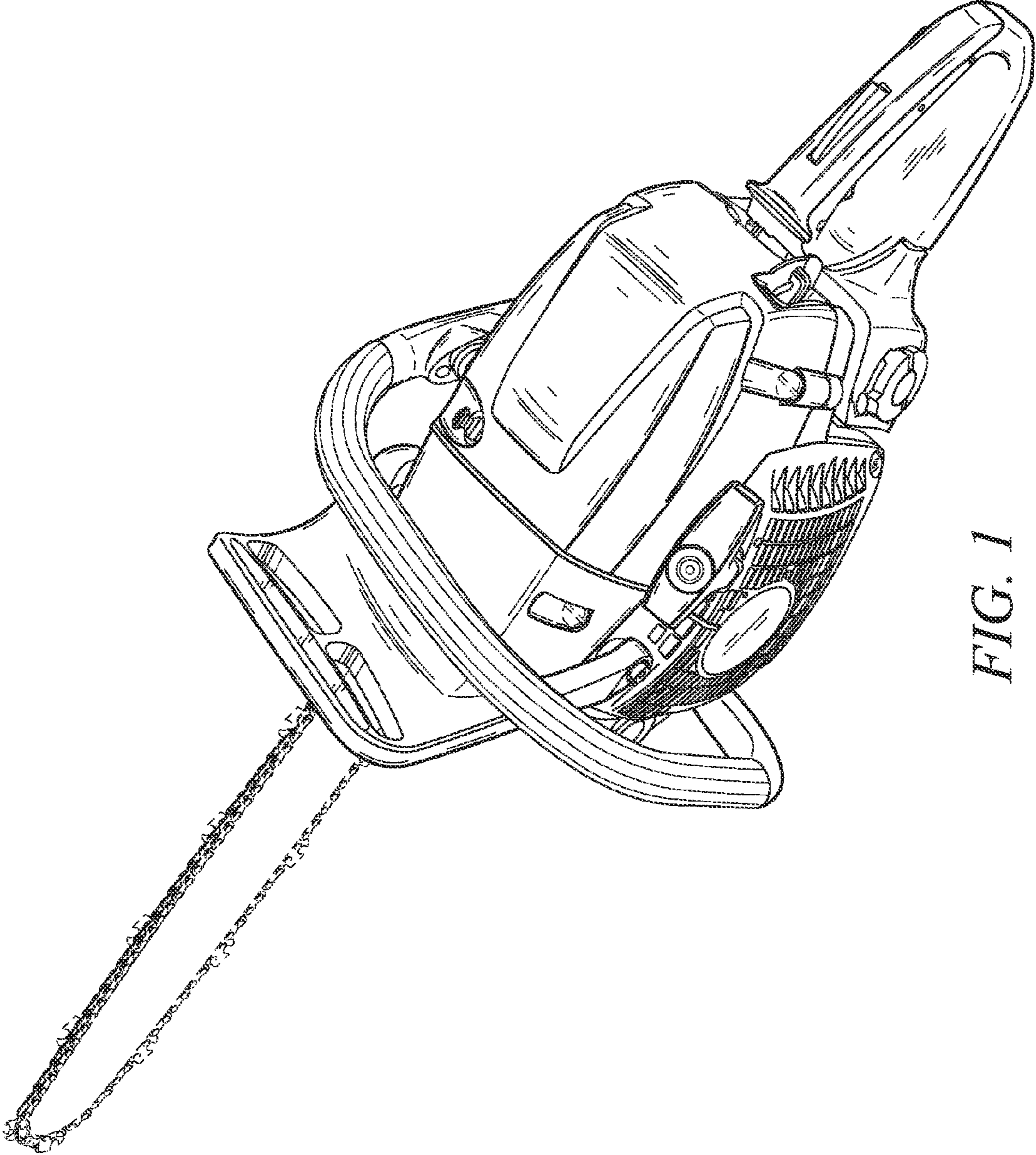


FIG. 1

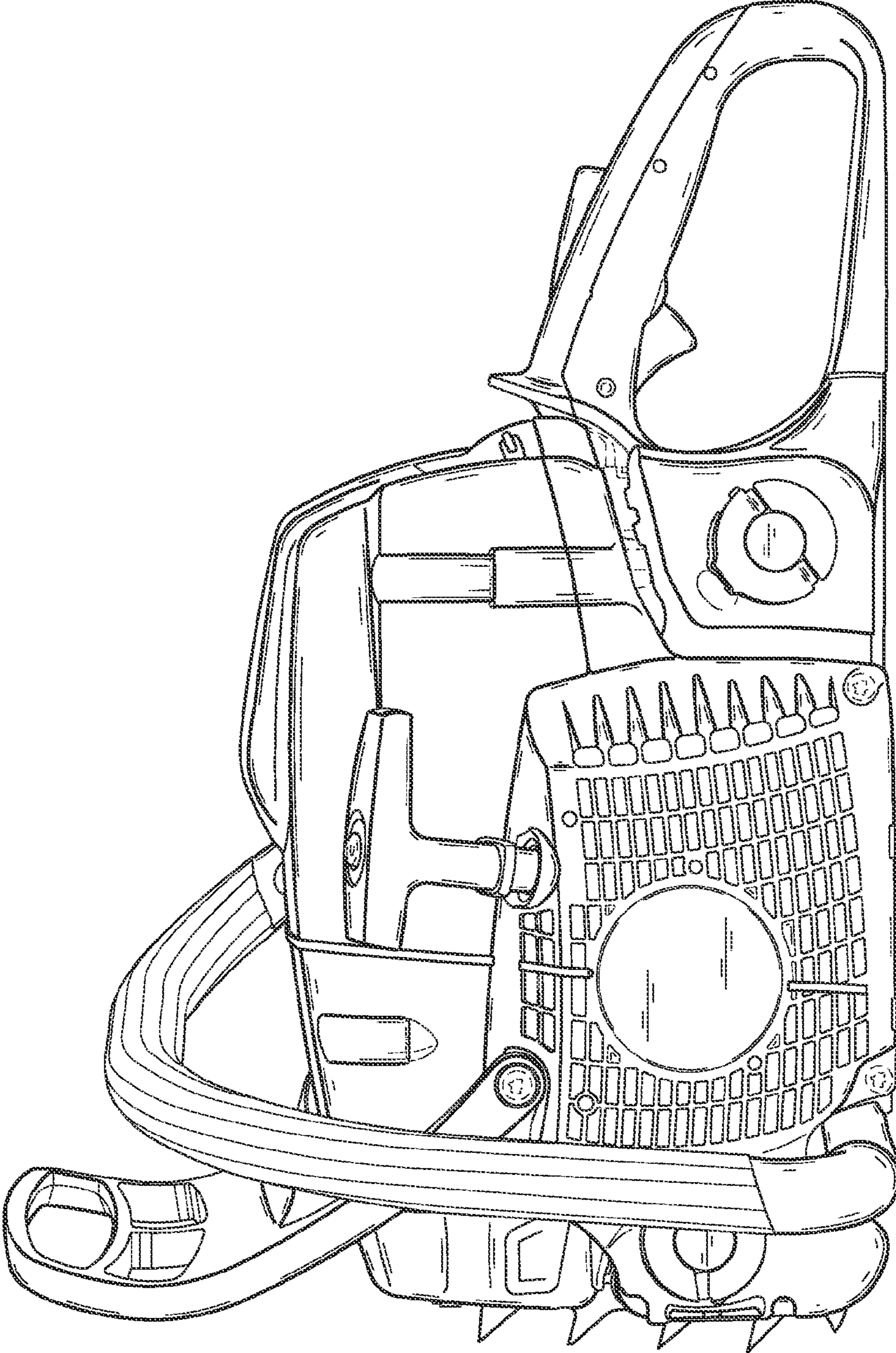


FIG. 2

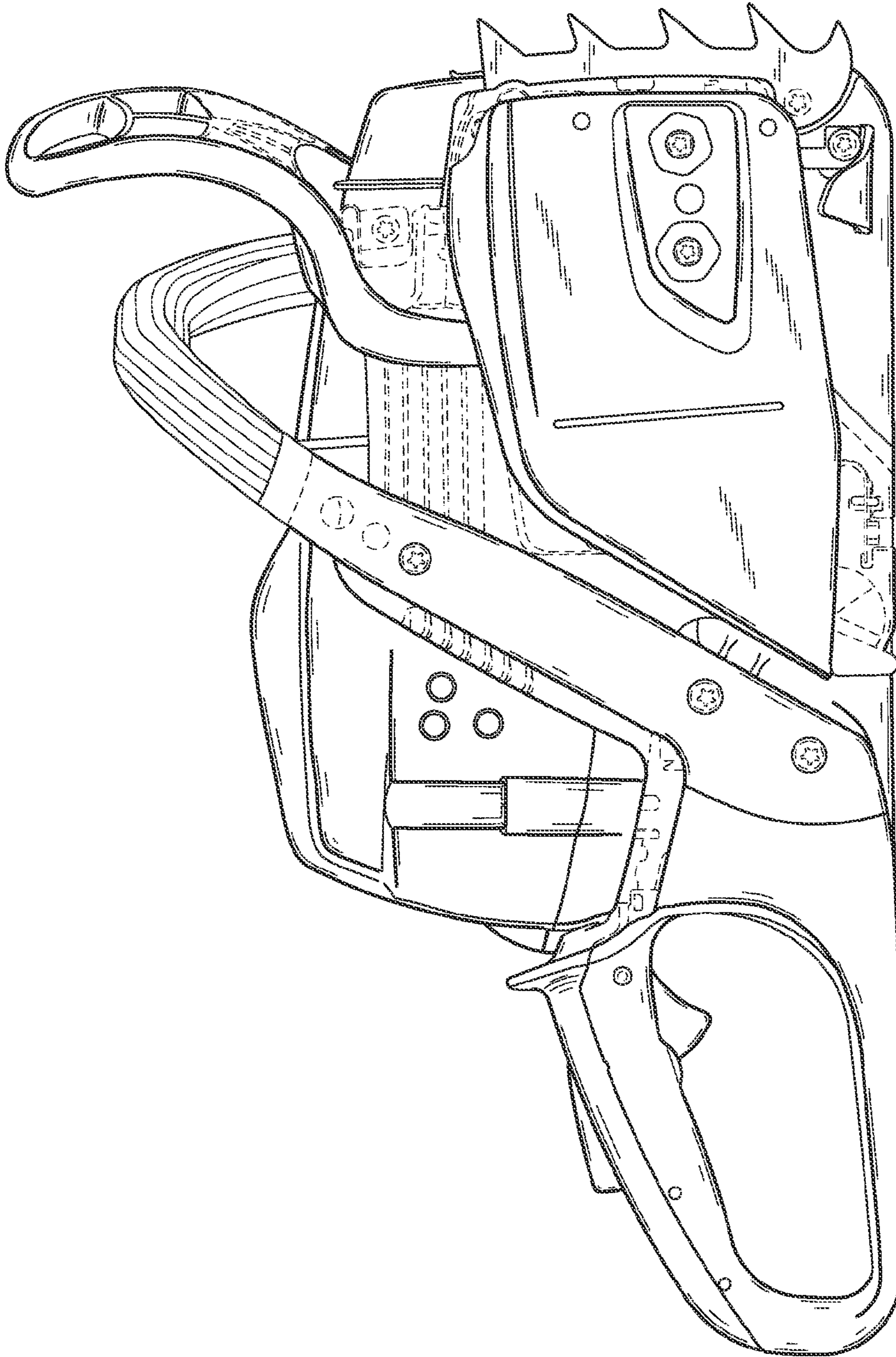


FIG. 3

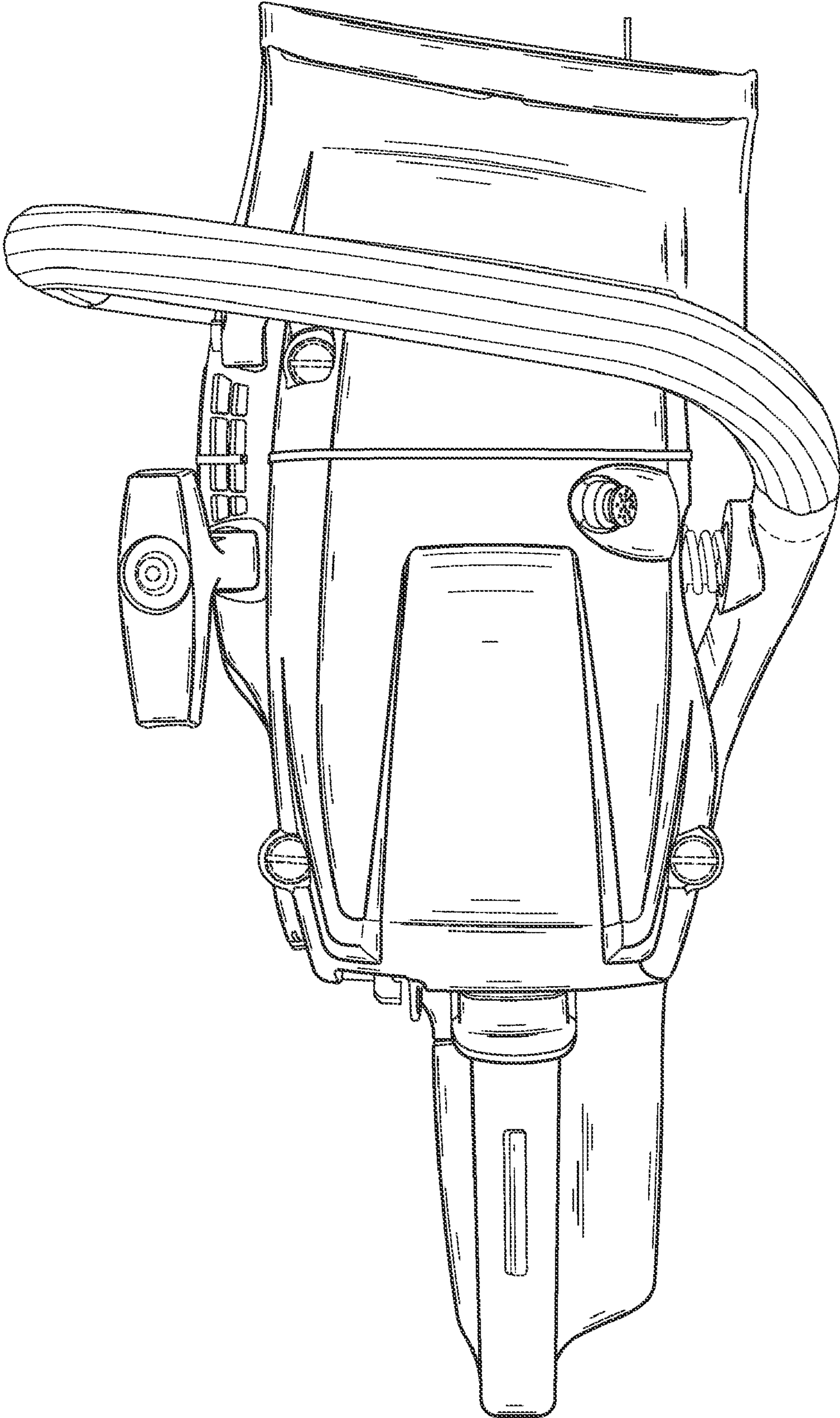


FIG. 4

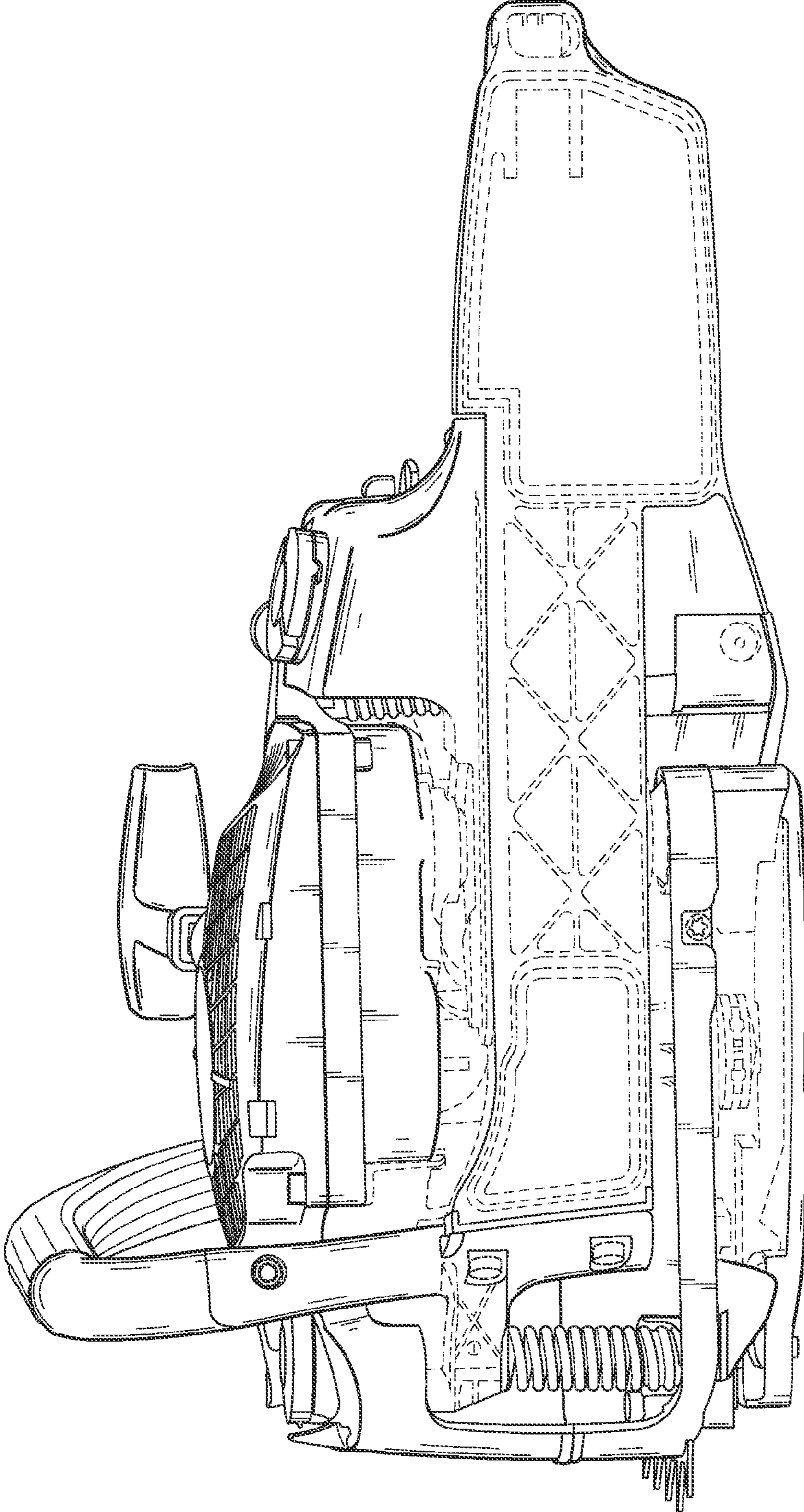


FIG. 5

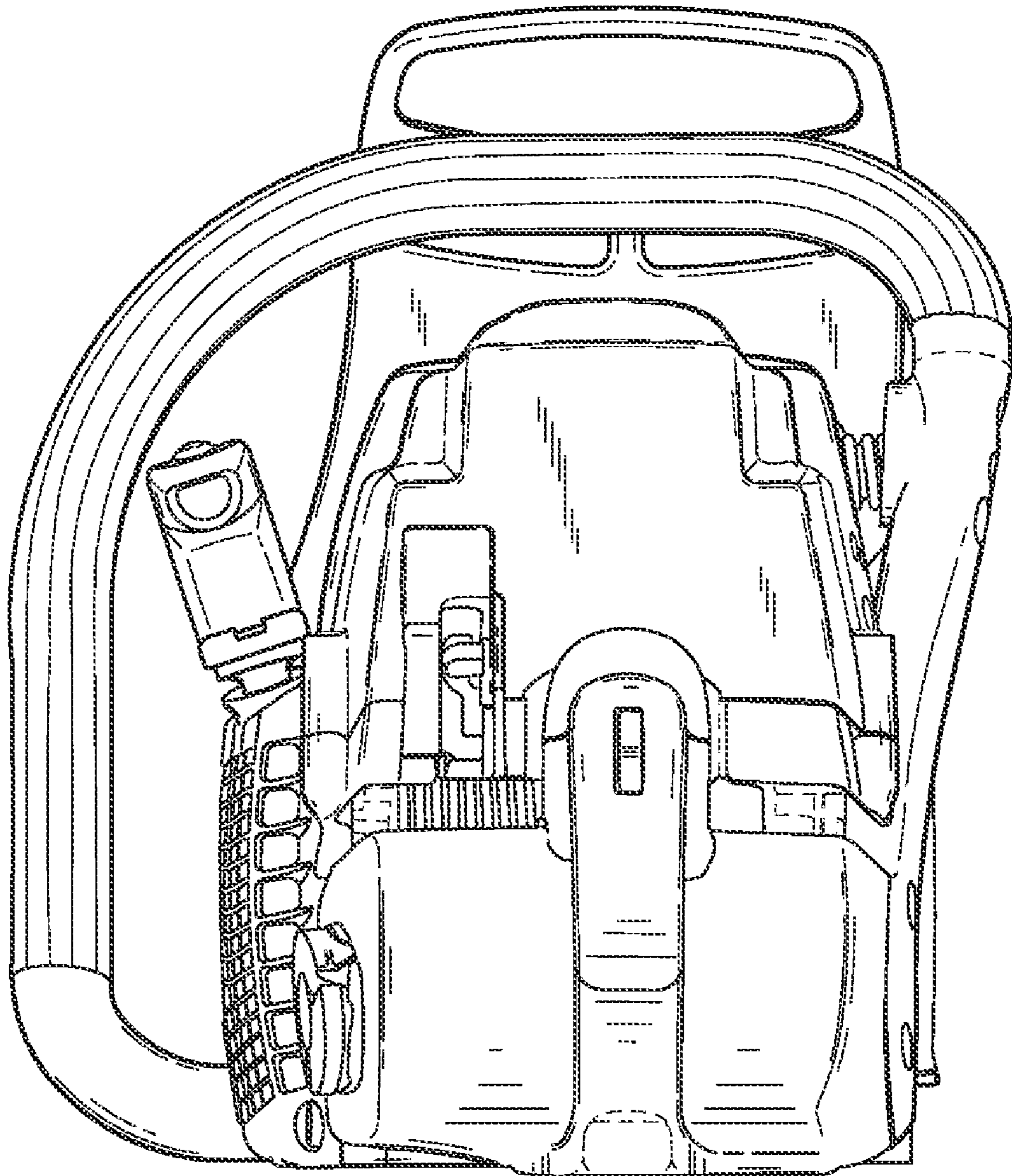


FIG. 6

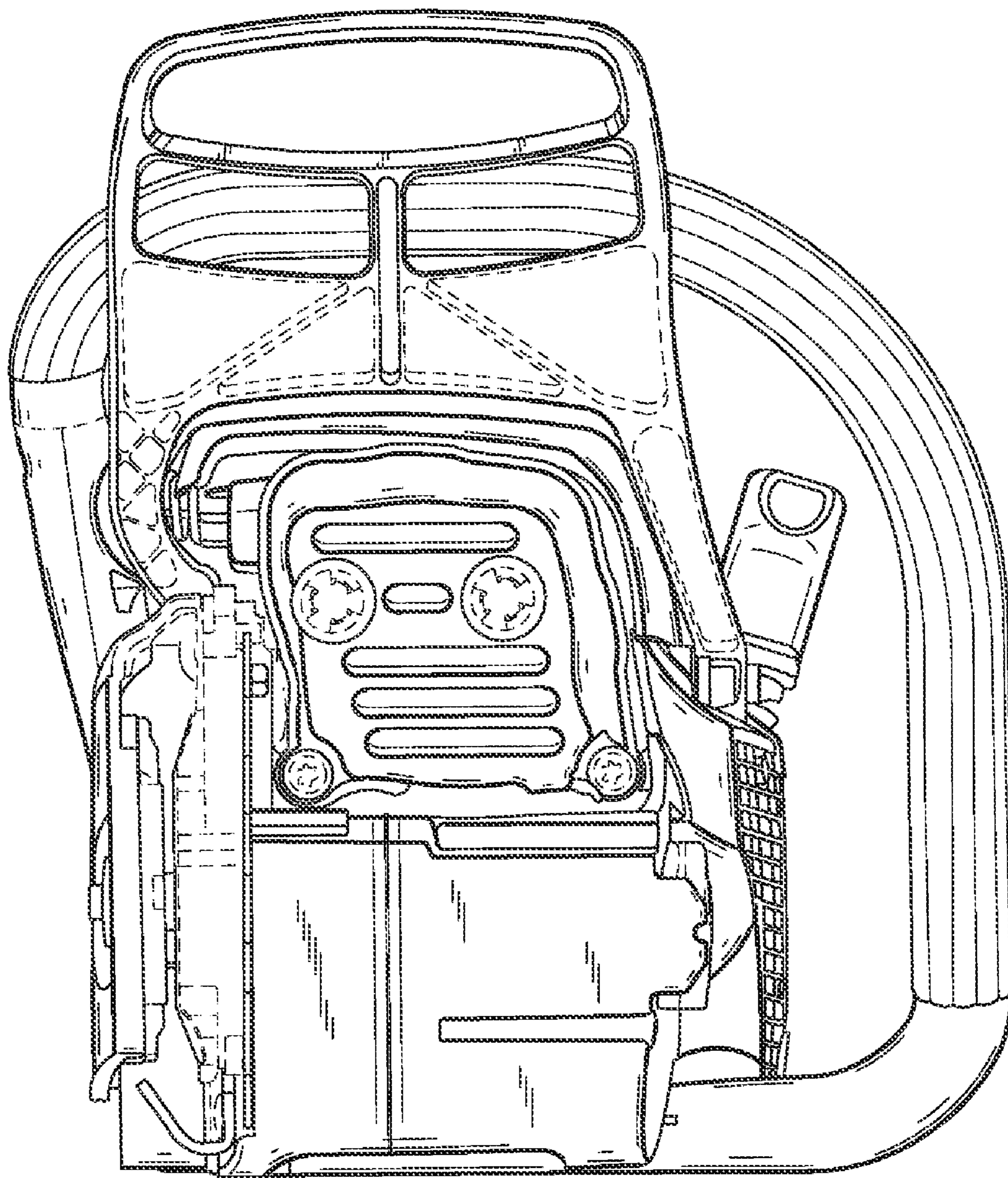


FIG. 7