



US00D633762S

(12) **United States Design Patent**
Zhou et al.

(10) **Patent No.:** **US D633,762 S**
(45) **Date of Patent:** **** Mar. 8, 2011**

(54) **RAPID ADJUSTABLE WRENCH**
(75) Inventors: **Fort Zhou**, Shanghai (CN); **Jason Liu**,
Xinyi (CN)
(73) Assignee: **Cooper Brands, Inc.**, Houston, TX (US)
(**) Term: **14 Years**
(21) Appl. No.: **29/319,562**
(22) Filed: **Jun. 11, 2008**

D397,091 S * 8/1998 Wirth D13/158
D402,867 S * 12/1998 Macor D8/25
5,893,306 A * 4/1999 Owoc 81/60
6,003,413 A 12/1999 Macor
6,053,077 A * 4/2000 Huang 81/63.1
6,067,882 A * 5/2000 Hillinger 81/63.1
6,164,167 A 12/2000 Chen
6,179,512 B1 * 1/2001 Gibson et al. 403/374.1
D441,624 S * 5/2001 Hsu D8/25
6,332,380 B1 12/2001 Macor
6,336,383 B1 * 1/2002 Hung 81/60
6,431,034 B1 8/2002 Chen
D475,260 S * 6/2003 Hernandez et al. D8/25
D479,109 S * 9/2003 Hsieh D8/25

(Continued)

(30) **Foreign Application Priority Data**

May 8, 2008 (CN) 2008 3 0120018

(51) **LOC (9) Cl.** **08-05**
(52) **U.S. Cl.** **D8/22; D8/25**
(58) **Field of Classification Search** D8/17,
D8/21-29, 107; 81/60-63.2, 177.1, 177.85,
81/177.8, 489, 125.1, 121.1, 119-120, 176.1,
81/177.9; 206/378

See application file for complete search history.

(56) **References Cited**

U.S. PATENT DOCUMENTS

600,158 A * 3/1898 Miller 81/63
915,443 A 3/1909 Jones
D238,140 S 12/1975 Guimarin
4,016,782 A 4/1977 Guimarin
4,112,792 A 9/1978 Guimarin
4,257,507 A * 3/1981 Solomon 192/43.1
4,520,699 A * 6/1985 Jeremic 81/166
4,524,653 A * 6/1985 Konecny 81/63
4,762,033 A * 8/1988 Chow 81/63.2
4,898,052 A 2/1990 Kang
5,012,705 A * 5/1991 Chow 81/63
5,074,174 A * 12/1991 Kim 81/185
5,076,121 A 12/1991 Fossella
5,207,129 A 5/1993 Fossella
D340,628 S * 10/1993 Chow D8/25
5,305,670 A 4/1994 Fossella et al.
5,448,931 A * 9/1995 Fossella et al. 81/63.2
5,606,897 A * 3/1997 Quinn 81/124.6

FOREIGN PATENT DOCUMENTS

KR 3001331770000 1/2009

(Continued)

Primary Examiner — Raphael Barkai
Assistant Examiner — Randall Gholson

(74) *Attorney, Agent, or Firm* — SAIDMAN DesignLaw
Group

(57) **CLAIM**

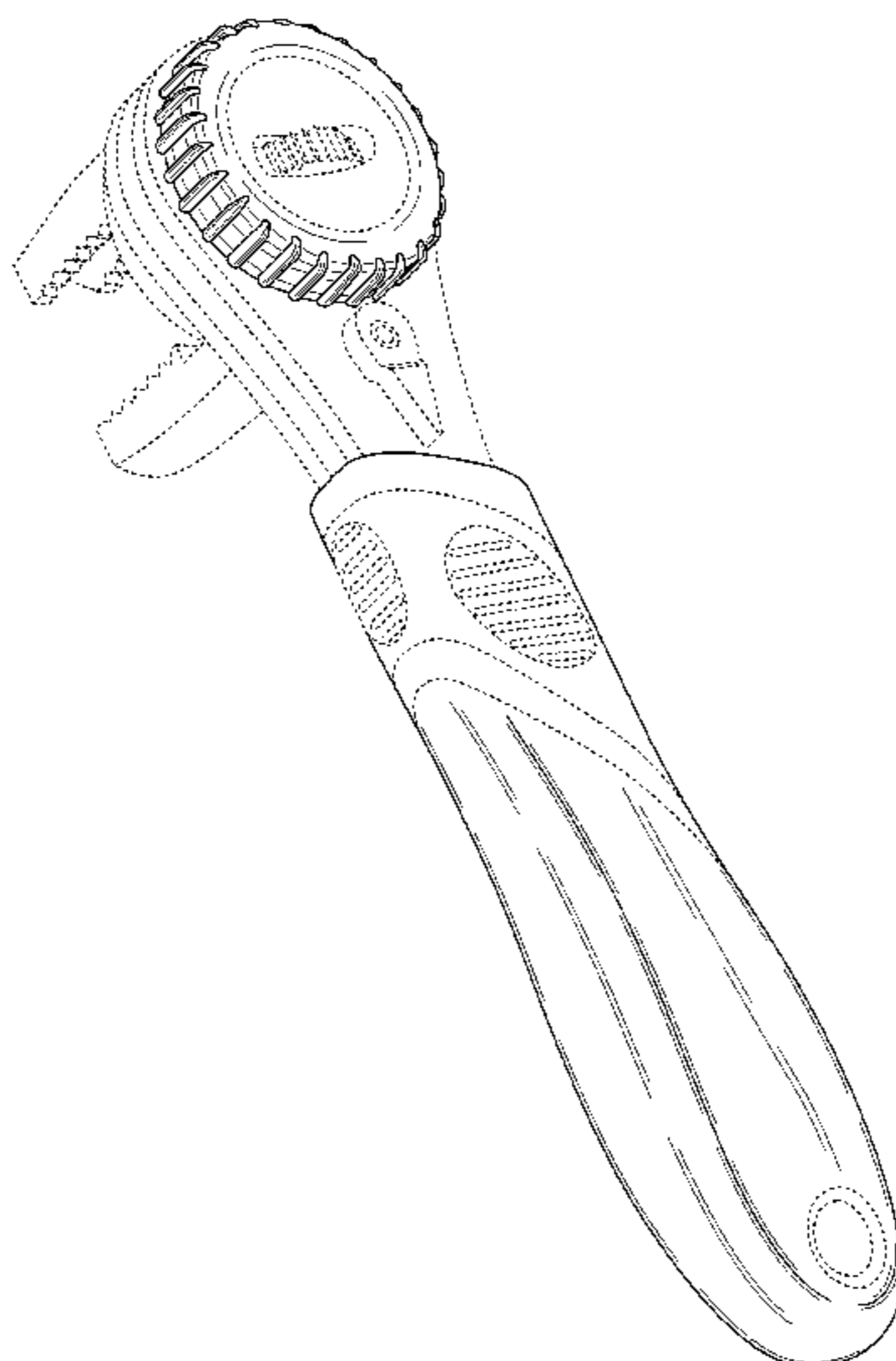
The ornamental design for a rapid adjustable wrench, as
shown and described.

DESCRIPTION

FIG. 1 is a rear perspective view of a rapid adjustable wrench
showing our new design;
FIG. 2 is a front view thereof;
FIG. 3 is a rear view thereof;
FIG. 4 is a right-side view thereof;
FIG. 5 is a left-side view thereof;
FIG. 6 is a top view thereof; and,
FIG. 7 is a bottom view thereof.

The broken line showing of structural lines is included for the
purpose of illustrating non-claimed subject matter and forms
no part of the claimed design.

1 Claim, 4 Drawing Sheets



US D633,762 S

Page 2

U.S. PATENT DOCUMENTS

D482,588	S	11/2003	Lai	
6,971,284	B2 *	12/2005	Owoc	81/58.2
7,066,055	B1 *	6/2006	Lee	81/63
7,159,491	B1 *	1/2007	Chaconas et al.	81/58.1
D558,009	S *	12/2007	Kinsky	D8/25
D562,652	S *	2/2008	Liao	D8/25
D576,457	S *	9/2008	Chen	D8/27

2008/0156151 A1* 7/2008 Chen 81/60

FOREIGN PATENT DOCUMENTS

TW	D101932	12/1992
TW	M344224	1/1997
TW	479985	3/2002

* cited by examiner

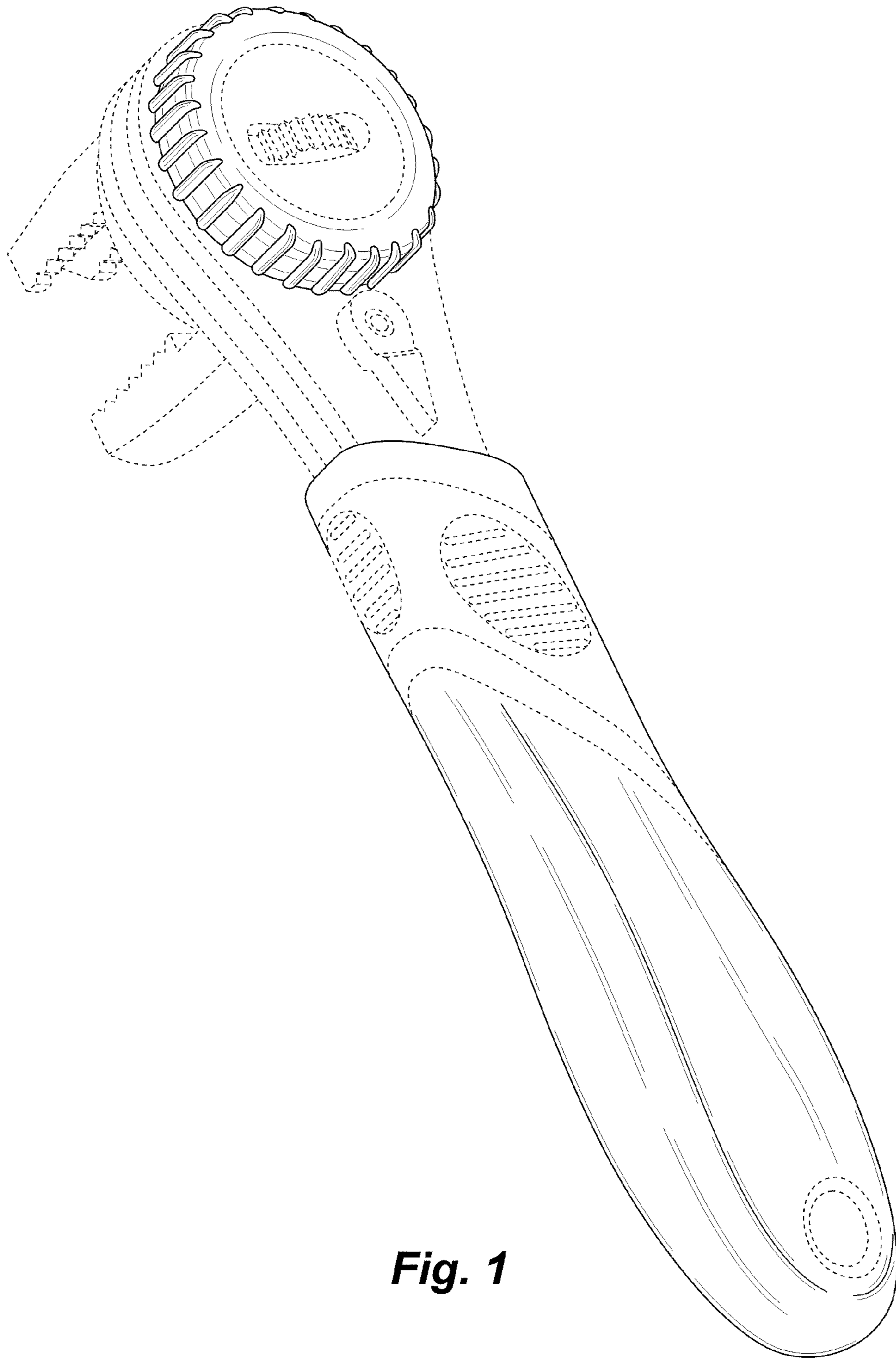


Fig. 1

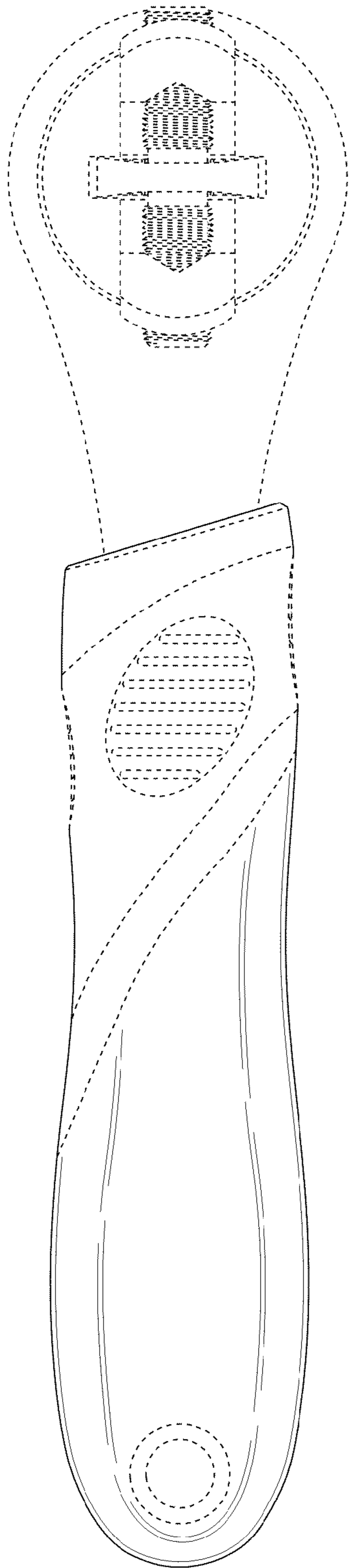


Fig. 2

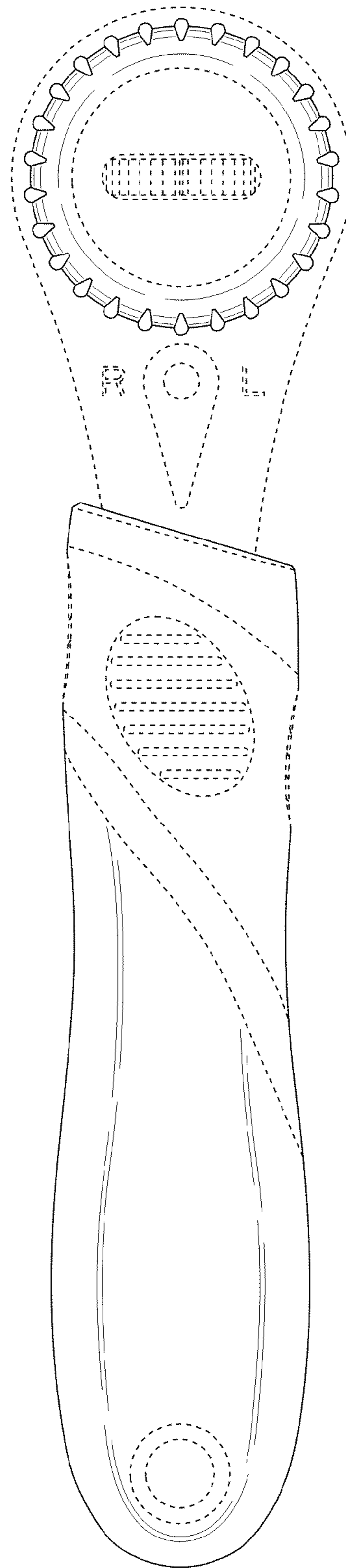


Fig. 3

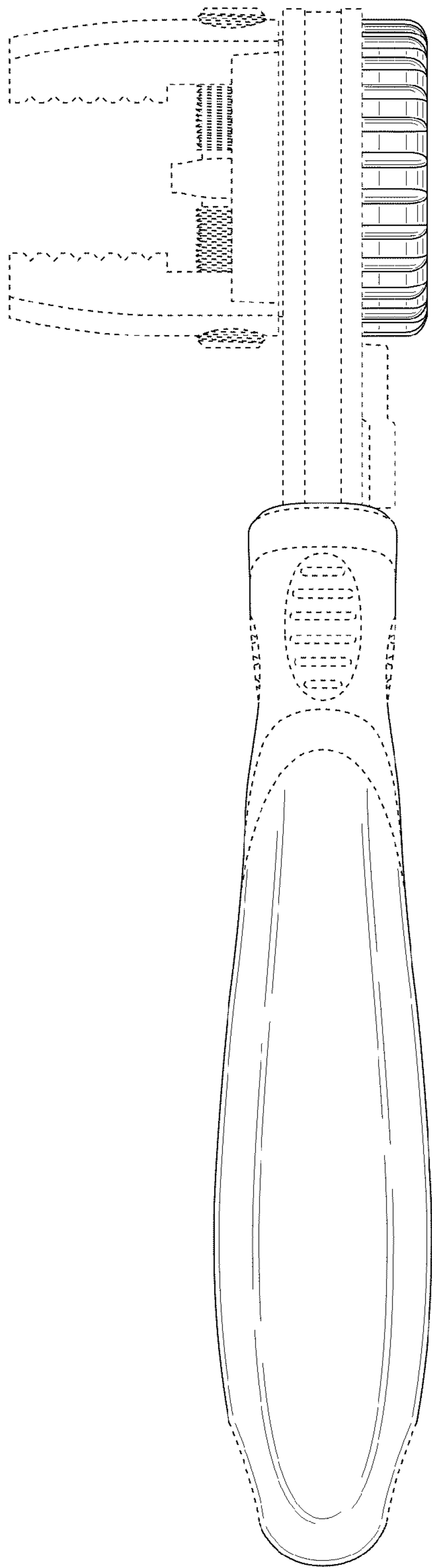


Fig. 4

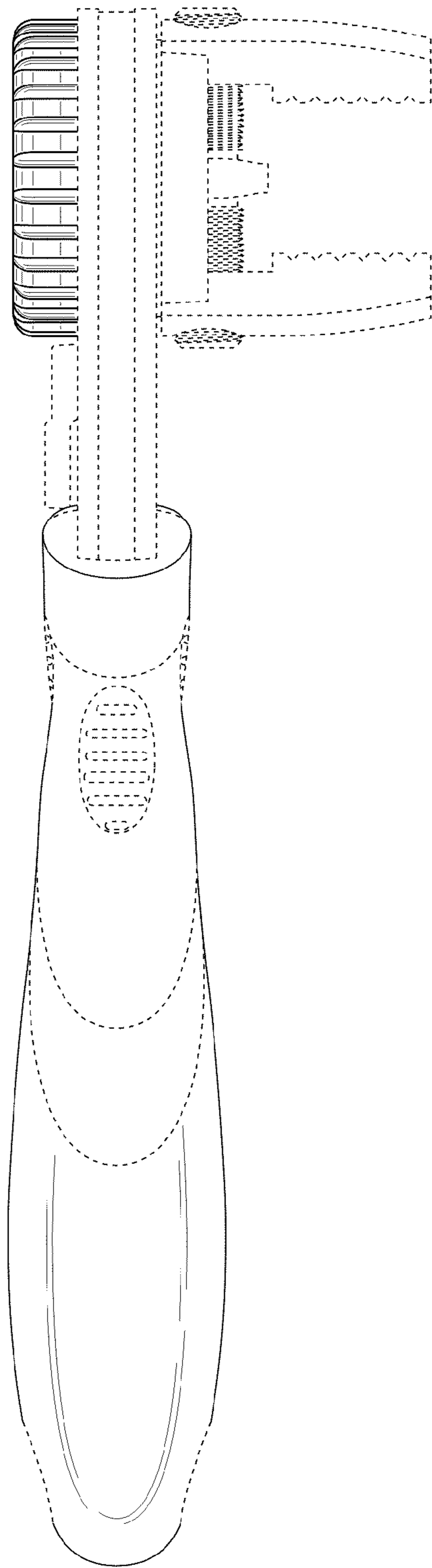


Fig. 5

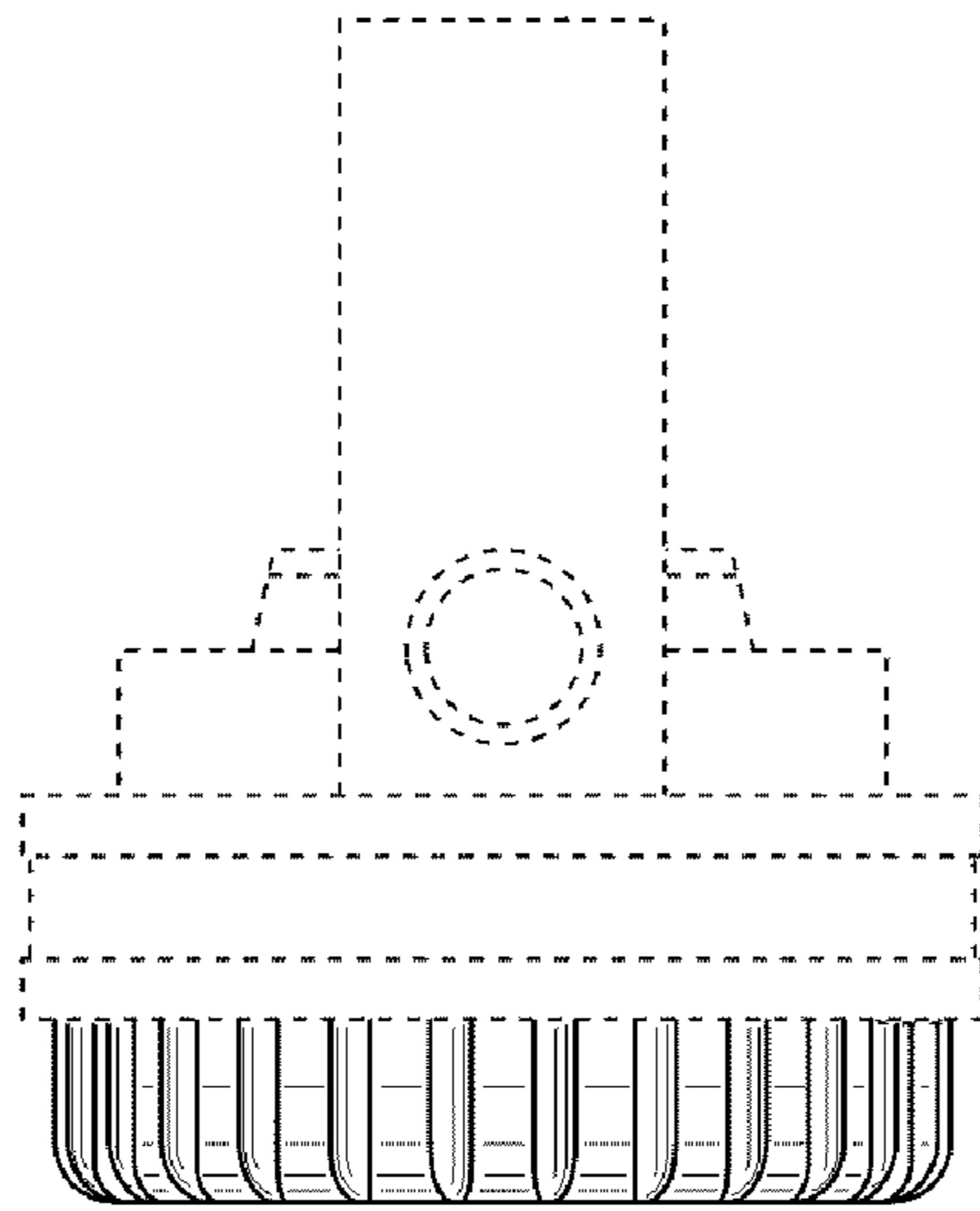


Fig. 6

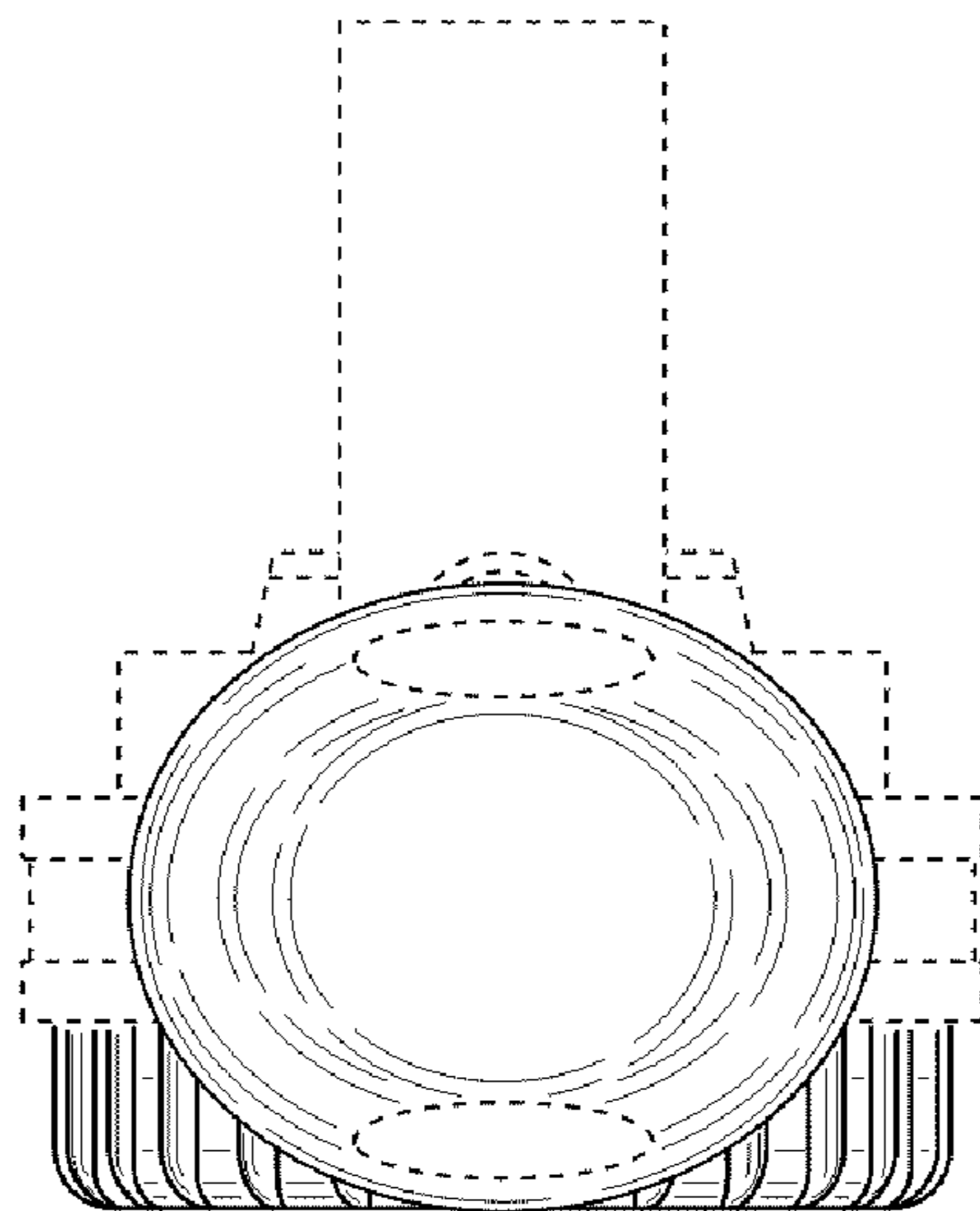


Fig. 7