



US00D633759S

(12) **United States Design Patent**
Lion et al.

(10) **Patent No.:** **US D633,759 S**
(45) **Date of Patent:** **** Mar. 8, 2011**

(54) **SPATULA**

(75) Inventors: **Mathieu Lion**, Paris (FR); **Lucas Bignon**, Paris (FR)

(73) Assignee: **Mastrad, S.A.**, Paris (FR)

(**) Term: **14 Years**

(21) Appl. No.: **29/368,017**

(22) Filed: **Aug. 17, 2010**

(51) **LOC (9) Cl.** **07-02**

(52) **U.S. Cl.** **D7/688**

(58) **Field of Classification Search** D7/688-692,
D7/393, 395, 653-664; 294/1.1, 7, 8; D32/40,
D32/43, 46

See application file for complete search history.

(56) **References Cited**

U.S. PATENT DOCUMENTS

D246,087 S *	10/1977	Peterson	D7/692
D393,185 S *	4/1998	Chen	D7/688
D481,916 S *	11/2003	Kortleven et al.	D7/692
D510,845 S *	10/2005	Holcomb et al.	D7/688

* cited by examiner

Primary Examiner — Terry A Wallace

(74) *Attorney, Agent, or Firm* — Connolly Bove Lodge & Hutz LLP

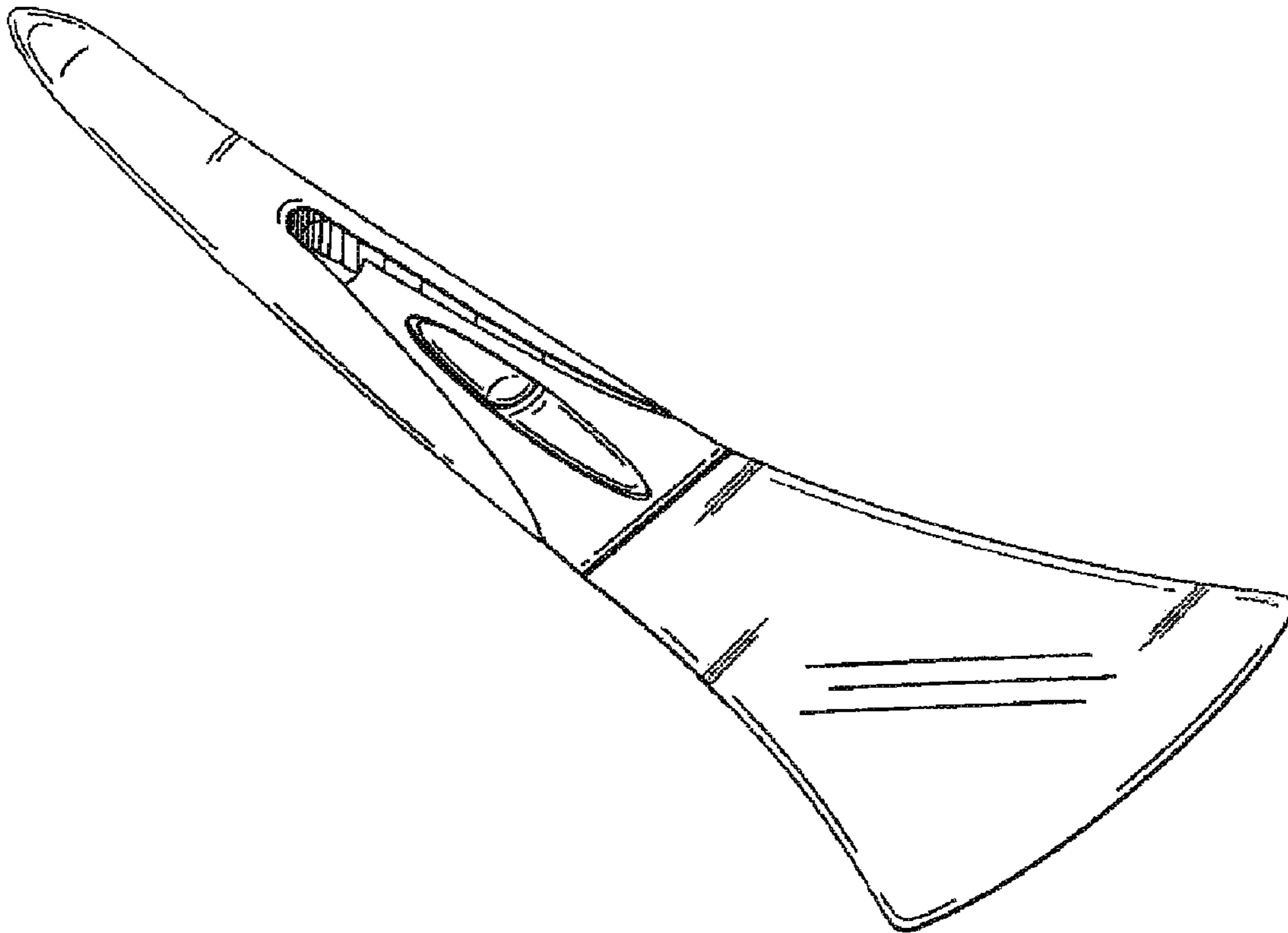
(57) **CLAIM**

The ornamental design for a spatula, as shown and described.

DESCRIPTION

FIG. 1 is a perspective view of the spatula;
FIG. 2 is a top view of the spatula shown in FIG. 1;
FIG. 3 is a bottom view of the spatula shown in FIG. 1; and,
FIG. 4 is a side view of the spatula shown in FIG. 1.

1 Claim, 4 Drawing Sheets



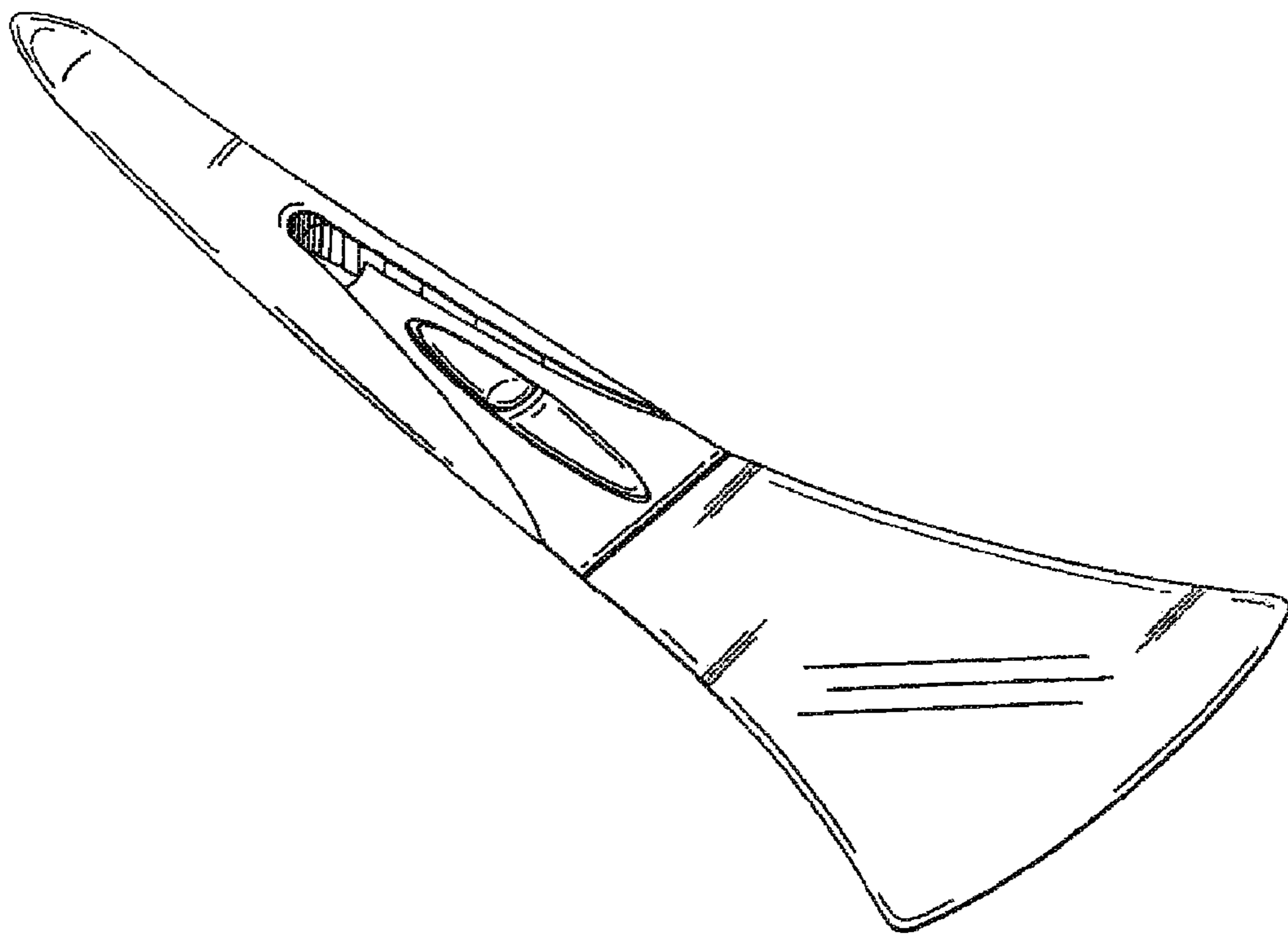


Figure 1

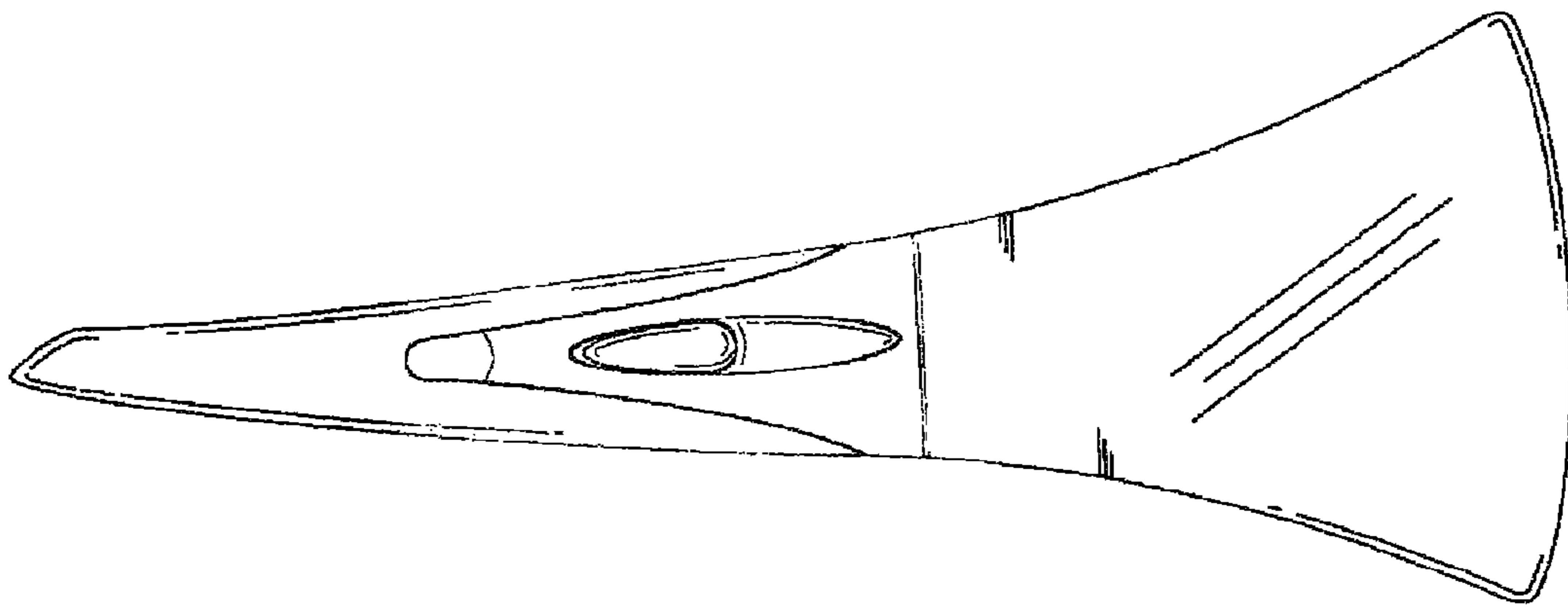


Figure 2

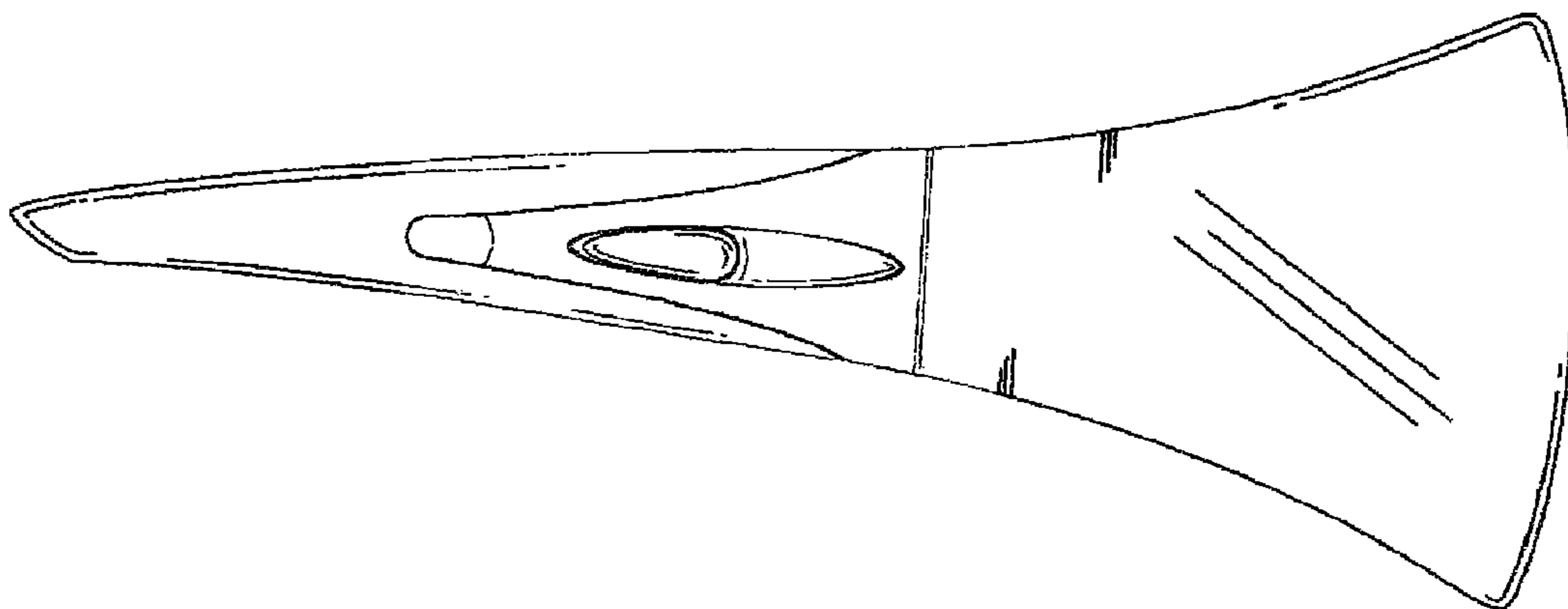


Figure 3

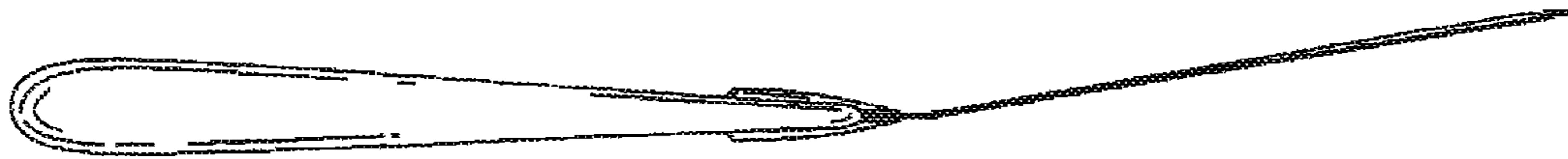


Figure 4