



US00D633758S

(12) **United States Design Patent**  
**Lion et al.**

(10) **Patent No.:** **US D633,758 S**  
(45) **Date of Patent:** **\*\* Mar. 8, 2011**

(54) **SPATULA** 6,851,574 B1 \* 2/2005 Traynor ..... 222/1

(75) Inventors: **Mathieu Lion**, Paris (FR); **Lucas Bignon**, Paris (FR)

(73) Assignee: **Mastrad, S.A.**, Paris (FR)

(\*\*) Term: **14 Years**

(21) Appl. No.: **29/364,933**

(22) Filed: **Jun. 30, 2010**

(51) **LOC (9) Cl.** ..... **07-02**

(52) **U.S. Cl.** ..... **D7/688**

(58) **Field of Classification Search** ..... D7/681-696,  
D7/393, 395, 368, 669, 643-653; 30/324-328;  
294/55; 15/236.07, 245.1, 236.01  
See application file for complete search history.

(56) **References Cited**

**U.S. PATENT DOCUMENTS**

4,615,120 A \* 10/1986 Newman ..... 30/324

\* cited by examiner

*Primary Examiner*—Terry A Wallace

(74) *Attorney, Agent, or Firm*—Connolly Bove Lodge & Hutz LLP

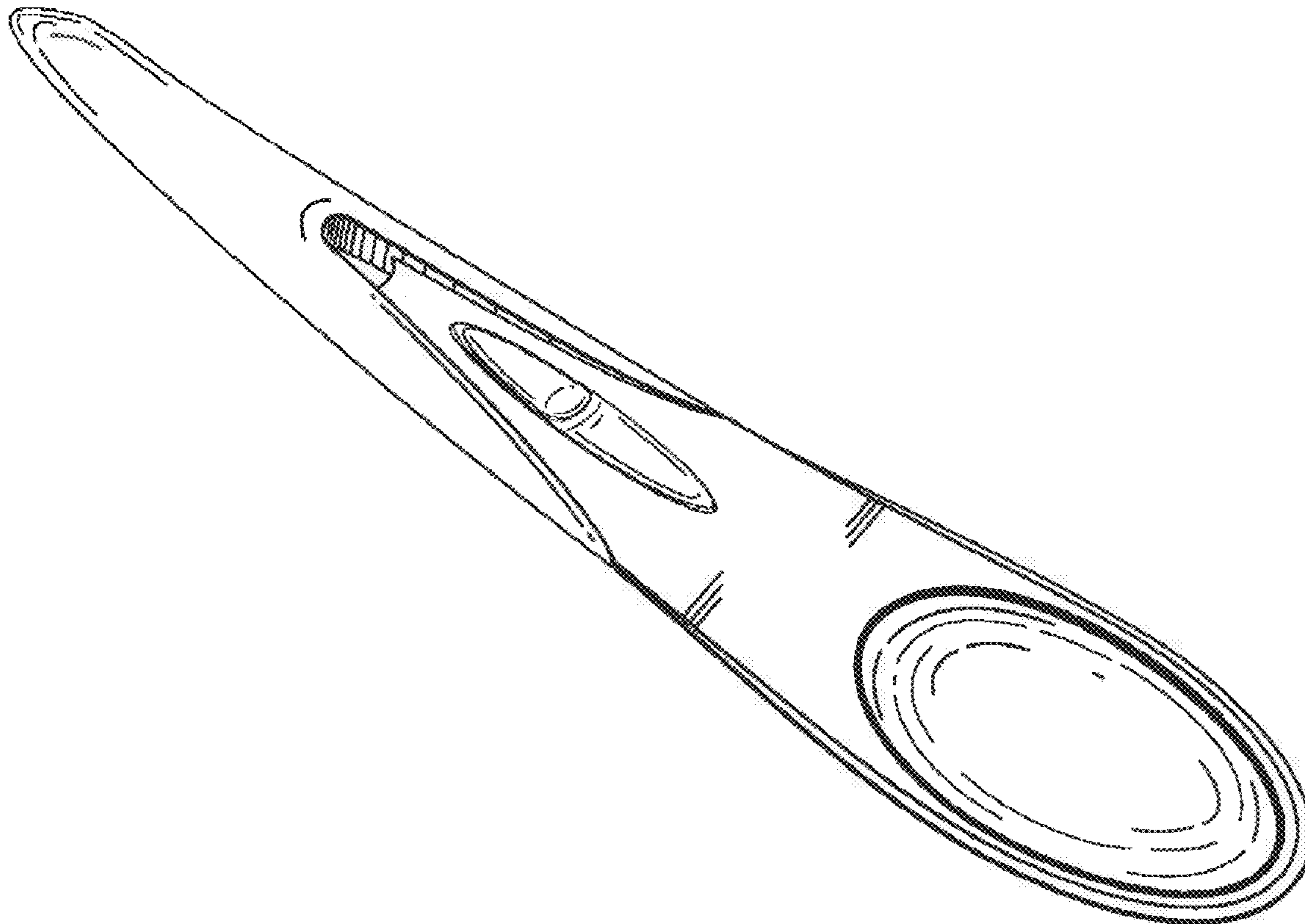
(57) **CLAIM**

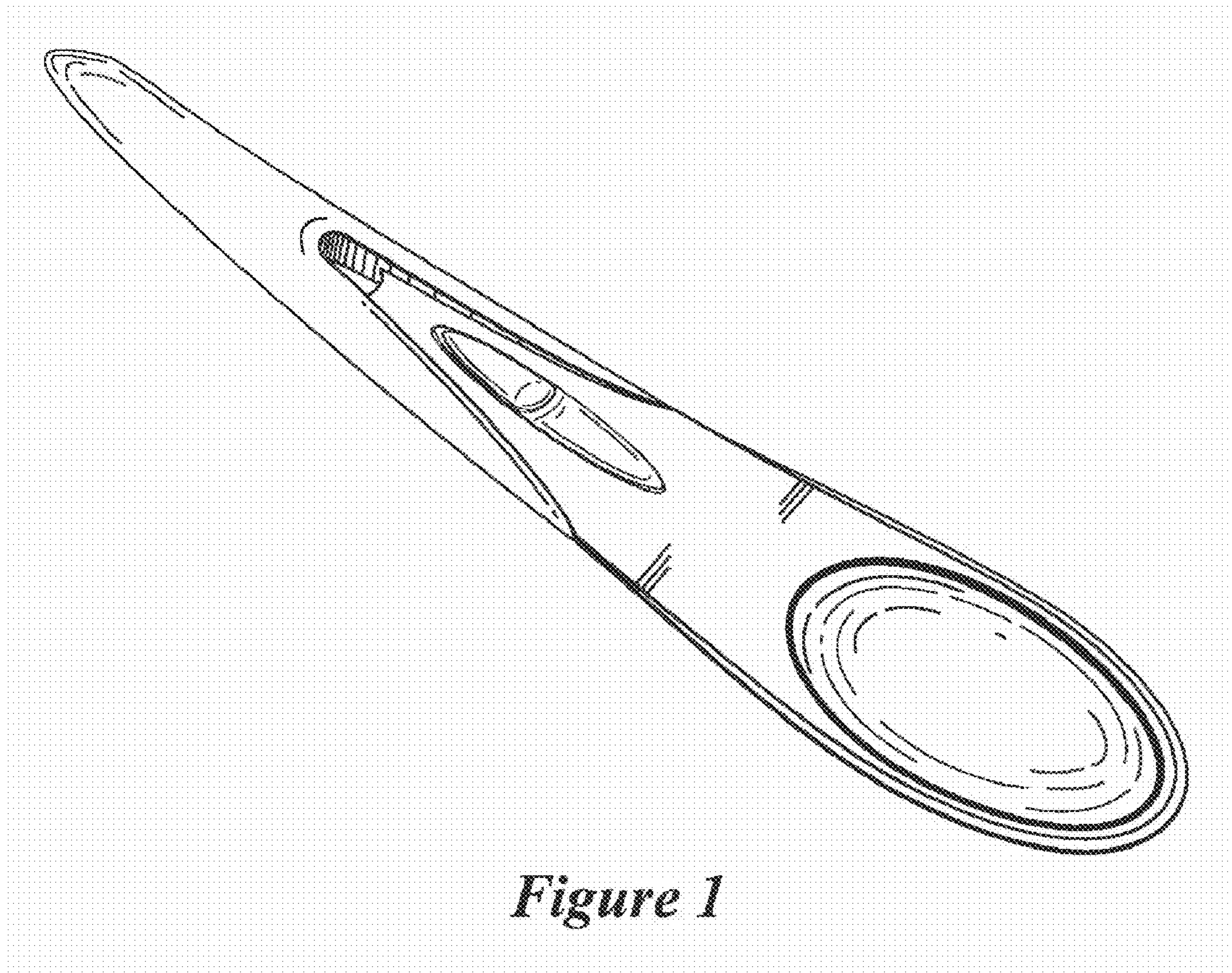
The ornamental design for a spatula, as shown and described.

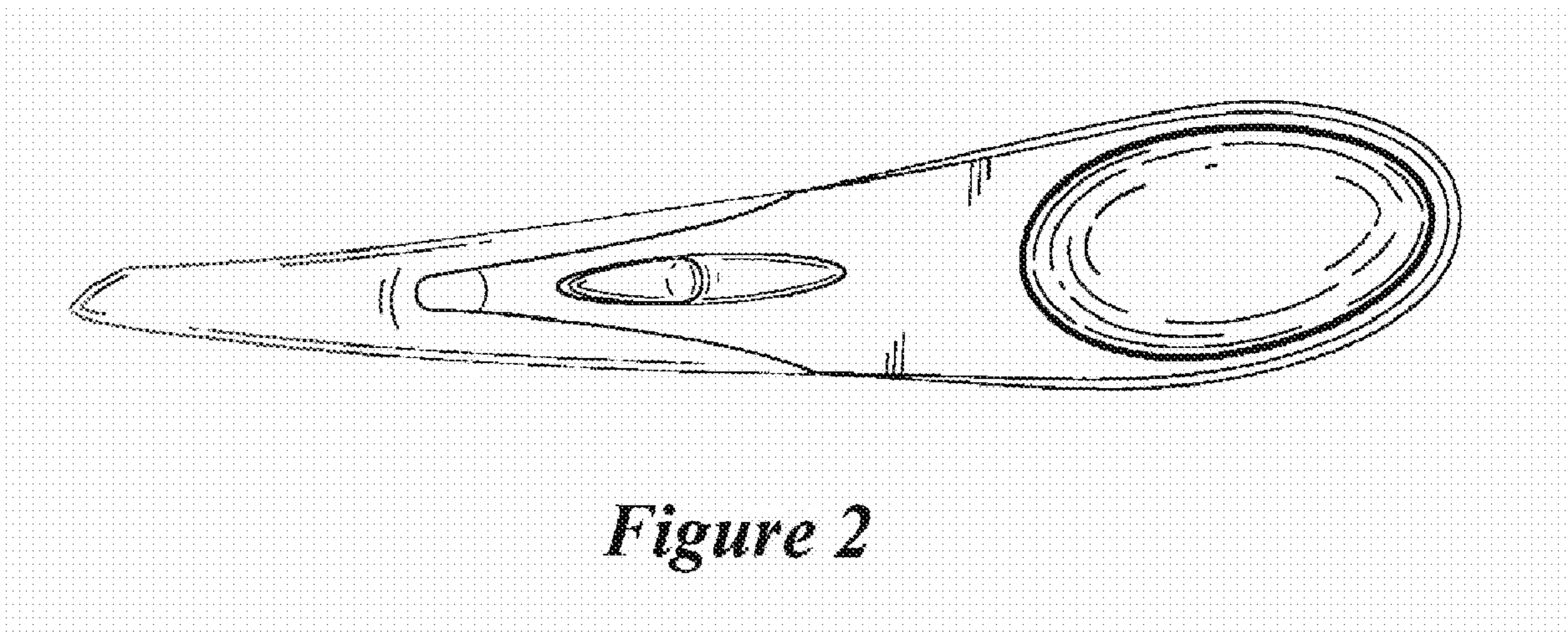
**DESCRIPTION**

FIG. 1 is a perspective view of the spatula;  
FIG. 2 is a top view of the spatula shown in FIG. 1;  
FIG. 3 is a bottom view of the spatula shown in FIG. 1; and,  
FIG. 4 is a side view of the spatula shown in FIG. 1.

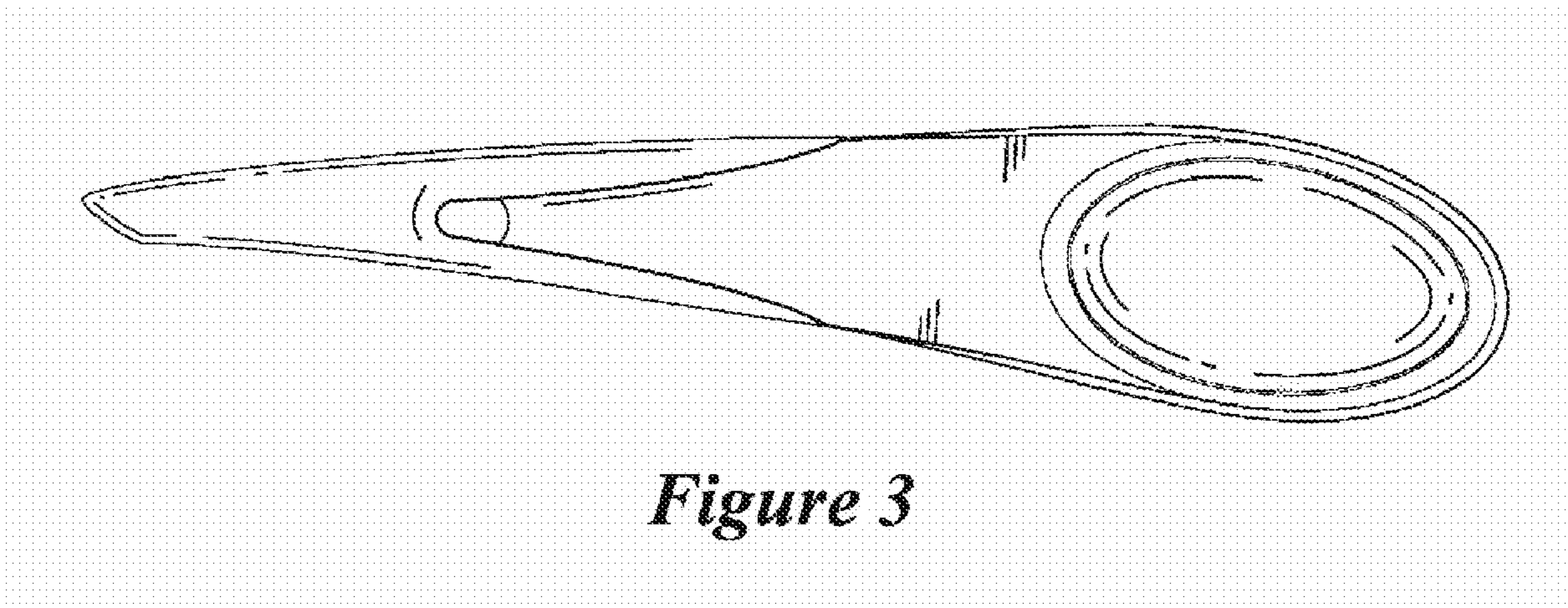
**1 Claim, 4 Drawing Sheets**





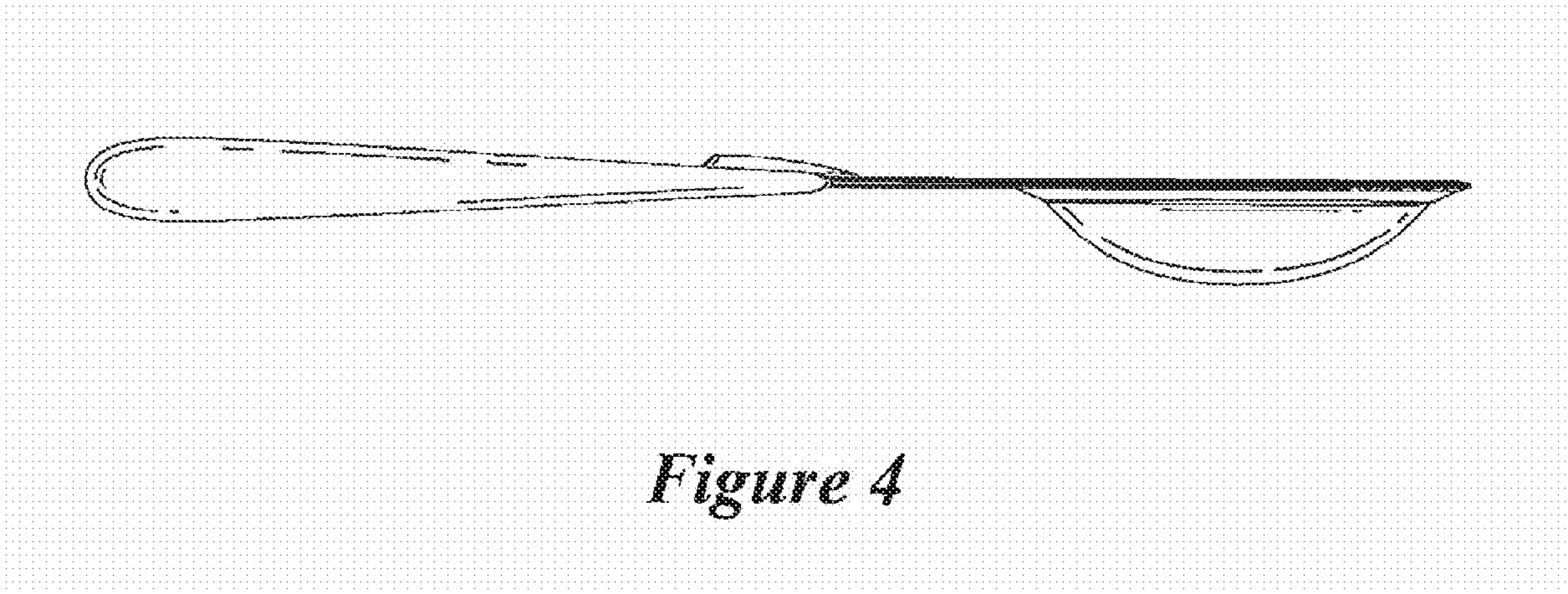


*Figure 2*



*Figure 3*





*Figure 4*