



US00D633756S

(12) **United States Design Patent**  
**Bagó et al.**

(10) **Patent No.:** **US D633,756 S**  
(45) **Date of Patent:** **\*\* Mar. 8, 2011**

(54) **FOOD STORAGE BOX**

D550,516 S \* 9/2007 Tsai ..... D7/629

(76) Inventors: **Akos Bagó**, Tizsakécske (HU); **Zsolt Kolorédi**, Balatonfüred (HU)

\* cited by examiner

*Primary Examiner*—Terry A Wallace  
(74) *Attorney, Agent, or Firm*—Ladas & Parry LLP

(\*\*) Term: **14 Years**

(21) Appl. No.: **29/329,200**

(57) **CLAIM**

(22) Filed: **Dec. 10, 2008**

We claim the ornamental design for a food storage box, as shown and described.

(51) **LOC (9) Cl.** ..... **07-07**

**DESCRIPTION**

(52) **U.S. Cl.** ..... **D7/629**

(58) **Field of Classification Search** ..... D7/601,  
D7/602, 629, 709, 538–542; D3/201, 203.1,  
D3/203.2, 203.6–203.8, 202, 205, 206, 207,  
D3/265, 273, 294; D9/424–432; 220/780–806  
See application file for complete search history.

FIG. 1 is a perspective view from the front of a first embodiment of a food storage box of our new design in a closed condition;

FIG. 2 is a perspective view thereof in an open condition;

FIG. 3 is a perspective view of a second embodiment of our design in a closed condition;

FIG. 4 is a perspective view thereof in an open condition of a third embodiment in an open condition; and,

FIG. 5 is a side view of the first embodiment of our new design.

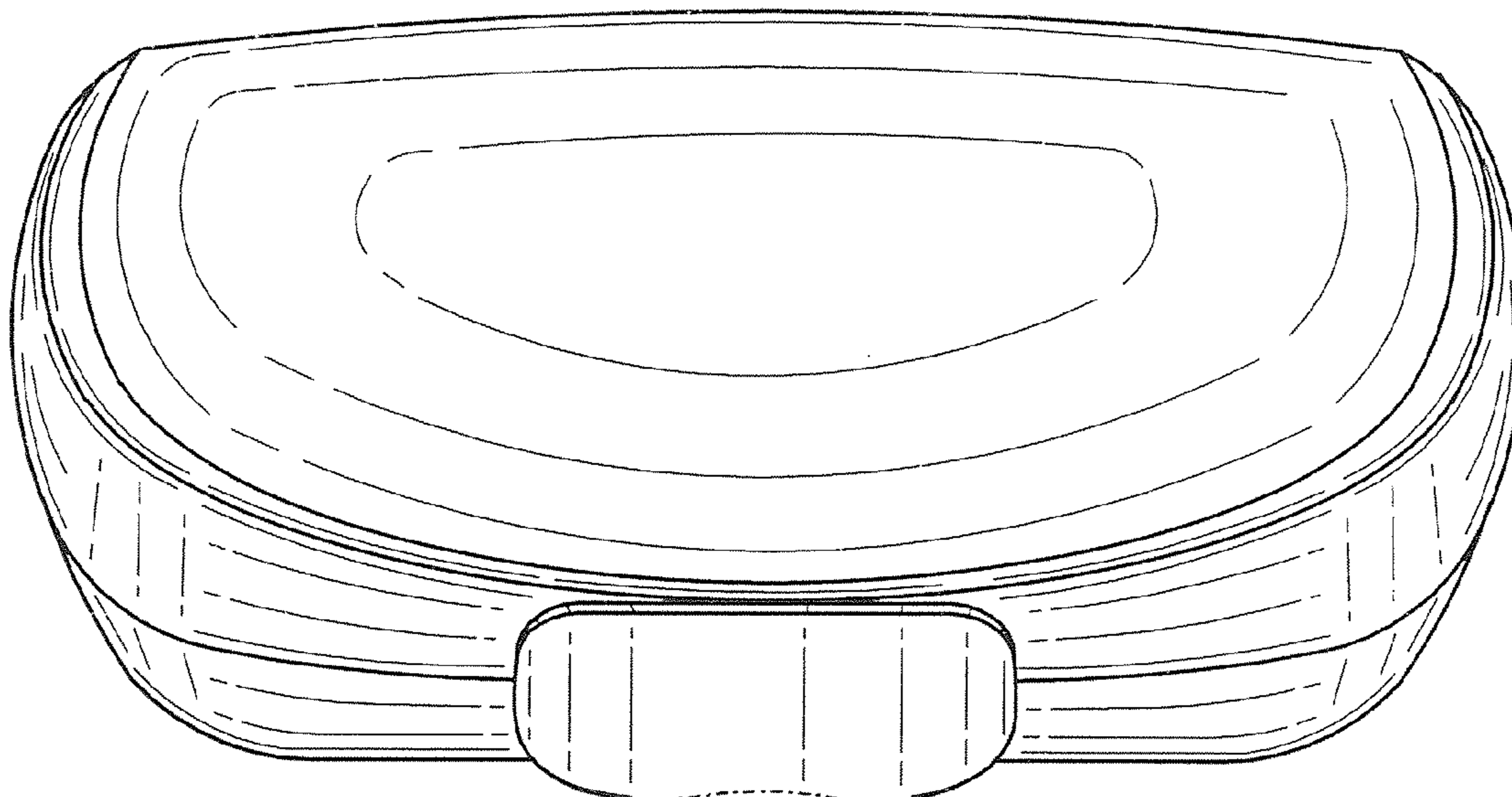
Features shown in broken lines show environmental structure and form no part of the claimed design.

(56) **References Cited**

**U.S. PATENT DOCUMENTS**

D257,790 S *	1/1981	Kesling	.....	D3/203.1
D322,031 S *	12/1991	Fleming	.....	D9/424
D353,744 S *	12/1994	Ferris et al.	.....	D7/629
D353,748 S *	12/1994	Ferris et al.	.....	D7/709
D430,727 S *	9/2000	Wisniewski	.....	D3/265
D479,401 S *	9/2003	Claypool	.....	D3/294
D480,277 S *	10/2003	Claypool	.....	D7/629

**1 Claim, 5 Drawing Sheets**



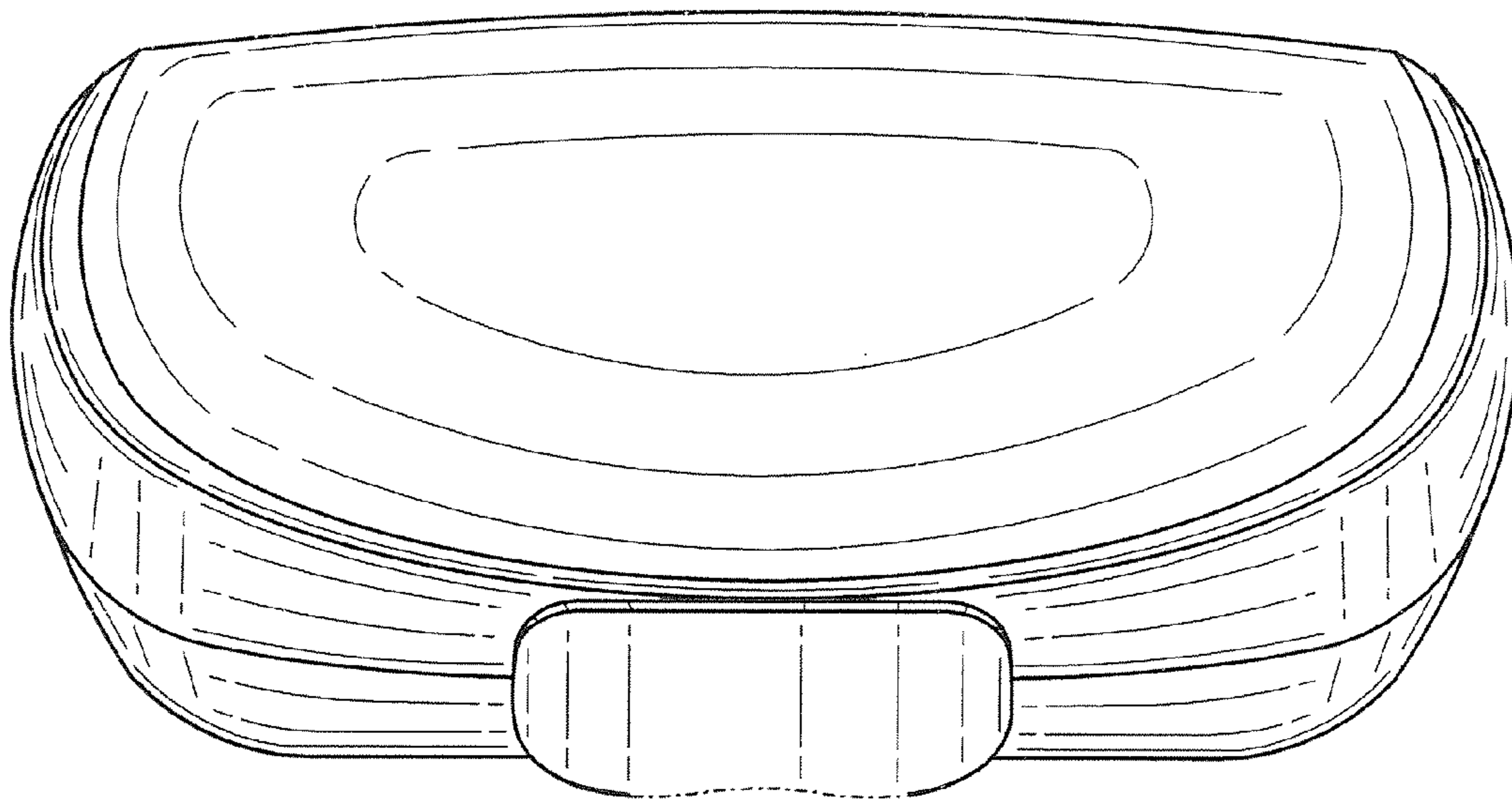


FIG. 1

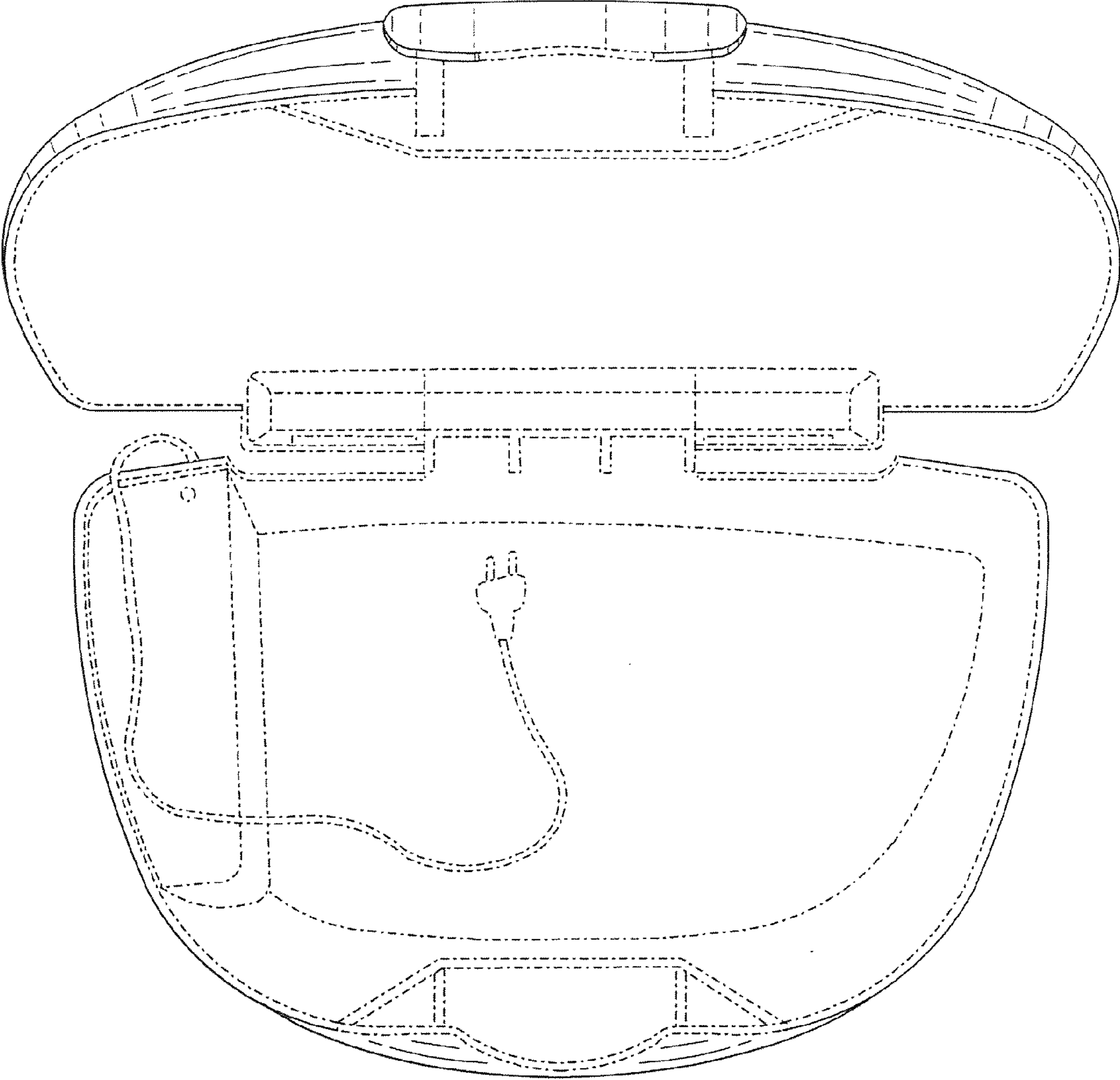


FIG. 2

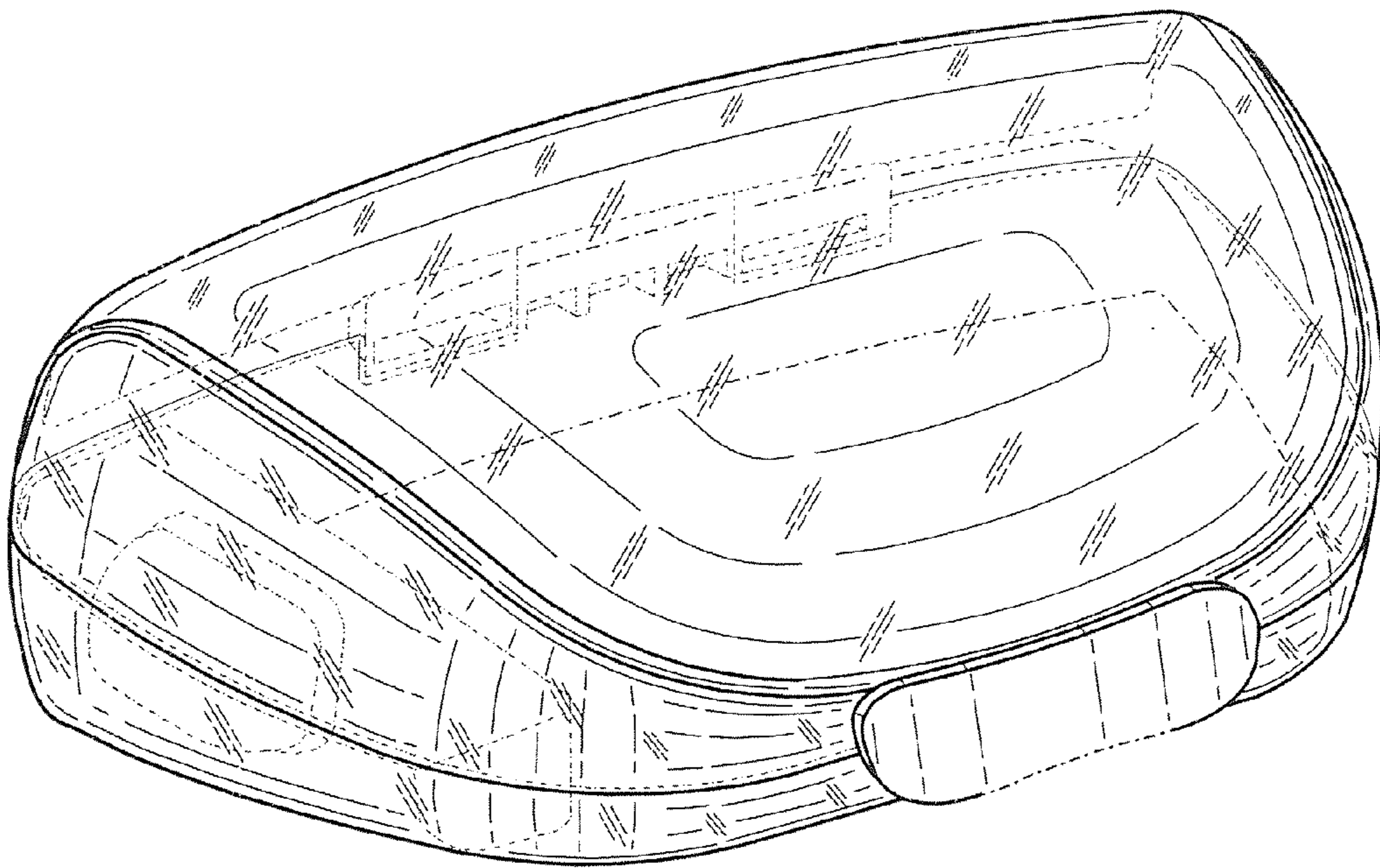


FIG. 3

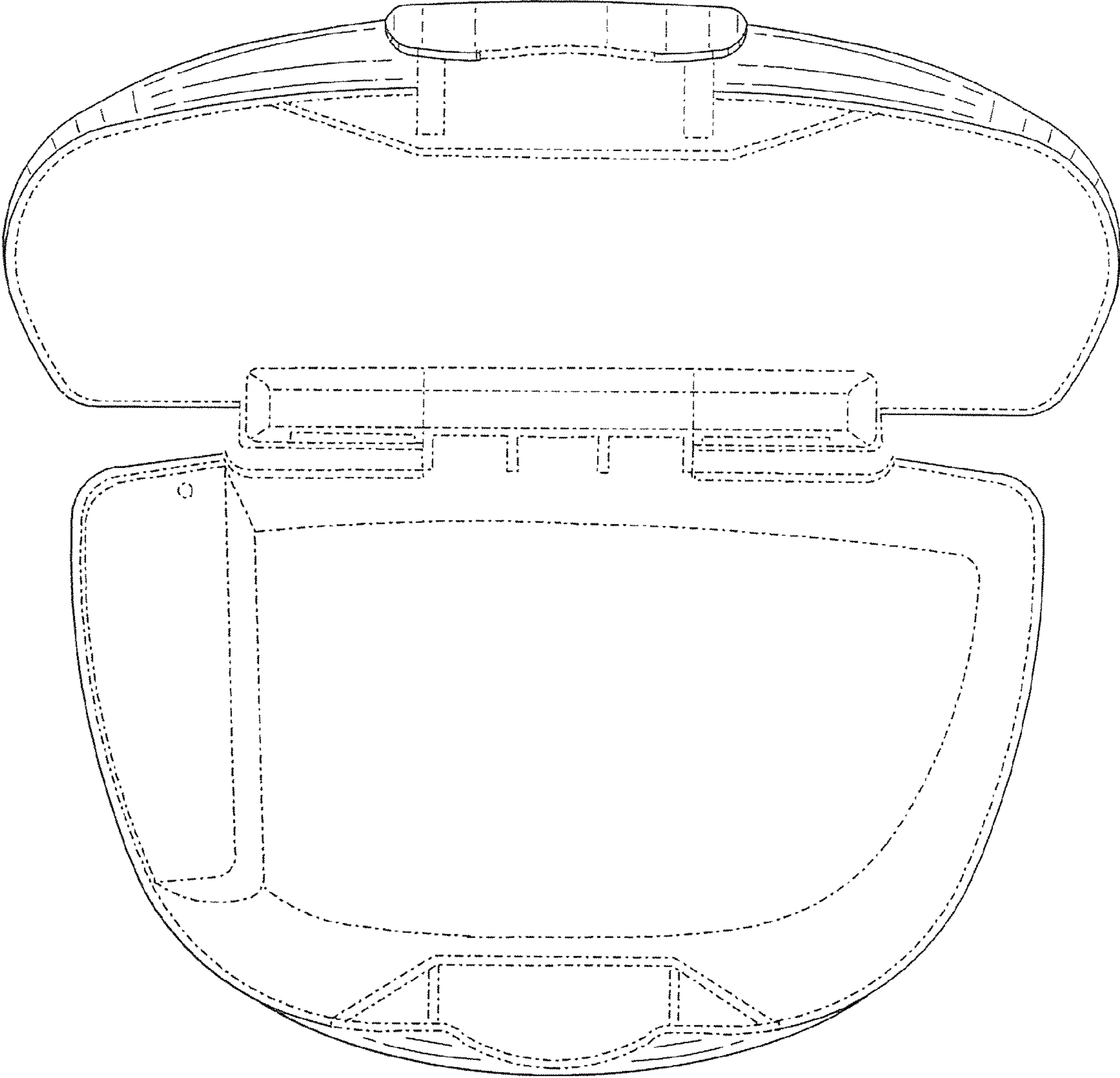


FIG. 4

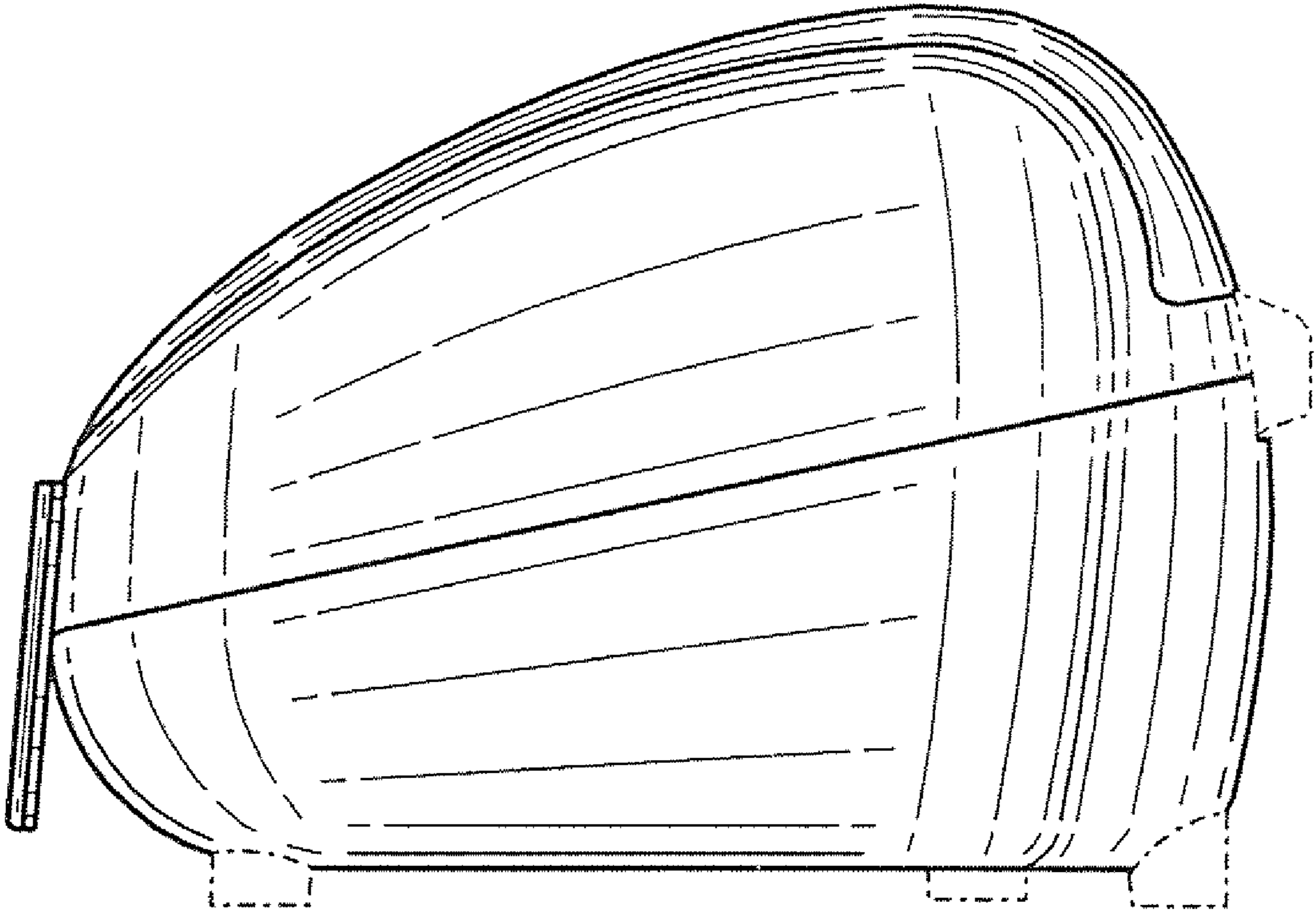


FIG. 5