



US00D633752S

(12) **United States Design Patent**  
**Macler**

(10) **Patent No.:** **US D633,752 S**  
(45) **Date of Patent:** **\*\* Mar. 8, 2011**

(54) **BAG SUPPORT VESSEL**

*Primary Examiner* — Marianne Pandozzi

(75) Inventor: **Jeffrey Macler**, Tecumseh, MO (US)

(74) *Attorney, Agent, or Firm* — Lewis, Rice & Fingersh, L.C.

(73) Assignee: **International Packaging Innovations, LLC**, St. Louis, MO (US)

(\*\*) Term: **14 Years**

(57) **CLAIM**

The ornamental design for a bag support vessel, as shown and described.

(21) Appl. No.: **29/343,017**

(22) Filed: **Sep. 4, 2009**

(51) **LOC (9) Cl.** ..... **07-99**

(52) **U.S. Cl.** ..... **D7/397; D7/306; D7/313**

(58) **Field of Classification Search** ..... D7/300,  
D7/397, 306, 313, 312; D6/542; D32/30;  
222/81, 83, 146.6, 185.1

See application file for complete search history.

**DESCRIPTION**

FIG. 1 is a perspective view of a bag support vessel showing my new design;  
FIG. 2 is a front view of a bag support vessel;  
FIG. 3 is a back view of a bag support vessel;  
FIG. 4 is a right side view of a bag support vessel;  
FIG. 5 is a left side of a bag support vessel;  
FIG. 6 is a top view of a bag support vessel;  
FIG. 7 is a bottom view of a bag support vessel; and,  
FIG. 8 is an in use perspective view of a bag support vessel as it would be when placed on a countertop dispensing unit.  
The broken line showing of a countertop dispensing unit in FIG. 8 is included for the purpose of illustration and forms no part of the claimed design.

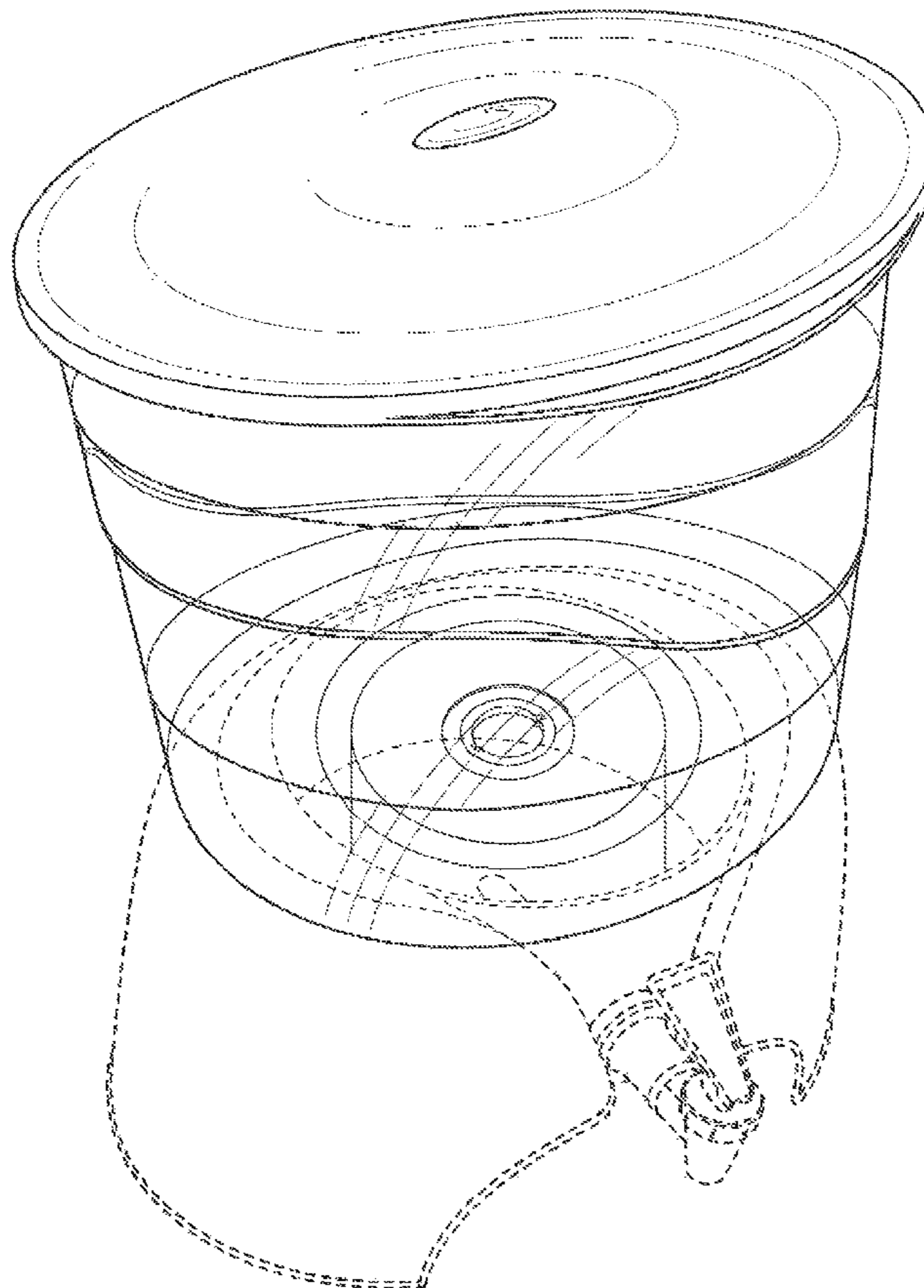
(56) **References Cited**

**U.S. PATENT DOCUMENTS**

4,491,244	A *	1/1985	Yanes	.....	222/88
4,834,250	A *	5/1989	Dumbeck et al.	.....	222/183
4,993,229	A *	2/1991	Baus et al.	.....	62/3.64
D512,595	S *	12/2005	Claassen	.....	D7/306
D513,928	S *	1/2006	Birdsell et al.	.....	D7/397
D600,498	S *	9/2009	Ma et al.	.....	D7/397

\* cited by examiner

**1 Claim, 8 Drawing Sheets**



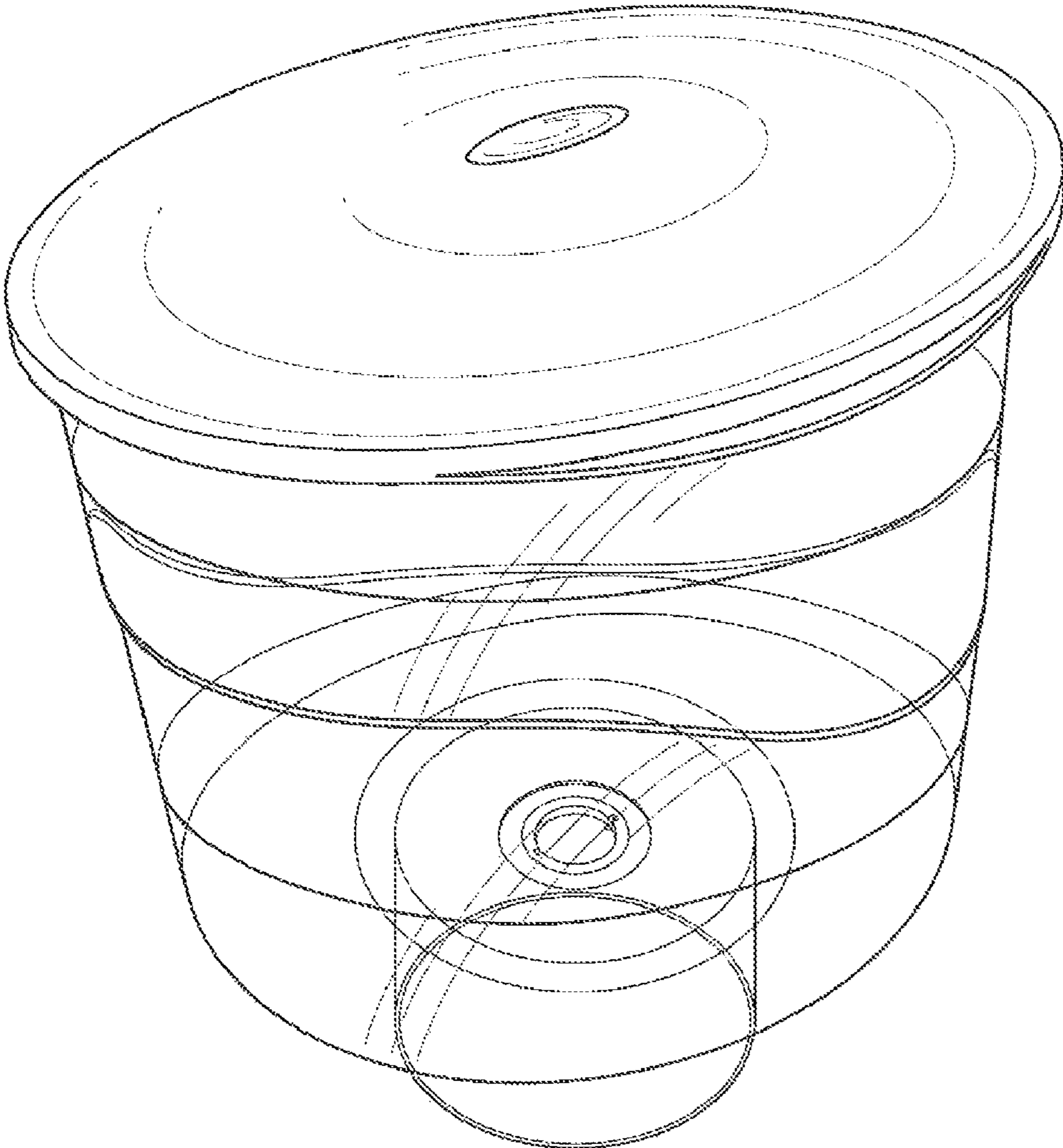


FIG. 1

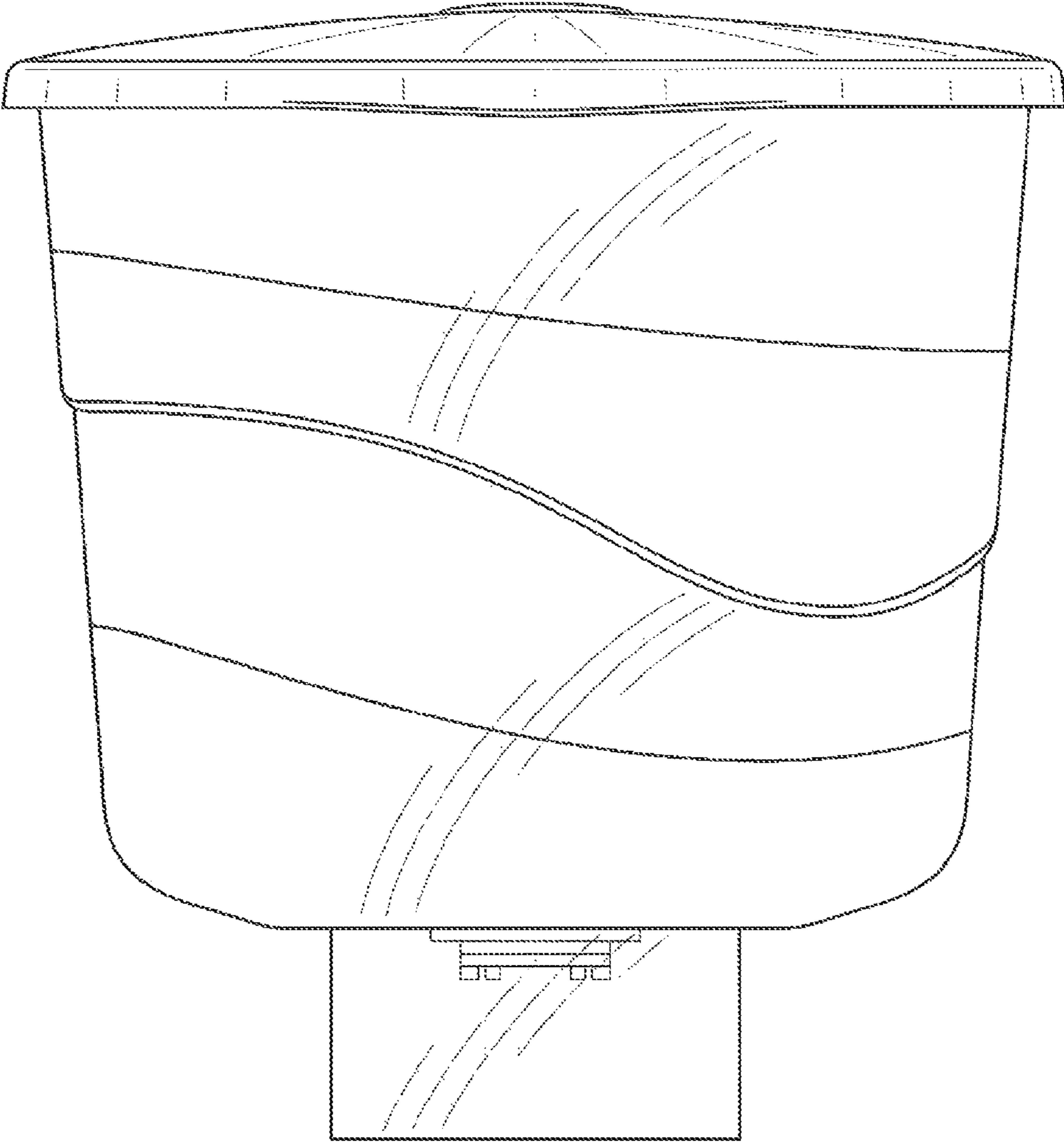


FIG. 2

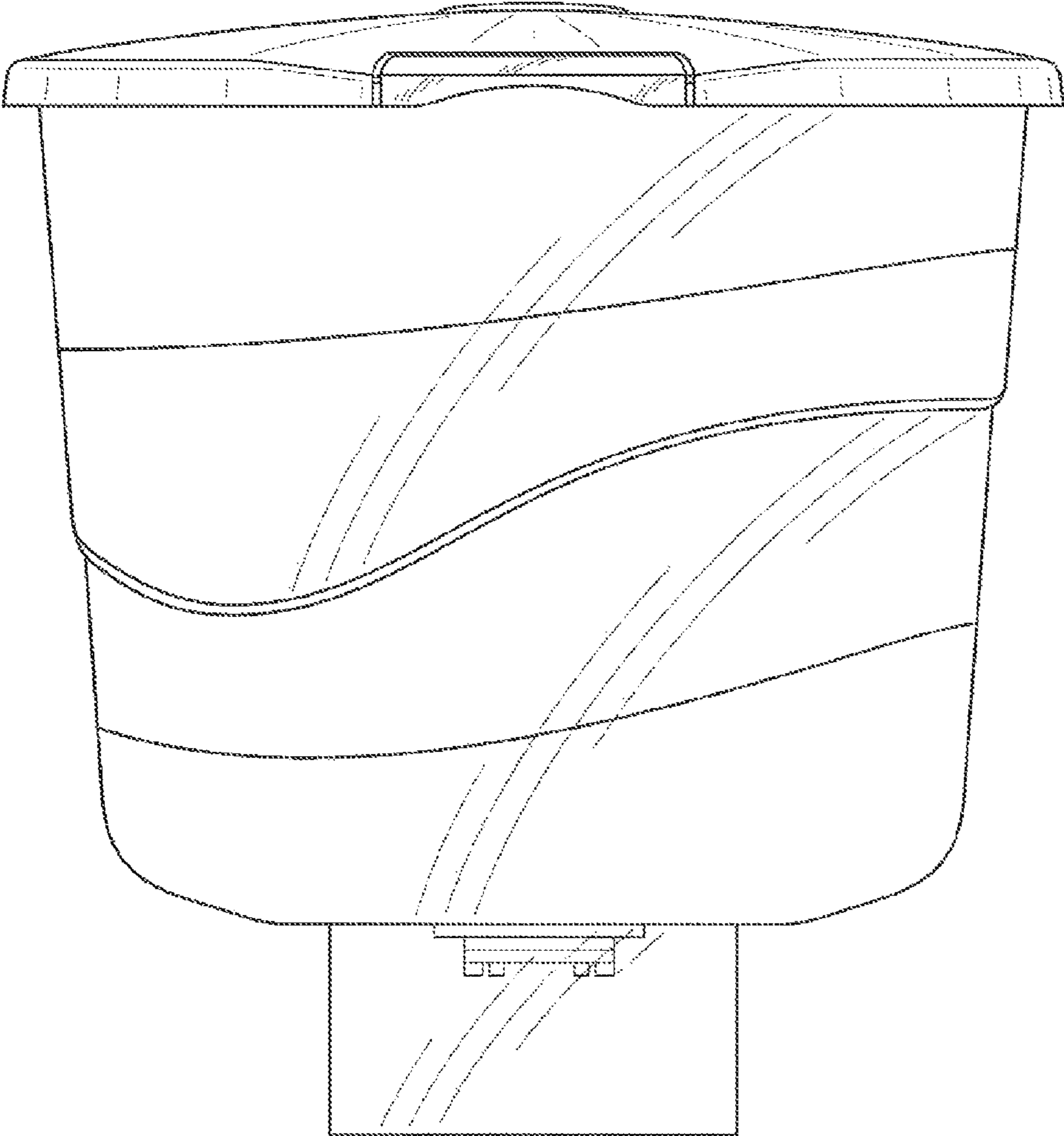


FIG. 3

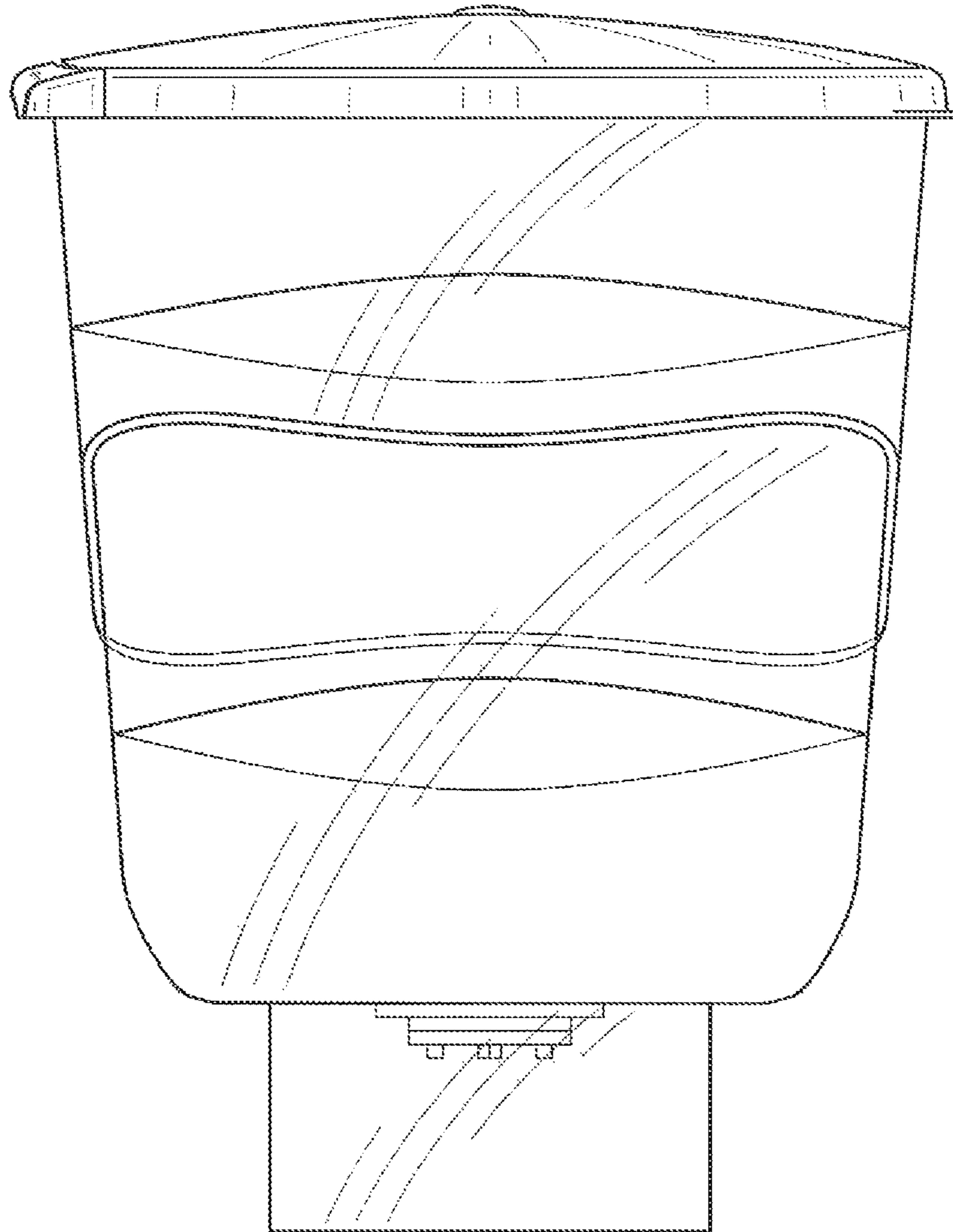


FIG. 4

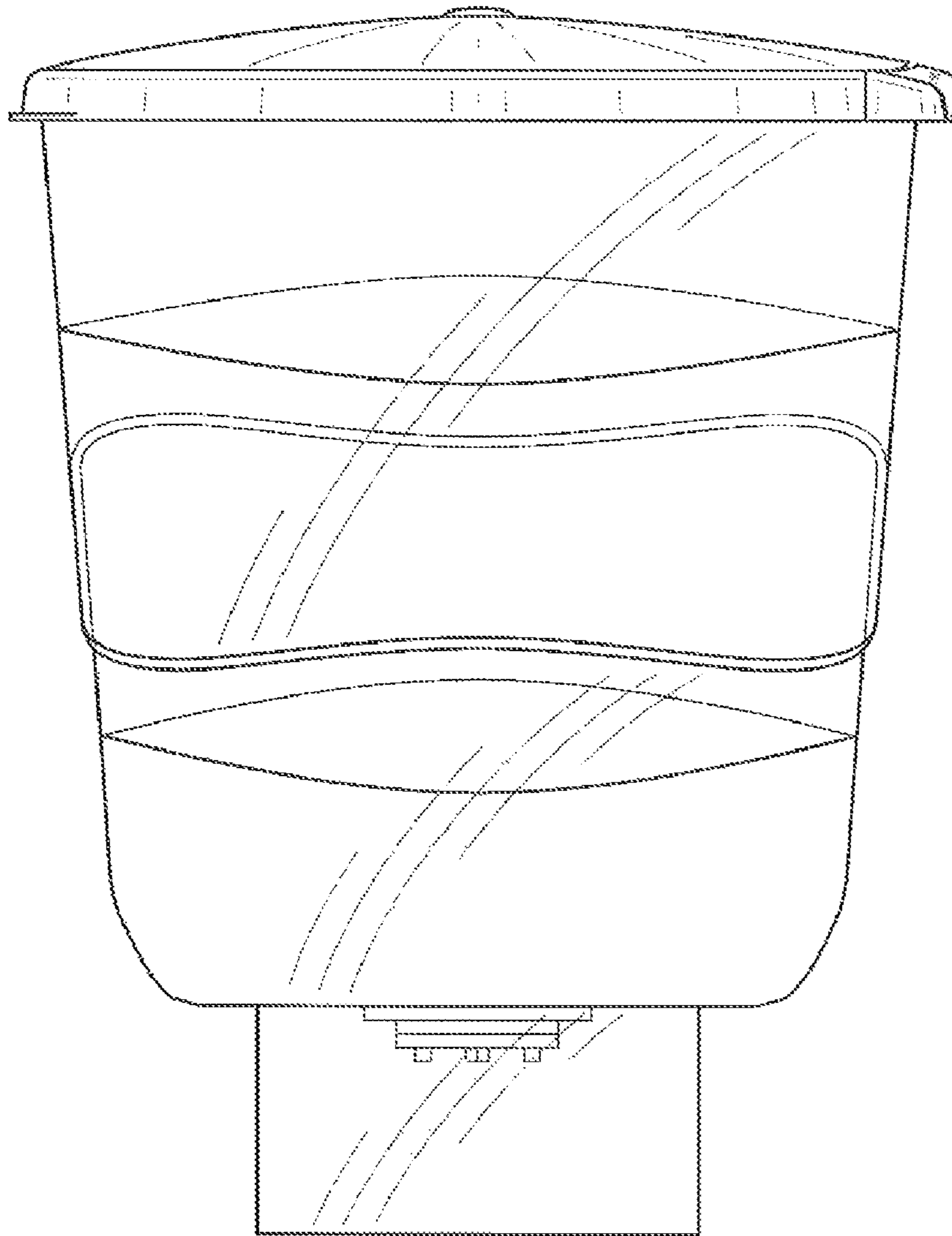


FIG. 5

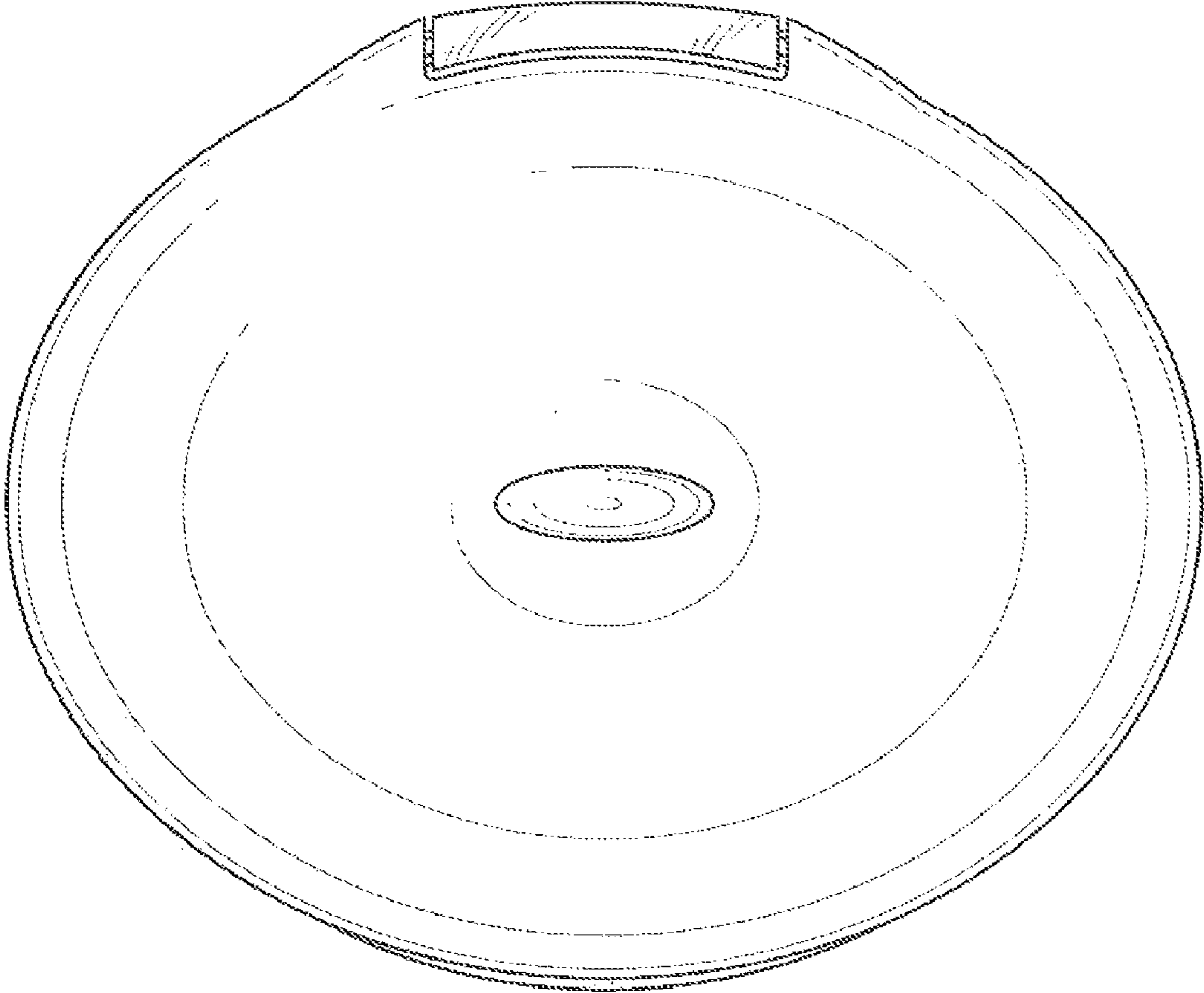


FIG. 6

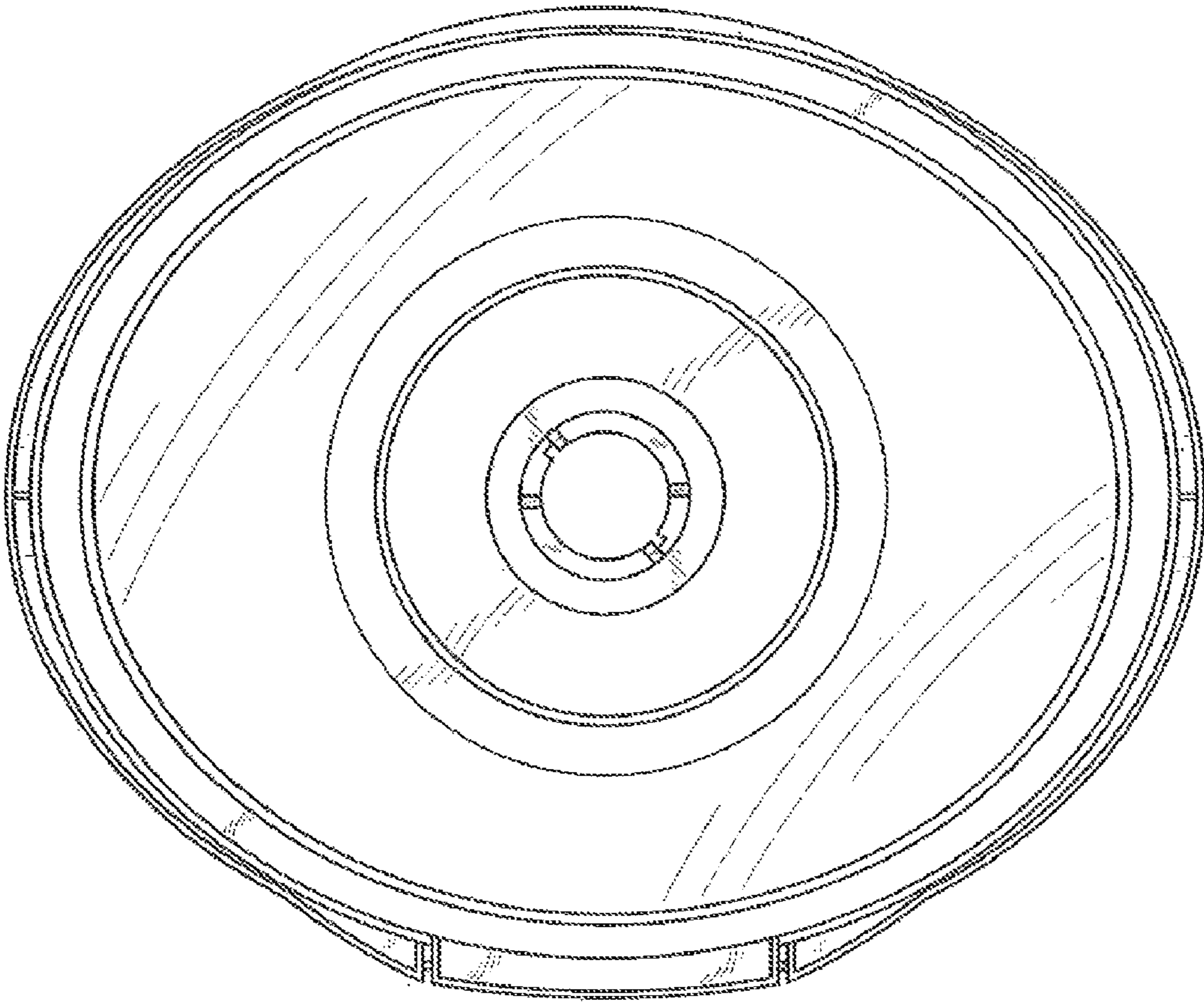


FIG. 7



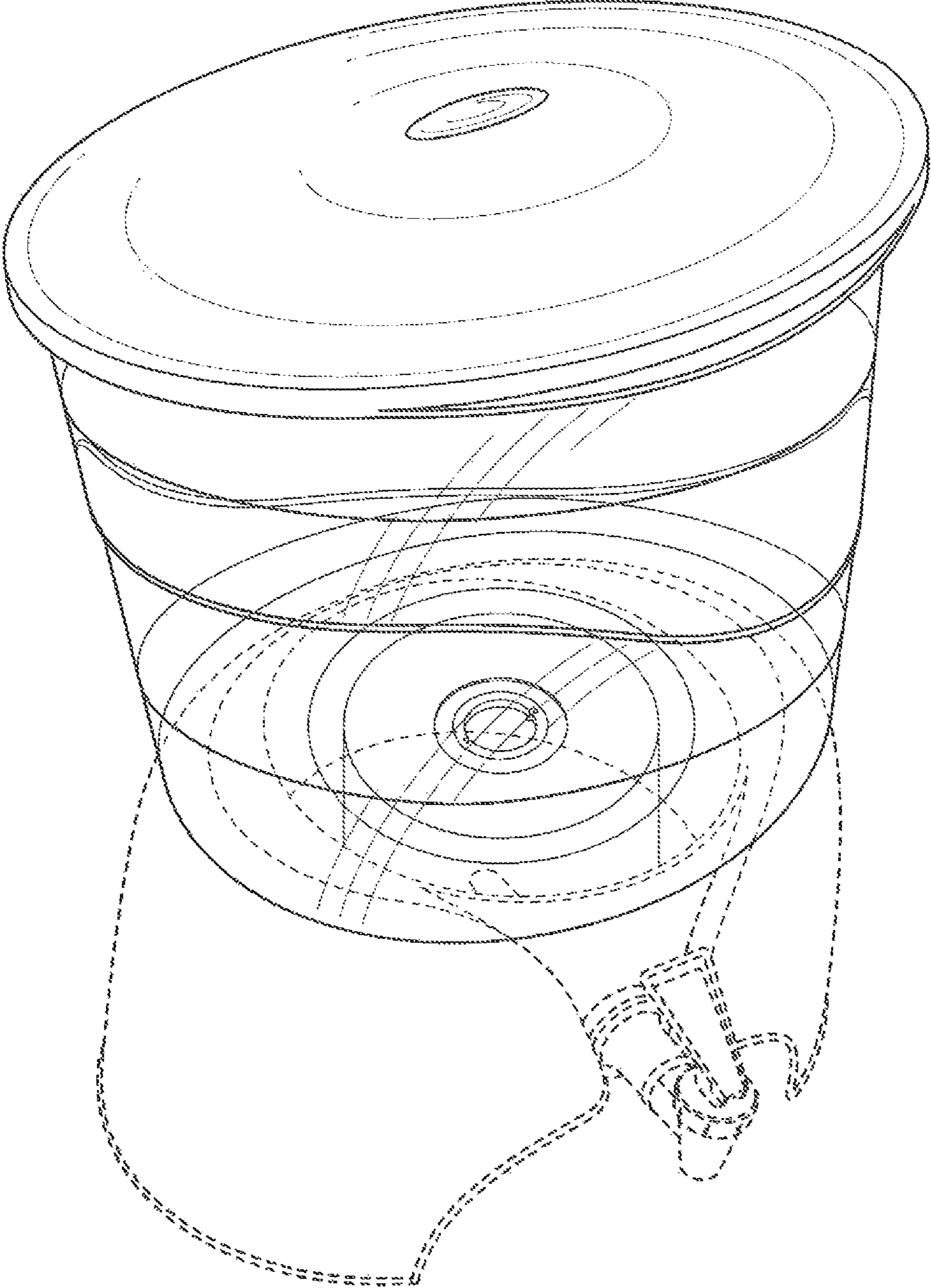


FIG. 8