



US00D633748S

(12) **United States Design Patent**
Haskin

(10) **Patent No.:** **US D633,748 S**

(45) **Date of Patent:** **** Mar. 8, 2011**

(54) **KETTLE POPPER**

(76) Inventor: **John R. Haskin**, Dexter, MI (US)

(**) Term: **14 Years**

(21) Appl. No.: **29/377,564**

(22) Filed: **Oct. 22, 2010**

(51) **LOC (9) Cl.** **31-00**

(52) **U.S. Cl.** **D7/325**

(58) **Field of Classification Search** D7/323,
D7/325, 354-361; D20/1; D21/811; D34/12-27;
99/323.4-323.11; 219/620-621, 626-627;
426/101-107, 241-243, 445
See application file for complete search history.

(56) **References Cited**

U.S. PATENT DOCUMENTS

D87,934 S *	10/1932	Meyer	D21/811
D95,156 S *	4/1935	Soellner	D21/811
D163,497 S *	5/1951	Waas	D7/325
D177,456 S *	4/1956	Altemiller	D7/325
2,972,292 A *	2/1961	Waas et al.	99/323.8
D279,069 S *	6/1985	Goodlaxson	D7/325
D386,231 S *	11/1997	Wei	D21/811
D389,891 S *	1/1998	Kawasaki	D21/811
D421,284 S *	2/2000	Huang	D21/811
D551,016 S *	9/2007	Bond	D7/325

D552,405 S *	10/2007	Bond	D7/325
D628,428 S *	12/2010	Bond	D7/325
D628,847 S *	12/2010	Liu	D7/325

* cited by examiner

Primary Examiner — Ricky Pham

(74) *Attorney, Agent, or Firm* — Gifford, Krass, Sprinkle,
Anderson & Citkowski, P.C.

(57) **CLAIM**

I claim the ornamental design for a kettle popper, as shown and described.

DESCRIPTION

FIG. 1 is front planar view of a kettle popper according to the design, the features shown in phantom being conventional and not forming part of the ornamental design;

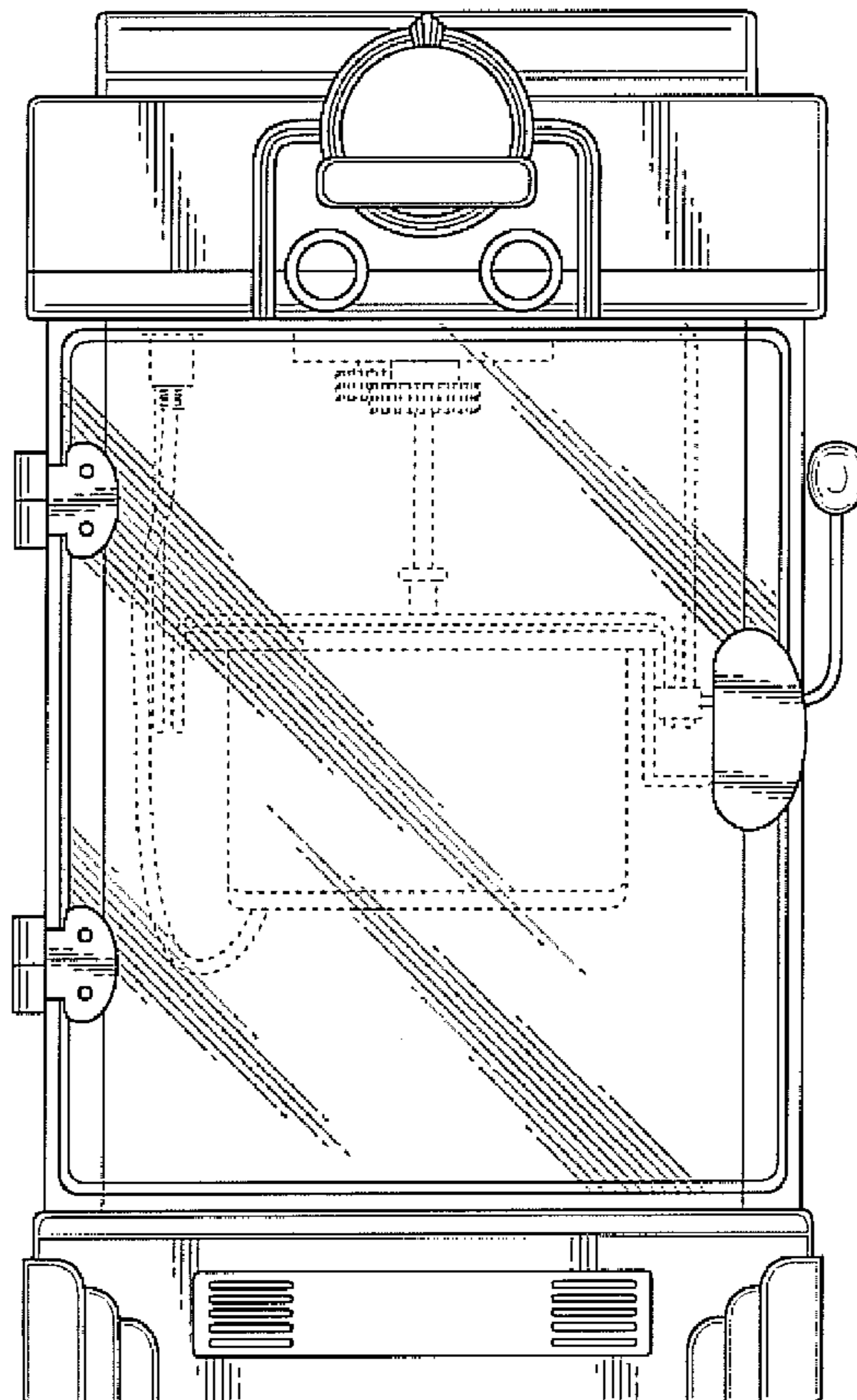
FIG. 2 is rear planar view of the design, the features shown in phantom being conventional and not forming part of the ornamental design;

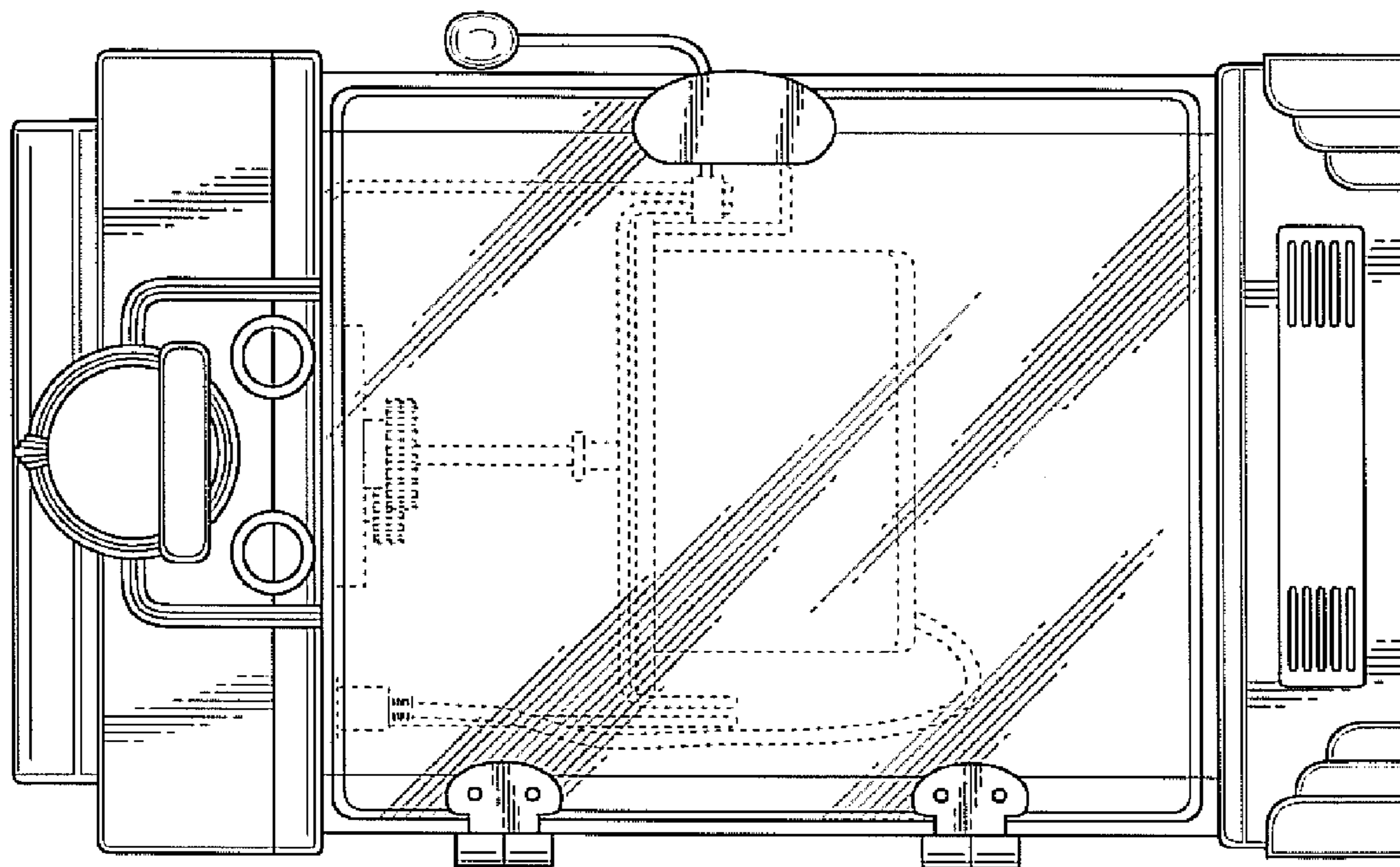
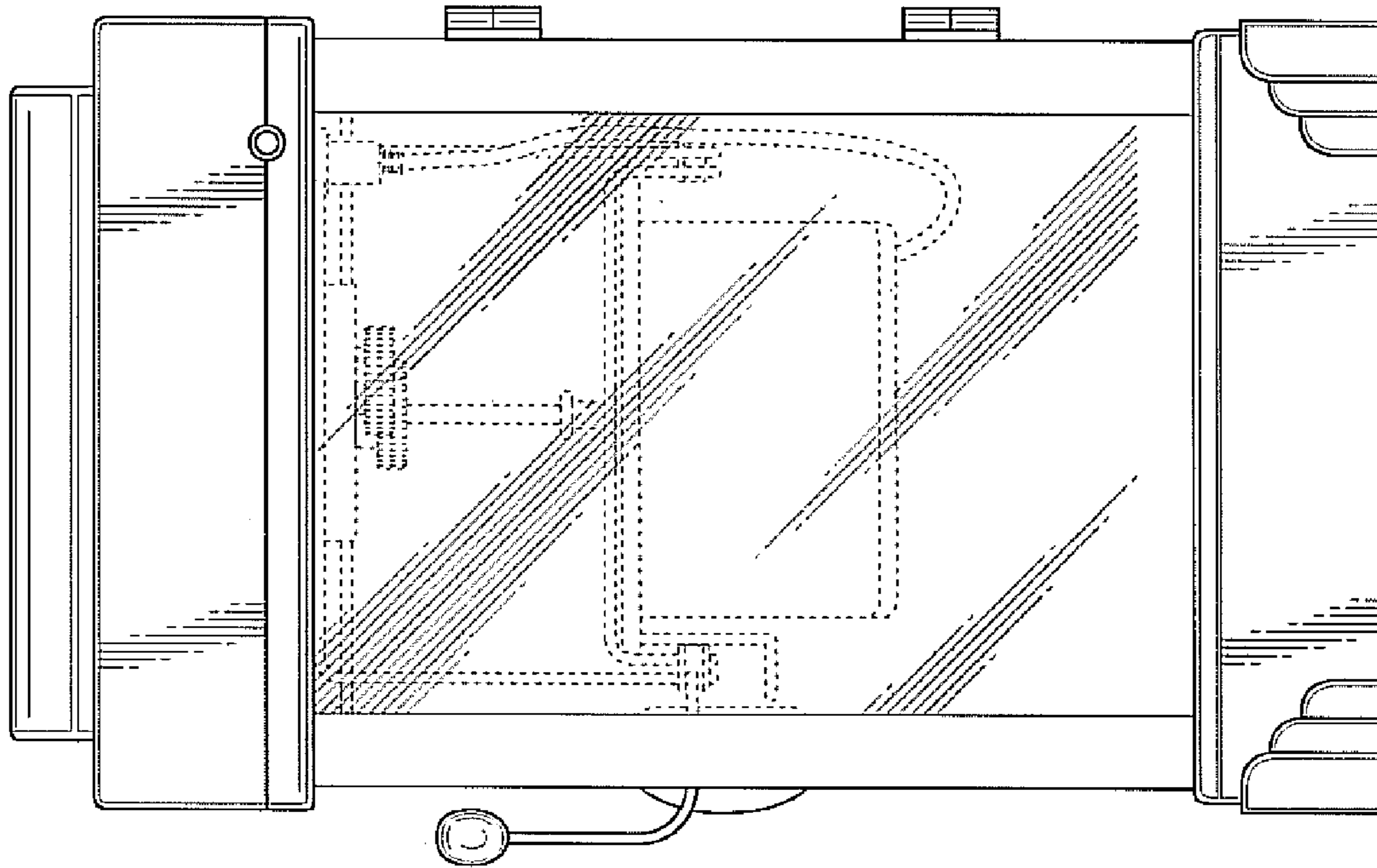
FIG. 3 is left side planar view of the design, the features shown in phantom being conventional and not forming part of the ornamental design;

FIG. 4 is a right side planar view of the design, the features shown in phantom being conventional and not forming part of the ornamental design; and,

FIG. 5. is a top planar view of the design.

1 Claim, 3 Drawing Sheets





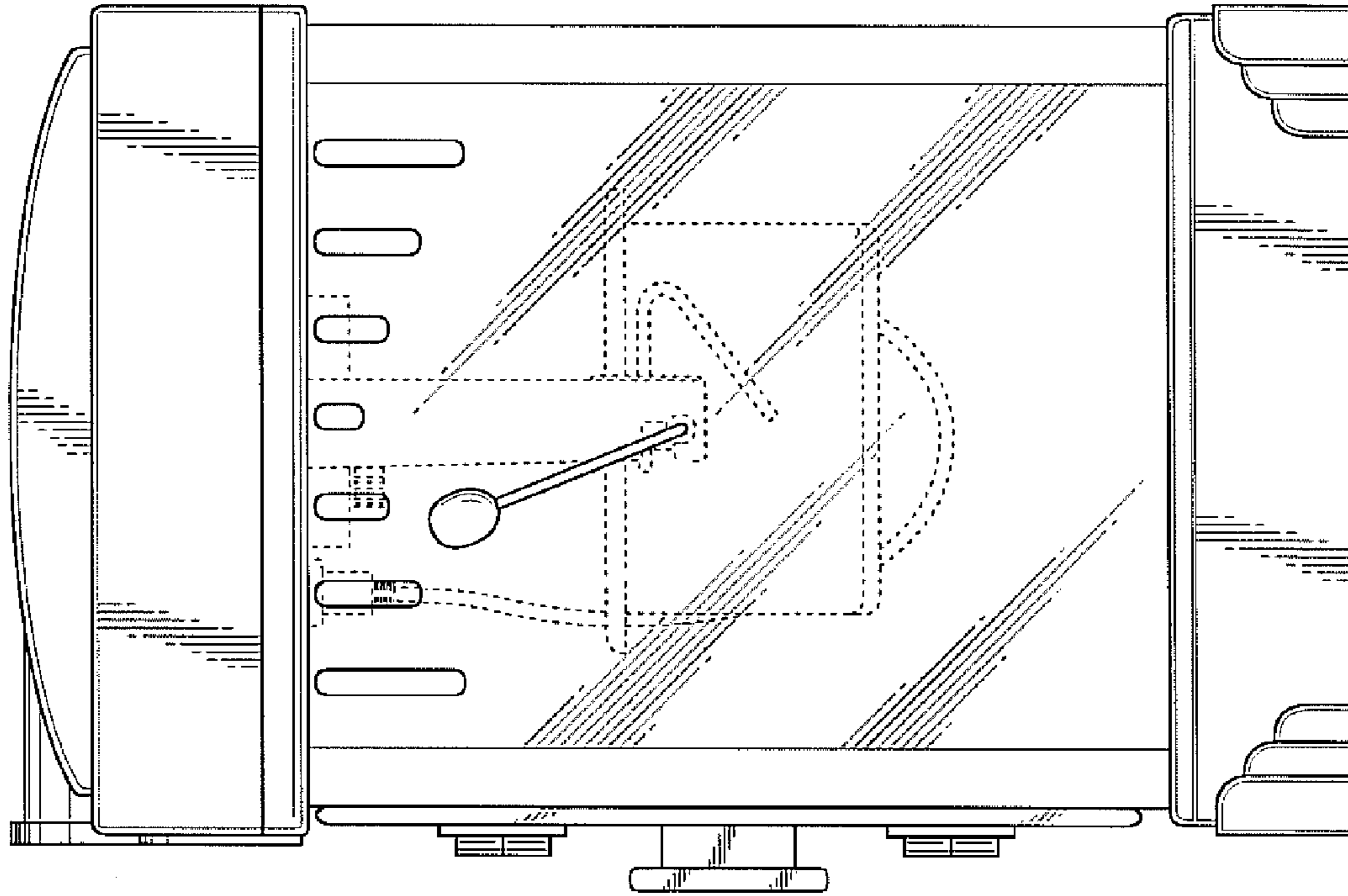


FIG. 4

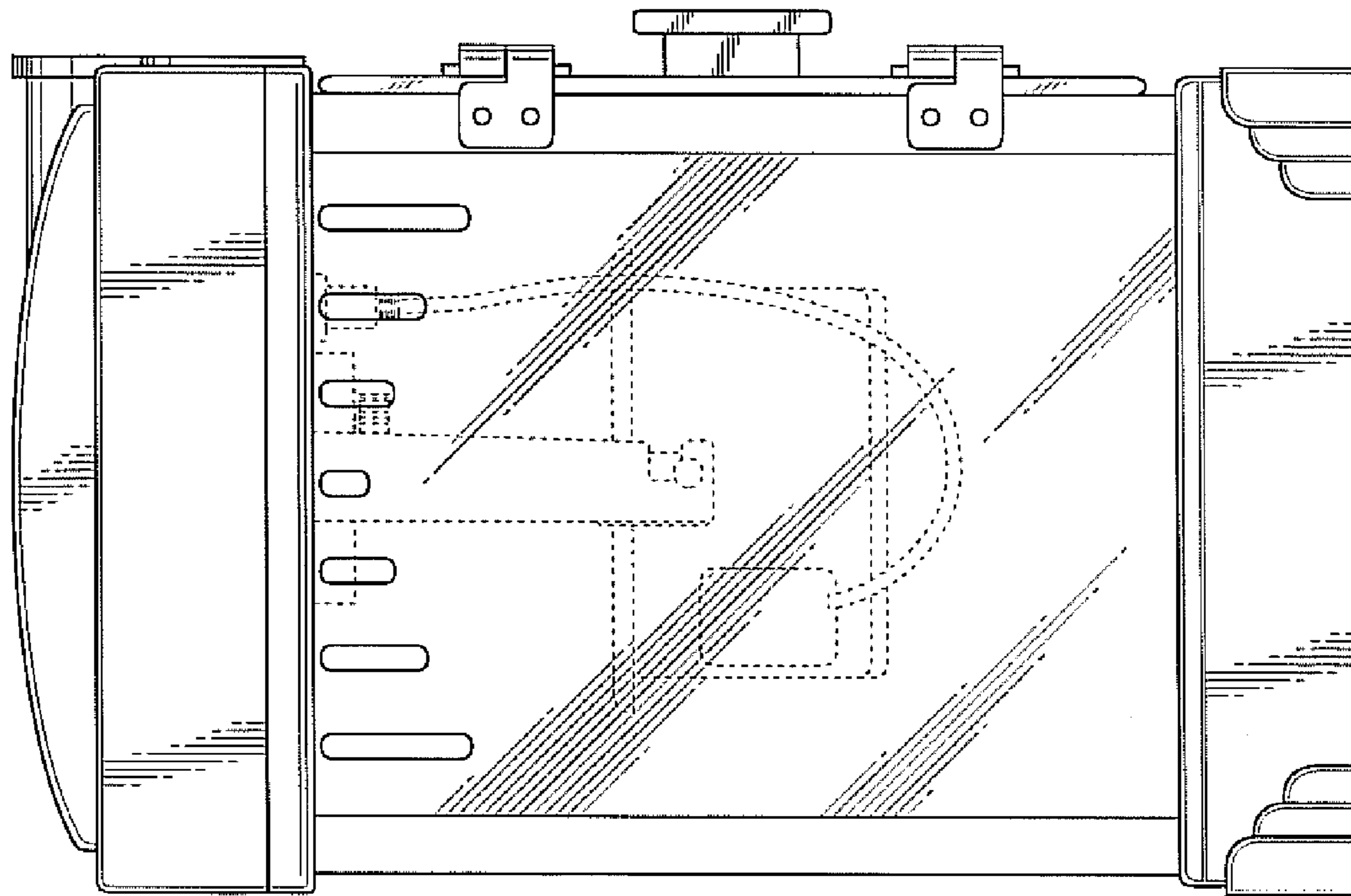


FIG. 3

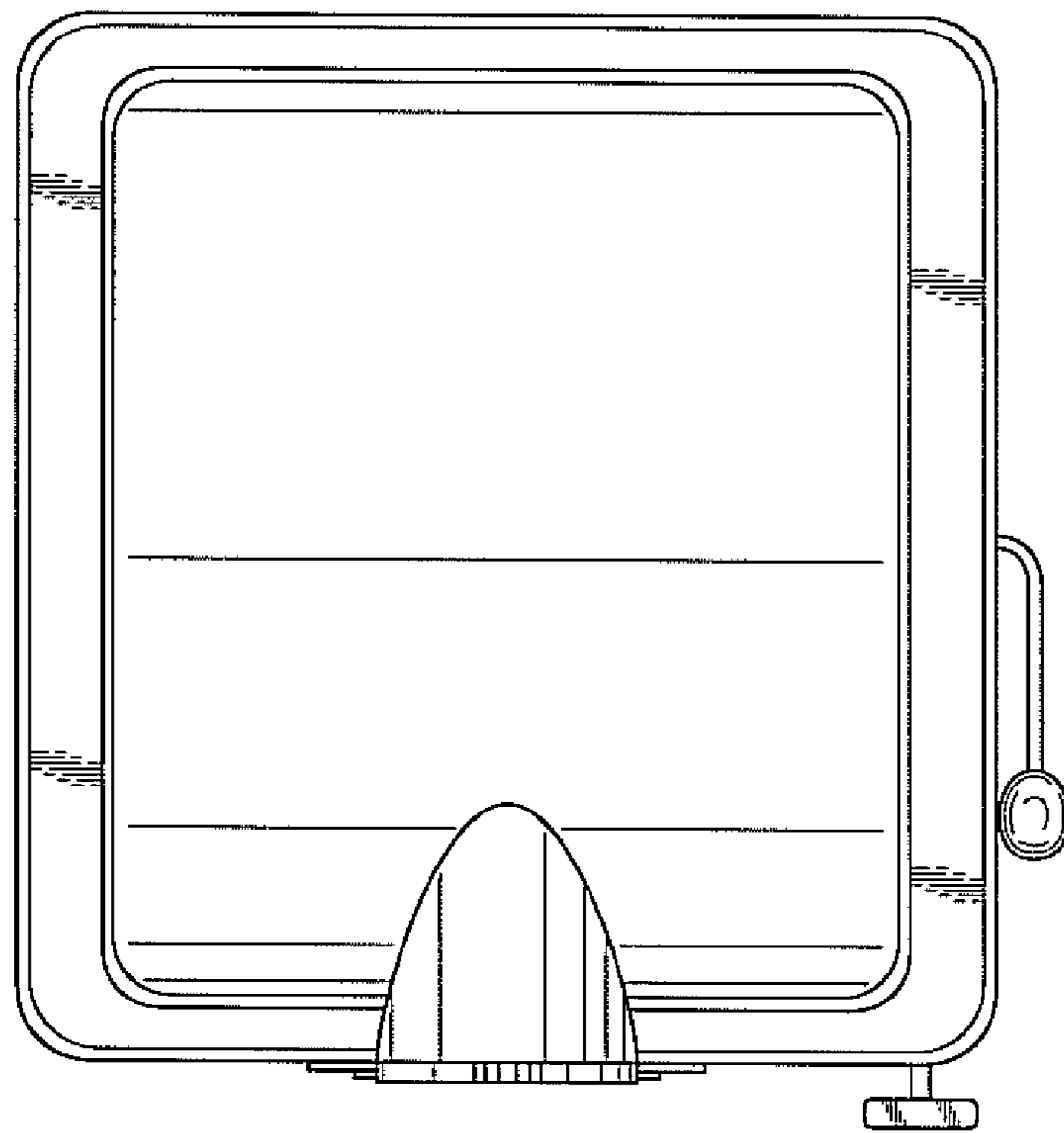


FIG. 5