



US00D633746S

(12) **United States Design Patent**  
**Lam**

(10) **Patent No.:** **US D633,746 S**

(45) **Date of Patent:** **\*\* \*Mar. 8, 2011**

(54) **COFFEE MAKER**

(75) Inventor: **Hoi Tak Raymond Lam**, Kowloon (CN)

(73) Assignee: **South Asia International (HK) Limited**, Kowloon, Hong Kong (CN)

(\* ) Notice: This patent is subject to a terminal disclaimer.

(\*\* ) Term: **14 Years**

(21) Appl. No.: **29/315,187**

(22) Filed: **Jun. 3, 2009**

(51) **LOC (9) Cl.** ..... **07-01**

(52) **U.S. Cl.** ..... **D7/309; D7/310; D7/311**

(58) **Field of Classification Search** ..... **D7/305-311; 99/279, 300; 222/129.1**

See application file for complete search history.

(56) **References Cited**

**U.S. PATENT DOCUMENTS**

D285,276 S *	8/1986	Daher	.....	D7/309
D290,215 S *	6/1987	Sonnentag et al.	.....	D7/309
4,728,281 A *	3/1988	McGuffin et al.	.....	426/433
D299,900 S *	2/1989	Marotta	.....	D7/309
D304,541 S *	11/1989	Seiffert	.....	D7/309

D340,832 S *	11/1993	Macchi	.....	D7/306
D361,689 S *	8/1995	McCloskey	.....	D7/309
D499,599 S *	12/2004	Morrison	.....	D7/309
D546,111 S *	7/2007	Kim	.....	D7/305
7,278,349 B2 *	10/2007	Grant et al.	.....	99/300
D597,368 S *	8/2009	Steiner	.....	D7/309
D598,695 S *	8/2009	Currie	.....	D7/311

\* cited by examiner

*Primary Examiner*—Marianne Pandozzi

(74) *Attorney, Agent, or Firm*—Alix, Yale & Ristas, LLP

(57) **CLAIM**

The ornamental design for a coffee maker, as shown and described.

**DESCRIPTION**

FIG. 1 is a perspective view of a coffee maker showing my new design;

FIG. 2 is a front view thereof;

FIG. 3 is a rear view thereof;

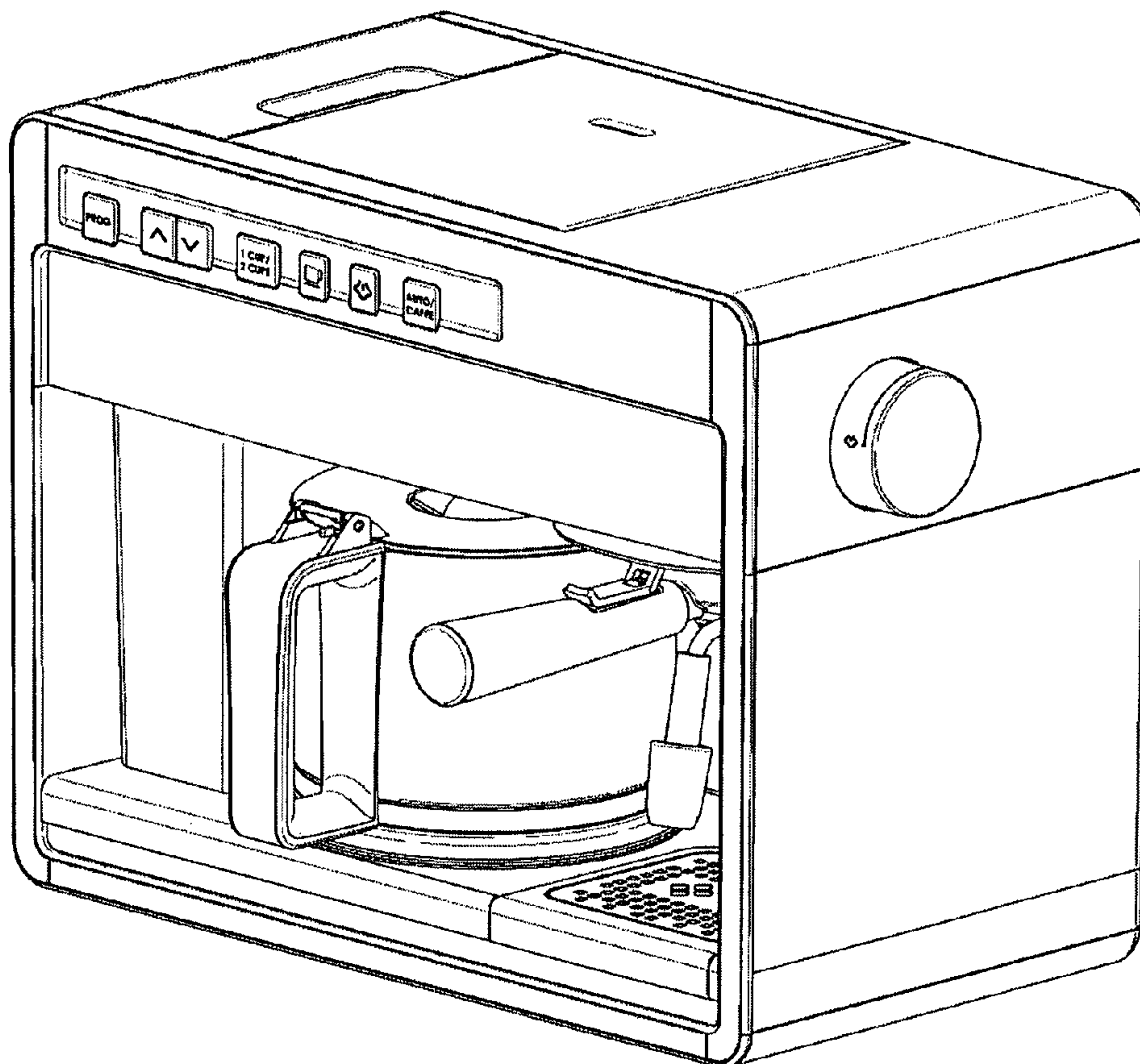
FIG. 4 is a right side view thereof;

FIG. 5 is a left side view thereof;

FIG. 6 is a top plan view thereof; and,

FIG. 7 is a bottom plan view thereof.

**1 Claim, 7 Drawing Sheets**



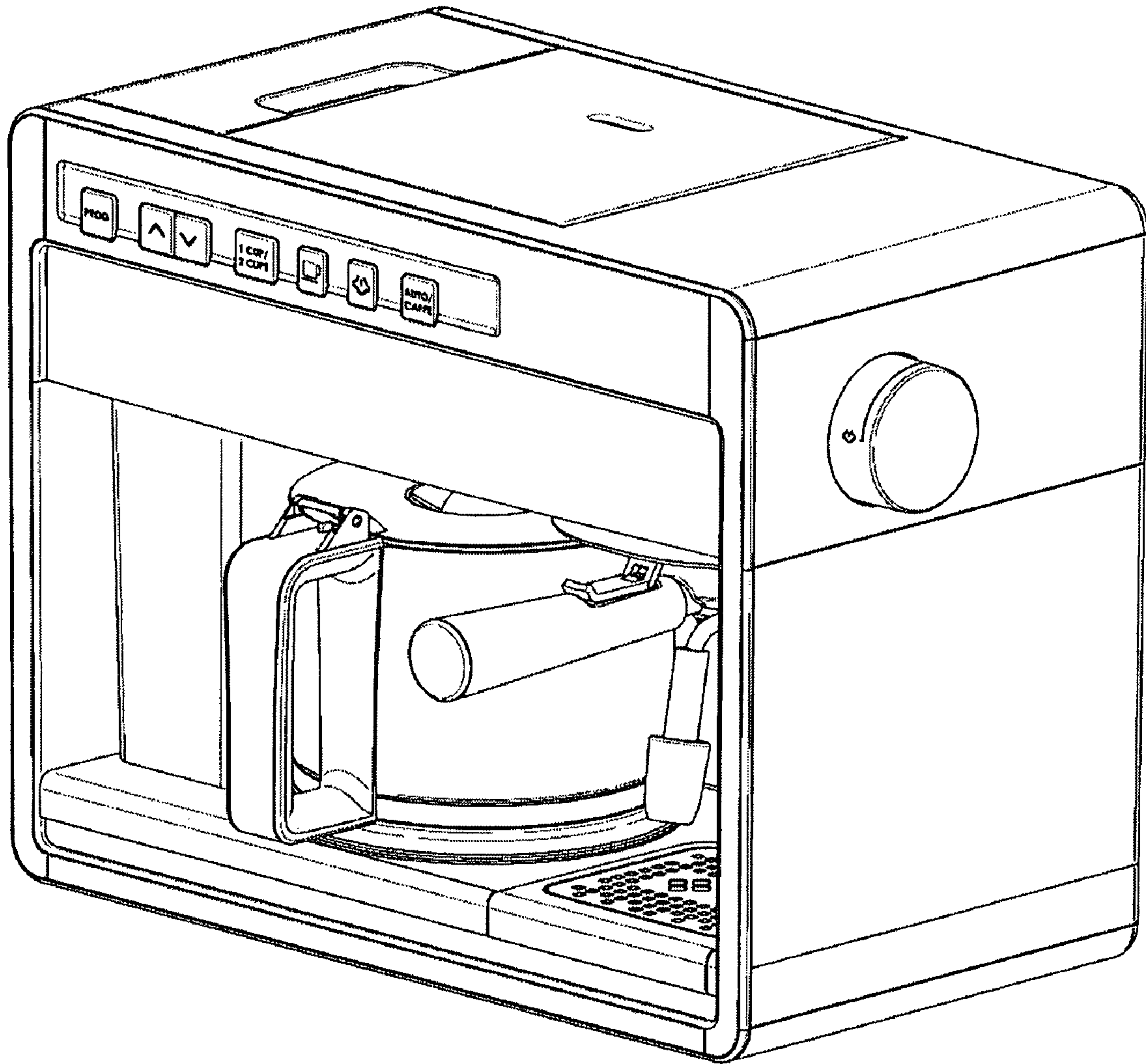


Fig. 1

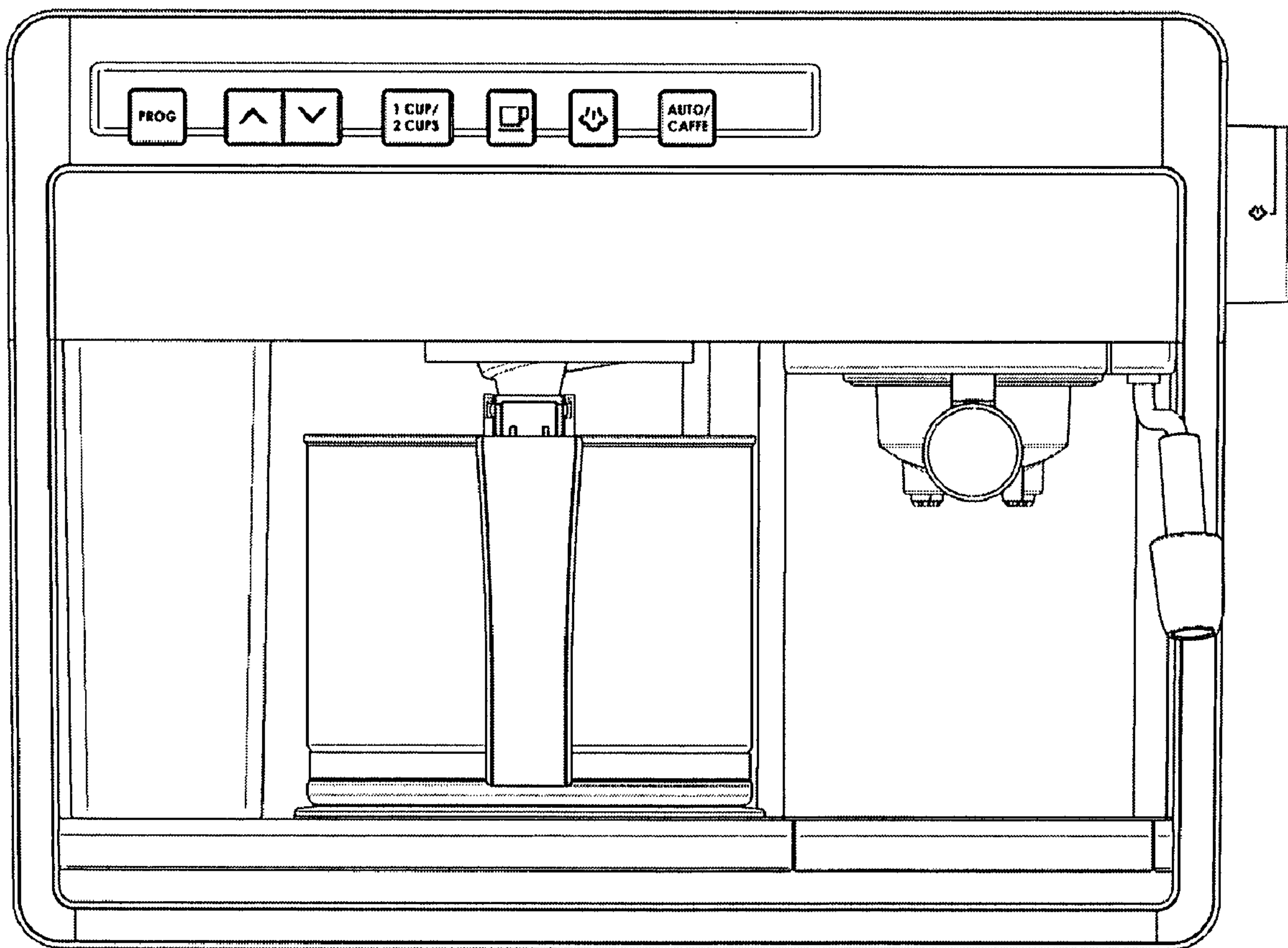
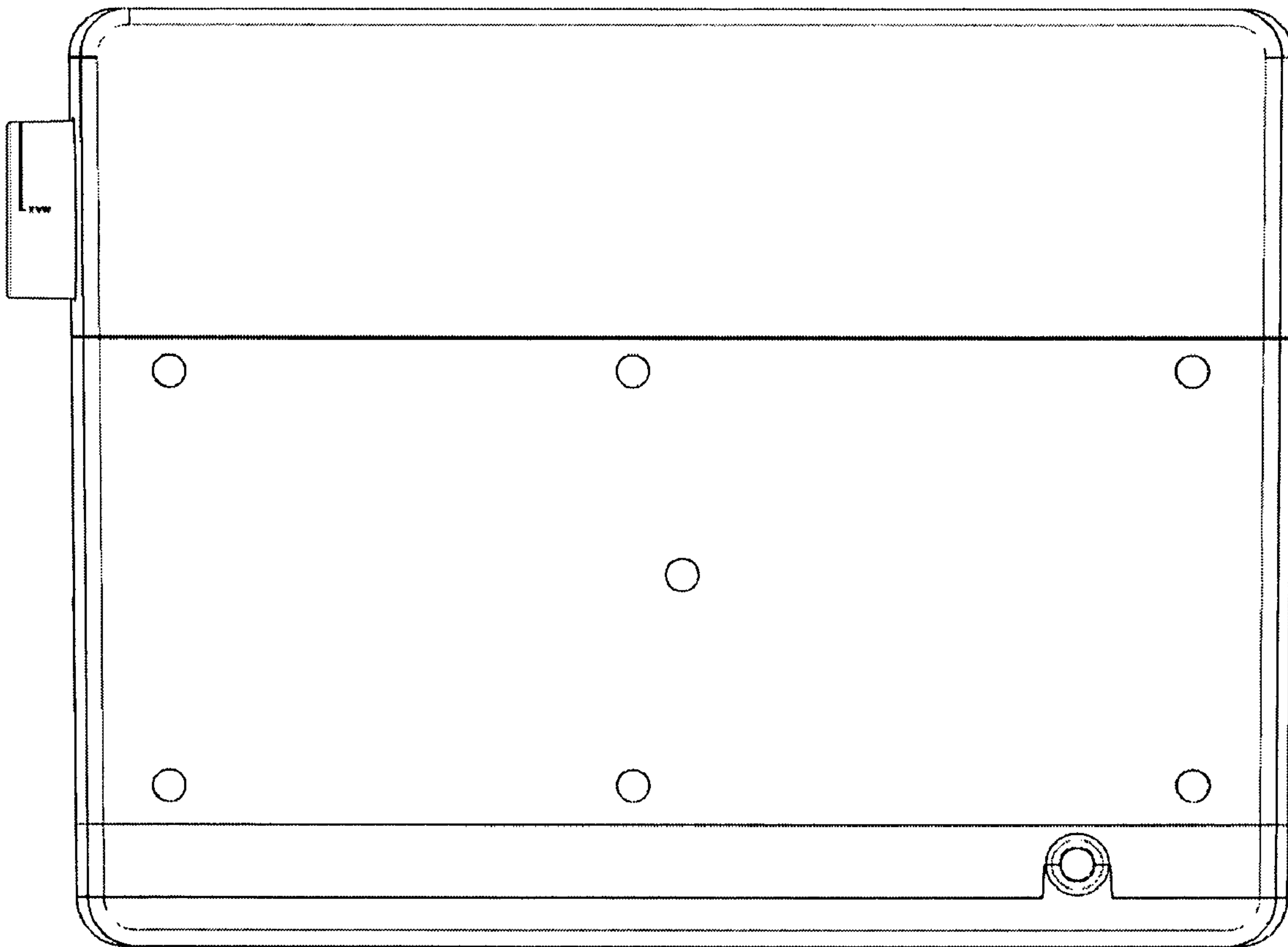


Fig. 2



**Fig. 3**



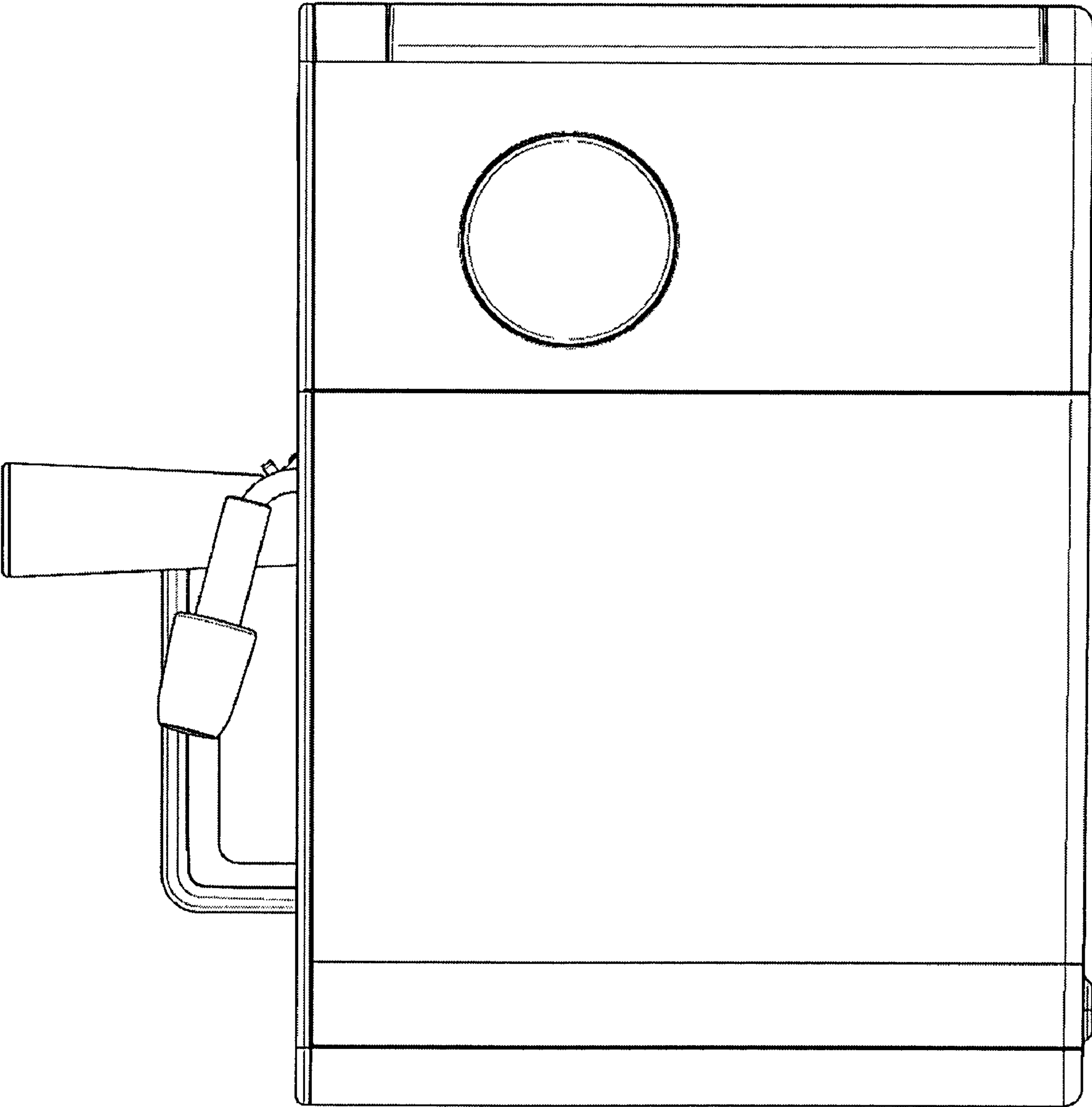


Fig. 4

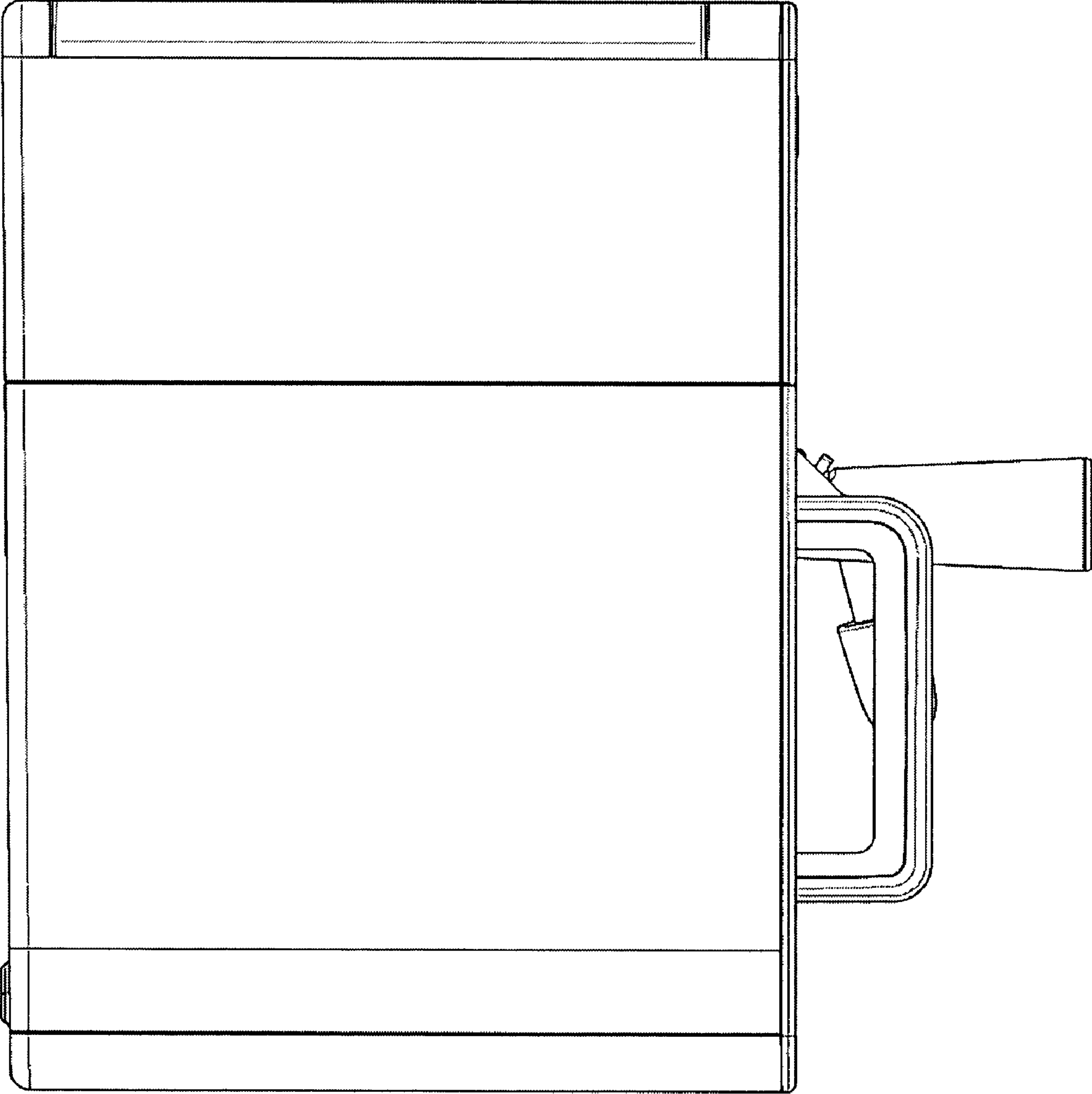


Fig. 5

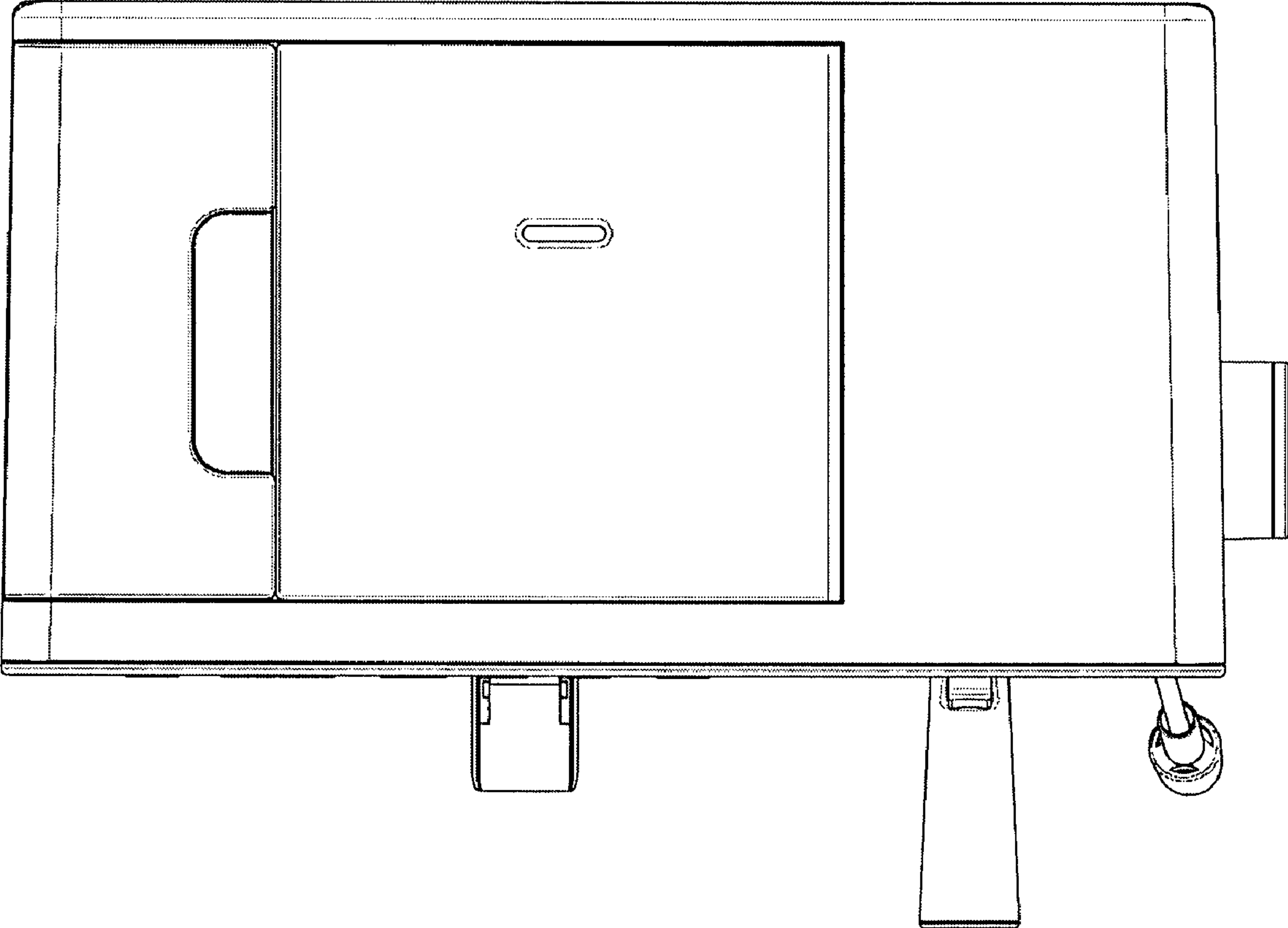
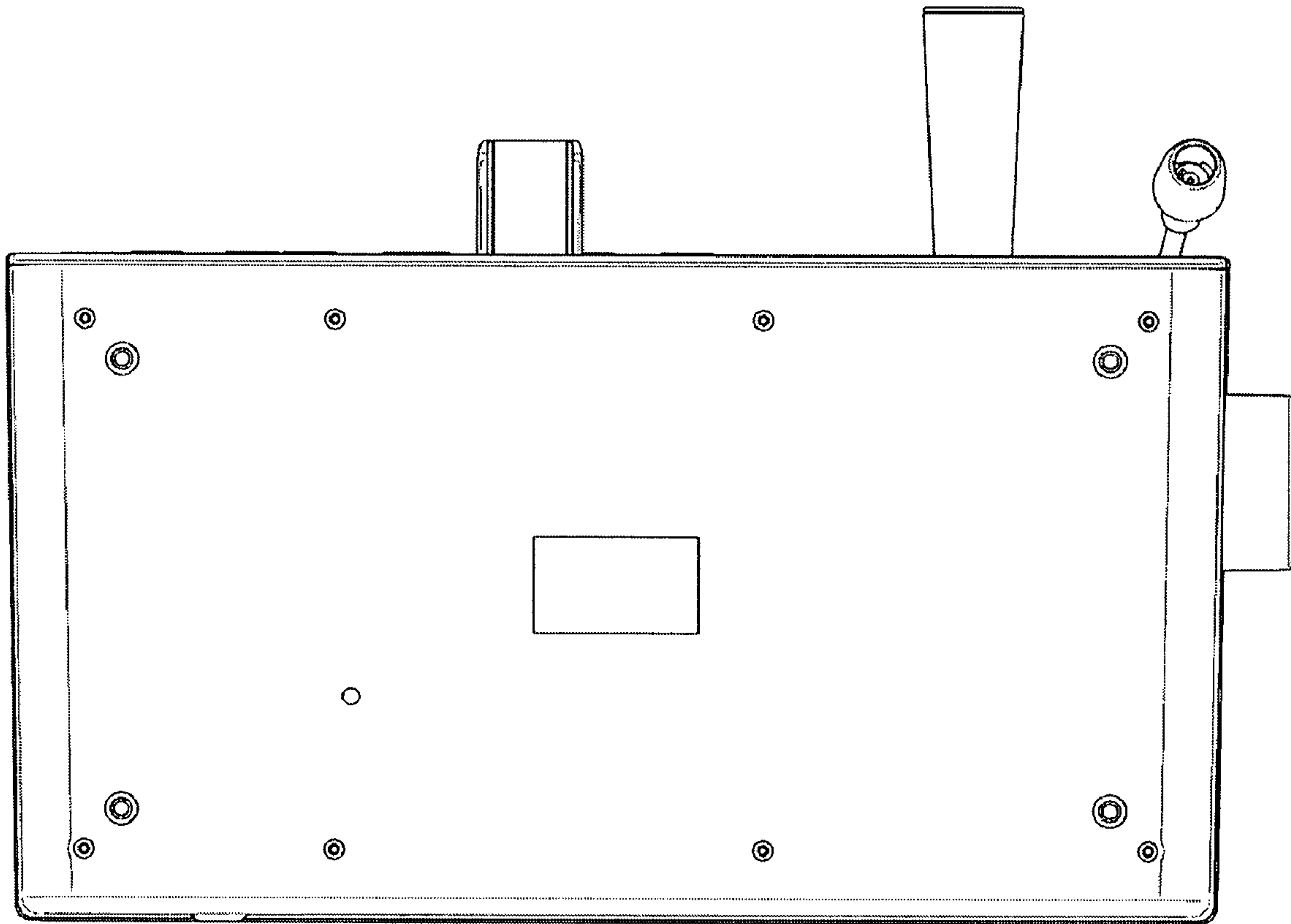


Fig. 6



**Fig. 7**