



US00D633745S

(12) **United States Design Patent**  
**Ross**

(10) **Patent No.:** **US D633,745 S**  
(45) **Date of Patent:** **\*\* Mar. 8, 2011**

(54) **WINE AERATION DEVICE WITH SEALING CAP REMOVED**

(76) Inventor: **Gary Ross**, Oxnard, CA (US)

(\*\*) Term: **14 Years**

(21) Appl. No.: **29/349,106**

(22) Filed: **Mar. 9, 2010**

(51) **LOC (9) Cl.** ..... **07-01**

(52) **U.S. Cl.** ..... **D7/300.1; D7/523; D7/510**

(58) **Field of Classification Search** ..... **D7/700,**  
**D7/400, 396.2, 397, 398, 213, 392, 387, 300.1,**  
**D7/523, 510, 511, 608; D9/440, 504; D23/213;**  
**99/323.1; 215/228, 11.6; 220/714, 715**  
See application file for complete search history.

(56) **References Cited**

**U.S. PATENT DOCUMENTS**

3,469,739	A *	9/1969	Phillips	.....	221/96
D265,974	S *	8/1982	Gombert	.....	D9/504
4,494,452	A *	1/1985	Barzso	.....	99/323.1
D294,100	S *	2/1988	Ross	.....	D7/511
D318,394	S *	7/1991	Larimer	.....	D7/300.1
5,713,263	A *	2/1998	Burks, III	.....	99/323.1
6,332,706	B1 *	12/2001	Hall	.....	366/274
6,508,163	B1 *	1/2003	Weatherill	.....	99/323.1
D489,627	S *	5/2004	Klitsner et al.	.....	D9/502
D495,208	S *	8/2004	Putnam	.....	D7/509
D499,342	S *	12/2004	Klitsner et al.	.....	D9/502
D539,607	S *	4/2007	Lapsker	.....	D7/510

D569,195	S *	5/2008	Kim	.....	D7/608
D570,652	S *	6/2008	Nudi et al.	.....	D7/700
D572,070	S *	7/2008	Teh-hsiung	.....	D7/319
D590,660	S *	4/2009	Miller et al.	.....	D7/510
D604,560	S *	11/2009	Priest	.....	D7/507
D605,465	S *	12/2009	Benton et al.	.....	D7/396.2
D612,659	S *	3/2010	Kehoe	.....	D7/316
D622,545	S *	8/2010	Wahl	.....	D7/510
D622,547	S *	8/2010	Carreno	.....	D7/510

\* cited by examiner

*Primary Examiner*—Marianne Pandozzi

(74) *Attorney, Agent, or Firm*—Thomas I. Rozsa

(57) **CLAIM**

The ornamental design for a wine aeration device with sealing cap removed, as shown and described.

**DESCRIPTION**

FIG. 1 is a top perspective view of a wine aeration device with sealing cap removed looking down inside at the funnel having openings therein, showing my new design;

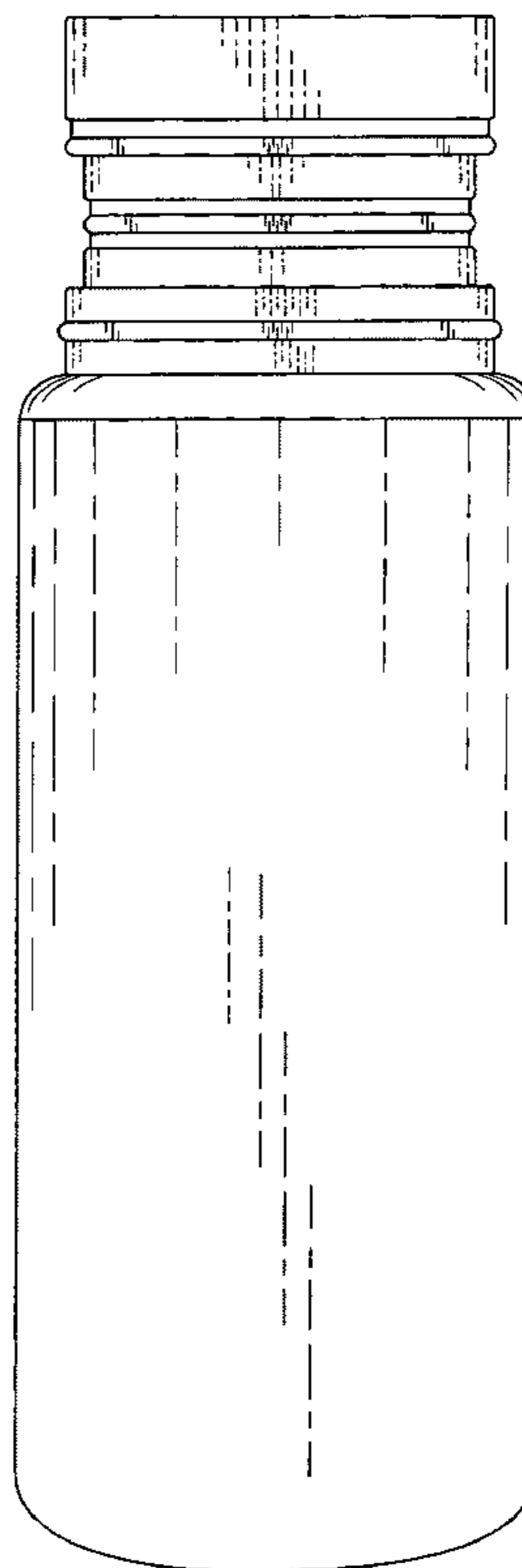
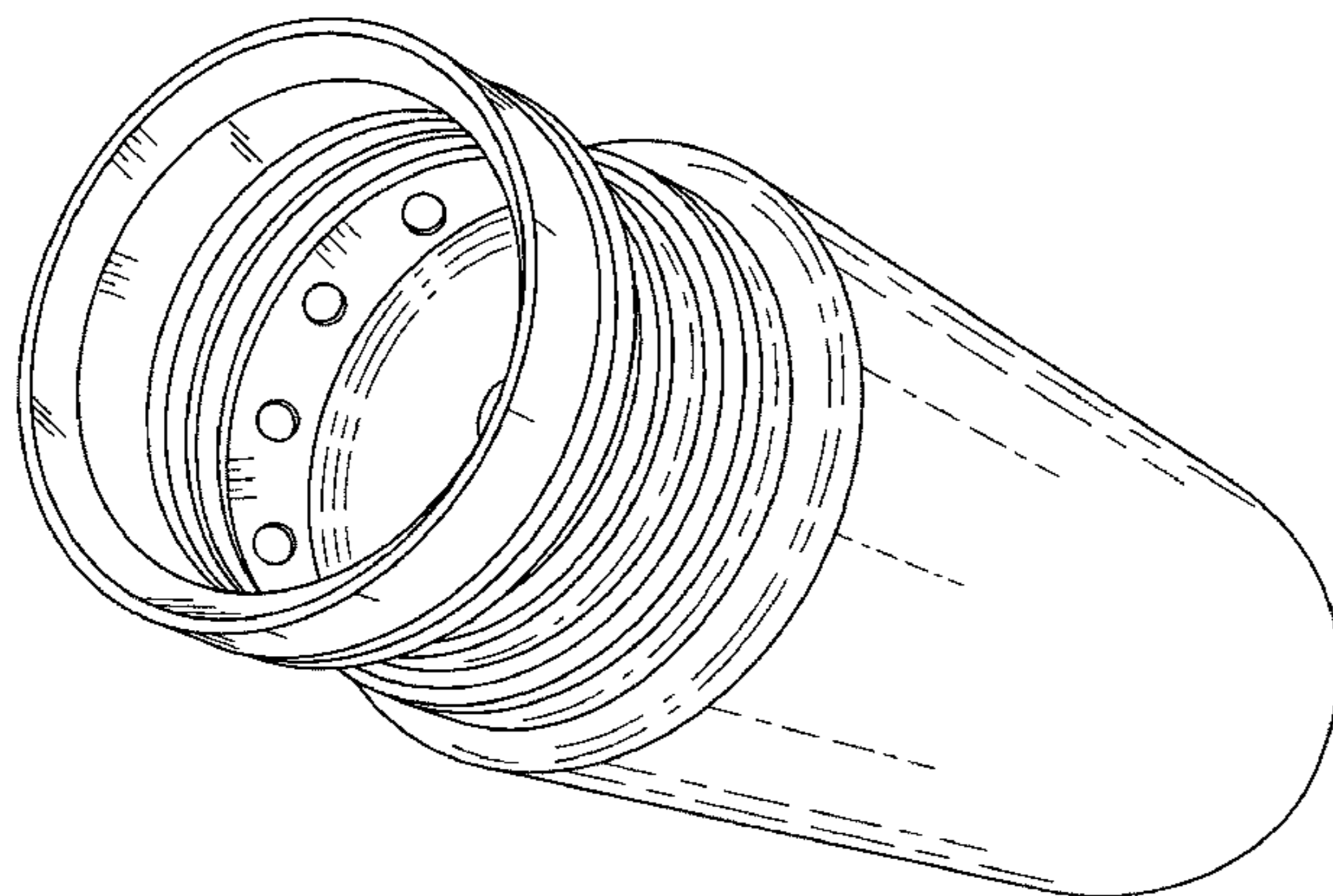
FIG. 2 is a left side elevational view with the right side being identical;

FIG. 3 is a top plan view thereof;

FIG. 4 is a bottom plan view thereof; and,

FIG. 5 is a front elevational view with the rear elevation being identical.

**1 Claim, 5 Drawing Sheets**



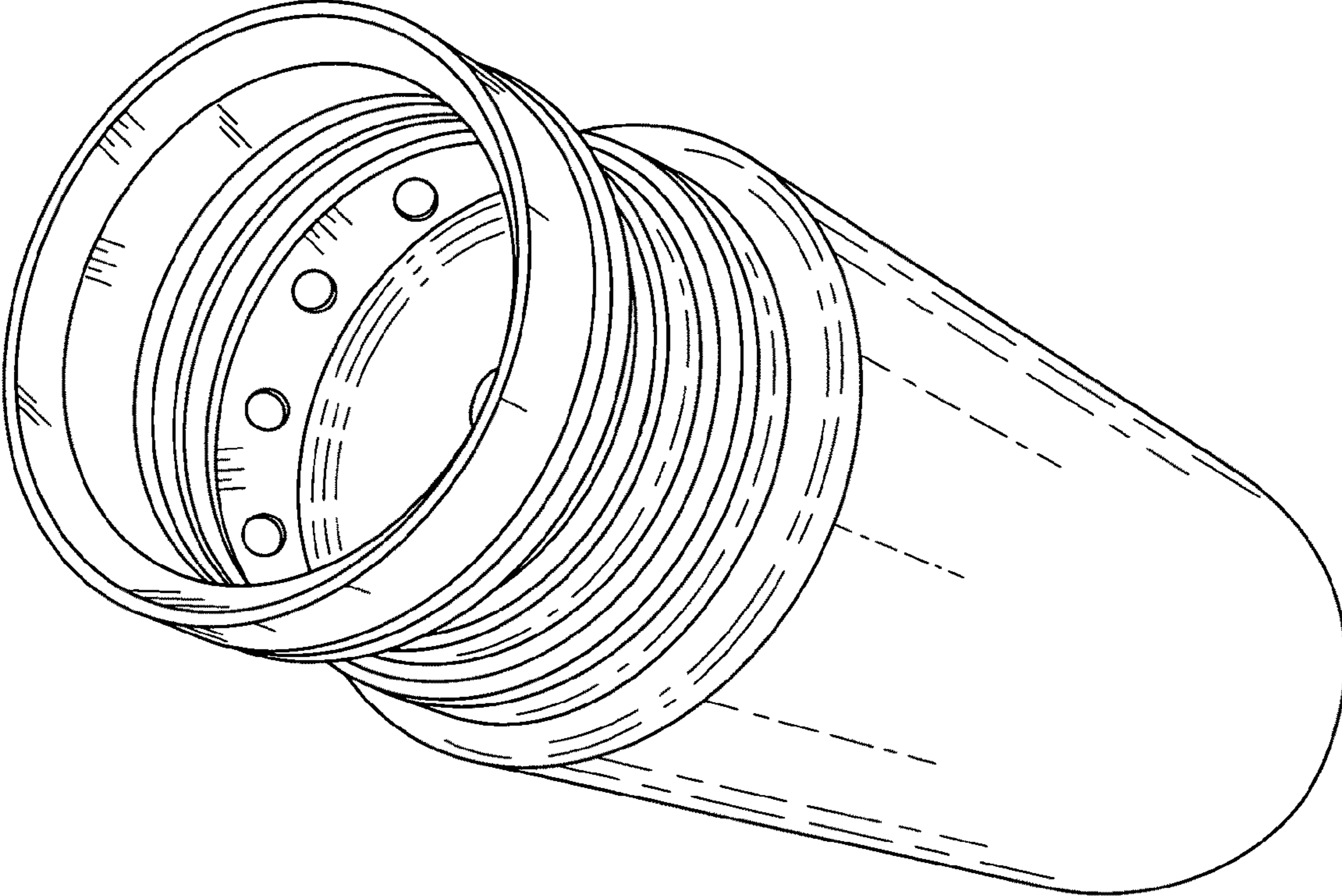


FIG. 1

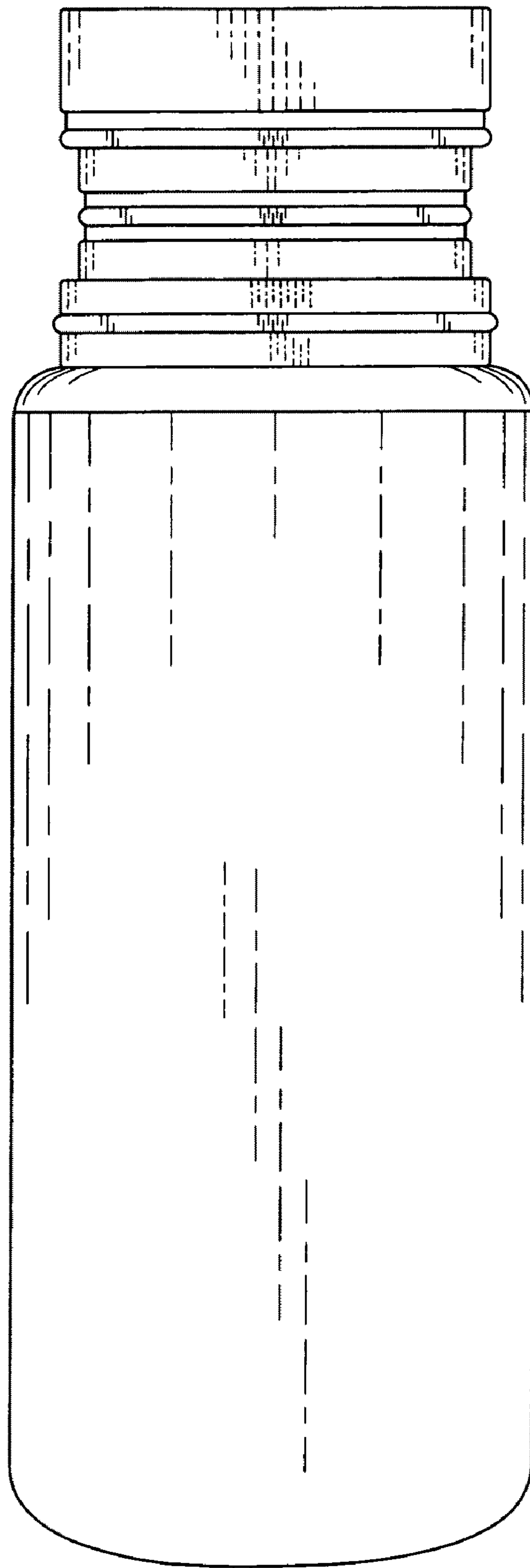


FIG. 2

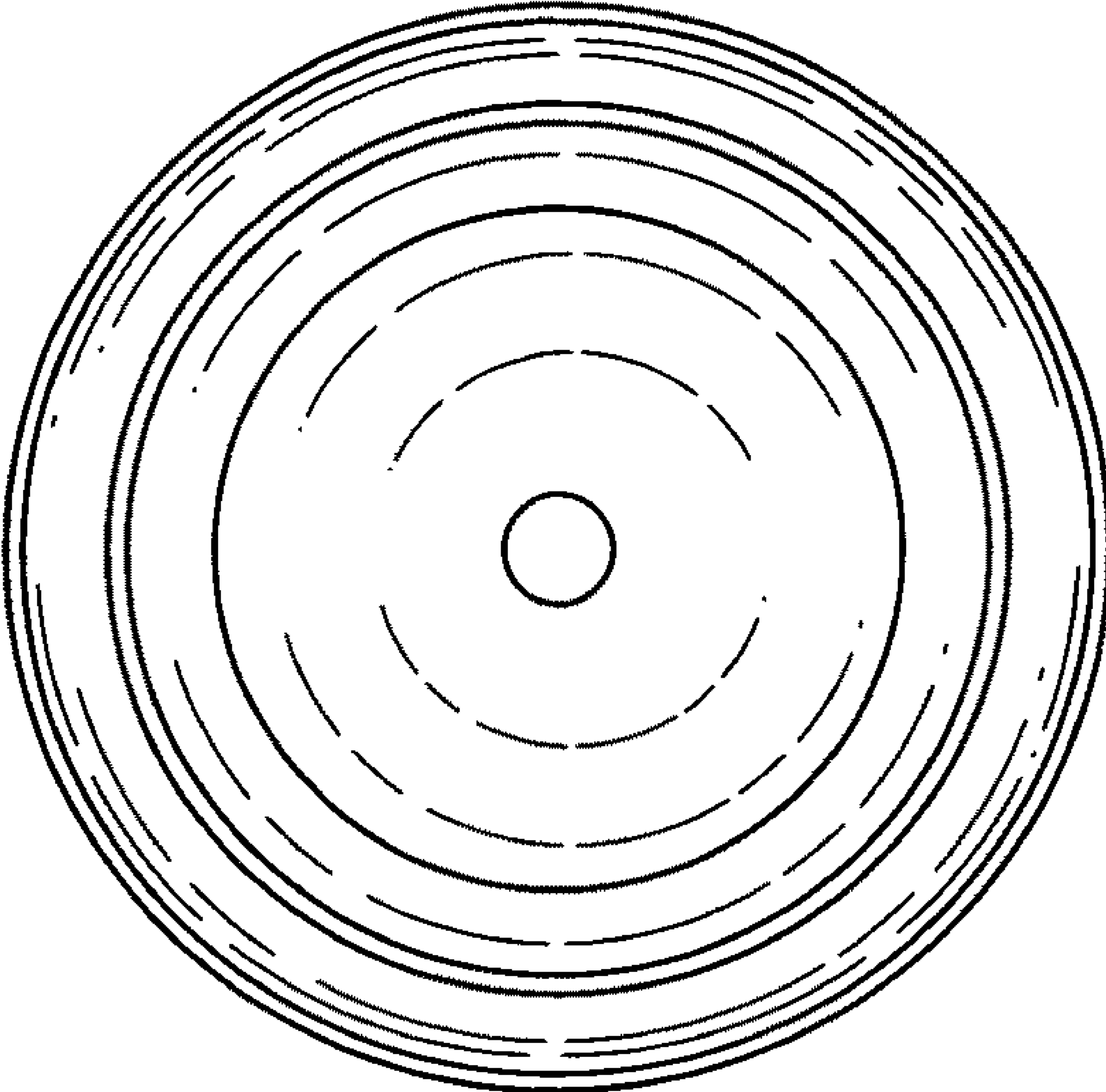


FIG. 3

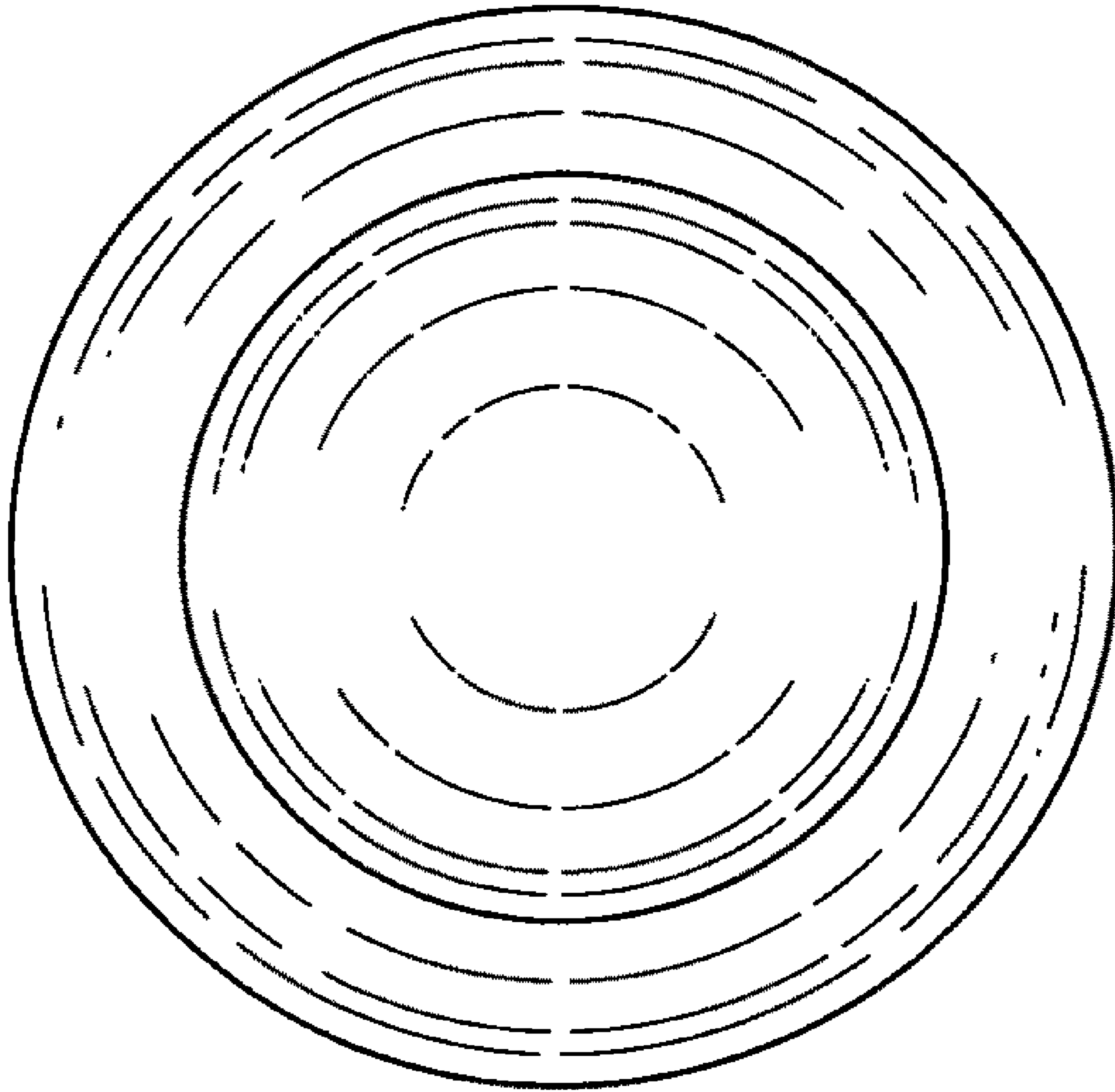


FIG. 4

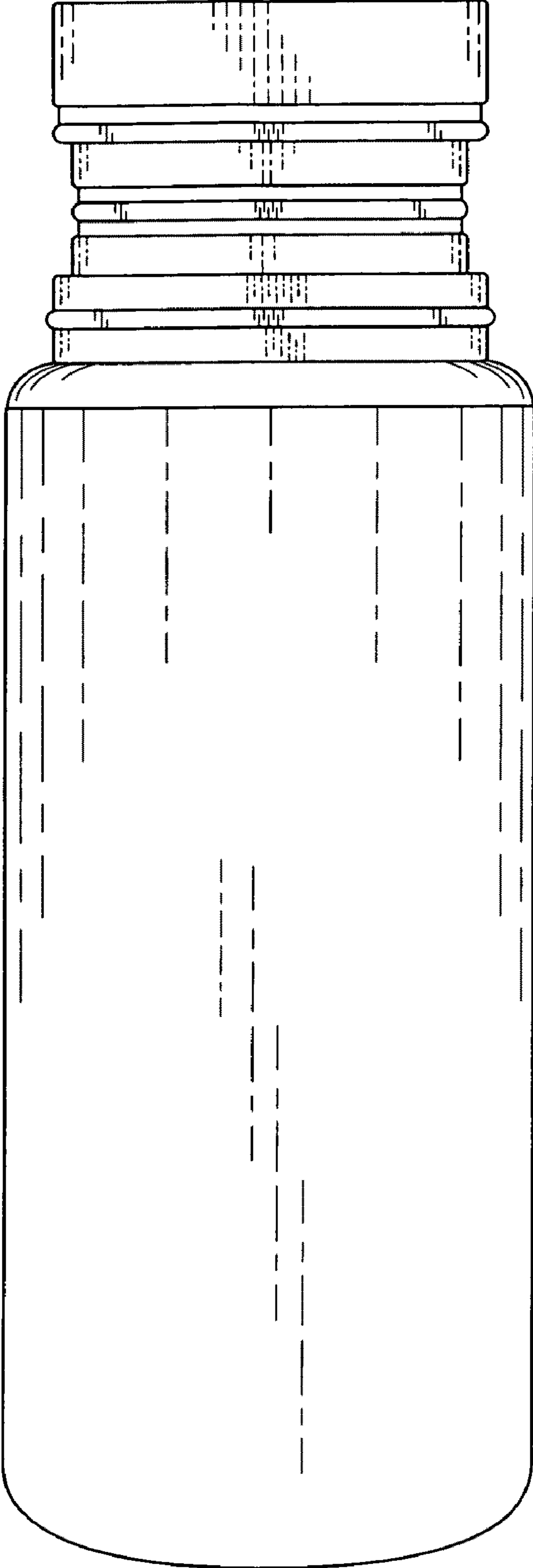


FIG. 5