



US00D633740S

(12) **United States Design Patent**
Andrew

(10) **Patent No.:** **US D633,740 S**
(45) **Date of Patent:** **** Mar. 8, 2011**

(54) **TOWEL BAR POST**
(75) Inventor: **Mercedita Andrew**, Chicago, IL (US)
(73) Assignee: **Masco Corporation of Indiana**,
Indianapolis, IN (US)
(**) Term: **14 Years**
(21) Appl. No.: **29/362,189**
(22) Filed: **May 21, 2010**

D520,792 S * 5/2006 Wu D6/550
D533,384 S * 12/2006 Gilbert D6/550
D533,642 S * 12/2006 Gilbert et al. D6/524
D544,266 S * 6/2007 Wu D6/524
D551,325 S * 9/2007 Kennard D6/524
D551,479 S * 9/2007 Gilbert D6/524
D554,406 S * 11/2007 Sedwick D6/524
D557,049 S * 12/2007 Sedwick et al. D6/524

* cited by examiner

Primary Examiner—Brian N Vinson
(74) *Attorney, Agent, or Firm*—Edgar A. Zarins; Nirav D. Parikh

(51) **LOC (9) Cl.** **06-04**
(52) **U.S. Cl.** **D6/550**
(58) **Field of Classification Search** D6/518–524,
D6/546–550; D8/300, 370, 315; 108/28–29;
211/13.1, 16, 85.5, 86.01, 87.01, 88.04, 100,
211/105.1, 105.2, 106, 113, 123, 181.1, 182–183;
248/49, 175, 176.1, 200, 201, 205.1, 251,
248/302, 309.1, 315; 242/570, 590, 595–598
See application file for complete search history.

(57) **CLAIM**

The ornamental design for a towel bar post, as shown and described.

DESCRIPTION

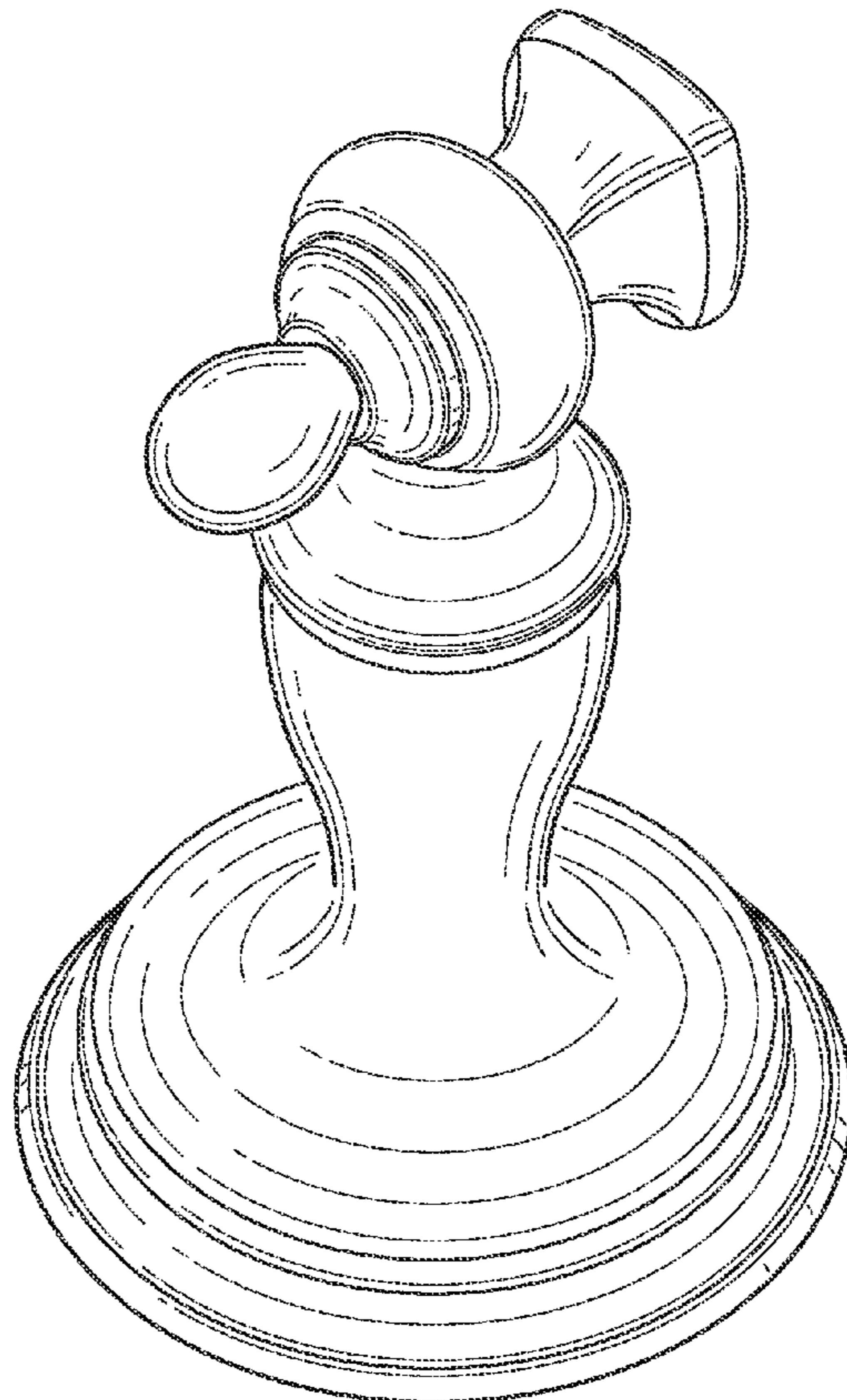
FIG. 1 is a perspective view of a towel bar post showing my new design;
FIG. 2 is a side elevational view thereof;
FIG. 3 is a side elevational view thereof;
FIG. 4 is a top plan view thereof; the opposite side being a mirror image of the side shown; and,
FIG. 5 is a front elevational view thereof.

(56) **References Cited**

U.S. PATENT DOCUMENTS

D516,354 S * 3/2006 Sedwick D6/550
D516,357 S * 3/2006 Gilbert et al. D6/550
D520,282 S * 5/2006 Hoernig D6/550
D520,789 S * 5/2006 Zhu et al. D6/550

1 Claim, 5 Drawing Sheets



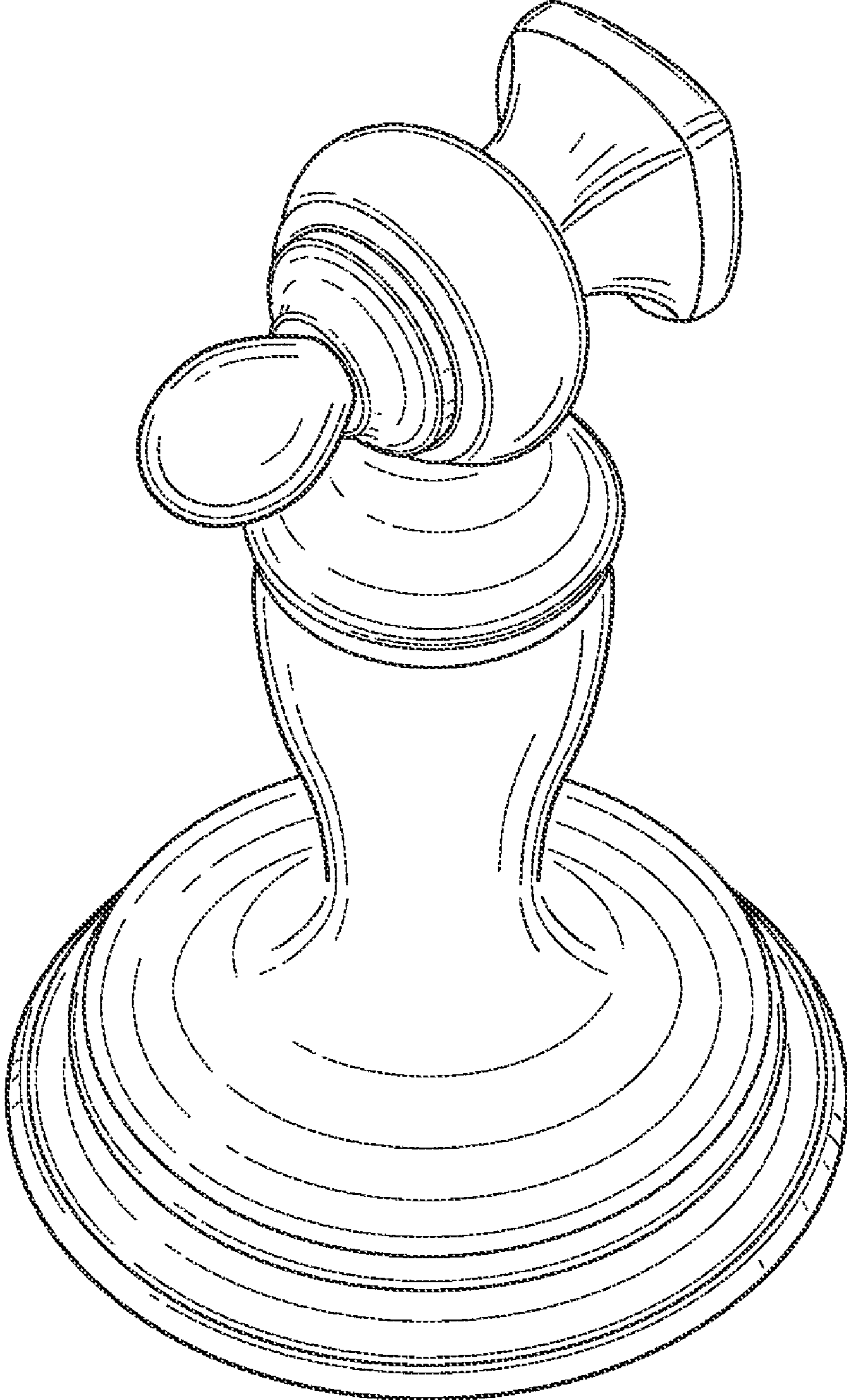


FIG. 1

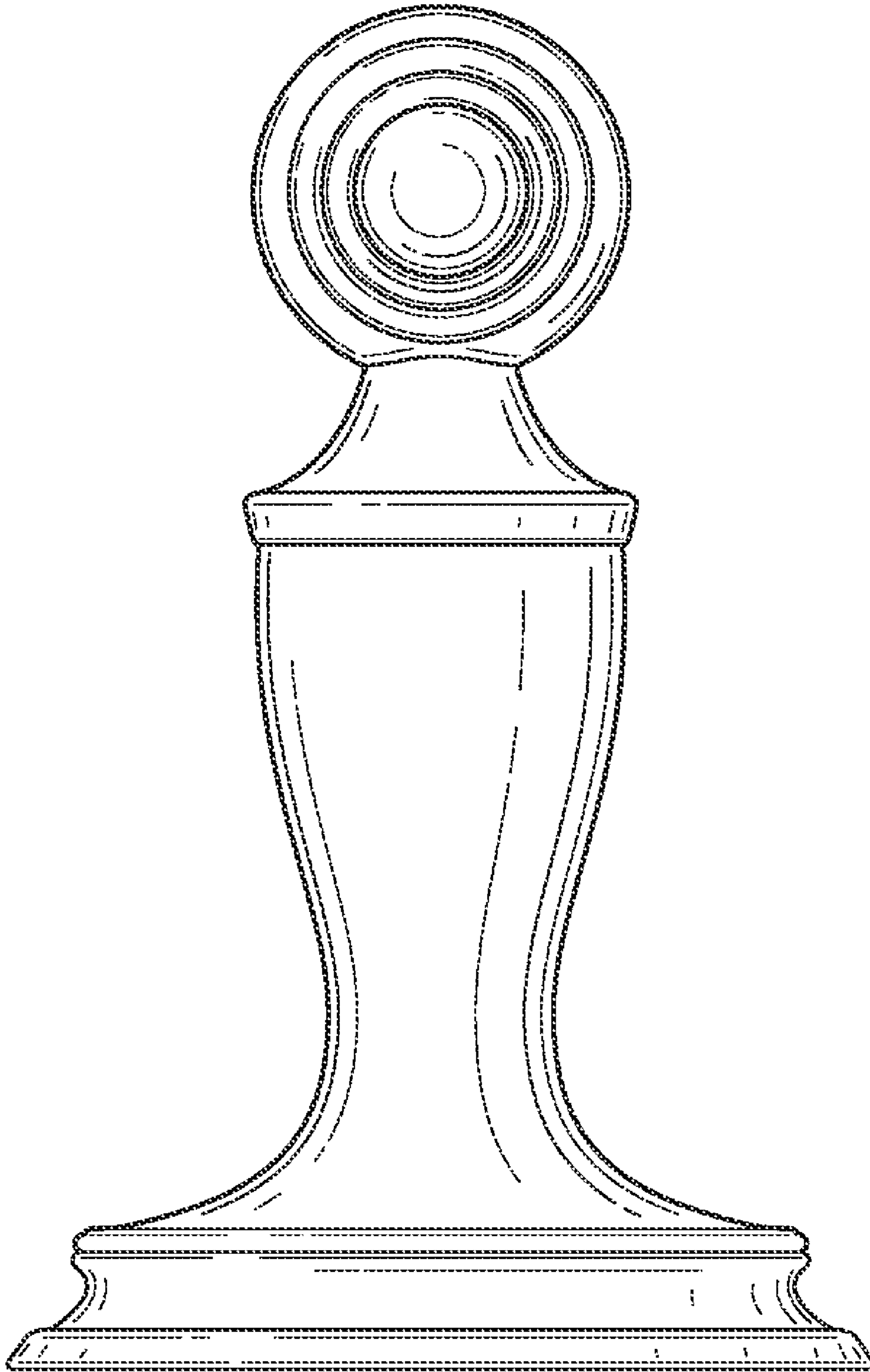


FIG. 2

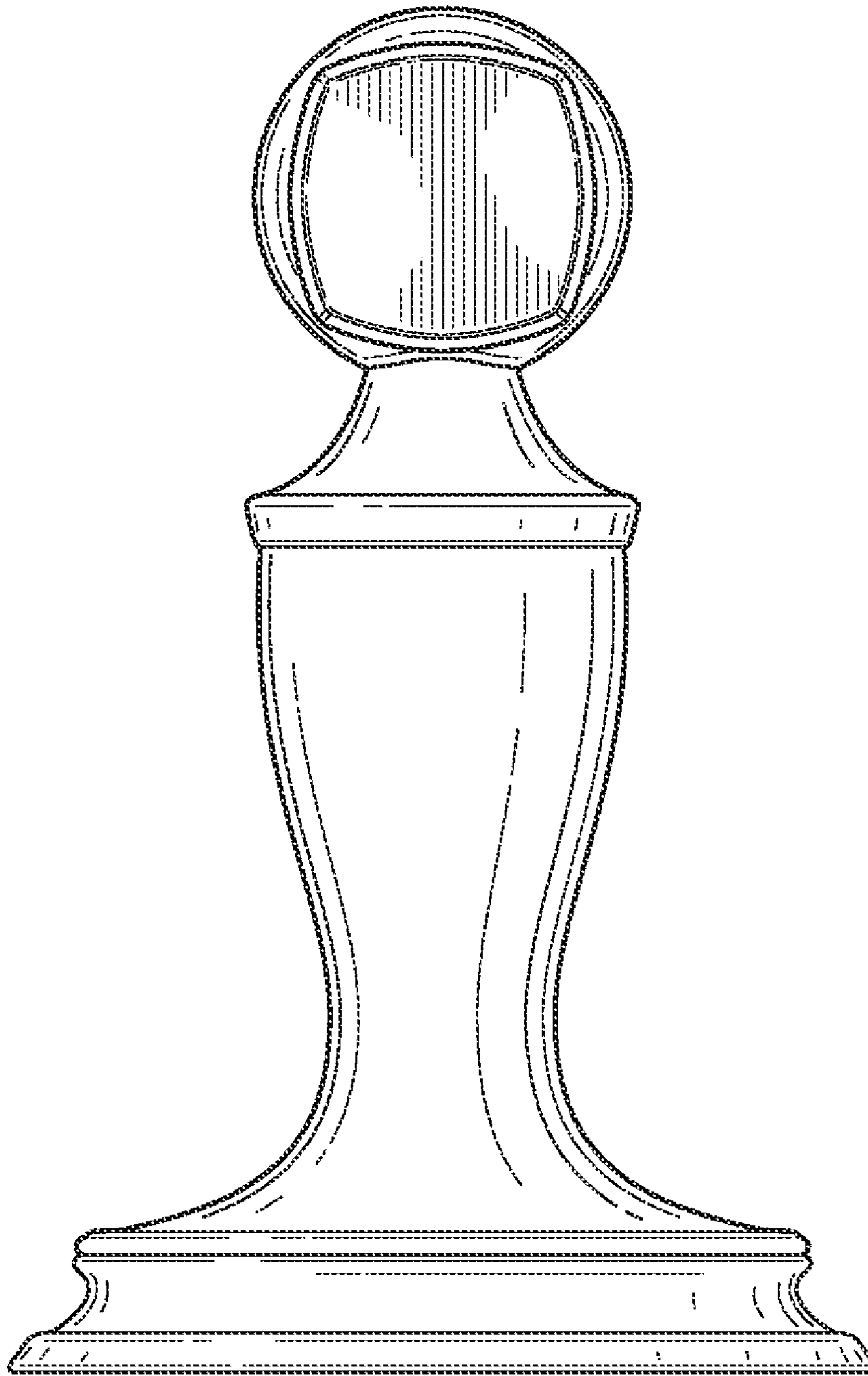


FIG. 3

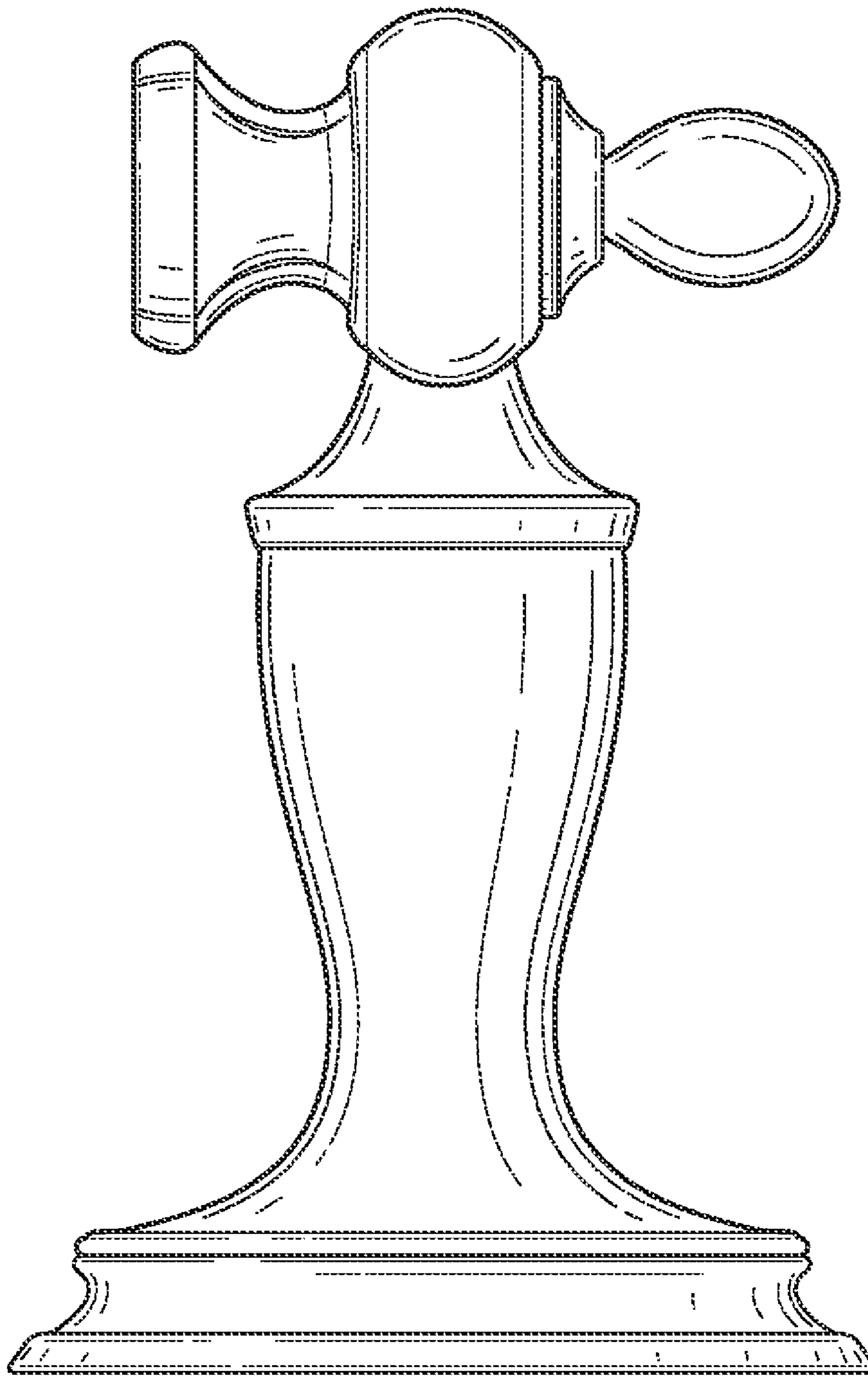


FIG. 4

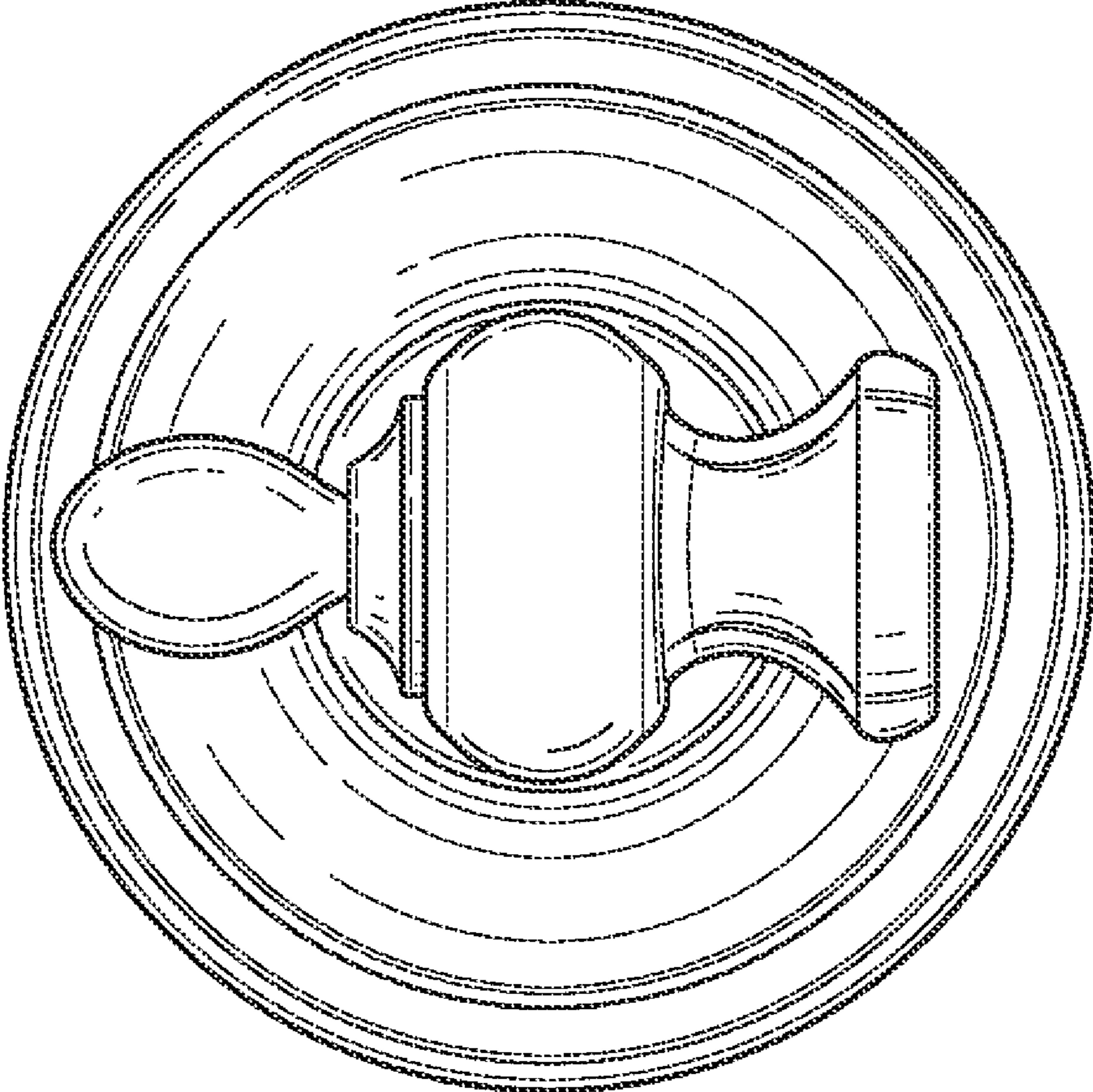


FIG. 5