



US00D633738S

(12) **United States Design Patent**
Bauer et al.

(10) **Patent No.:** **US D633,738 S**
(45) **Date of Patent:** **** Mar. 8, 2011**

(54) **ACCESSORY POST**

(75) Inventors: **Alan M. Bauer**, Medina, OH (US);
Christopher Jon Gilbert, Moreland Hills, OH (US)

(73) Assignee: **Moen Incorporated**, North Olmsted, OH (US)

(**) Term: **14 Years**

(21) Appl. No.: **29/356,204**

(22) Filed: **Feb. 22, 2010**

(51) **LOC (9) Cl.** **23-02**

(52) **U.S. Cl.** **D6/524; D6/550**

(58) **Field of Classification Search** D6/518–524,
D6/546–550; D8/300, 370, 315; 108/28–29;
211/13.1, 16, 85.5, 86.01, 87.01, 88.04, 100,
211/105.1, 105.2, 106, 113, 123, 181.1, 182–183;
248/49, 175, 176.1, 200, 201, 205.1, 251,
248/302, 309.1, 315; 242/570, 590, 595–598
See application file for complete search history.

(56) **References Cited**

U.S. PATENT DOCUMENTS

D360,792 S	8/1995	Sharpe	
D391,831 S	3/1998	Doughty et al.	
D417,995 S	12/1999	Chen	
D424,354 S	5/2000	Duggan	
D434,118 S	11/2000	Lord	
D436,775 S	1/2001	Ming-Hsiao	
D439,955 S	4/2001	Spangler	
D449,948 S	11/2001	Lai	
D449,950 S	11/2001	Lai	
D451,324 S	12/2001	Lai	
D452,402 S *	12/2001	Chen	D6/550
D452,791 S	1/2002	Chen	
D460,892 S	7/2002	Hoernig	
D463,012 S	9/2002	Otero et al.	
D463,936 S	10/2002	Chen	
D464,404 S	10/2002	Lord	
D464,712 S	10/2002	Lord	
D466,747 S	12/2002	Yegyayan	

D467,314 S	12/2002	Otero
D469,291 S	1/2003	Ouyoung
D470,701 S	2/2003	Kuo
D477,168 S	7/2003	Greenspon
D477,482 S	7/2003	Green
D477,486 S	7/2003	Green
D477,740 S	7/2003	Gilbert

(Continued)

Primary Examiner—Brian N Vinson

(74) *Attorney, Agent, or Firm*—Calfee, Halter & Griswold LLP

(57) **CLAIM**

The ornamental design for an accessory post, as shown and described.

DESCRIPTION

FIG. 1 is a perspective view of an accessory post of the new design;

FIG. 2 is a front elevational view of the accessory post of FIG. 1;

FIG. 3 is a rear elevational view of the accessory post of FIG. 1;

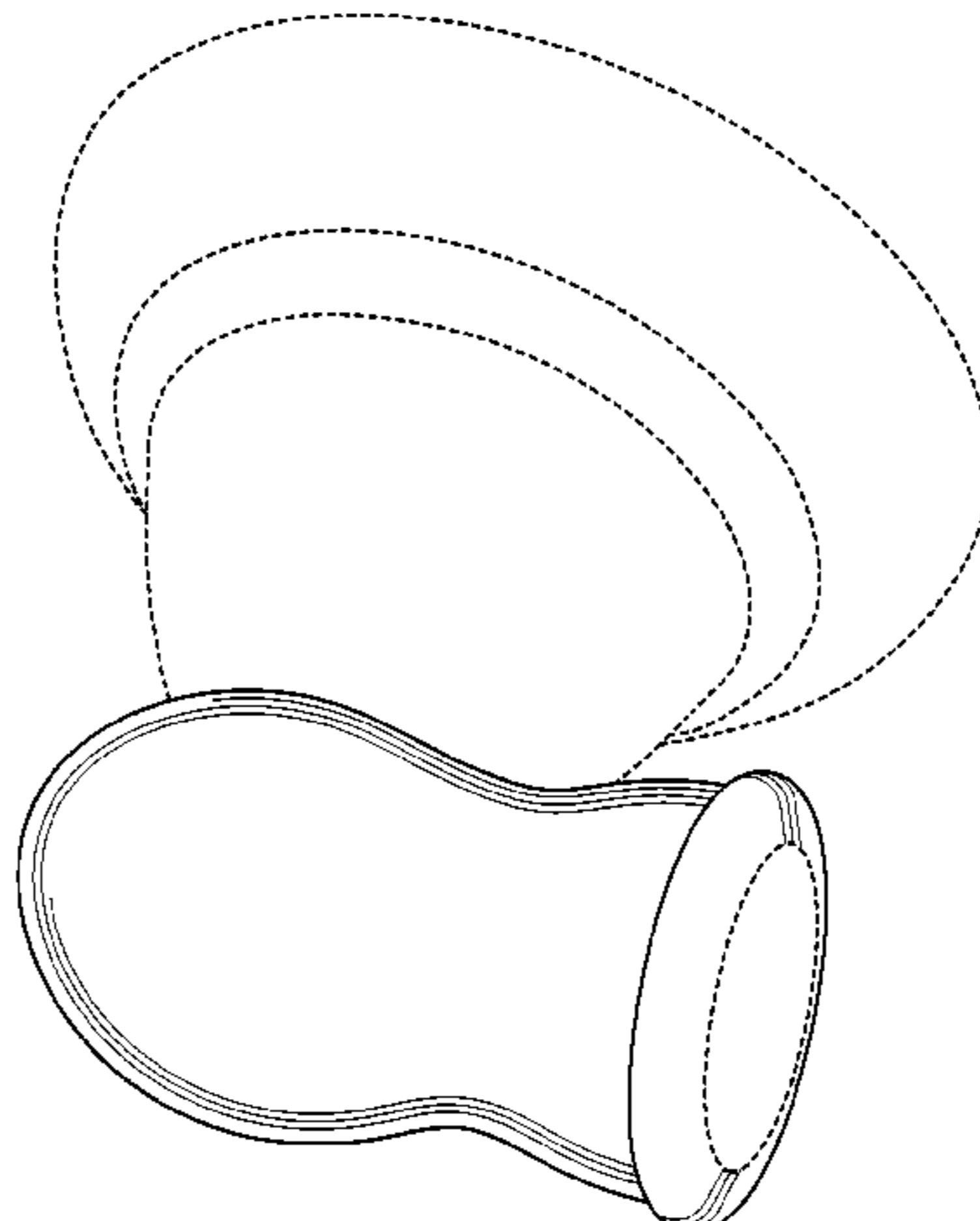
FIG. 4 is a left side elevational view of the accessory post of FIG. 1;

FIG. 5 is a right side elevational view of the accessory post of FIG. 1; and,

FIG. 6 is a top plan view of the accessory post of FIG. 1, the bottom plan view being a mirror image thereof.

The broken-line disclosure in the views is understood to represent portions of the article in which the claimed design is embodied, but which forms no part of the claimed design.

1 Claim, 3 Drawing Sheets



US D633,738 S

Page 2

U.S. PATENT DOCUMENTS

D481,235 S	*	10/2003	Gilbert	D6/524	D520,793 S		5/2006	Gilbert	
D483,585 S	*	12/2003	Chen	D6/524	D530,398 S		10/2006	Graves et al.	
D489,120 S		4/2004	Shieh			D534,023 S	*	12/2006	Berberet et al. D6/523
D493,054 S		7/2004	Roberts, III et al.			D540,586 S		4/2007	Solowiej	
D493,315 S		7/2004	Gilbert			D551,001 S	*	9/2007	Pipe D6/524
D497,751 S		11/2004	Roberts, III et al.			D554,406 S		11/2007	Sedwick	
D498,098 S		11/2004	Chen			D562,606 S	*	2/2008	Chen D6/524
D501,746 S		2/2005	Gilbert			D562,607 S		2/2008	Chen	
D504,042 S		4/2005	Wu			D569,147 S	*	5/2008	Gilbert D6/524
D509,568 S		9/2005	Blattner et al.			D576,827 S		9/2008	Krumpe et al.	
D516,357 S		3/2006	Gilbert et al.			D591,542 S		5/2009	Chen	
D520,791 S		5/2006	Solowiej			D596,888 S	*	7/2009	Domanski D6/550
						2002/0104946	A1	8/2002	Lai	

* cited by examiner

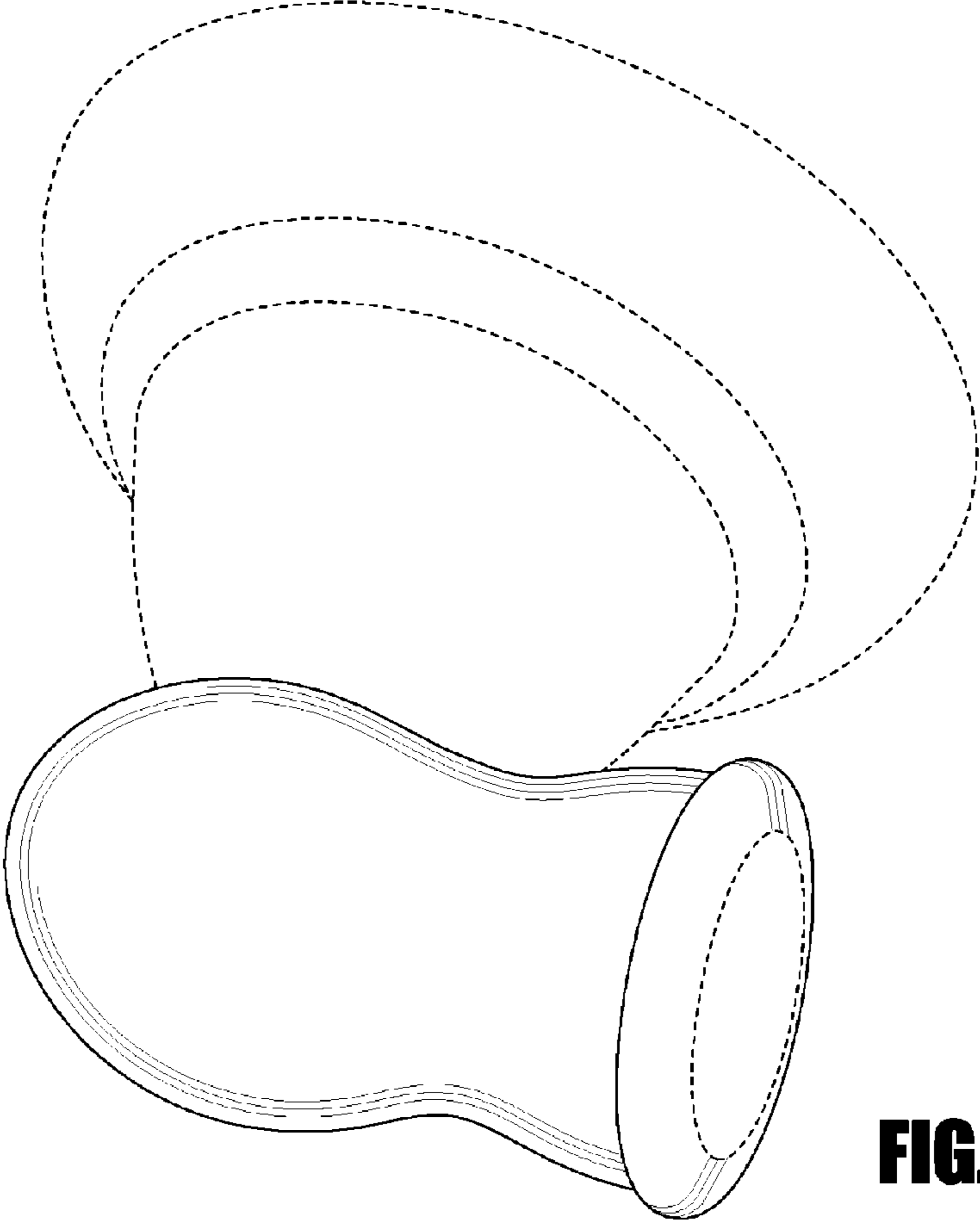


FIG. 1

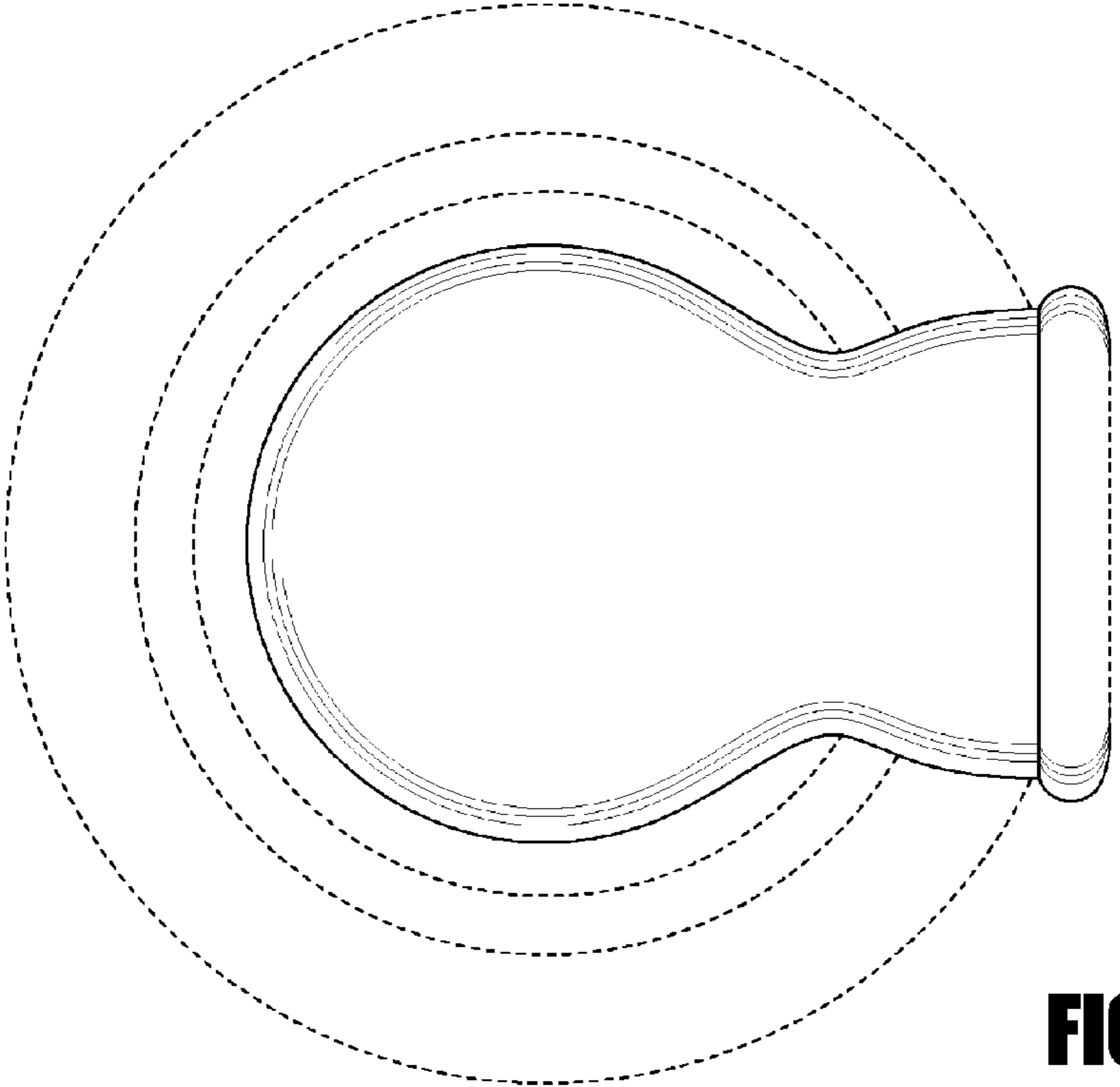


FIG. 2

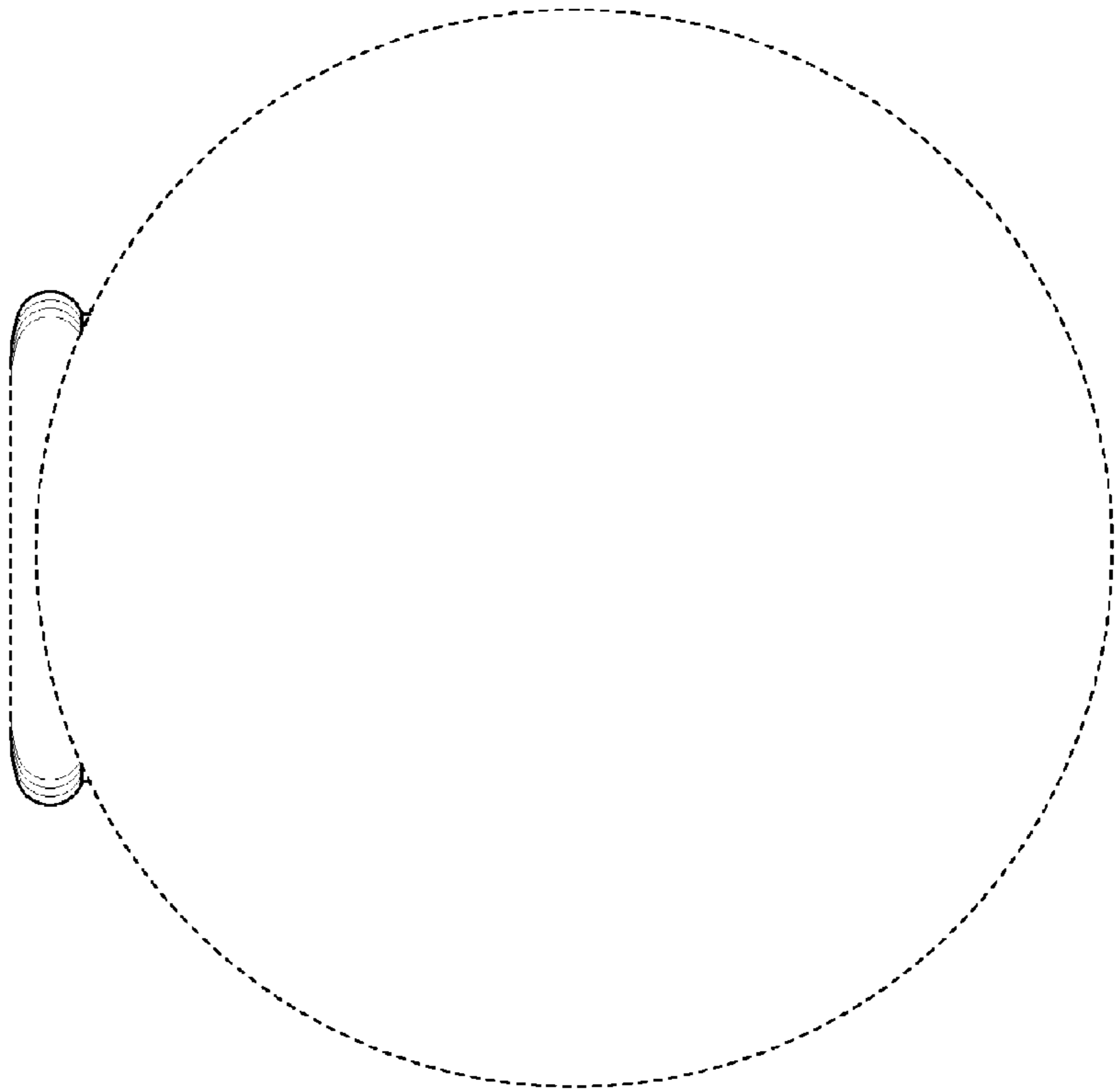


FIG. 3

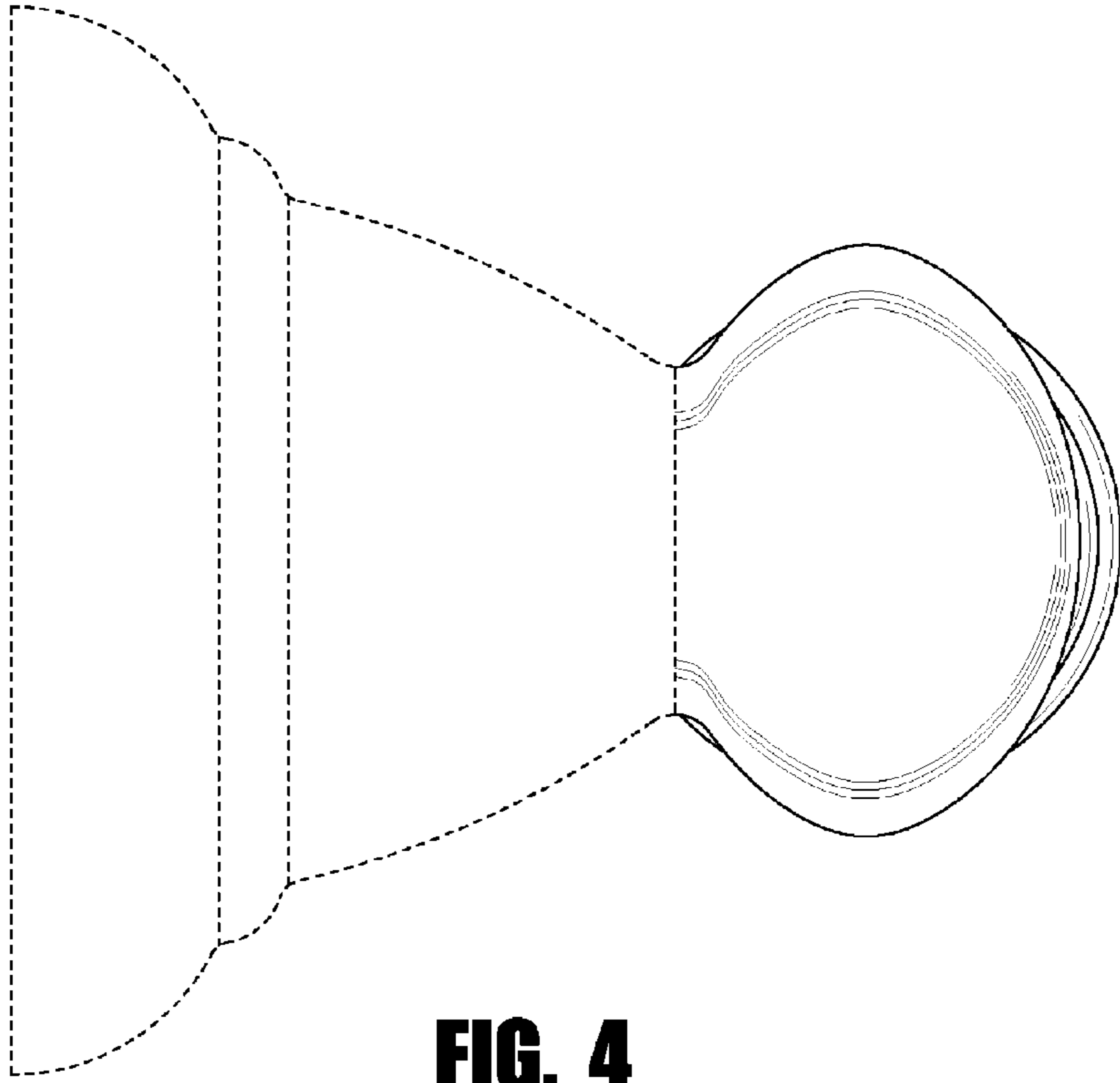


FIG. 4

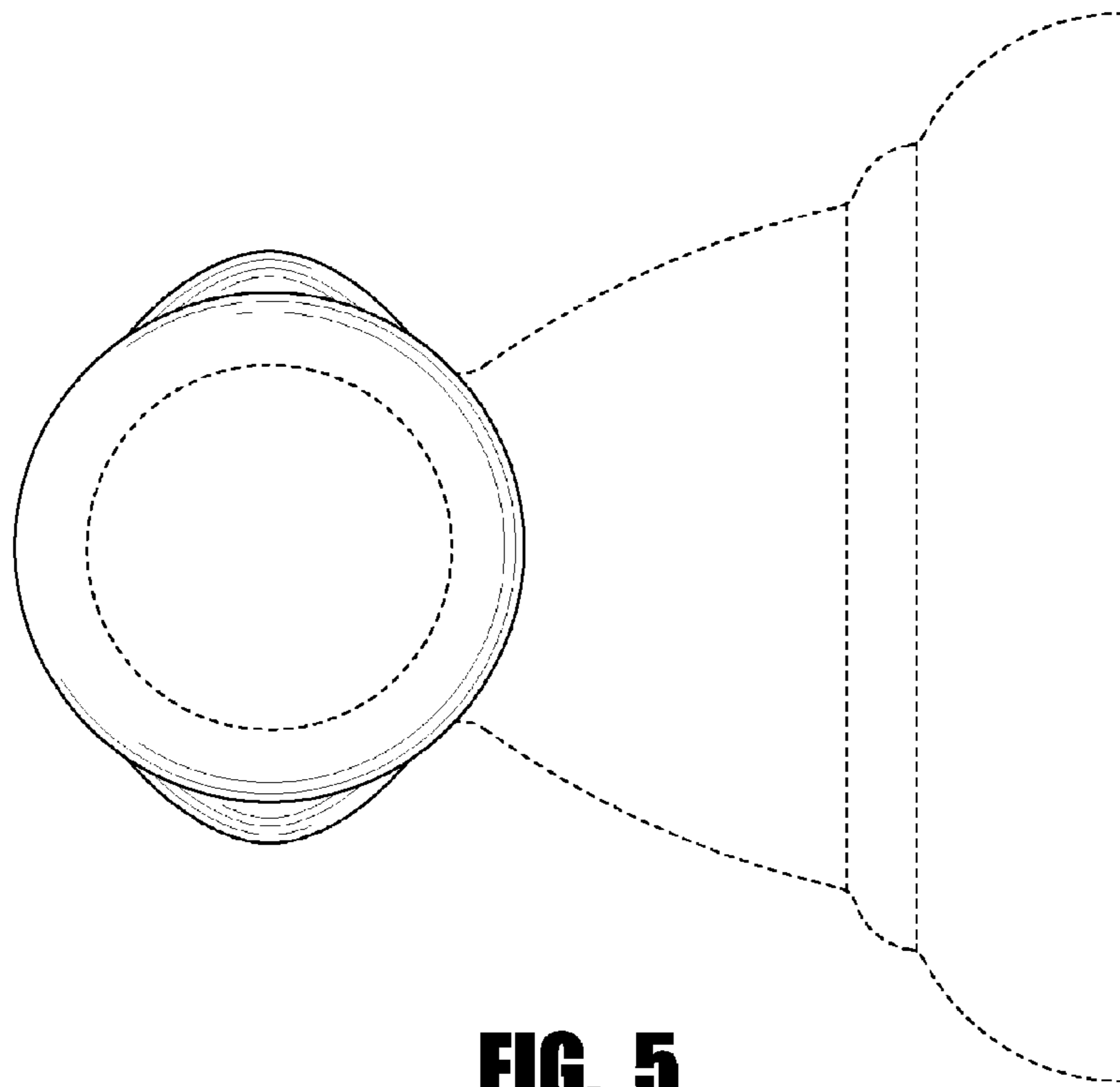


FIG. 5

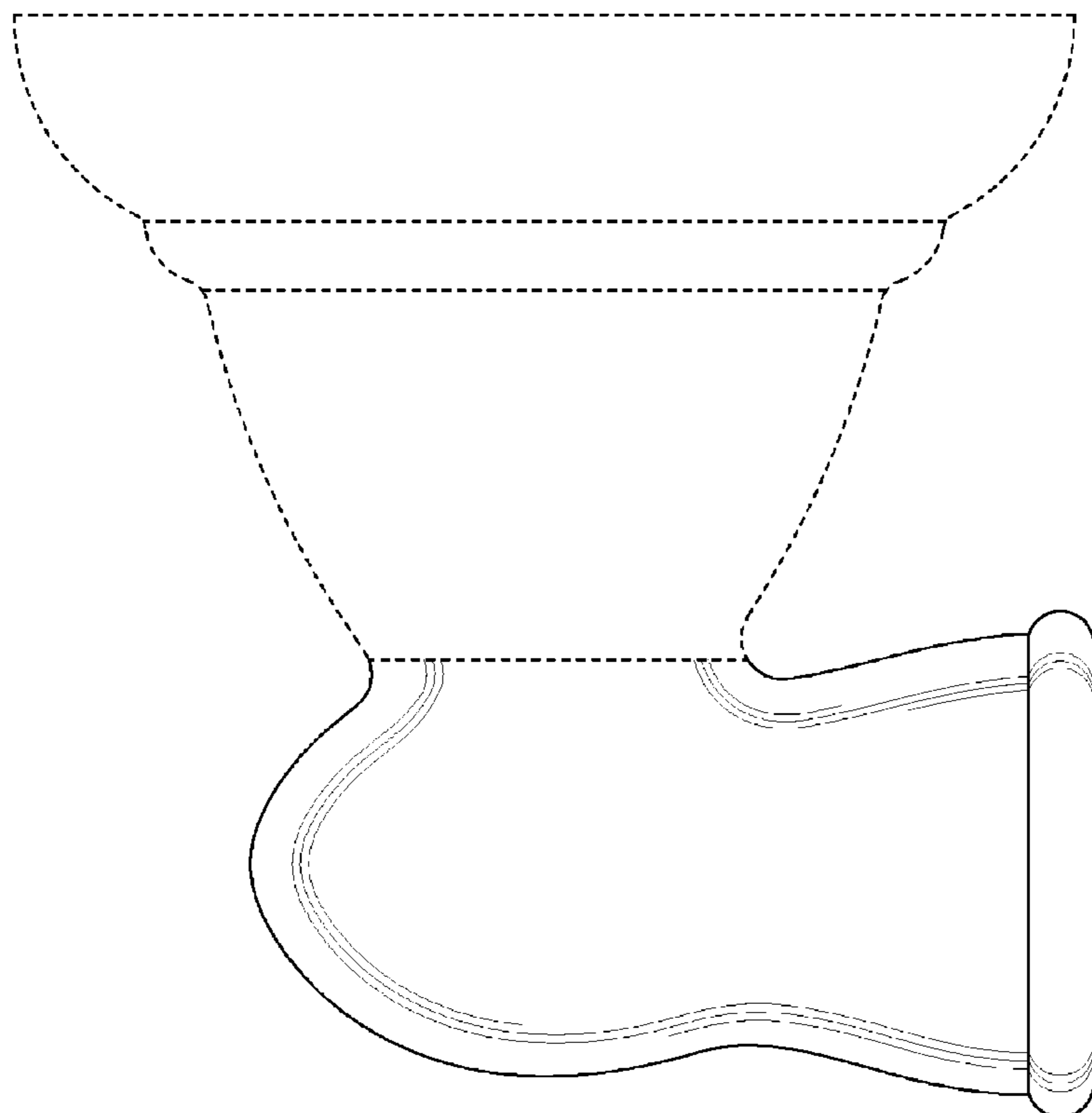


FIG. 6