



US00D633737S

(12) **United States Design Patent**
Gilbert

(10) **Patent No.:** **US D633,737 S**

(45) **Date of Patent:** **** Mar. 8, 2011**

(54) **ACCESSORY POST**

(75) Inventor: **Christopher Jon Gilbert**, Moreland Hills, OH (US)

(73) Assignee: **Moen Incorporated**, North Olmsted, OH (US)

(**) Term: **14 Years**

(21) Appl. No.: **29/355,887**

(22) Filed: **Feb. 16, 2010**

(51) **LOC (9) Cl.** **23-02**

(52) **U.S. Cl.** **D6/524; D6/550**

(58) **Field of Classification Search** D6/518-524, D6/546-550; D8/300, 370, 315; 108/28-29; 211/13.1, 16, 85.5, 86.01, 87.01, 88.04, 100, 211/105.1, 105.2, 106, 113, 123, 181.1, 182-183; 248/49, 175, 176.1, 200, 201, 205.1, 251, 248/302, 309.1, 315; 242/570, 590, 595-598
See application file for complete search history.

(56) **References Cited**

U.S. PATENT DOCUMENTS

D466,737 S	12/2002	Tai	
D516,354 S *	3/2006	Sedwick	D6/550
D516,357 S *	3/2006	Gilbert et al.	D6/550
D520,282 S *	5/2006	Hoernig	D6/550
D520,789 S *	5/2006	Zhu et al.	D6/500
D520,792 S *	5/2006	Wu	D6/550
D524,918 S	7/2006	Barry	
D533,384 S *	12/2006	Gilbert	D6/550
D533,642 S *	12/2006	Gilbert et al.	D6/524
D544,266 S *	6/2007	Wu	D6/524

D544,269 S	6/2007	Hoernig	
D551,325 S *	9/2007	Kennard	D6/524
D551,479 S *	9/2007	Gilbert	D6/524
D554,406 S *	11/2007	Sedwick	D6/524
D556,034 S	11/2007	Lee	
D557,049 S *	12/2007	Sedwick et al.	D6/524
D573,385 S	7/2008	Guo et al.	

* cited by examiner

Primary Examiner—Brian N Vinson

(74) *Attorney, Agent, or Firm*—Calfee, Halter & Griswold LLP

(57) **CLAIM**

The ornamental design for an accessory post, as shown and described.

DESCRIPTION

FIG. 1 is a perspective view of an accessory post of the new design;

FIG. 2 is a front elevational view of the accessory post of FIG. 1;

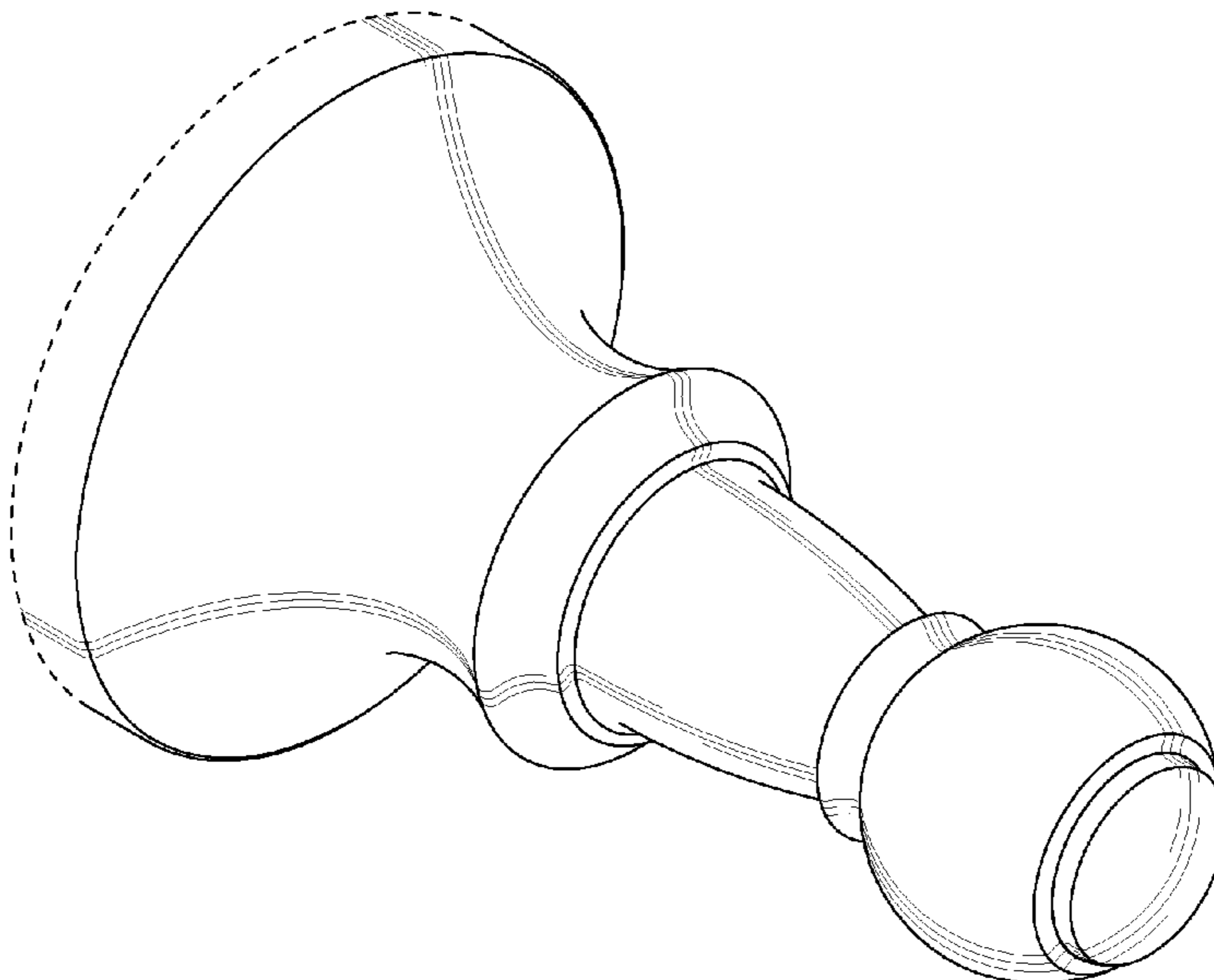
FIG. 3 is a left side elevational view of the accessory post of FIG. 1;

FIG. 4 is a right side elevational view of the accessory post of FIG. 1; and,

FIG. 5 is a top plan view of the accessory post of FIG. 1, the bottom plan view being a mirror image thereof.

The broken-line disclosure in the views is understood to represent portions of the article in which the claimed design is embodied, but which forms no part of the claimed design.

1 Claim, 3 Drawing Sheets



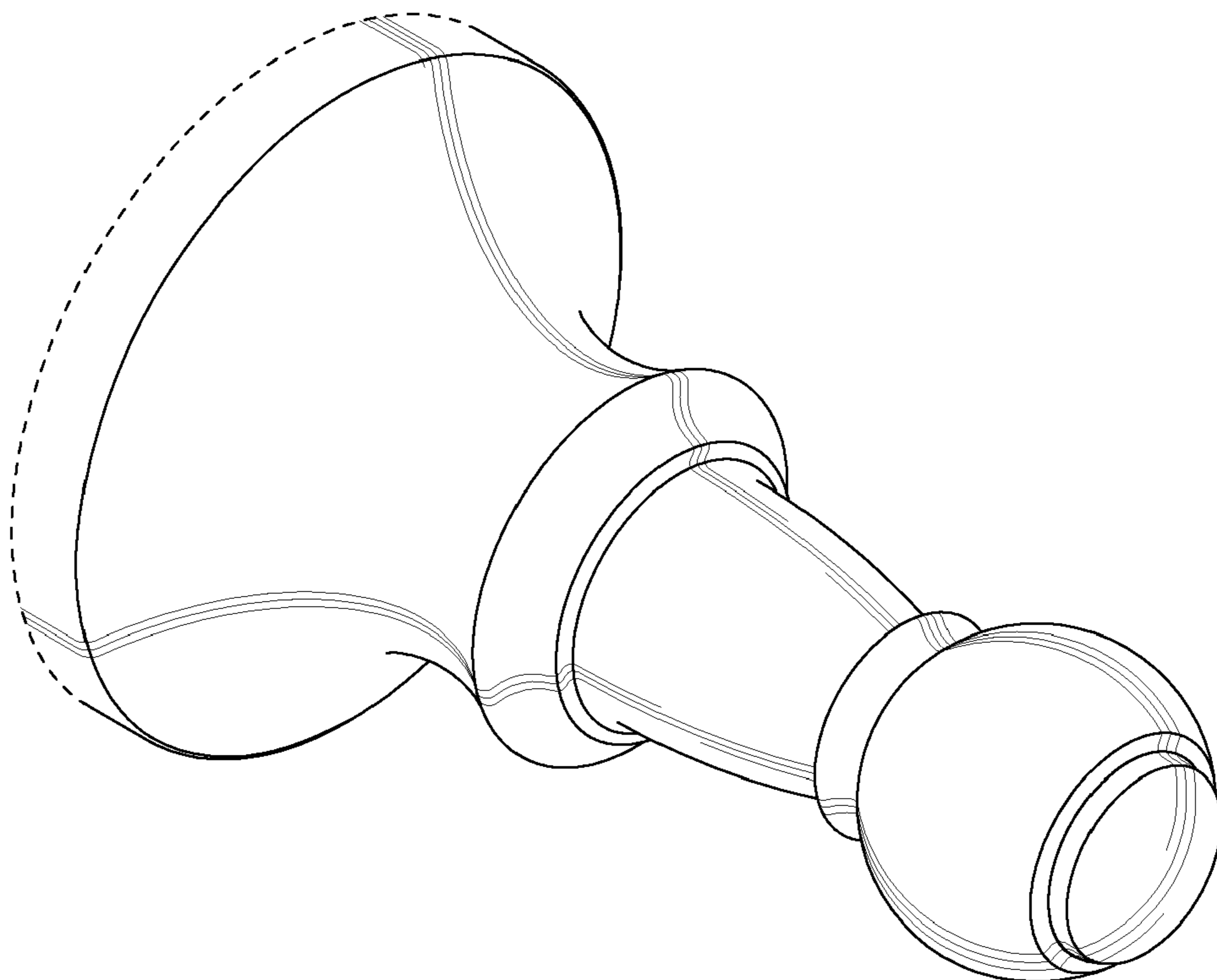


FIG. 1

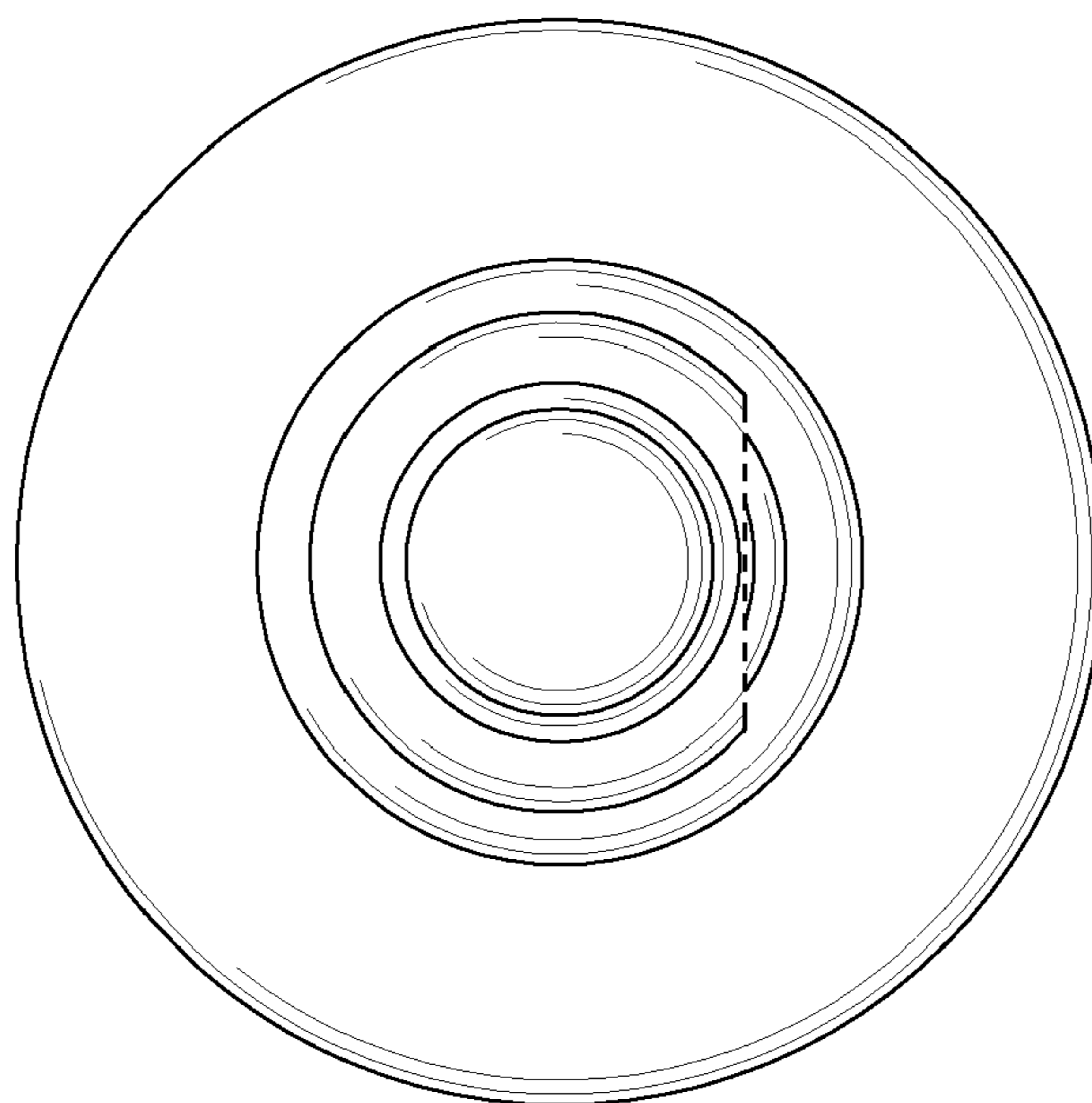


FIG. 2

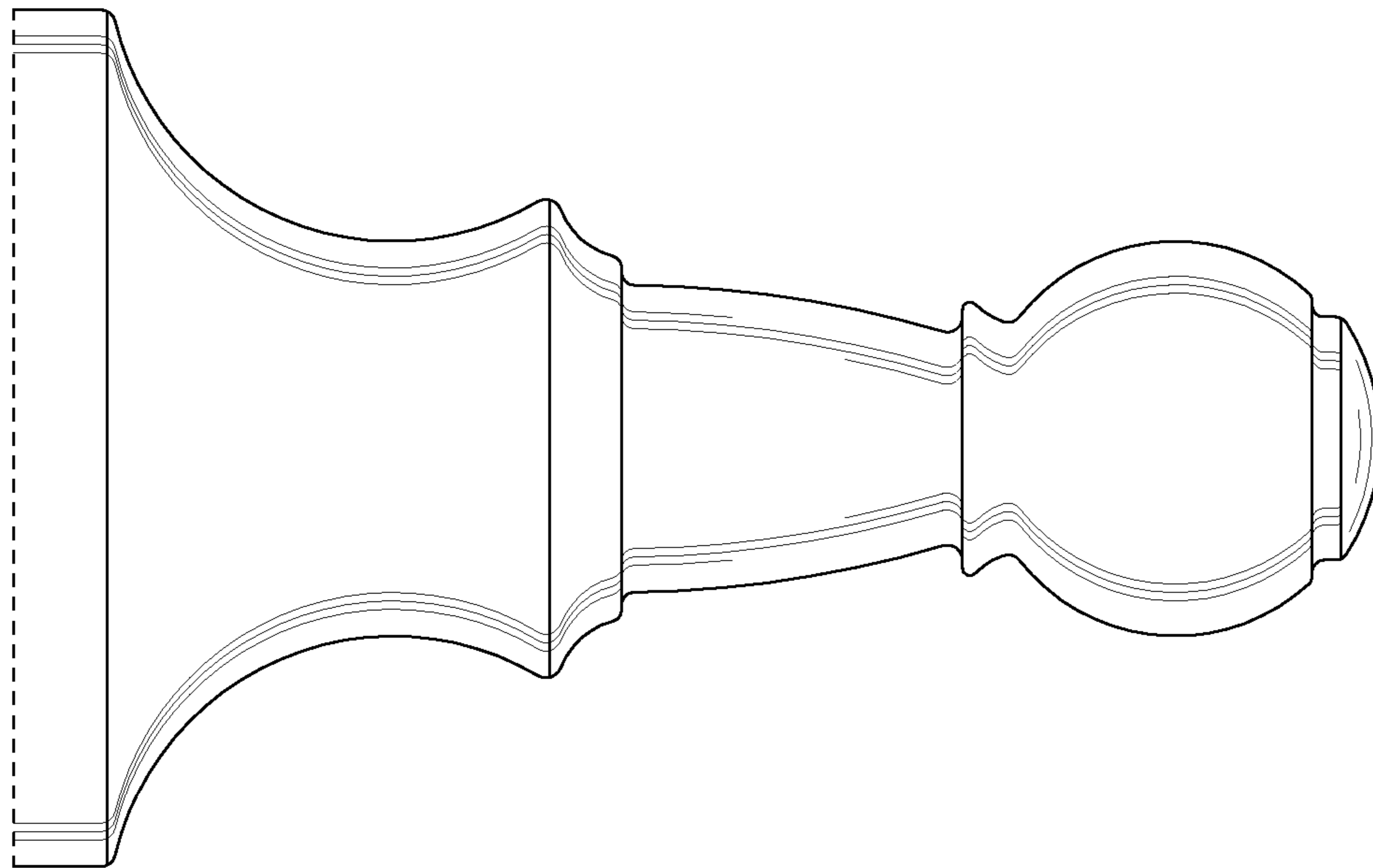


FIG. 3

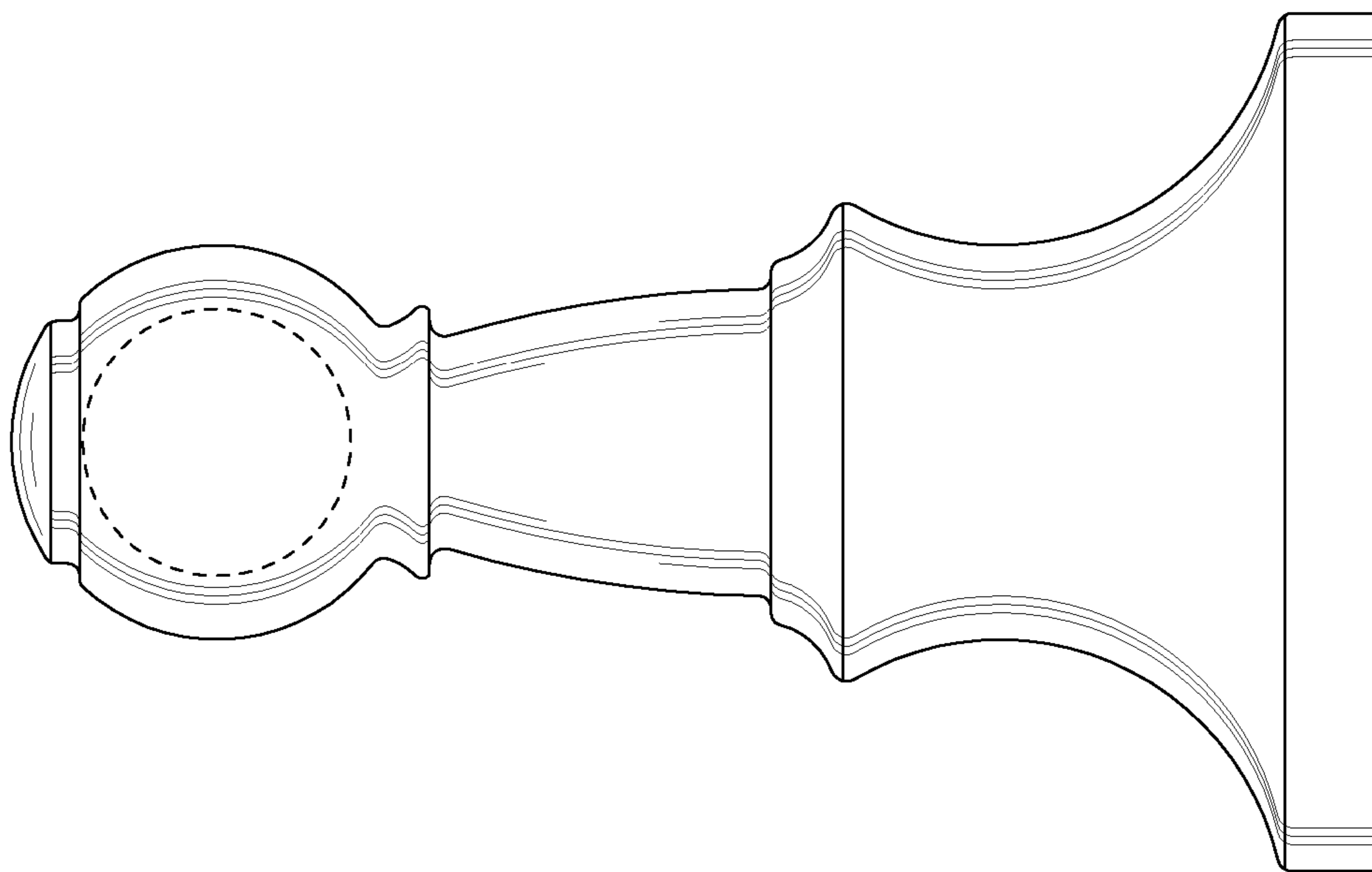


FIG. 4

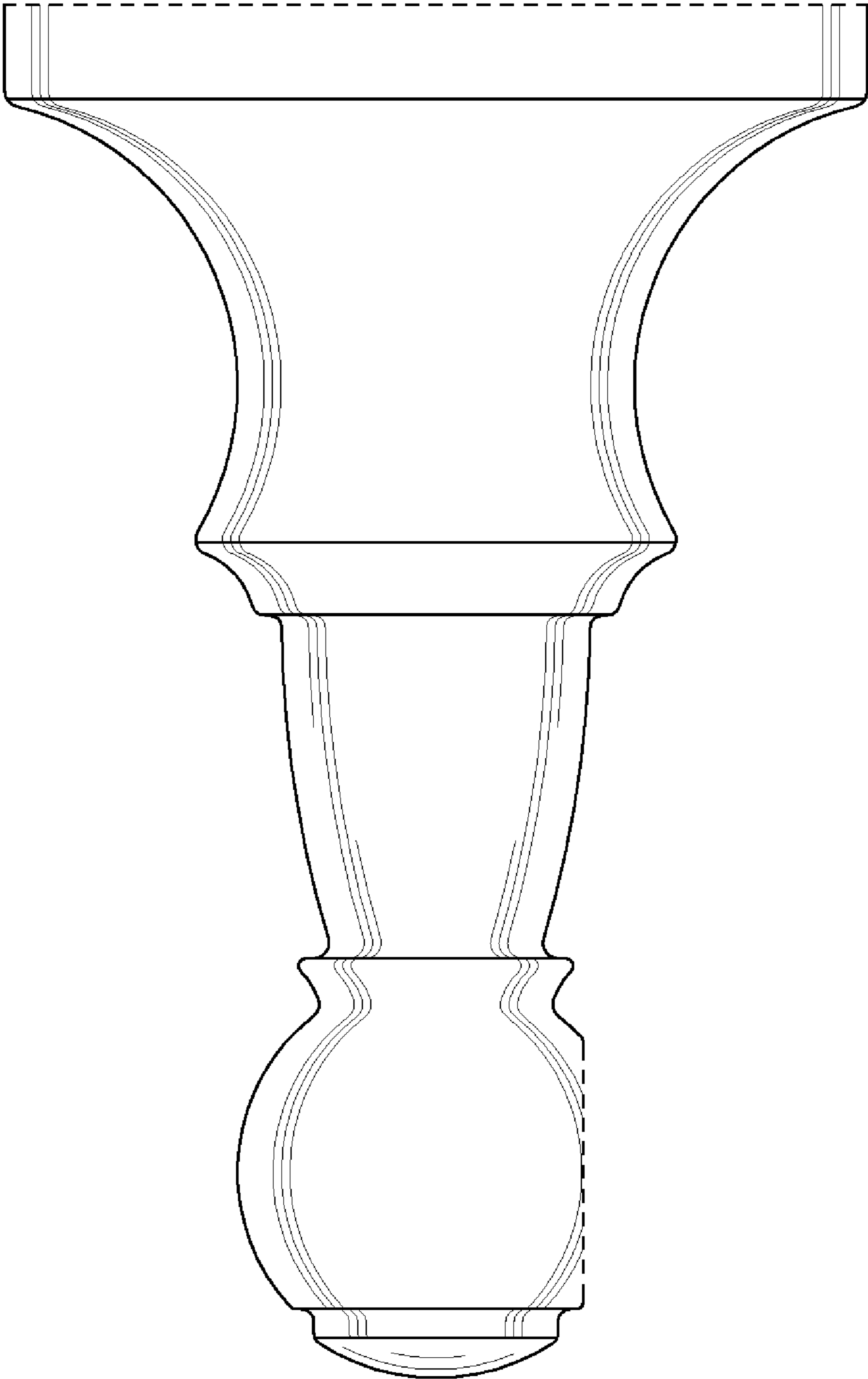


FIG. 5