



US00D633736S

(12) **United States Design Patent**  
**Sedwick**

(10) **Patent No.:** **US D633,736 S**

(45) **Date of Patent:** **\*\* Mar. 8, 2011**

(54) **ACCESSORY POST**

(75) Inventor: **Jennifer P. Sedwick**, Lakewood, OH  
(US)

(73) Assignee: **Moen Incorporated**, North Olmsted,  
OH (US)

(\*\*) Term: **14 Years**

(21) Appl. No.: **29/355,437**

(22) Filed: **Feb. 8, 2010**

(51) **LOC (9) Cl.** ..... **23-02**

(52) **U.S. Cl.** ..... **D6/524; D6/550**

(58) **Field of Classification Search** ..... D6/518–524,  
D6/546–550; D8/300, 370, 315; 108/28–29;  
211/13.1, 16, 85.5, 86.01, 87.01, 88.04, 100,  
211/105.1, 105.2, 106, 113, 123, 181.1, 182–183;  
248/49, 175, 176.1, 200, 201, 205.1, 251,  
248/302, 309.1, 315; 242/570, 590, 595–598  
See application file for complete search history.

(56) **References Cited**

**U.S. PATENT DOCUMENTS**

D84,671 S	7/1931	Baker	
D163,444 S	5/1951	Crook	
D191,781 S	11/1961	Latham	
D272,591 S	2/1984	Shames et al.	
D327,196 S	6/1992	Crook et al.	
D386,923 S	12/1997	Moore	
D388,644 S	1/1998	Chen	
D416,419 S	11/1999	Chen	
D417,605 S	12/1999	Sartini et al.	
D439,088 S	3/2001	Chen	
D451,737 S	12/2001	Chen	
D451,738 S	12/2001	Yeh	
D452,402 S *	12/2001	Chen	D6/550
D454,459 S	3/2002	Meck et al.	
D481,235 S *	10/2003	Gilbert	D6/524
D483,585 S *	12/2003	Chen	D6/524

D492,151 S	6/2004	Chen	
D517,655 S	3/2006	Ogata et al.	
D519,766 S	5/2006	Gilbert	
D522,786 S	6/2006	Chu et al.	
D534,023 S *	12/2006	Berberet et al.	D6/523
D551,001 S *	9/2007	Pipe	D6/524
D562,606 S *	2/2008	Chen	D6/524
D569,147 S *	5/2008	Gilbert	D6/524
D596,887 S	7/2009	Sedwick	
D596,888 S *	7/2009	Domanski	D6/550

\* cited by examiner

*Primary Examiner*—Brian N Vinson

(74) *Attorney, Agent, or Firm*—Calfee, Halter & Griswold  
LLP

(57) **CLAIM**

The ornamental design for an accessory post, as shown and described.

**DESCRIPTION**

FIG. 1 is a perspective view of an accessory post of the new design;

FIG. 2 is a front elevational view of the accessory post of FIG. 1;

FIG. 3 is a rear elevational view of the accessory post of FIG. 1;

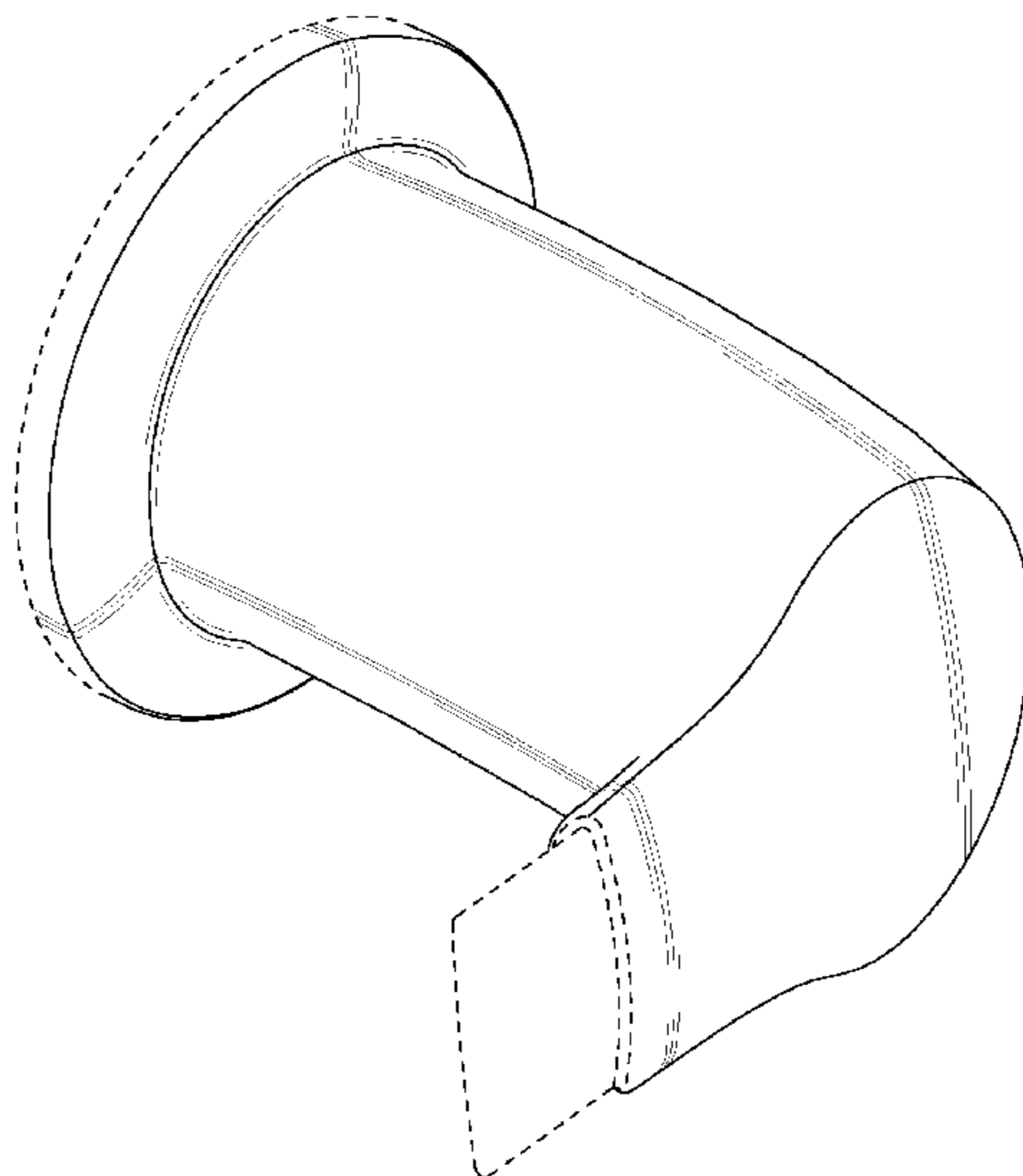
FIG. 4 is a left side elevational view of the accessory post of FIG. 1;

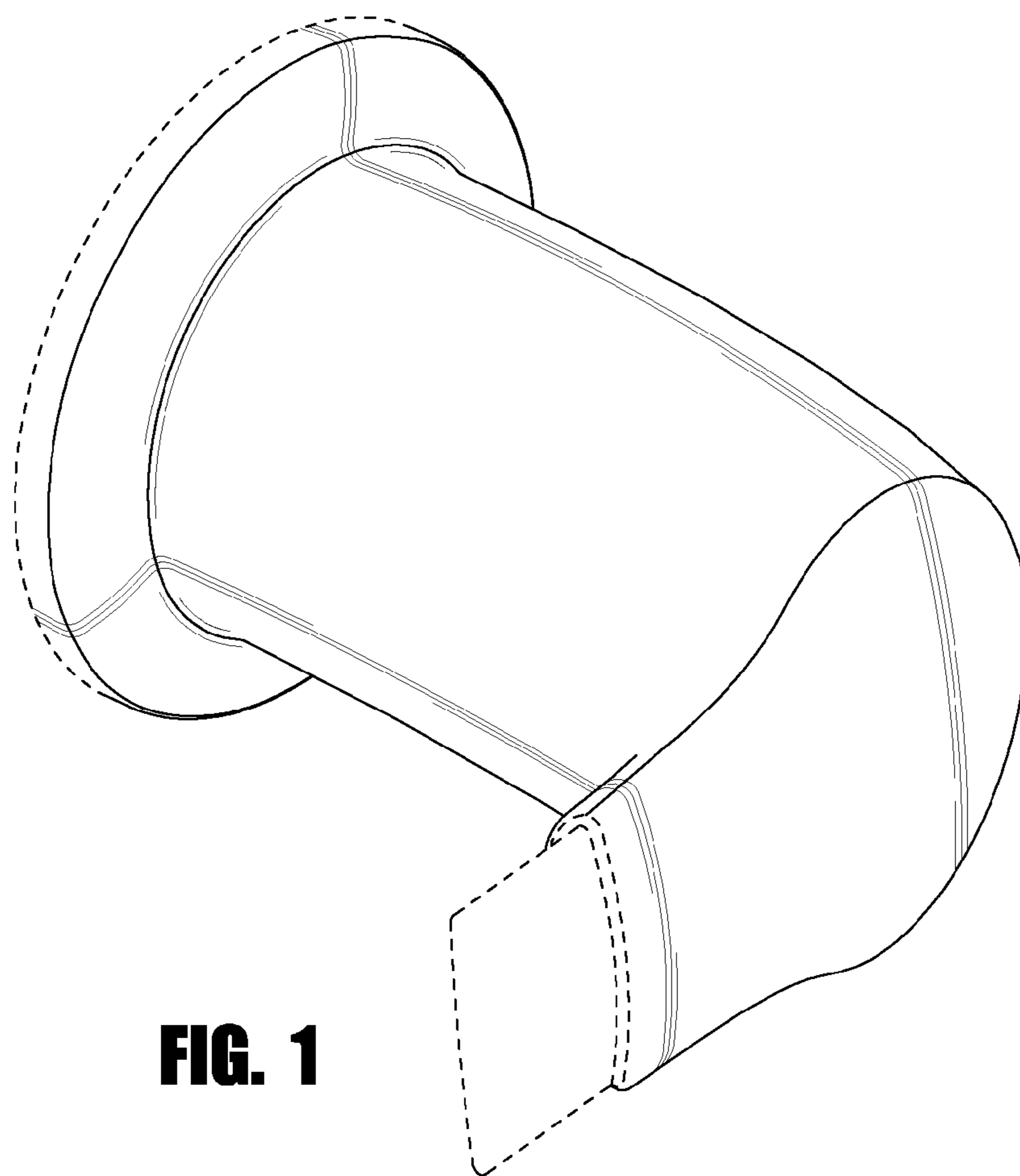
FIG. 5 is a right side elevational view of the accessory post of FIG. 1; and,

FIG. 6 is a top plan view of the accessory post of FIG. 1, the bottom plan view being a mirror image thereof.

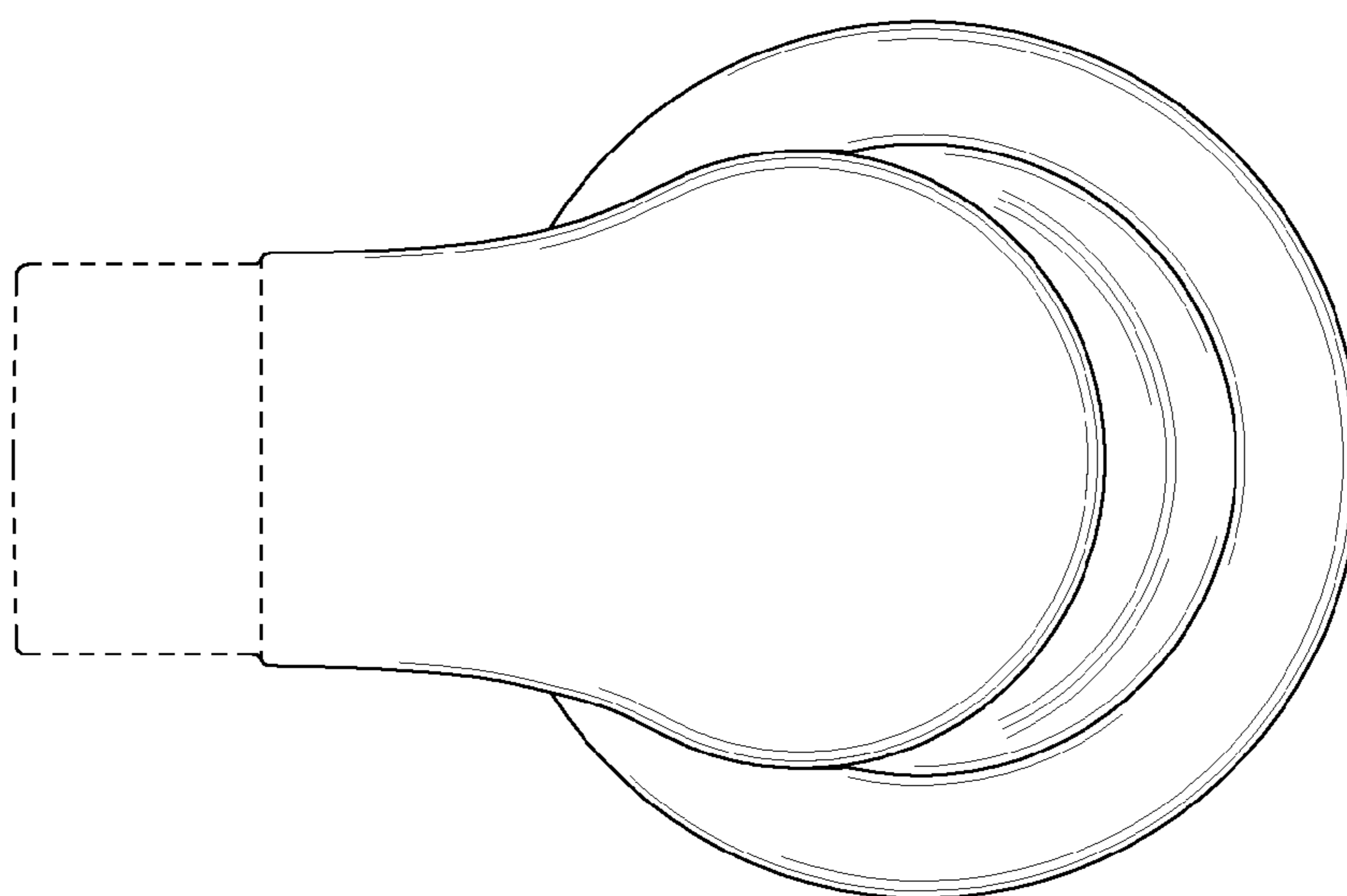
The broken-line disclosure in the views is understood to represent portions of the article in which the claimed design is embodied, but which forms no part of the claimed design.

**1 Claim, 3 Drawing Sheets**

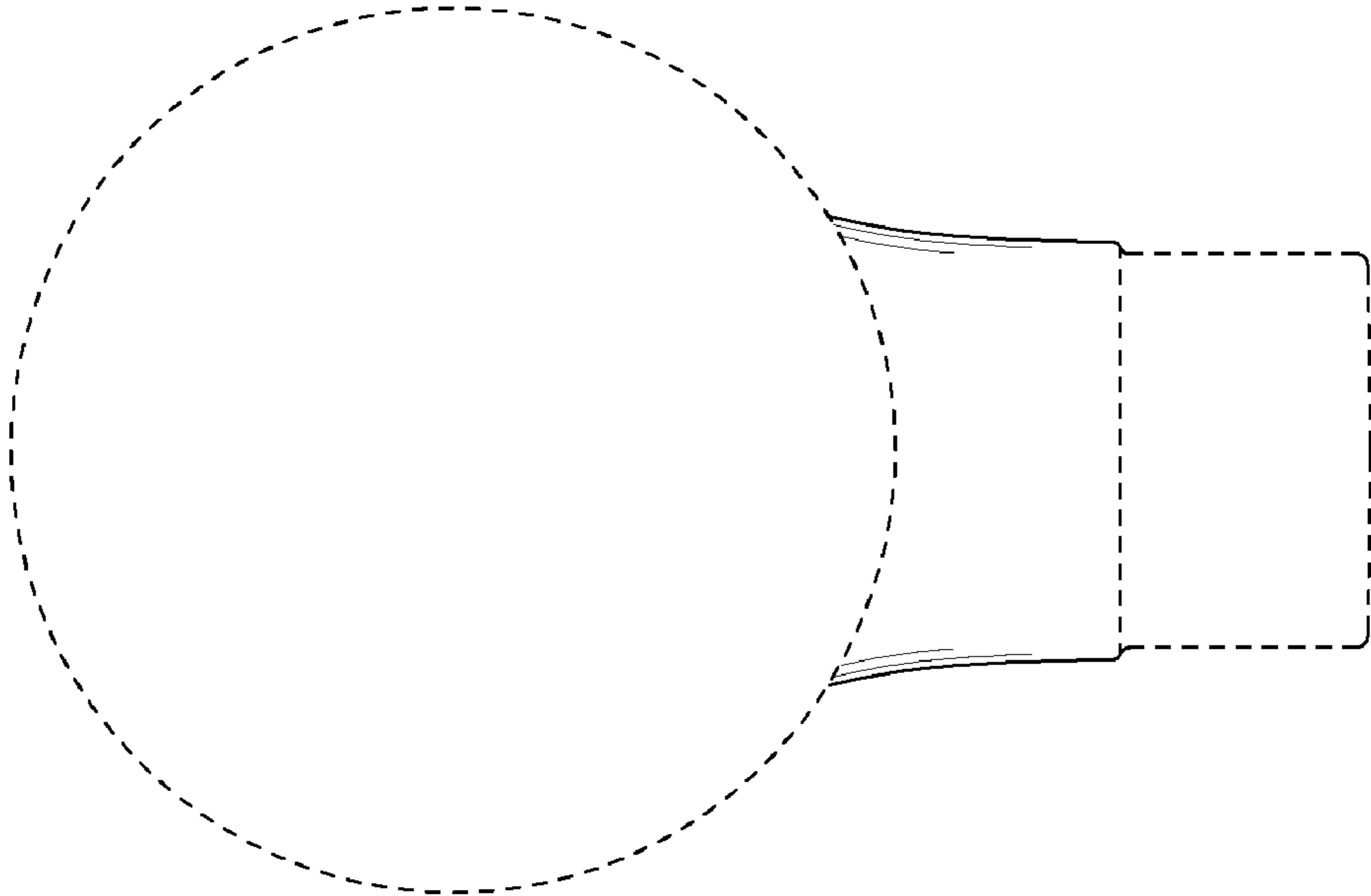




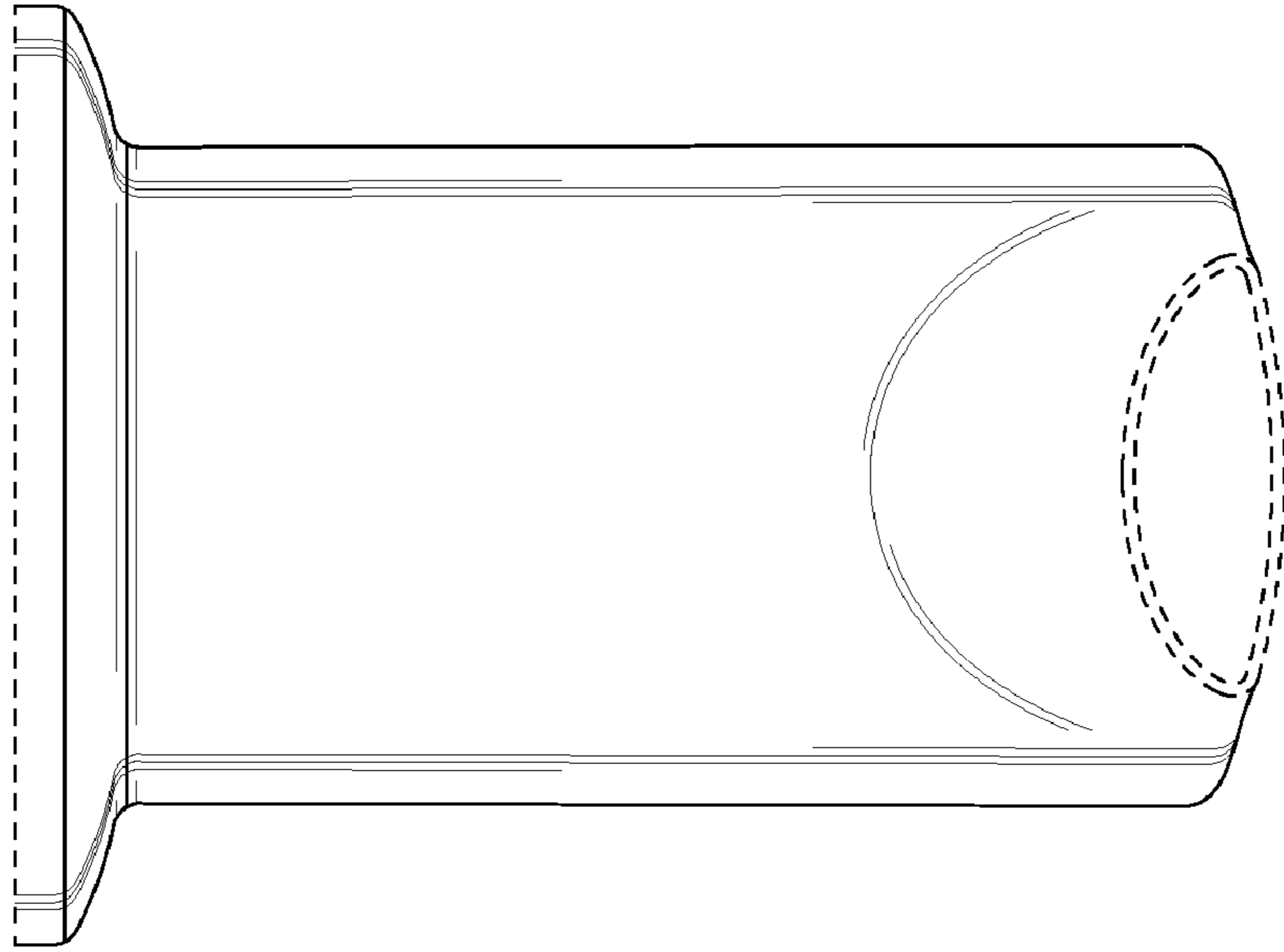
**FIG. 1**



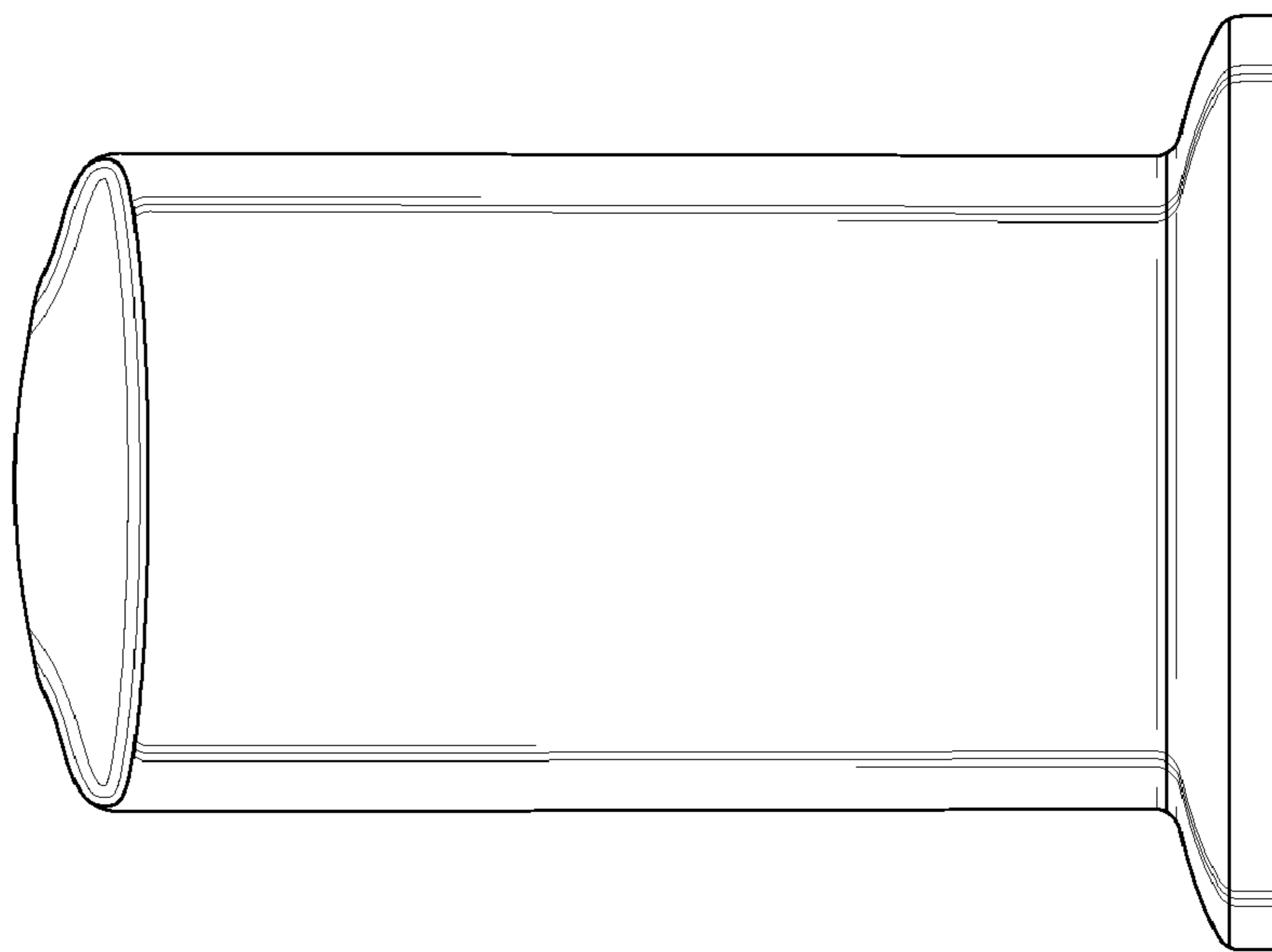
**FIG. 2**



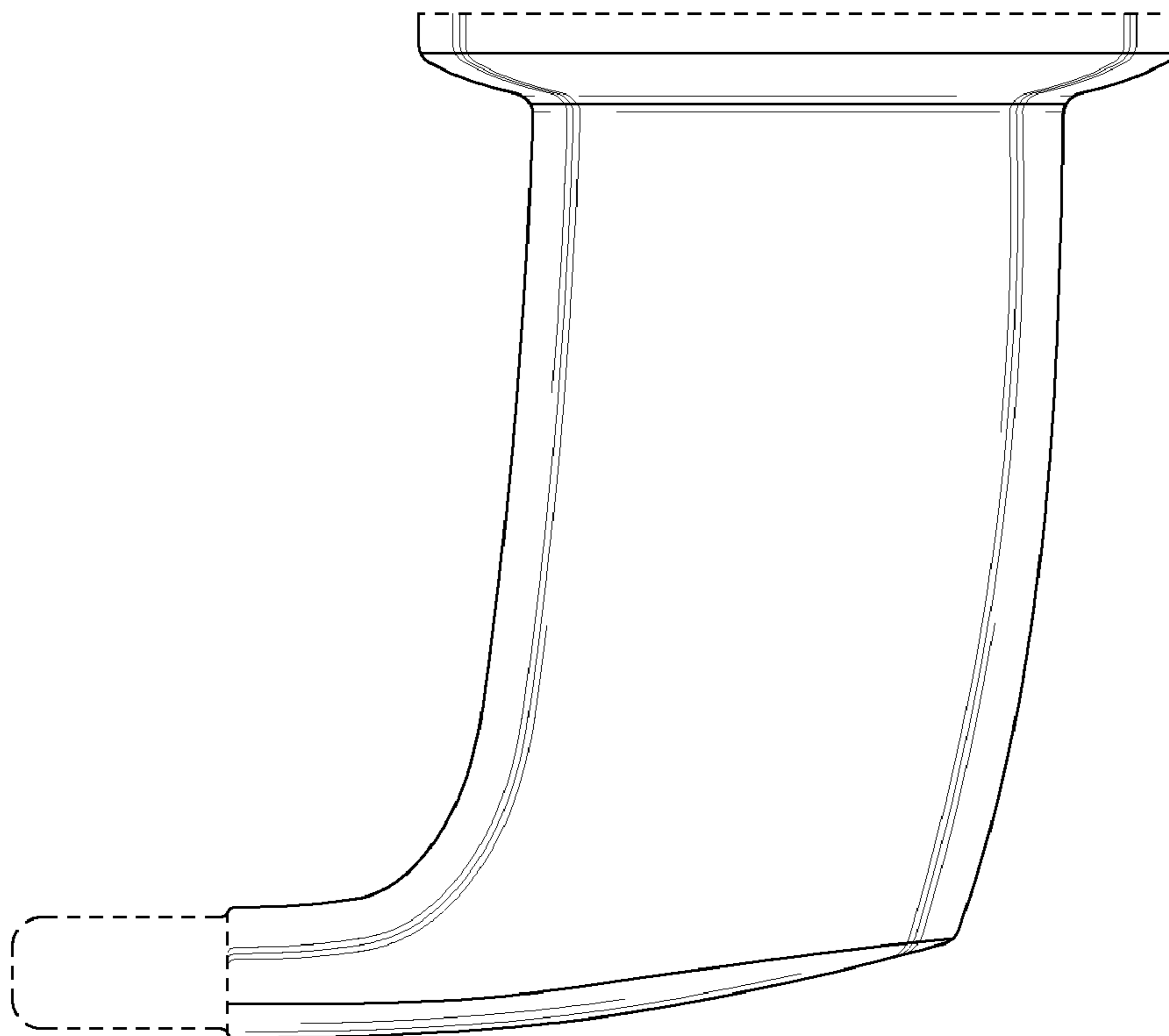
**FIG. 3**



**FIG. 4**



**FIG. 5**



**FIG. 6**