



US00D633734S

(12) **United States Design Patent**
Sexton

(10) **Patent No.:** **US D633,734 S**
(45) **Date of Patent:** **** Mar. 8, 2011**

(54) **PORTION OF A PIECE OF FURNITURE**

(75) Inventor: **James S. Sexton**, San Ramon, CA (US)

(73) Assignee: **Z-Line Designs, Inc.**, San Ramon, CA (US)

(**) Term: **14 Years**

(21) Appl. No.: **29/368,293**

(22) Filed: **Aug. 20, 2010**

Related U.S. Application Data

(63) Continuation of application No. 29/360,874, filed on Apr. 30, 2010, which is a continuation of application No. 29/345,305, filed on Oct. 13, 2009, now Pat. No. Des. 617,116.

(51) **LOC (9) Cl.** **06-03**

(52) **U.S. Cl.** **D6/495**

(58) **Field of Classification Search** D6/422-428, D6/480-484, 495-499; 312/194-196, 239, 312/279; 108/50.01, 50.02, 153.1, 155, 156, 108/161; 248/188, 188.1, 188.8
See application file for complete search history.

(56) **References Cited**

U.S. PATENT DOCUMENTS

D471,030 S	3/2003	Chang	
D474,355 S	5/2003	Sexton	
D477,931 S *	8/2003	Chang D6/422
D501,339 S *	2/2005	Lai D6/480
D506,887 S	7/2005	McDiarmid	
D527,550 S	9/2006	Sexton	
7,111,564 B2	9/2006	Chang	
D549,009 S	8/2007	Lin	
D569,126 S	5/2008	Sexton	

D569,132 S	5/2008	Sexton	
D573,366 S	7/2008	Sexton	
D580,684 S	11/2008	Sexton	
D592,892 S	5/2009	Sexton	
D598,676 S	8/2009	Sexton	
D616,674 S	6/2010	Sexton	
D617,116 S *	6/2010	Sexton D6/425
D618,011 S *	6/2010	Sexton D6/426

OTHER PUBLICATIONS

U.S. Appl. No. 29/360,466, filed Apr. 26, 2010, titled "Desk", Inventor: James S. Sexton.

* cited by examiner

Primary Examiner—Janice E Seeger

(74) *Attorney, Agent, or Firm*—Kilpatrick Townsend & Stockton LLP

(57) **CLAIM**

The ornamental design for a portion of a piece of furniture, as shown and described.

DESCRIPTION

FIG. 1 is a perspective view of a portion of a piece of furniture showing my new design;

FIG. 2 is a top plan view thereof;

FIG. 3 is a bottom plan view thereof;

FIG. 4 is a right side elevational view thereof;

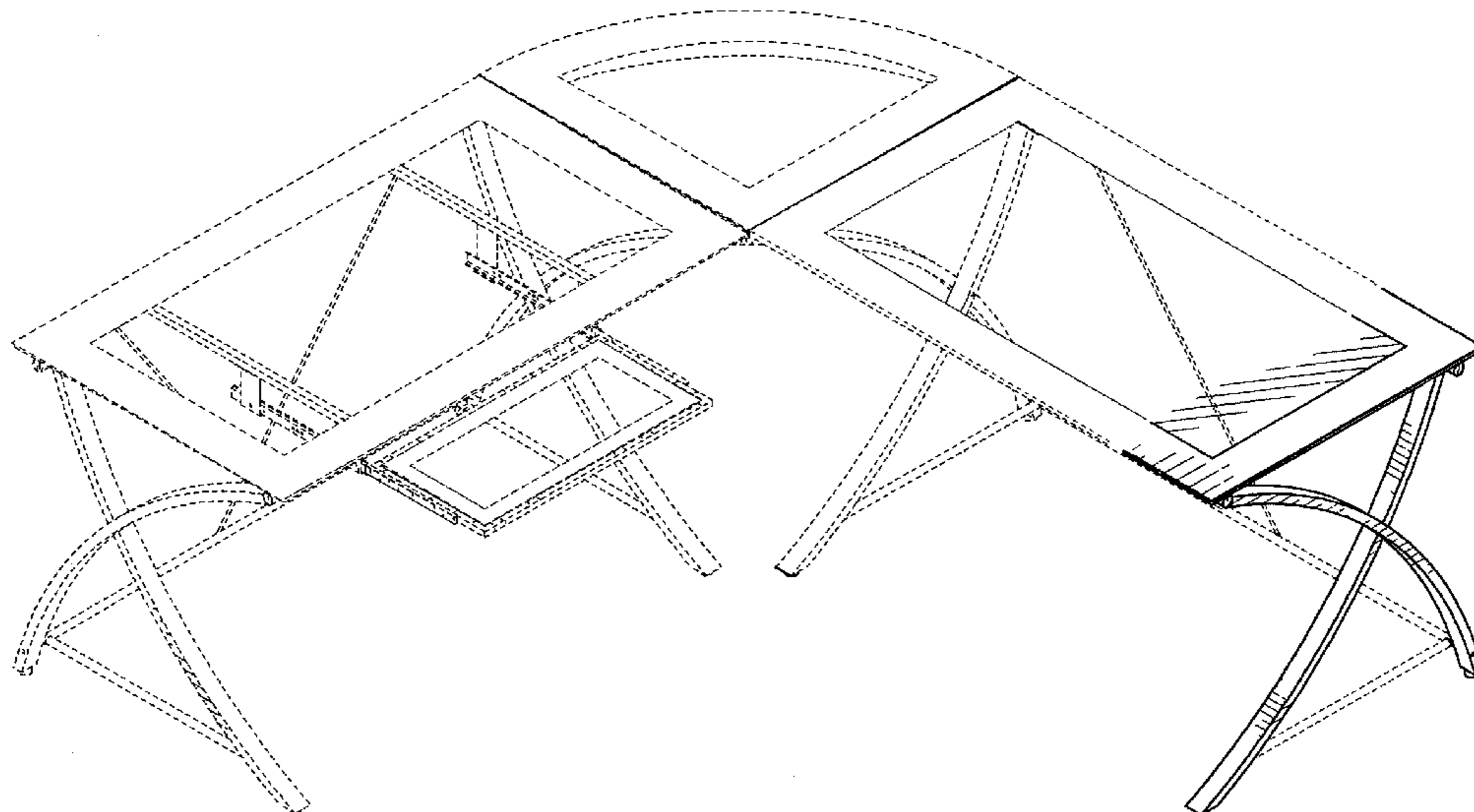
FIG. 5 is a left side elevational view thereof;

FIG. 6 is a rear elevational view thereof; and,

FIG. 7 is a front elevational view thereof.

The broken line showings are for environmental purposes only and form no part of the claimed design.

1 Claim, 5 Drawing Sheets



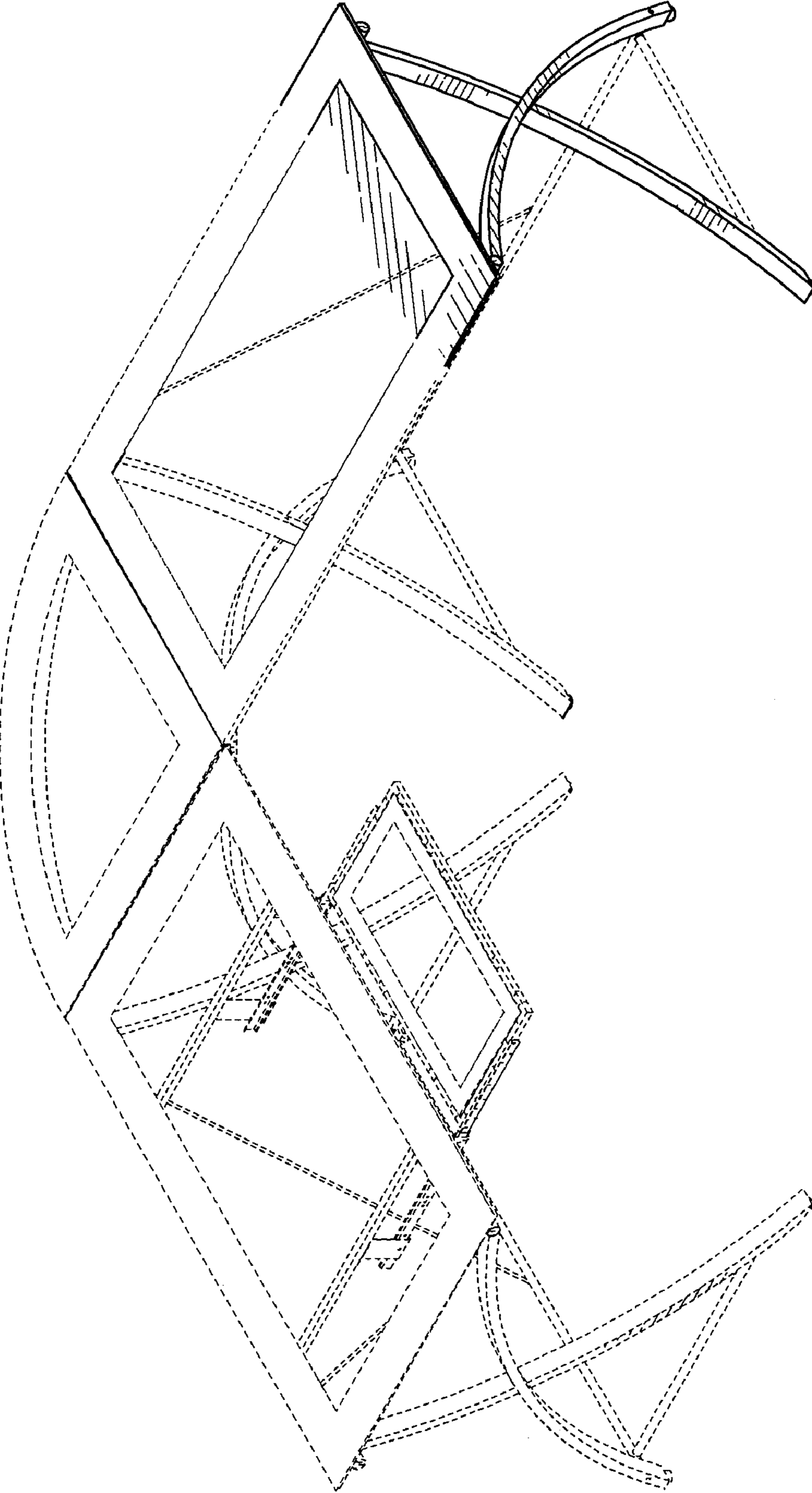


FIG. 1

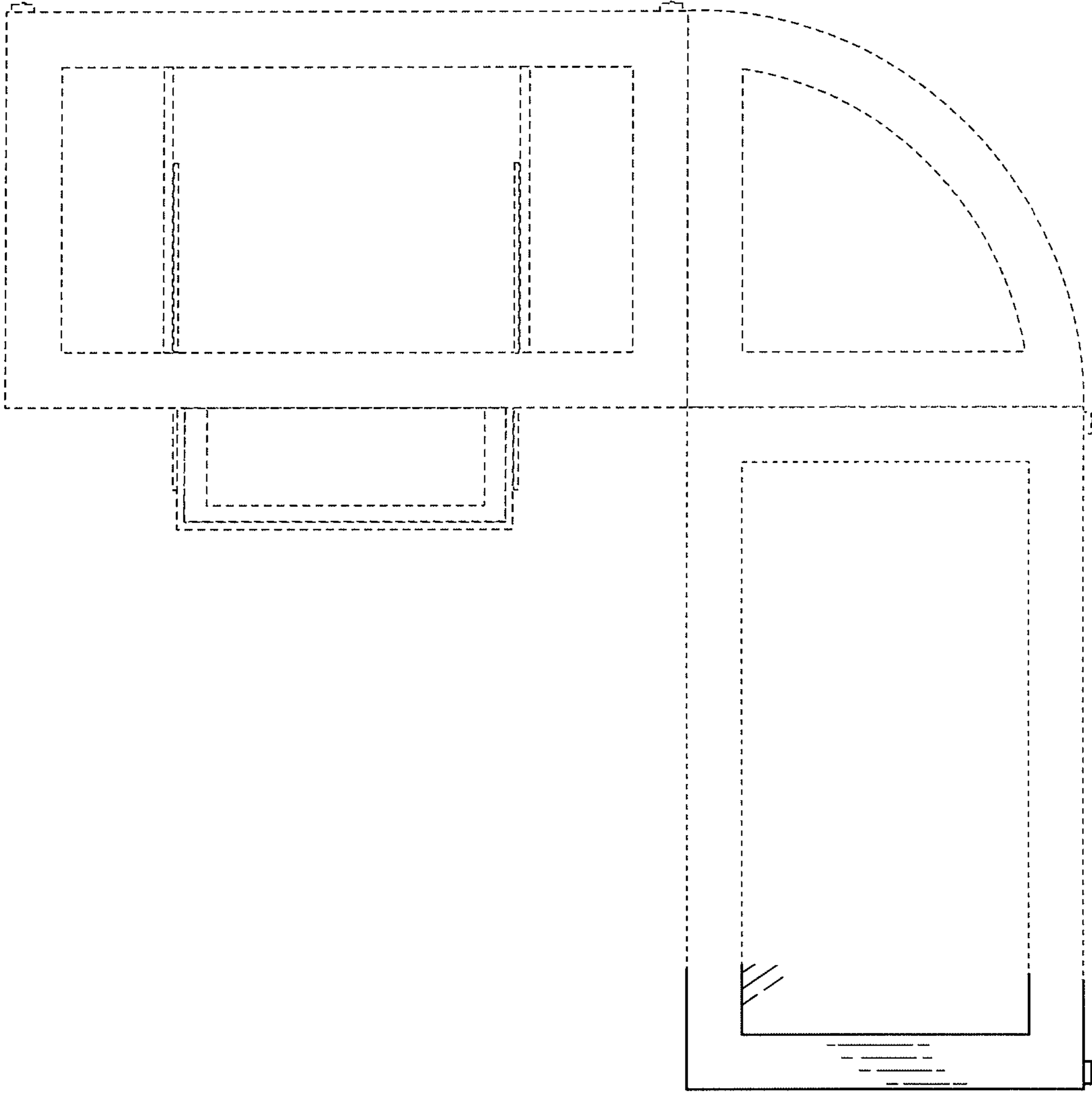


FIG. 2

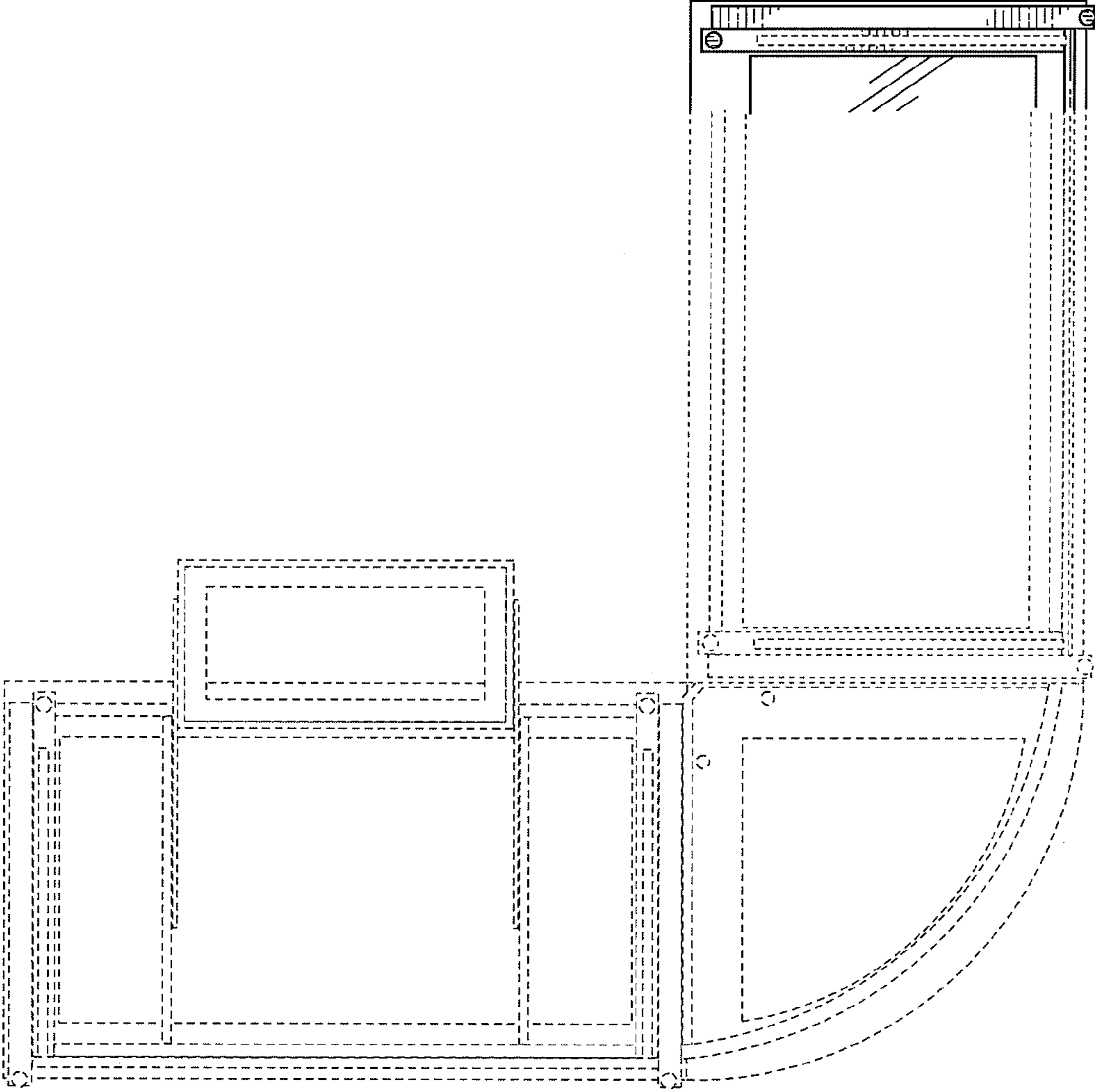


FIG. 3

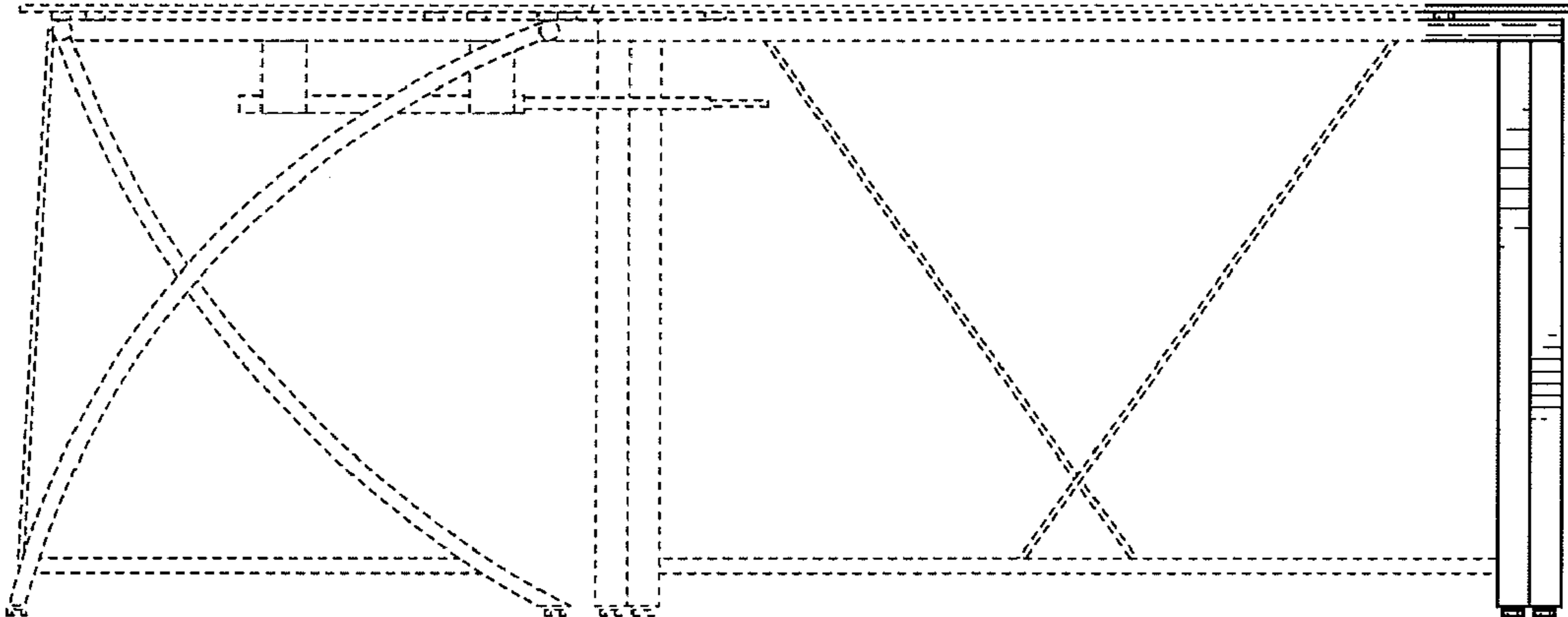


FIG. 4

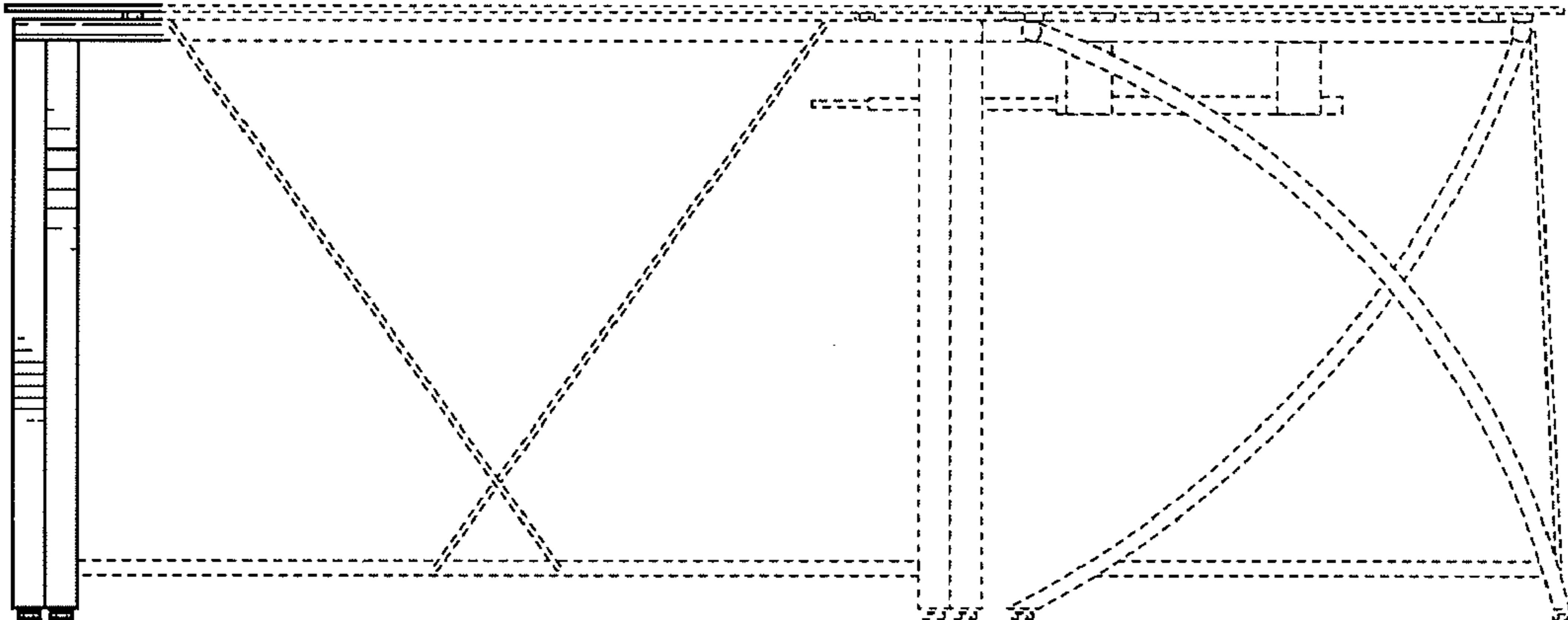


FIG. 5

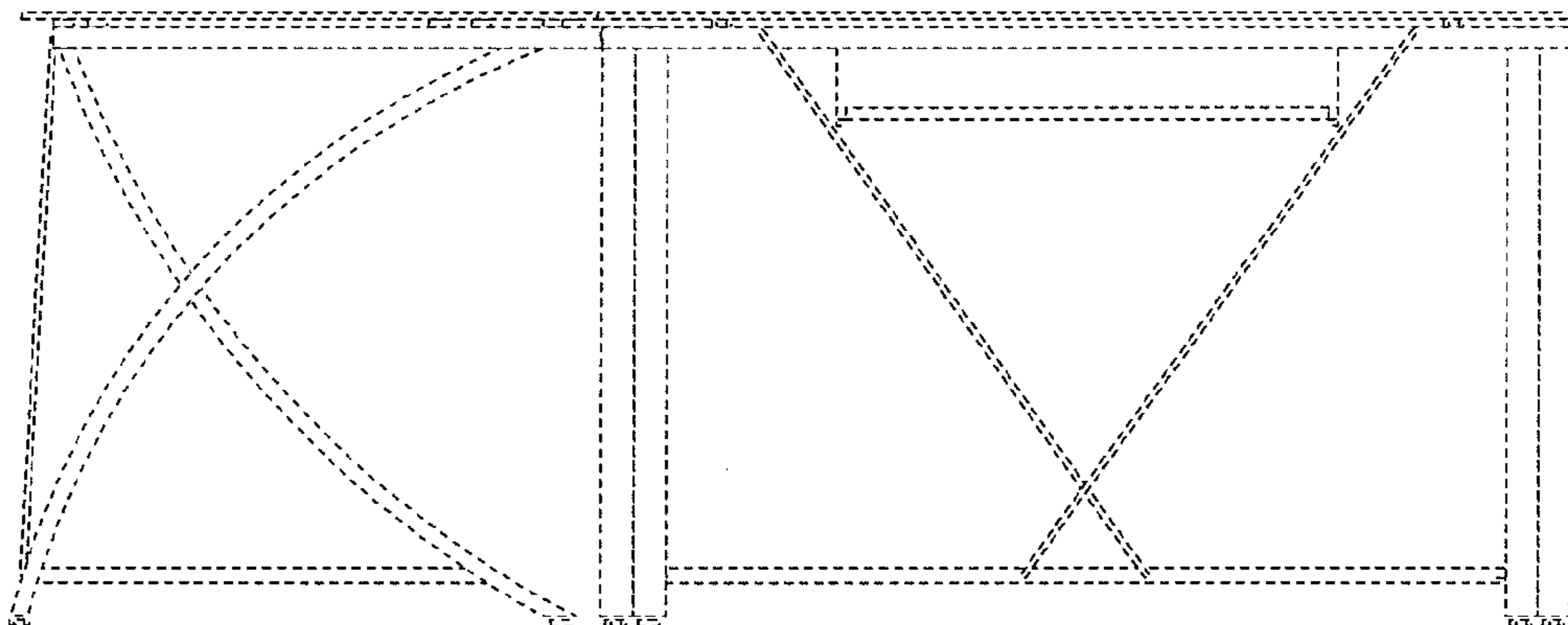


FIG. 6

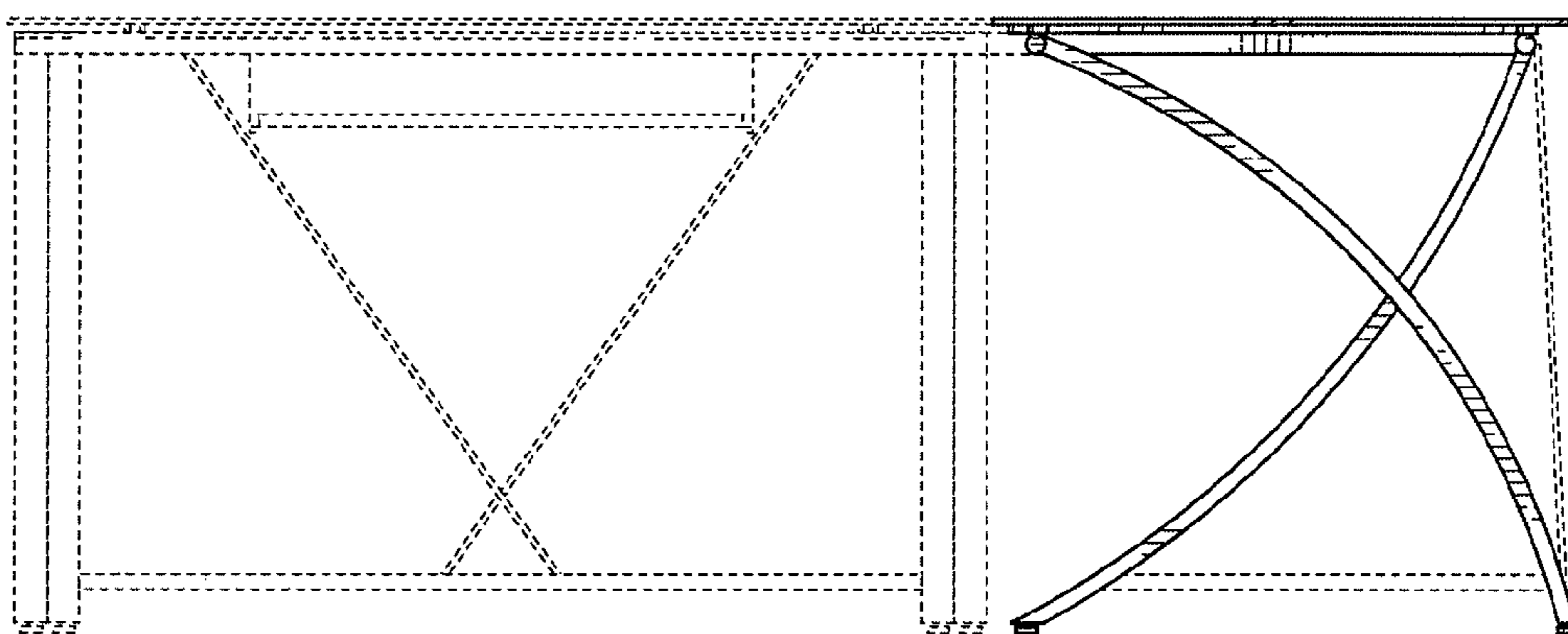


FIG. 7