



US00D633733S

(12) **United States Design Patent**
Riedel et al.

(10) **Patent No.:** **US D633,733 S**
(45) **Date of Patent:** **** Mar. 8, 2011**

(54) **HOLDER FOR STORAGE BOXES**
(75) Inventors: **Robert Byriel Riedel**, Horsens (DK);
Soren X. Frahm, Horsens (DK)

(73) Assignee: **Raaco International A/S** (DK)

(**) Term: **14 Years**

(21) Appl. No.: **29/344,548**

(22) Filed: **Sep. 30, 2009**

(30) **Foreign Application Priority Data**

Apr. 1, 2009 (EM) 001116073

(51) **LOC (9) Cl.** **06-06**

(52) **U.S. Cl.** **D6/477**

(58) **Field of Classification Search** D6/441,
D6/446-449, 477, 478, 479; 312/117, 126;
211/126.15, 134, 153, 126.1, 128.1

See application file for complete search history.

(56) **References Cited**

U.S. PATENT DOCUMENTS

4,080,907 A * 3/1978 Kaufman 108/59
4,469,231 A * 9/1984 Hehn 211/11
4,552,271 A * 11/1985 Kranz 211/126.16
D293,866 S * 1/1988 Marsh D6/570

D320,297 S * 9/1991 Hadashi D3/314
D349,817 S * 8/1994 Scott et al. D6/336
D358,523 S * 5/1995 Weisburn et al. D6/629
5,921,647 A * 7/1999 Schneider et al. 312/265.3
D515,847 S * 2/2006 Moon et al. D6/477

* cited by examiner

Primary Examiner — Elizabeth A Albert

Assistant Examiner — Kelley A Donnelly

(74) *Attorney, Agent, or Firm* — St. Onge Steward Johnston
& Reens, LLC

(57) **CLAIM**

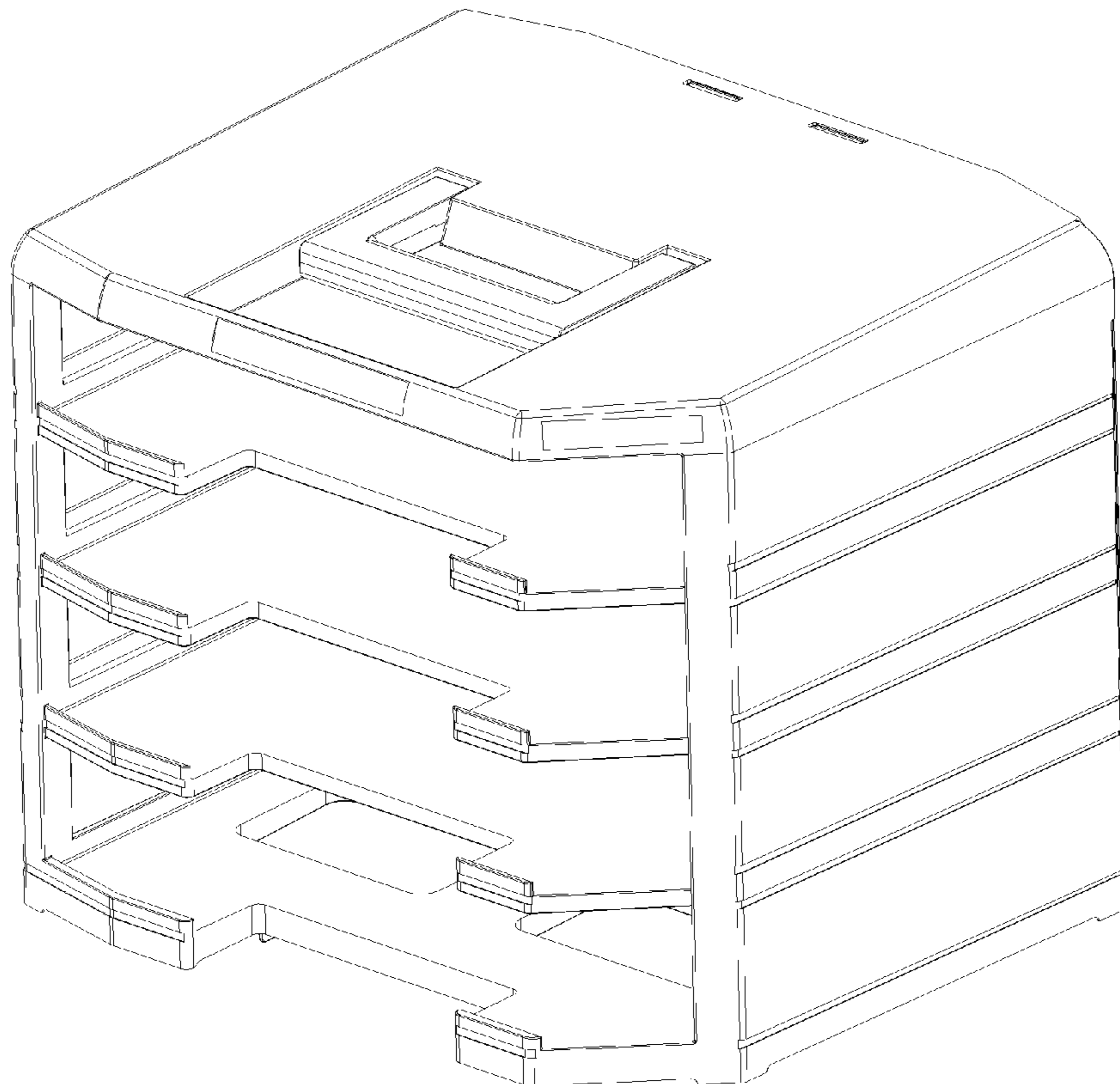
The ornamental design for a holder for storage boxes, as shown and described.

DESCRIPTION

FIG. 1 is a front, top and left side perspective view of a holder for storage boxes in accordance with the new design; FIG. 2 is a rear, bottom and left side perspective view thereof; FIG. 3 is a front elevation view thereof; FIG. 4 is a left side elevation view thereof; FIG. 5 is a right side elevation view thereof; FIG. 6 is a top plan view thereof; and, FIG. 7 is a top plan view thereof.

The broken lines are for the purpose of illustrating the environment of the design only and form no part of the claimed design.

1 Claim, 7 Drawing Sheets



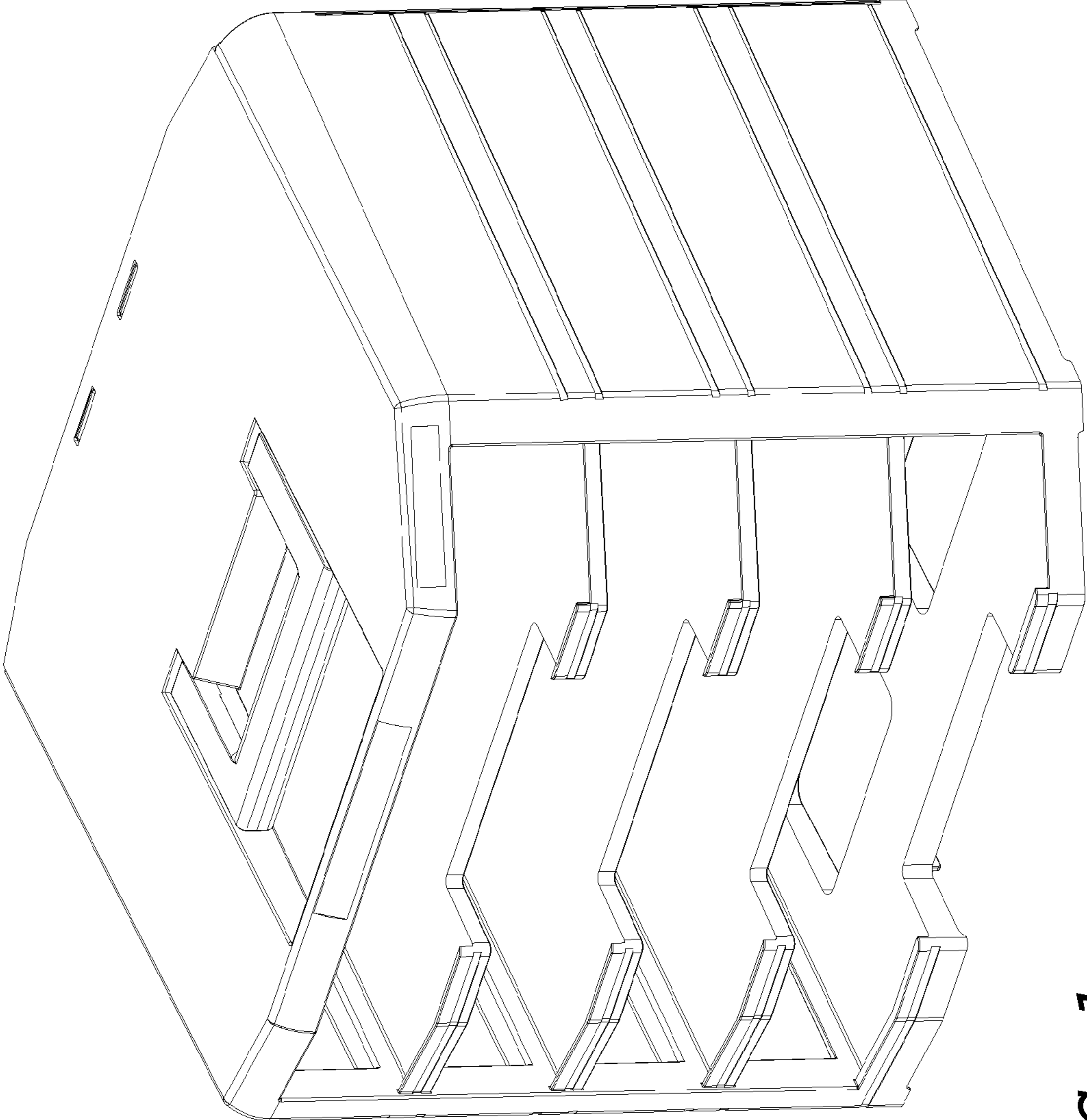


FIG. 1

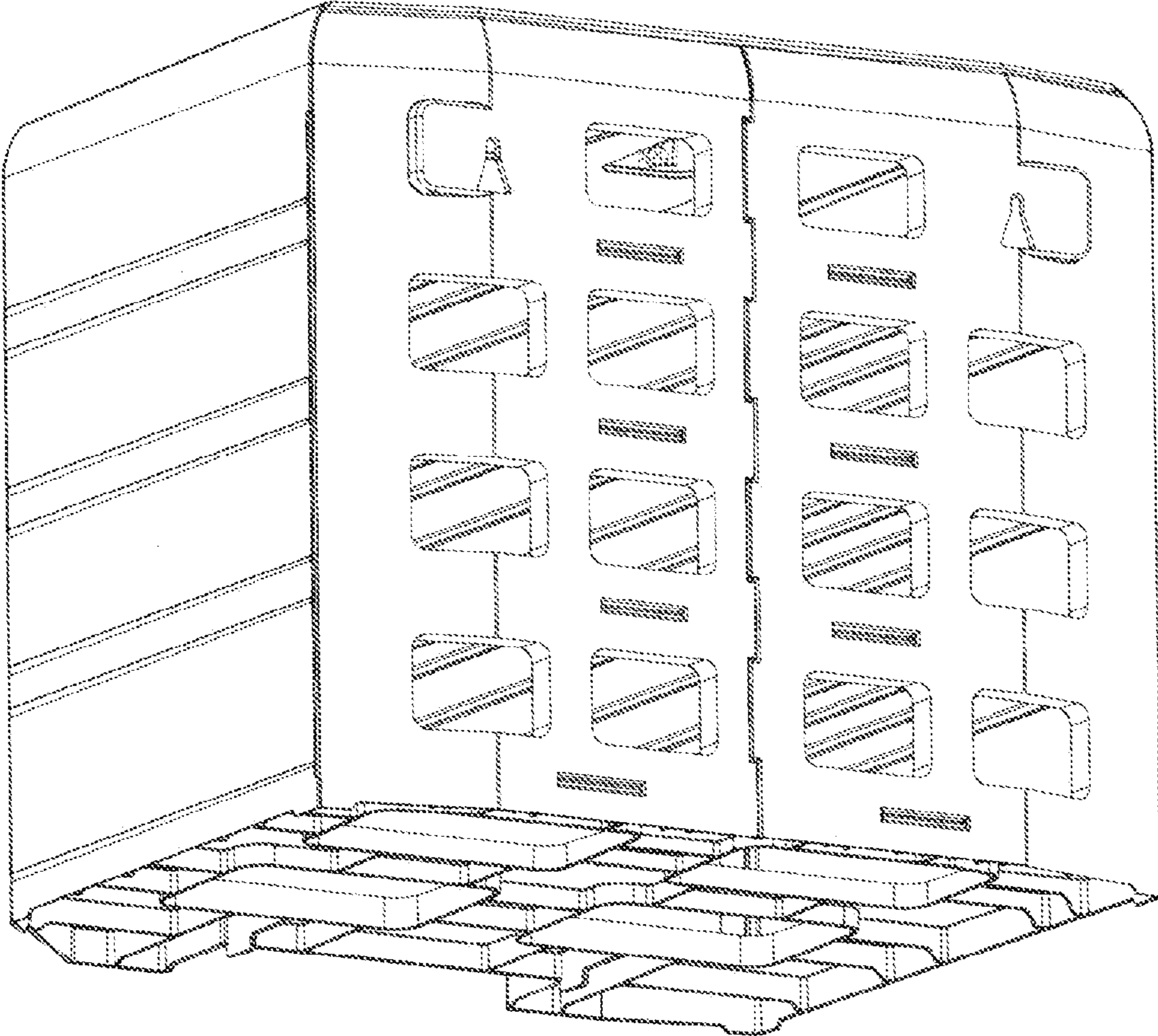


FIG. 2

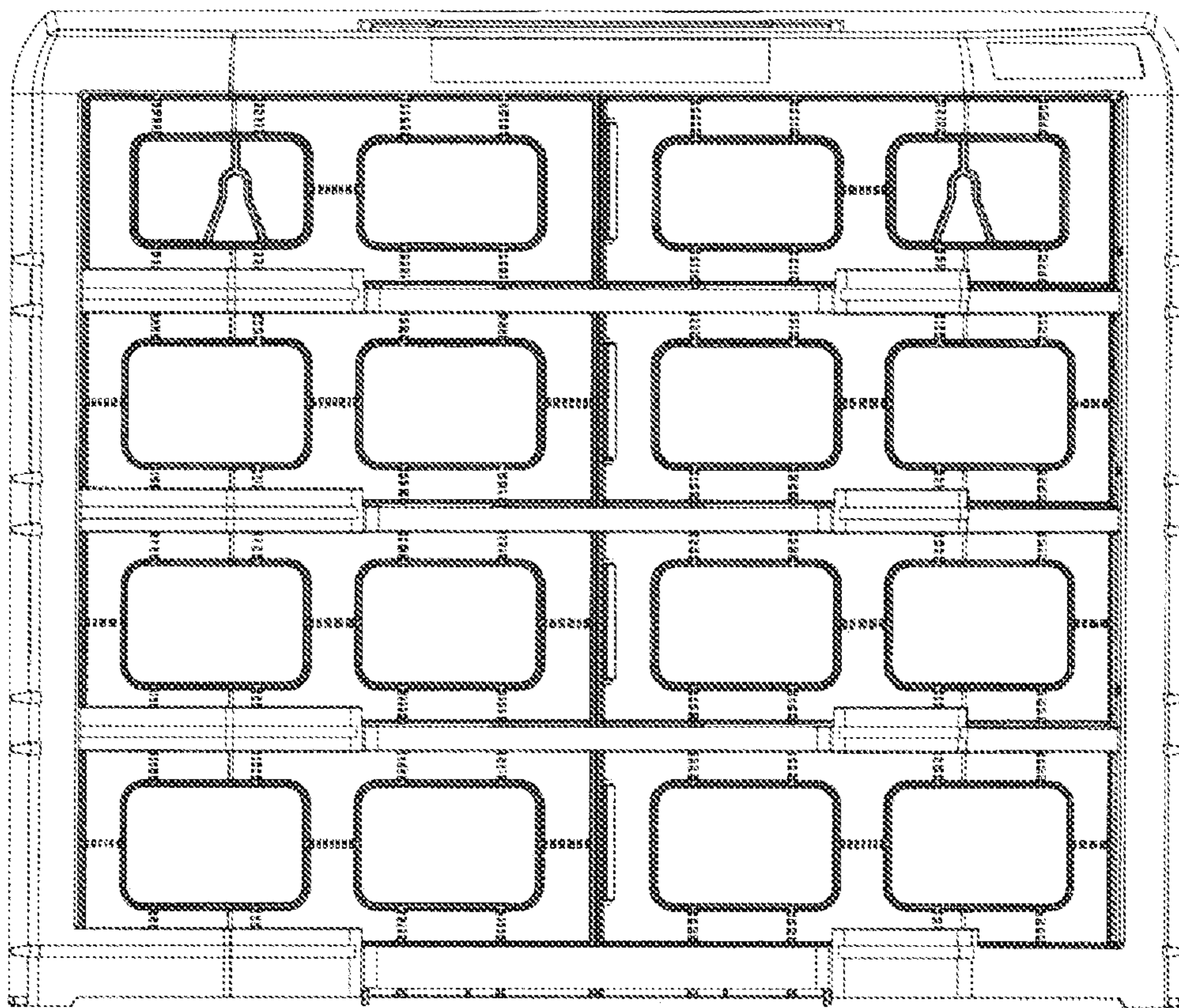


FIG. 3

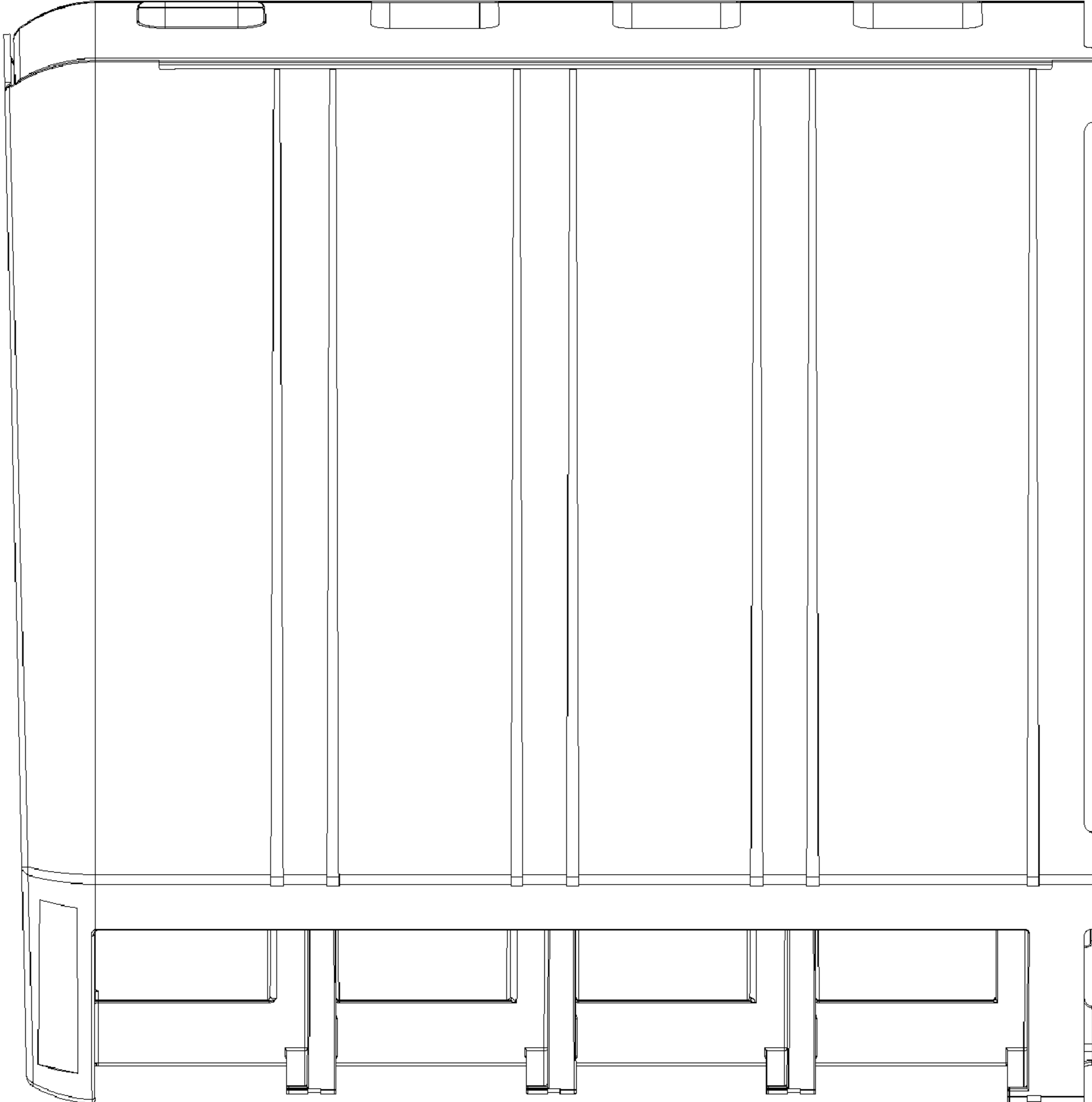


FIG. 4

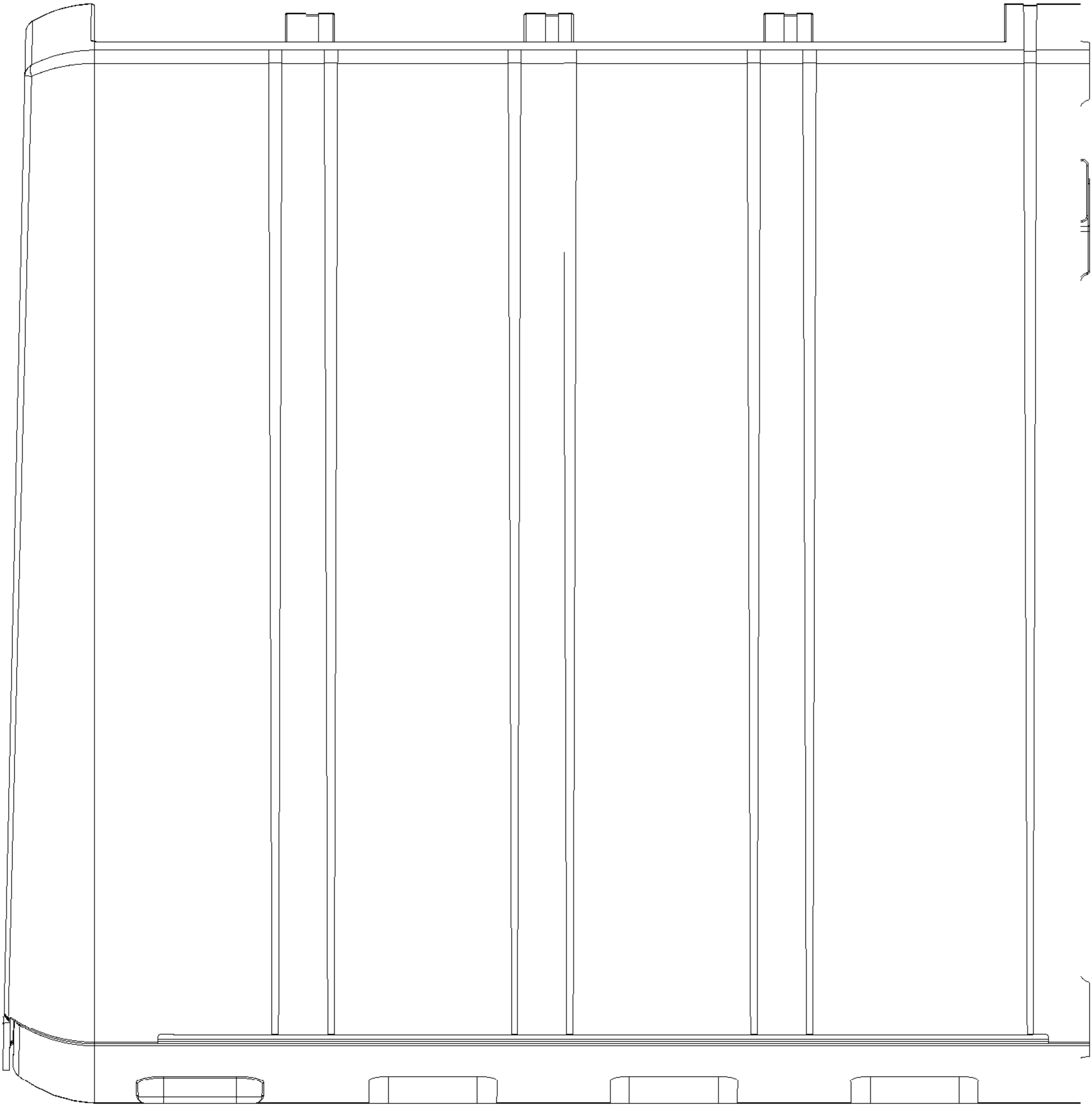


FIG. 5

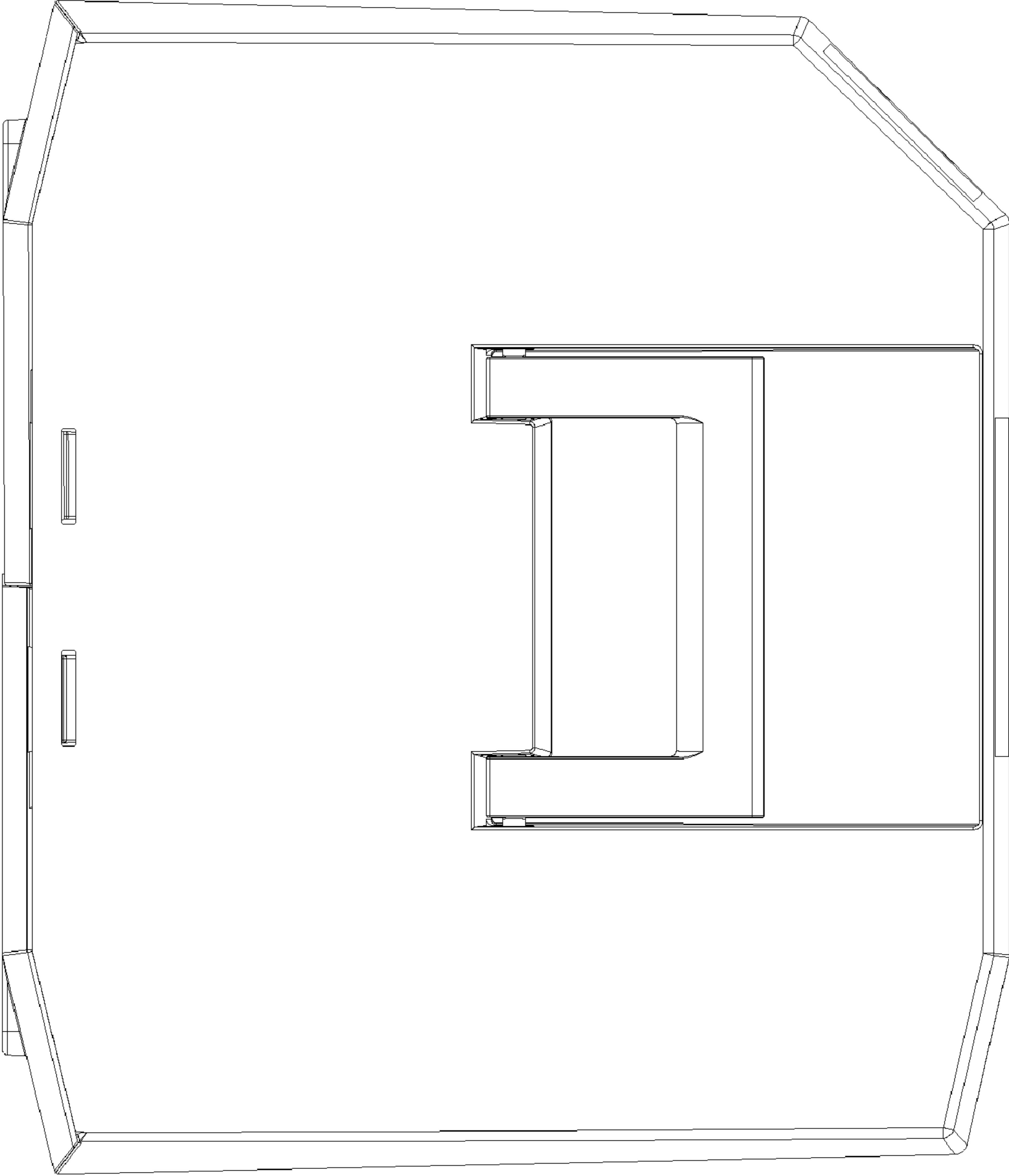


FIG. 6

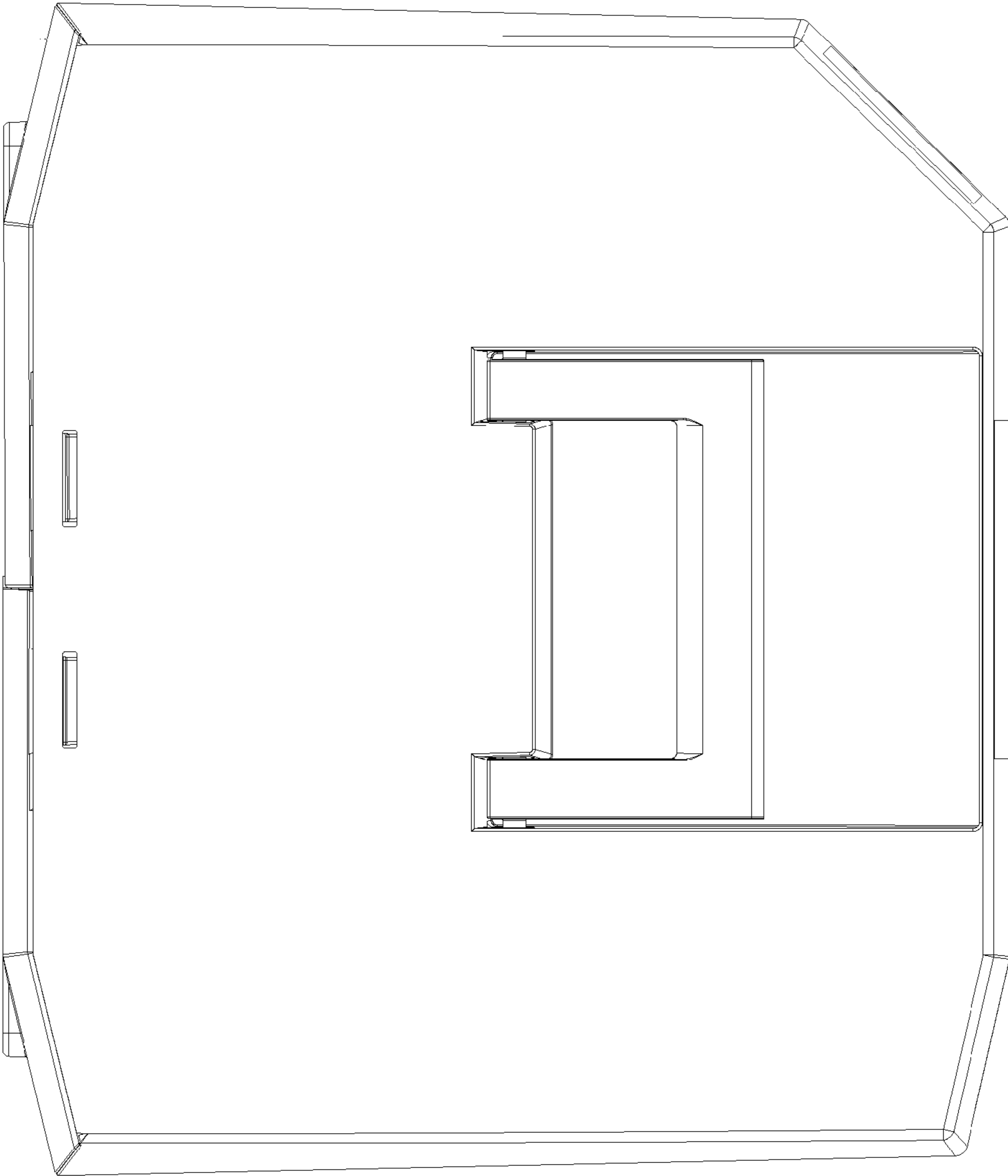


FIG. 7

UNITED STATES PATENT AND TRADEMARK OFFICE
CERTIFICATE OF CORRECTION

PATENT NO. : D633,733 S
APPLICATION NO. : 29/344548
DATED : March 8, 2011
INVENTOR(S) : Riedel et al.

Page 1 of 8

It is certified that error appears in the above-identified patent and that said Letters Patent is hereby corrected as shown below:

Delete the title page and substitute the attached title page therefor.

On the Title page of the patent, Item (73) Assignee, replace Raaco International A/S (DK) with --raaco International A/S (DK)--.

On the Title page of the patent, in the Description section, after FIG. 5 is a right side elevation view thereof; add --and--.

On the Title page of the patent, in the Description section, replace FIG. 6 is a top plan view thereof; and FIG. 7 is a top plan view thereof. with --FIG. 6 is a top plan view thereof.--.

Delete all drawing sheets and substitute the attached drawing sheets (1-6) therefor.

In the Drawings, delete FIG. 7.

Signed and Sealed this
Twenty-third Day of July, 2013



Teresa Stanek Rea
Acting Director of the United States Patent and Trademark Office

(12) **United States Design Patent**
Riedel et al.

(10) **Patent No.:** **US D633,733 S**
(45) **Date of Patent:** **** Mar. 8, 2011**

(54) **HOLDER FOR STORAGE BOXES**
(75) **Inventors:** **Robert Byriel Riedel, Horsens (DK);**
Soren X. Frahm, Horsens (DK)

D320,297 S * 9/1991 Hadashi D3/314
D349,817 S * 8/1994 Scott et al. D6/336
D358,523 S * 5/1995 Weisburn et al. D6/629
5,921,647 A * 7/1999 Schneider et al. 312/265.3
D515,847 S * 2/2006 Moon et al. D6/477

(73) **Assignee:** **Raaco International A/S (DK)**
(**) **Term:** **14 Years**

* cited by examiner
Primary Examiner — Elizabeth A Albert
Assistant Examiner — Kelley A Donnelly
(74) *Attorney, Agent, or Firm* — St. Onge Steward Johnston
& Reens, LLC

(21) **Appl. No.:** **29/344,548**
(22) **Filed:** **Sep. 30, 2009**

(57) **CLAIM**
The ornamental design for a holder for storage boxes, as shown and described.

(30) **Foreign Application Priority Data**
Apr. 1, 2009 (EM) 001116073
(51) **LOC (9) Cl.** **06-06**
(52) **U.S. Cl.** **D6/477**
(58) **Field of Classification Search** D6/441,
D6/446-449, 477, 478, 479; 312/117, 126;
211/126.15, 134, 153, 126.1, 128.1
See application file for complete search history.

DESCRIPTION

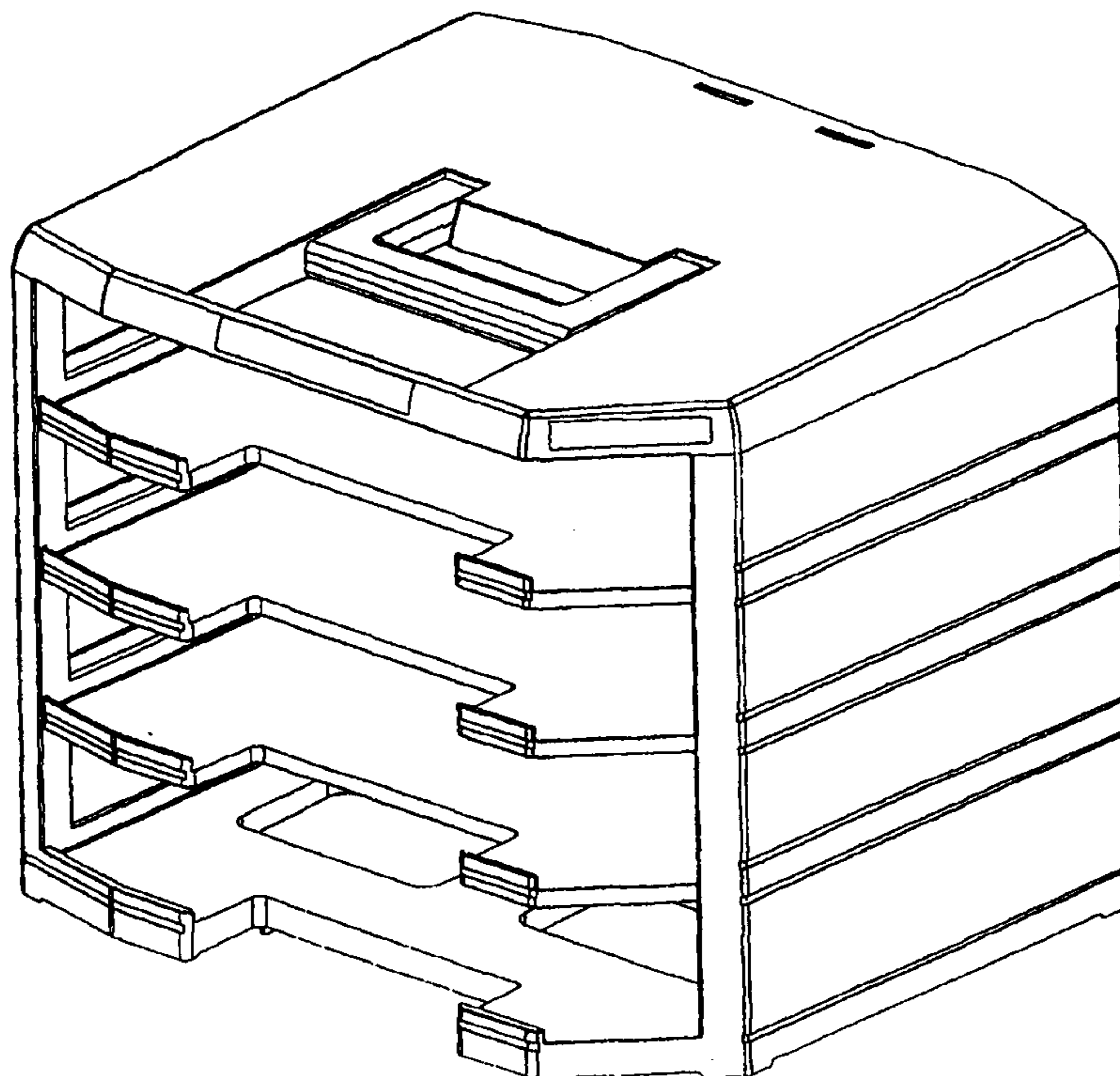
FIG. 1 is a front, top and left side perspective view of a holder for storage boxes in accordance with the new design;
FIG. 2 is a rear, bottom and left side perspective view thereof;
FIG. 3 is a front elevation view thereof;
FIG. 4 is a left side elevation view thereof;
FIG. 5 is a right side elevation view thereof; and,
FIG. 6 is a top plan view thereof.

(56) **References Cited**

1 Claim, 6 Drawing Sheets

U.S. PATENT DOCUMENTS

4,080,907 A * 3/1978 Kaufman 108/59
4,469,231 A * 9/1984 Hehn 211/11
4,552,271 A * 11/1985 Kranz 211/126.16
D293,866 S * 1/1988 Marsh D6/570



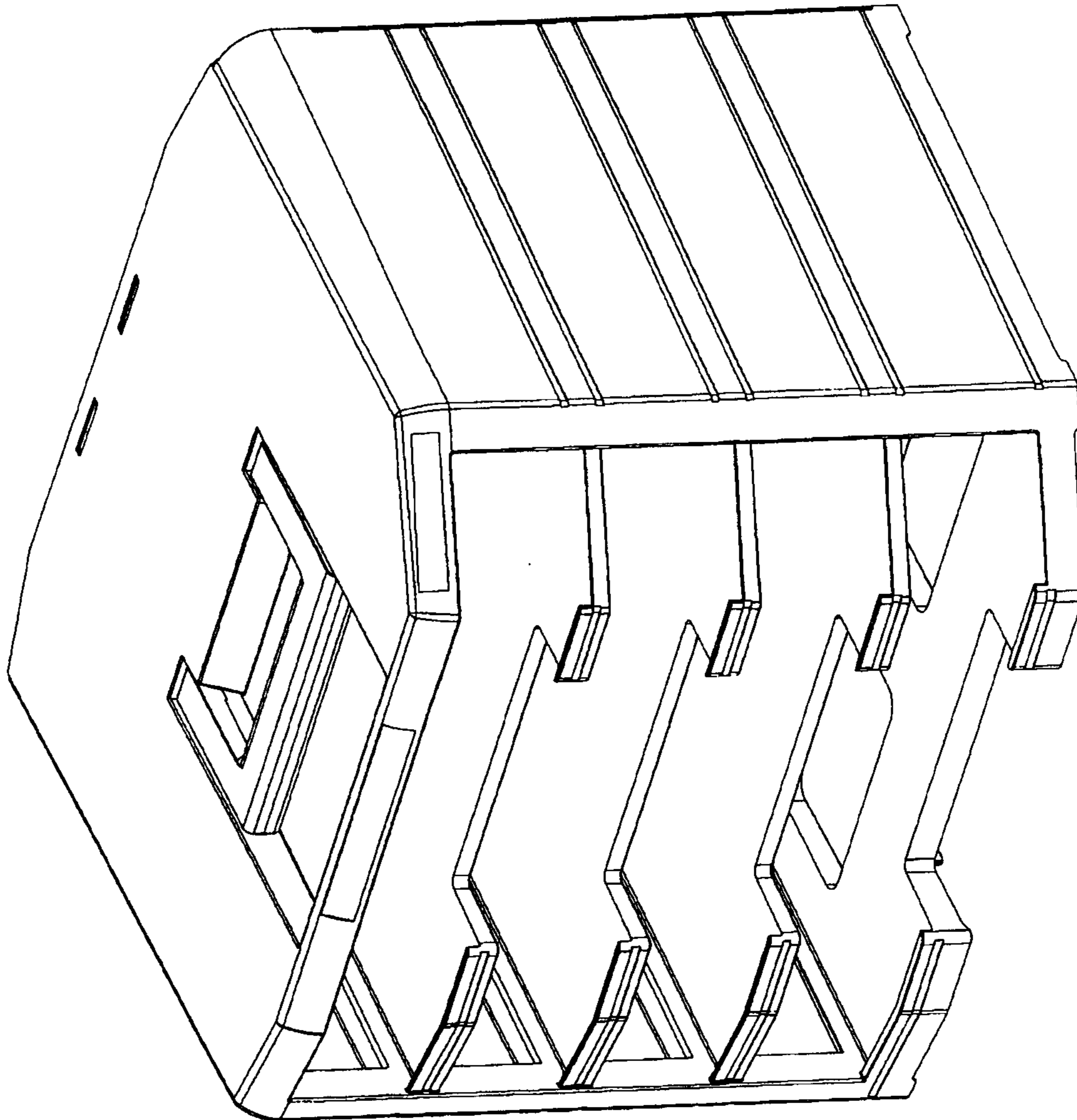


FIG. 1

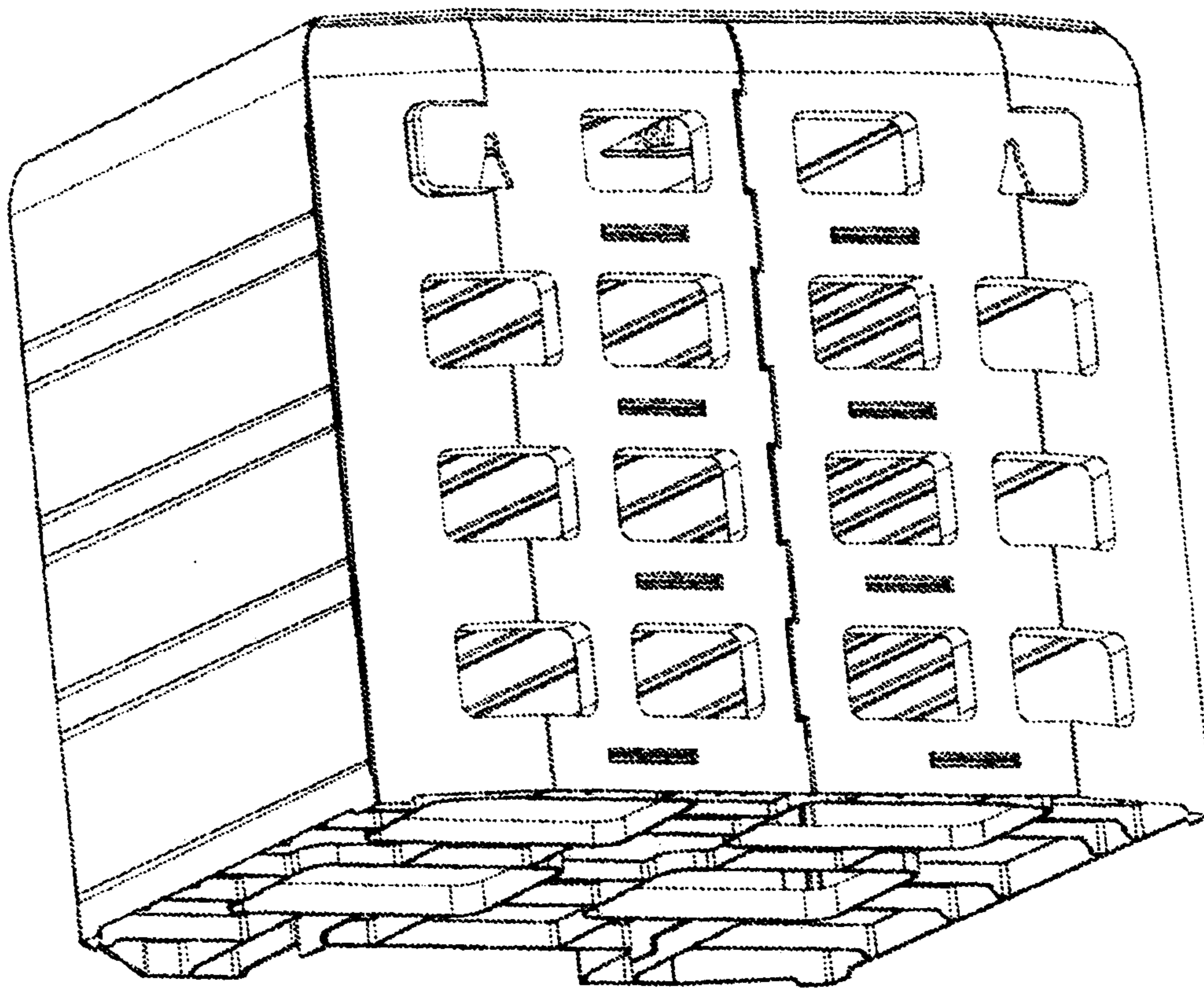


FIG. 2

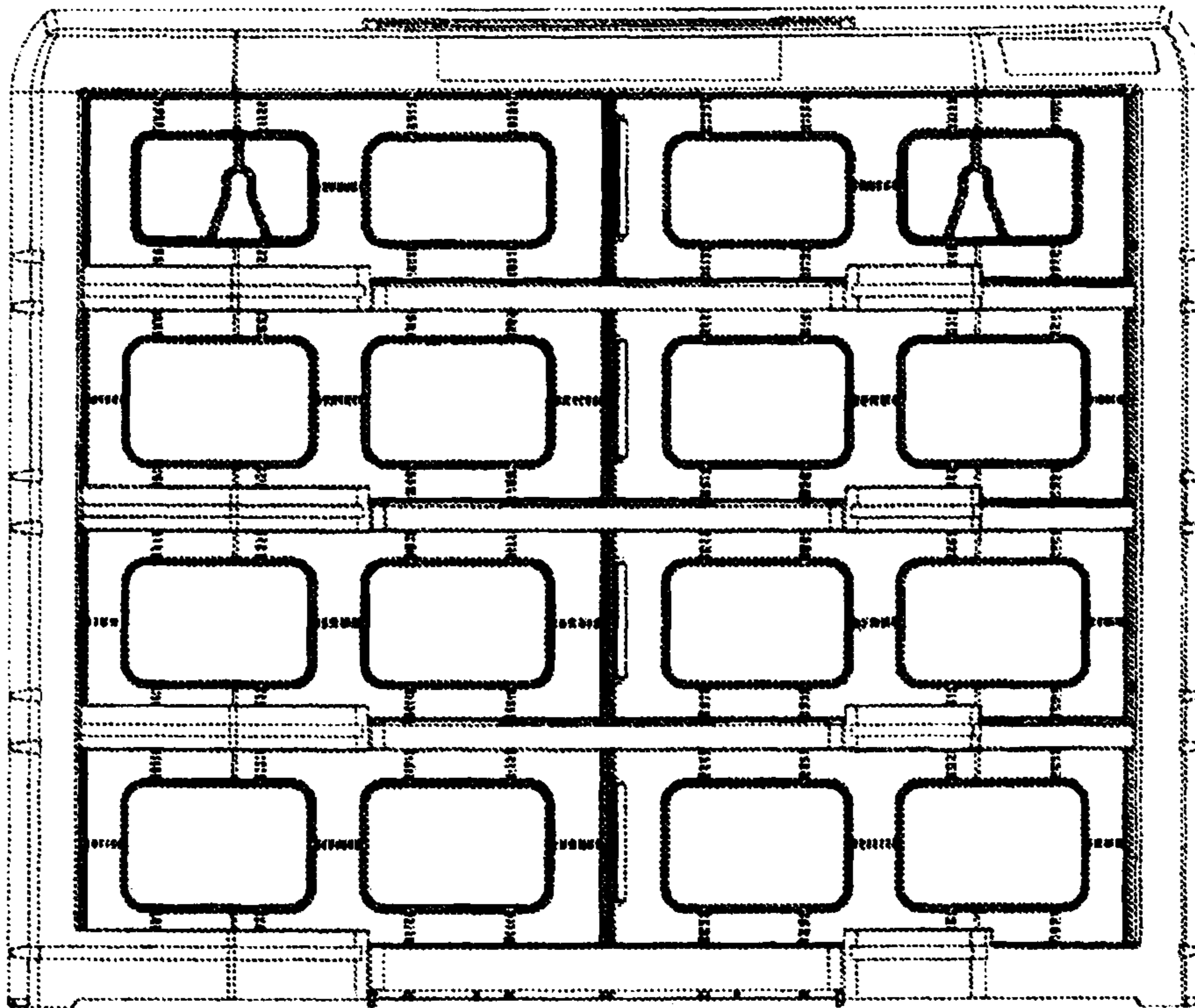


FIG. 3

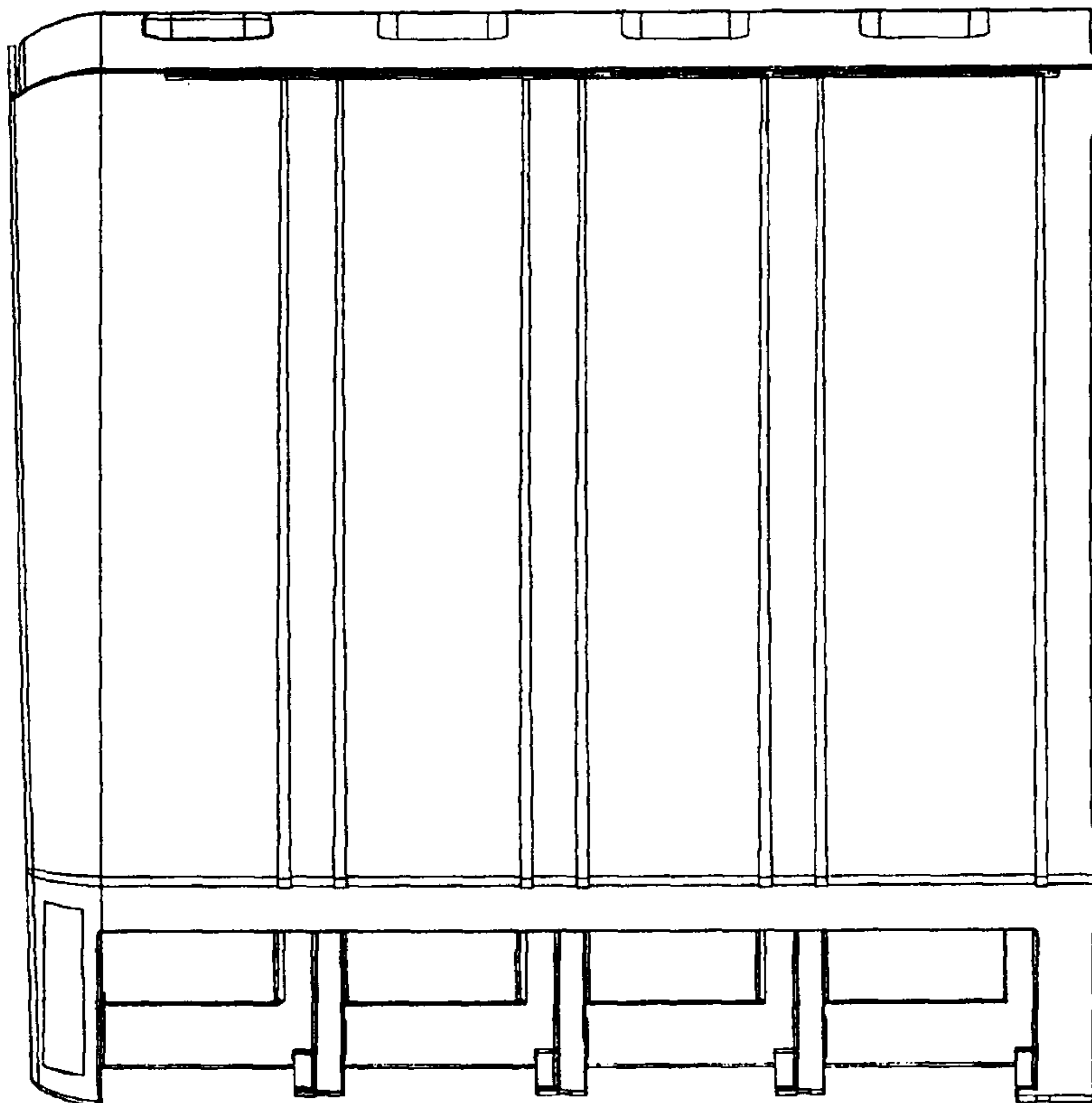


FIG. 4

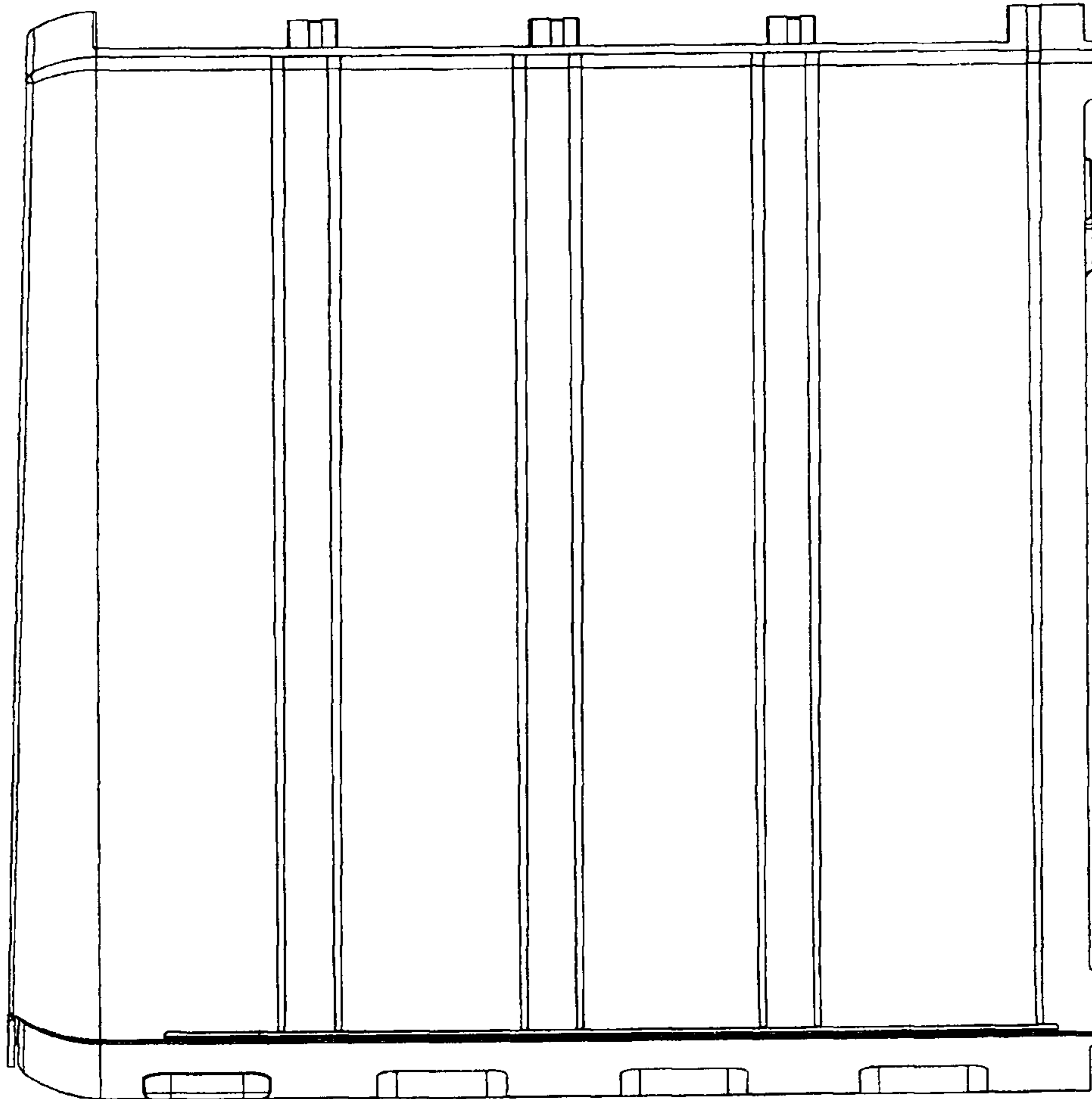


FIG. 5

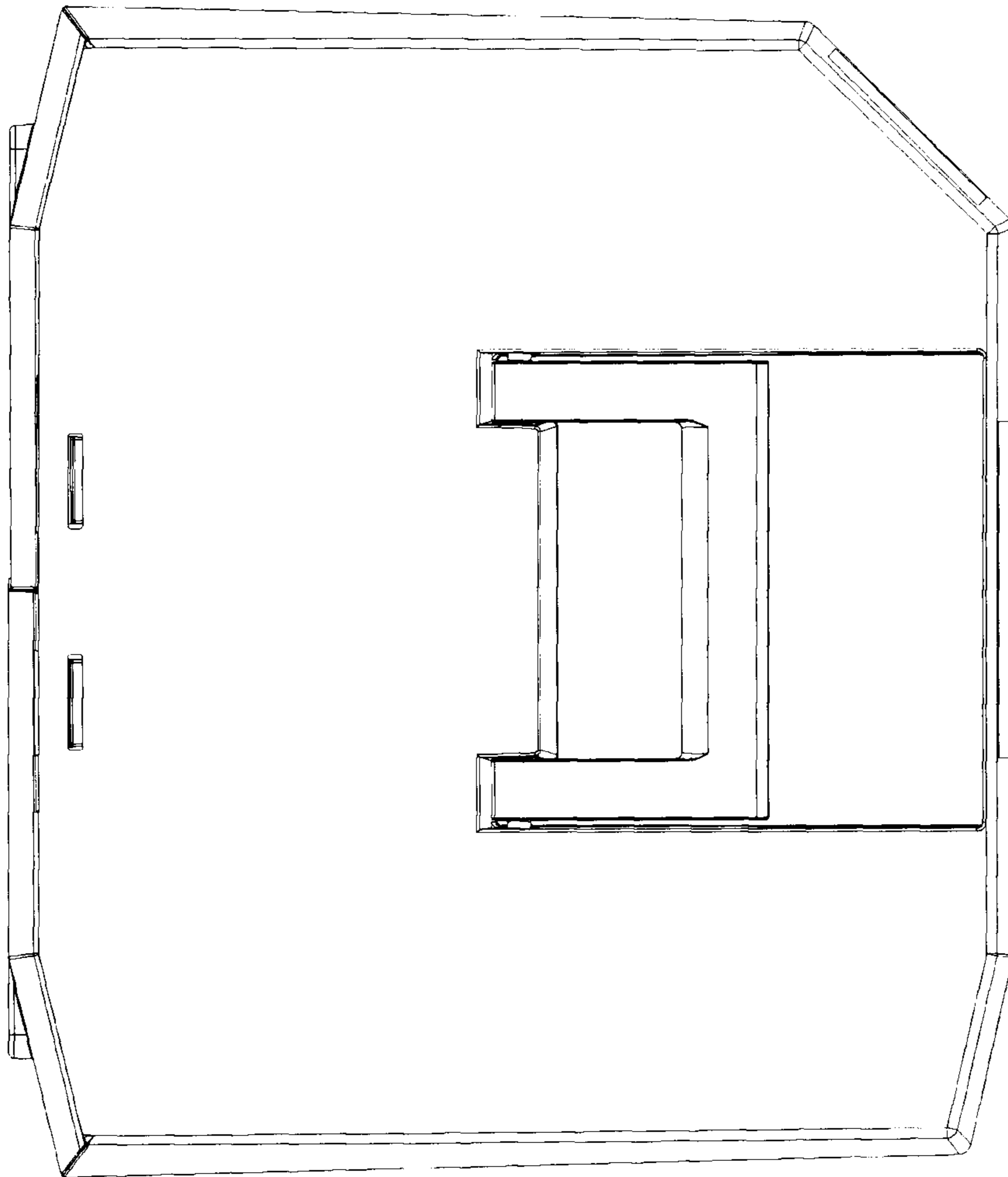


FIG. 6