



US00D633732S

(12) **United States Design Patent**  
**Walker**

(10) **Patent No.:** **US D633,732 S**  
(45) **Date of Patent:** **\*\* Mar. 8, 2011**

(54) **PORTABLE ENTERTAINMENT UNIT**

D456,169 S \* 4/2002 Ko ..... D6/425  
D499,576 S \* 12/2004 Long ..... D6/425  
D597,266 S \* 7/2009 Simpson et al. .... D30/199

(76) Inventor: **Timothy L. Walker**, Irving, TX (US)

(\*\*) Term: **14 Years**

\* cited by examiner

(21) Appl. No.: **29/342,985**

*Primary Examiner*—Elizabeth A Albert  
*Assistant Examiner*—Kelley A Donnelly

(22) Filed: **Sep. 3, 2009**

(74) *Attorney, Agent, or Firm*—Winstead PC

**Related U.S. Application Data**

(57) **CLAIM**

(63) Continuation of application No. PCT/US09/35223,  
filed on Feb. 26, 2009.

The ornamental design for portable entertainment unit, as  
shown and described.

(51) **LOC (9) Cl.** ..... **06-04**

**DESCRIPTION**

(52) **U.S. Cl.** ..... **D6/474**

(58) **Field of Classification Search** ..... D6/474,  
D6/478, 509–511, 422, 425–431, 484; 108/59–60,  
108/86, 91–93, 102, 106, 143, 145, 147,  
108/177; 312/223.3

FIG. 1 is a perspective view from above of a portable enter-  
tainment unit in accordance with my design;

FIG. 2 is a front view of the portable entertainment unit in  
accordance with my design;

See application file for complete search history.

FIG. 3 is a rear view of the portable entertainment unit in  
accordance with my design;

(56) **References Cited**

FIG. 4 is a side view of the portable entertainment unit in  
accordance with my design; and,

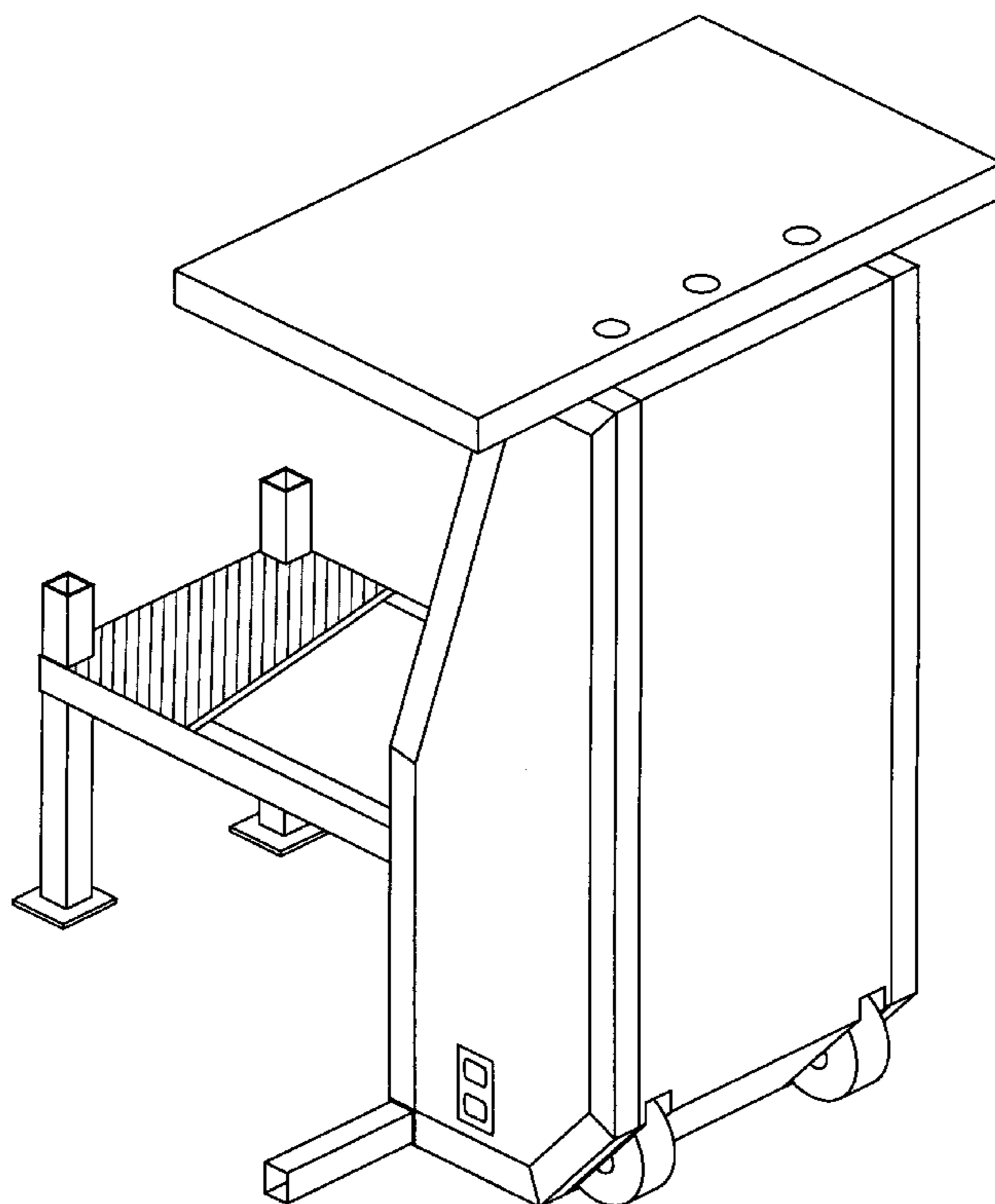
**U.S. PATENT DOCUMENTS**

- D270,788 S \* 10/1983 Umanoff et al. .... D6/431
- D288,750 S \* 3/1987 Friedman ..... D6/429
- D324,143 S \* 2/1992 Hammond ..... D6/474
- D330,297 S \* 10/1992 Keong ..... D6/426
- D379,886 S \* 6/1997 Towfigh ..... D6/479
- D394,965 S \* 6/1998 Fang ..... D6/474
- D426,979 S \* 6/2000 Hawang ..... D6/426
- D446,045 S \* 8/2001 Hunt et al. .... D6/426

FIG. 5 is a bottom view of the portable entertainment unit in  
accordance with my design.

The broken lines are for the purpose of illustrating the envi-  
ronment of the article only and form no part of the claimed  
design.

**1 Claim, 5 Drawing Sheets**



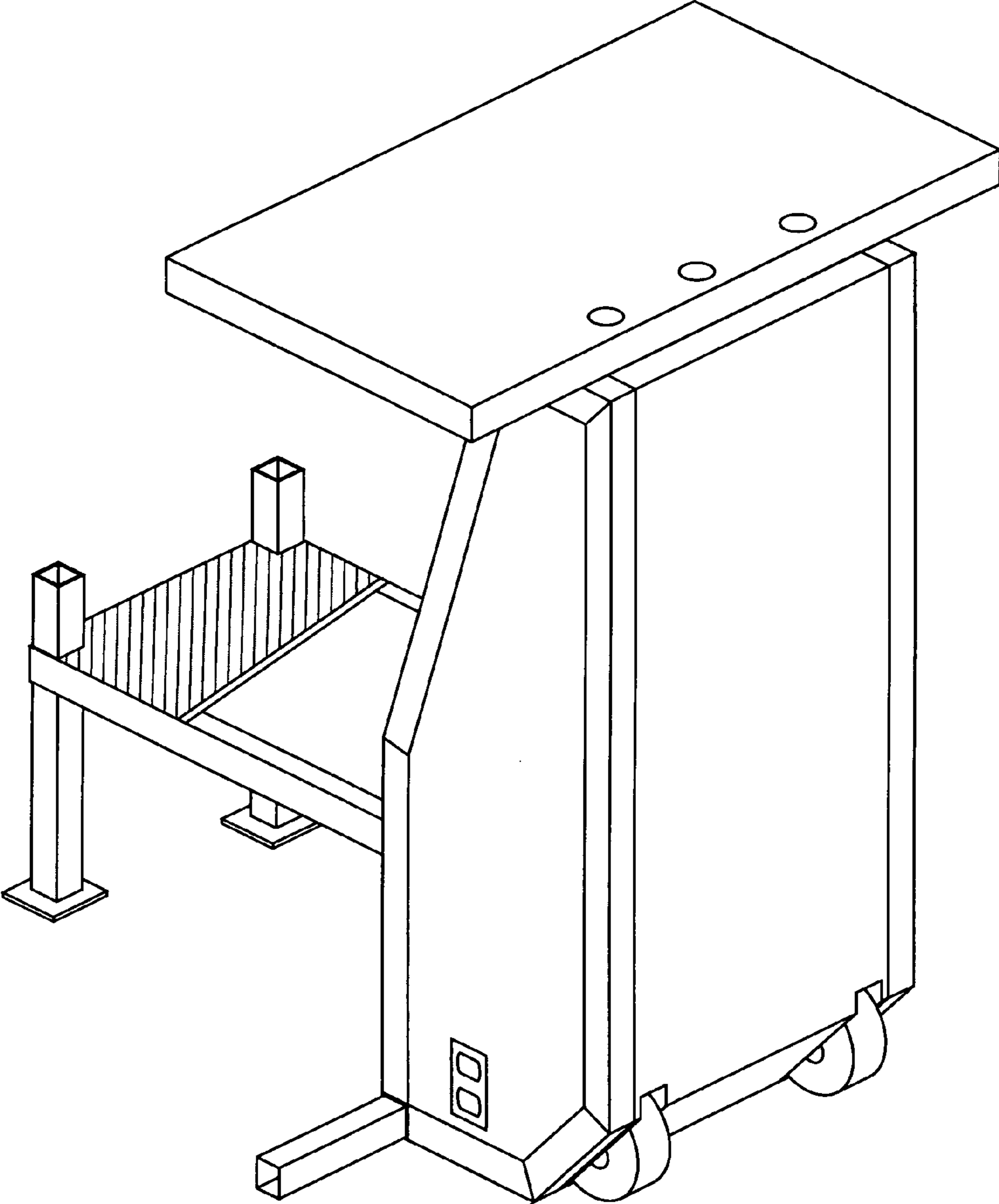


FIG. 1

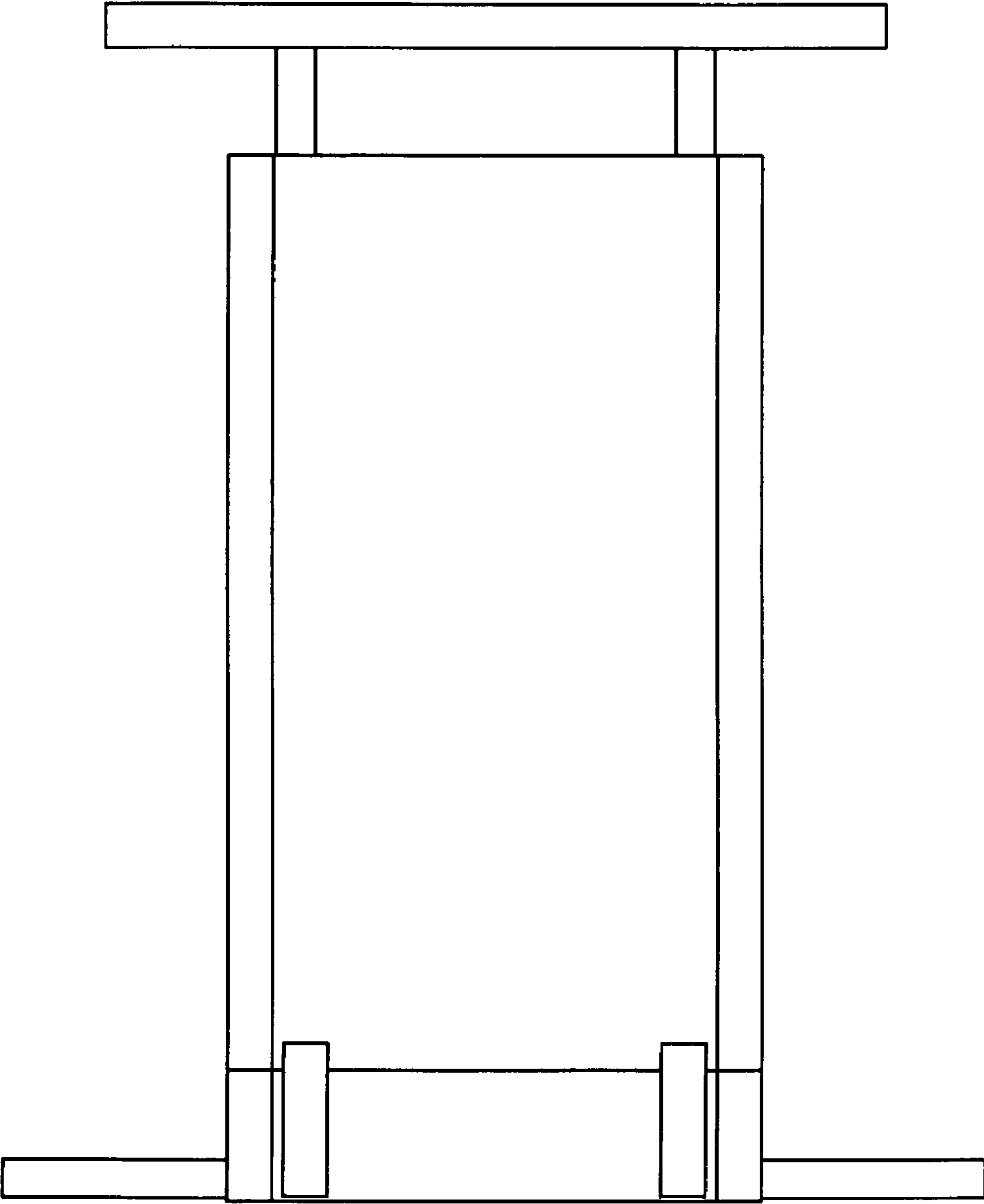


FIG. 2

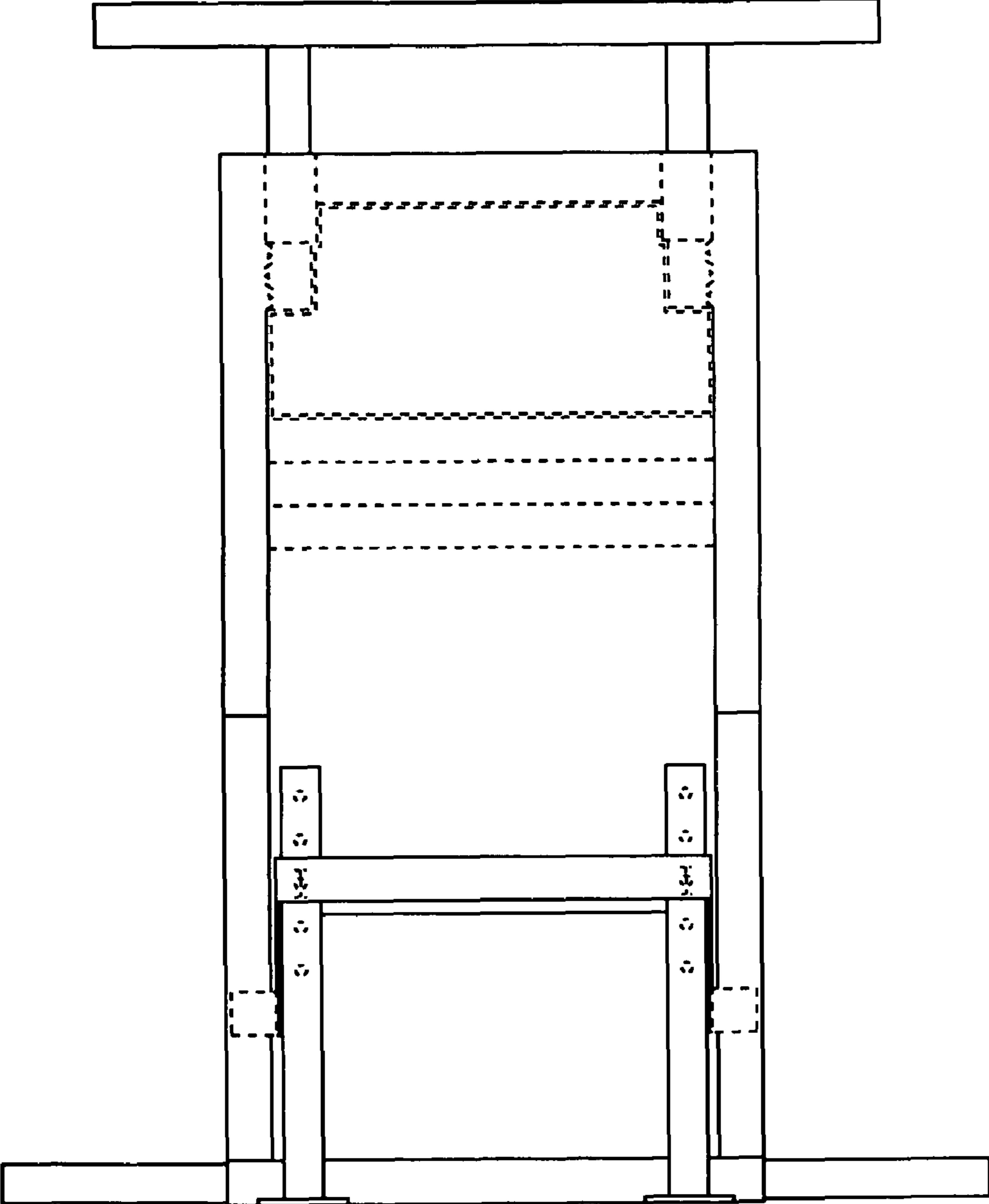


FIG. 3

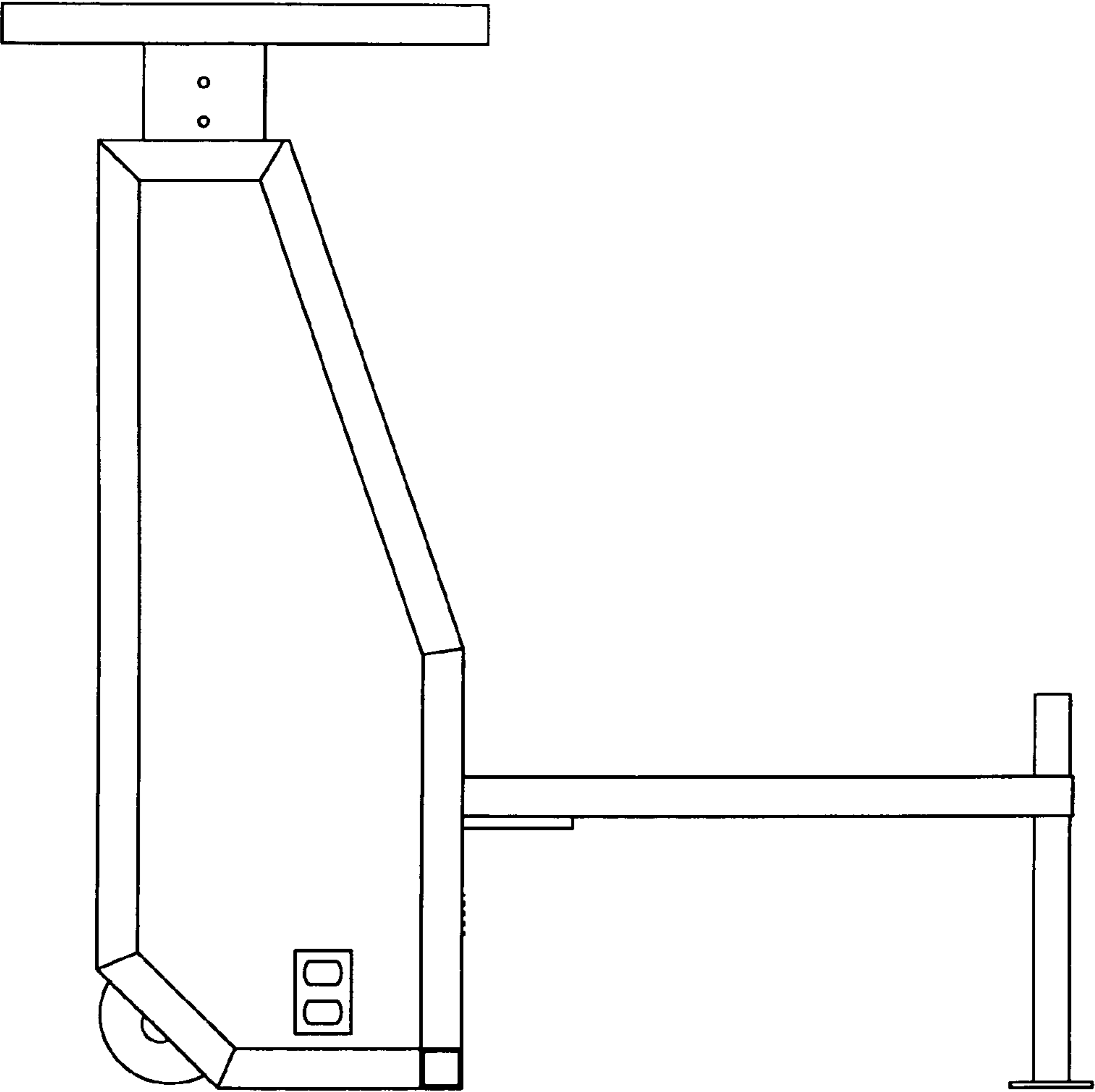


FIG. 4

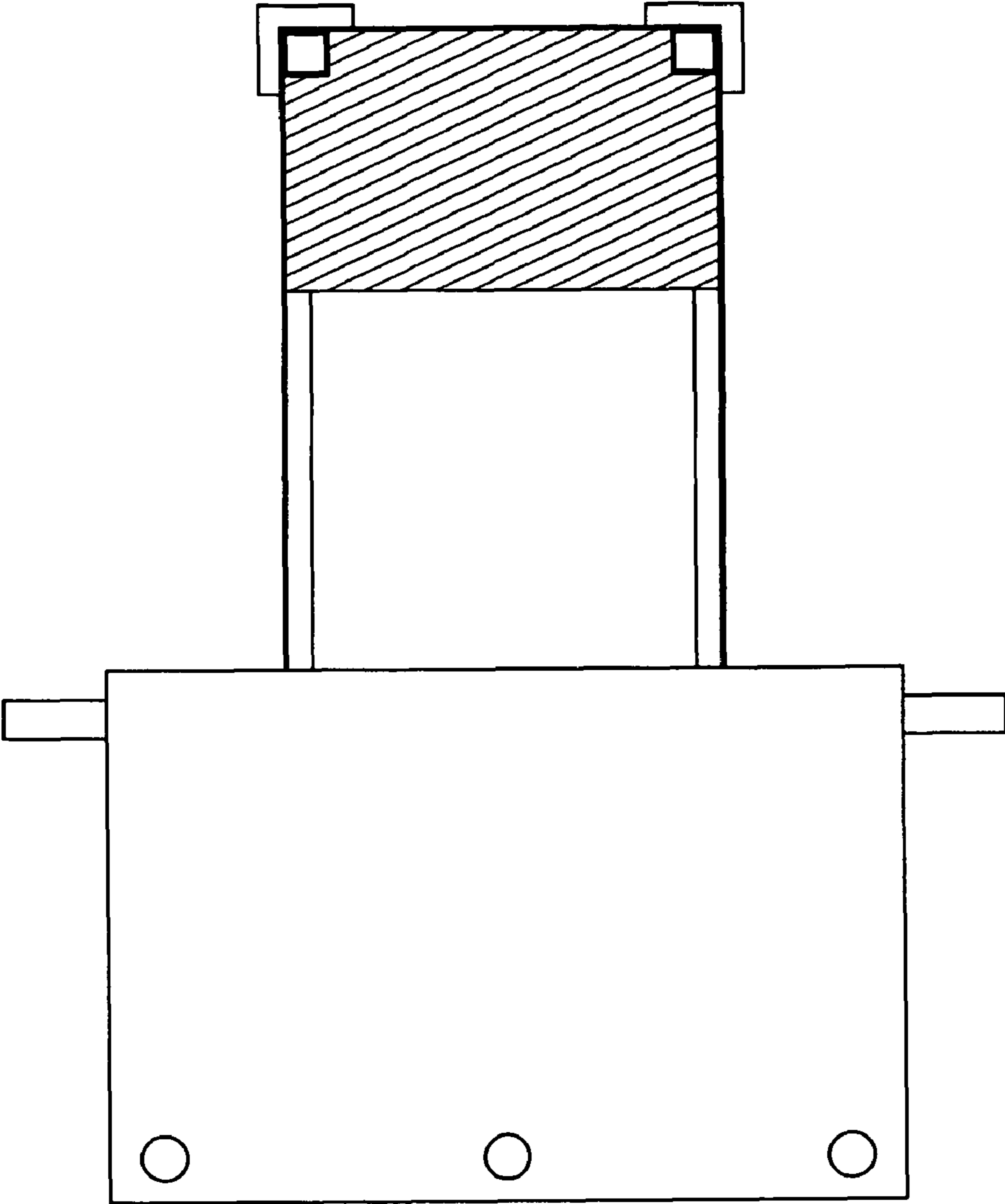


FIG. 5