



US00D633731S

(12) **United States Design Patent**
Pohl

(10) **Patent No.:** **US D633,731 S**
(45) **Date of Patent:** **** Mar. 8, 2011**

- (54) **DISPLAY STAND**
 - (75) Inventor: **Axel Pohl**, Berlin (DE)
 - (73) Assignee: **Hartley & Marks Publishers, Inc.**,
Vancouver British Columbia (CA)
 - (**) Term: **14 Years**
 - (21) Appl. No.: **29/365,557**
 - (22) Filed: **Jul. 9, 2010**
 - (51) **LOC (9) Cl.** **06-04**
 - (52) **U.S. Cl.** **D6/468**
 - (58) **Field of Classification Search** D6/396,
D6/407, 449, 450, 454-463, 470, 471, 473,
D6/474, 566; 108/28, 31, 32; 211/1, 13.1,
211/41.1, 50, 86.01, 134, 153, 195; 248/441.1,
248/459
- See application file for complete search history.

2,533,590 A	12/1950	Kutik	
D165,194 S *	11/1951	Schiffer	D6/473
2,789,700 A *	4/1957	King et al.	108/32
D182,059 S	2/1958	Chase	
2,984,227 A	12/1960	Goldsholl	
3,010,571 A	11/1961	Transport	
3,380,644 A	4/1968	D'Alesio	
3,537,728 A	11/1970	Reese	
3,717,366 A	2/1973	Decker	
3,964,769 A	6/1976	Shatzkin	
3,973,787 A	8/1976	Shaats et al.	
4,019,758 A	4/1977	Heller et al.	
D250,171 S	11/1978	Yoshimoto	
4,289,330 A	9/1981	Wiermanski	
4,296,945 A	10/1981	Pavlik	
4,484,768 A	11/1984	Norfleet	
4,606,689 A	8/1986	Wiholm	
4,637,631 A	1/1987	Baer	

(Continued)

OTHER PUBLICATIONS

U.S. Appl. No. 29/253,057, filed Jan. 31, 2006, Bharna, Supritl.

(Continued)

(56) **References Cited**

U.S. PATENT DOCUMENTS

201,450 A	3/1878	Reynolds
D11,686 S	3/1880	Bainbaridge
273,886 A	3/1883	Pester
467,821 A	1/1892	Mets
560,034 A	5/1896	Honey
673,387 A	5/1901	Dean
941,525 A	11/1909	Landenberger
1,023,834 A	4/1912	Garels
1,322,796 A	11/1919	Kissel
1,592,505 A	7/1926	Richie
1,819,937 A	8/1931	Williams
1,839,758 A	1/1932	Hasek
1,979,475 A	11/1934	Knettles
D118,491 S	1/1940	Bach
2,287,149 A	6/1942	Tauber
D135,980 S	7/1943	Bach
D135,981 S	7/1943	Bach
2,354,782 A	8/1944	Stradling at al.
D187,321 S	2/1950	Mayer
2,529,000 A	11/1950	Cameron

Primary Examiner — Mary Ann Calabrese

(74) *Attorney, Agent, or Firm* — Wells St. John PS.

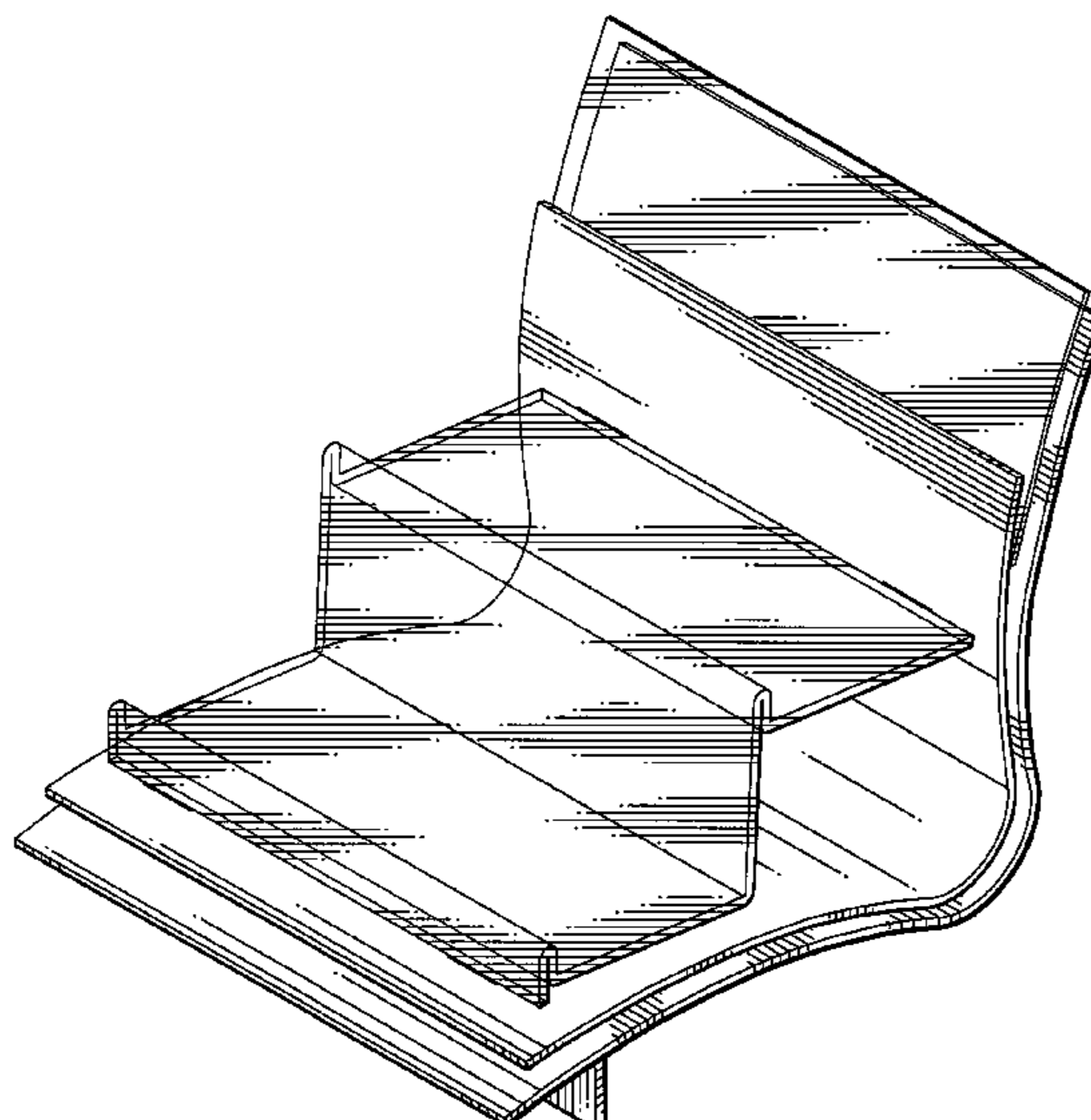
(57) **CLAIM**

I claim the ornamental design for a display stand, as shown and described.

DESCRIPTION

FIG. 1 is a perspective view for a display stand;
 FIG. 2 is a side elevational view thereof;
 FIG. 3 is a side elevational view, opposite the FIG. 2 side view, thereof;
 FIG. 4 is a front elevational view thereof;
 FIG. 5 is a rear elevational view thereof;
 FIG. 6 is a top plan view thereof; and,
 FIG. 7 is a bottom plan view thereof.

1 Claim, 7 Drawing Sheets



US D633,731 S

Page 2

U.S. PATENT DOCUMENTS

4,650,216	A	3/1987	Carlson	
4,730,972	A	3/1988	Sun et al.	
4,749,121	A	6/1988	Barber et al.	
D300,688	S	4/1989	Marks	
D302,698	S	8/1989	Rexroat et al.	
D304,343	S	10/1989	Popat et al.	
D308,225	S	5/1990	Dressler	
4,932,520	A	6/1990	Ciarcia et al.	
D309,325	S	7/1990	Halls	
4,940,352	A	7/1990	Kratzert et al.	
D316,108	S	4/1991	Gerriet	
D323,937	S	2/1992	Solomon	
5,106,047	A *	4/1992	Baer	248/459
D330,115	S	10/1992	O'Brien	
5,213,368	A	5/1993	Wyant	
D340,355	S	10/1993	Little	
5,308,208	A	5/1994	Ranson	
5,358,208	A *	10/1994	Moseley et al.	248/441.1
D356,454	S *	3/1995	Harris	D6/407
D358,839	S	5/1995	Lipic	
5,411,145	A *	5/1995	Parks	211/50
5,413,430	A	5/1995	Schrem et al.	
D369,182	S	4/1996	Walli, Jr.	
D369,239	S	4/1996	Deutch	
D370,691	S	6/1996	Benn	
5,529,418	A	6/1996	Alotta	
5,553,959	A	9/1996	Feldman et al.	
D378,531	S	3/1997	Szikszay	
5,630,509	A	5/1997	Su	
D379,896	S	6/1997	Friedman	
5,667,064	A	9/1997	Bauman	
D385,295	S	10/1997	Osiecki	
D388,822	S	1/1998	Frank	
5,716,181	A	2/1998	Ebel	
D394,385	S	5/1998	Laughlin	
5,810,182	A *	9/1998	Levin	211/195
5,934,487	A *	8/1999	Hoeg	211/50
5,944,353	A	8/1999	Sato	
D413,725	S	9/1999	Hartmann et al.	
6,017,062	A	1/2000	White	
D423,572	S	4/2000	Tedaldi et al.	
6,045,285	A	4/2000	Friedman	
D426,262	S	6/2000	Humphrey	
6,095,740	A	8/2000	Hollenstein et al.	
6,164,461	A *	12/2000	Ward et al.	211/41.1
D436,533	S	1/2001	Correll	
6,179,332	B1	1/2001	Funkhouser	
D437,612	S	2/2001	Verdicchio	
6,220,436	B1	4/2001	Chung	
6,250,867	B1	6/2001	Gwyn et al.	
D444,703	S	7/2001	Allasia	
D447,689	S	9/2001	Navet et al.	
D449,927	S	11/2001	Dorizas	
D454,305	S	3/2002	Bryan et al.	
D454,495	S	3/2002	Bryan et al.	
D455,781	S	4/2002	Jobelius et al.	
6,409,447	B2	6/2002	Malmros	
6,419,416	B1	7/2002	Tomoda	
D463,487	S	9/2002	Savoy	
D465,331	S	11/2002	Shapiero	

D467,079	S	12/2002	Willows et al.	
D467,966	S	12/2002	Lepisto	
D470,173	S	2/2003	Berger	
8,614,028		2/2003	Yeoman	
D473,462	S	4/2003	Green et al.	
D474,966	S	5/2003	Schrem et al.	
D476,032	S	6/2003	Marchand	
D477,634	S	7/2003	Malone	
D481,074	S	10/2003	Shapiro et al.	
6,681,929	B2	1/2004	Bergh et al.	
D489,255	S	5/2004	Kratzert et al.	
6,776,437	B1	8/2004	Ho	
D496,195	S *	9/2004	Campbell et al.	D6/471
D496,271	S	9/2004	Hoeltgen	
D499,761	S	12/2004	Walley et al.	
D502,502	S	3/2005	Brann	
D503,195	S	3/2005	De la Rosa Luna para	
D504,463	S	4/2005	Wehmeyer	
D513,038	S	12/2005	Ong	
6,974,158	B1	12/2005	Westcott, Jr.	
D513,584	S	1/2006	Solowiejko	
D513,869	S	1/2006	Hunter et al.	
D519,832	S	5/2006	Demathieu et al.	
D520,057	S	5/2006	Hamel	
D521,072	S	5/2006	Hough et al.	
D523,078	S	6/2006	Ong	
D524,574	S *	7/2006	Benson	D6/470
7,100,765	B2	9/2006	Collins, IV	
D529,963	S	10/2006	Hough et al.	
D534,584	S	1/2007	Goldberg et al.	
D536,376	S	2/2007	Wehmeyer	
D544,030	S	6/2007	LaDue	
D544,538	S	6/2007	Kesselring	
D545,362	S	6/2007	King et al.	
7,232,157	B2	6/2007	Amaral	
D546,878	S	7/2007	Bharma	
D547,372	S	7/2007	Bharma	
D547,373	S	7/2007	Serrato	
D548,961	S	8/2007	Dohner	
D549,283	S	8/2007	Bharma	
7,252,452	B2	8/2007	Africa et al.	
D550,770	S	9/2007	Bharma	
D557,739	S	12/2007	Bharma	
D667,740		12/2007	Bharma	
2003/0071454	A1	4/2003	Muchin et al.	
2004/0035720	A1	2/2004	Hsieh	
2004/0129198	A1	7/2004	Wu	
2004/0168938	A1	9/2004	Bergh et al.	
2004/0253046	A1	12/2004	Africa et al.	
2005/0012016	A1	1/2005	Teucher	
2005/0042021	A1	2/2005	McArthur	
2005/0269233	A1	12/2005	Alderidge	

OTHER PUBLICATIONS

U.S. Appl. No. 29/253,103, filed Jan. 31, 2006, Bharma, Supritl.
 U.S. Appl. No. 29/253,105, filed Jan. 31, 2006, Bharma, Supritl.
 U.S. Appl. No. 29/263,252, filed Jul. 18, 2006, Bharma, Supritl.
 U.S. Appl. No. 29/264,146, filed Aug. 2, 2006, Bharma, Supritl.
 U.S. Appl. No. 29/266,789, filed Sep. 27, 2006, Bharma, Supritl.

* cited by examiner

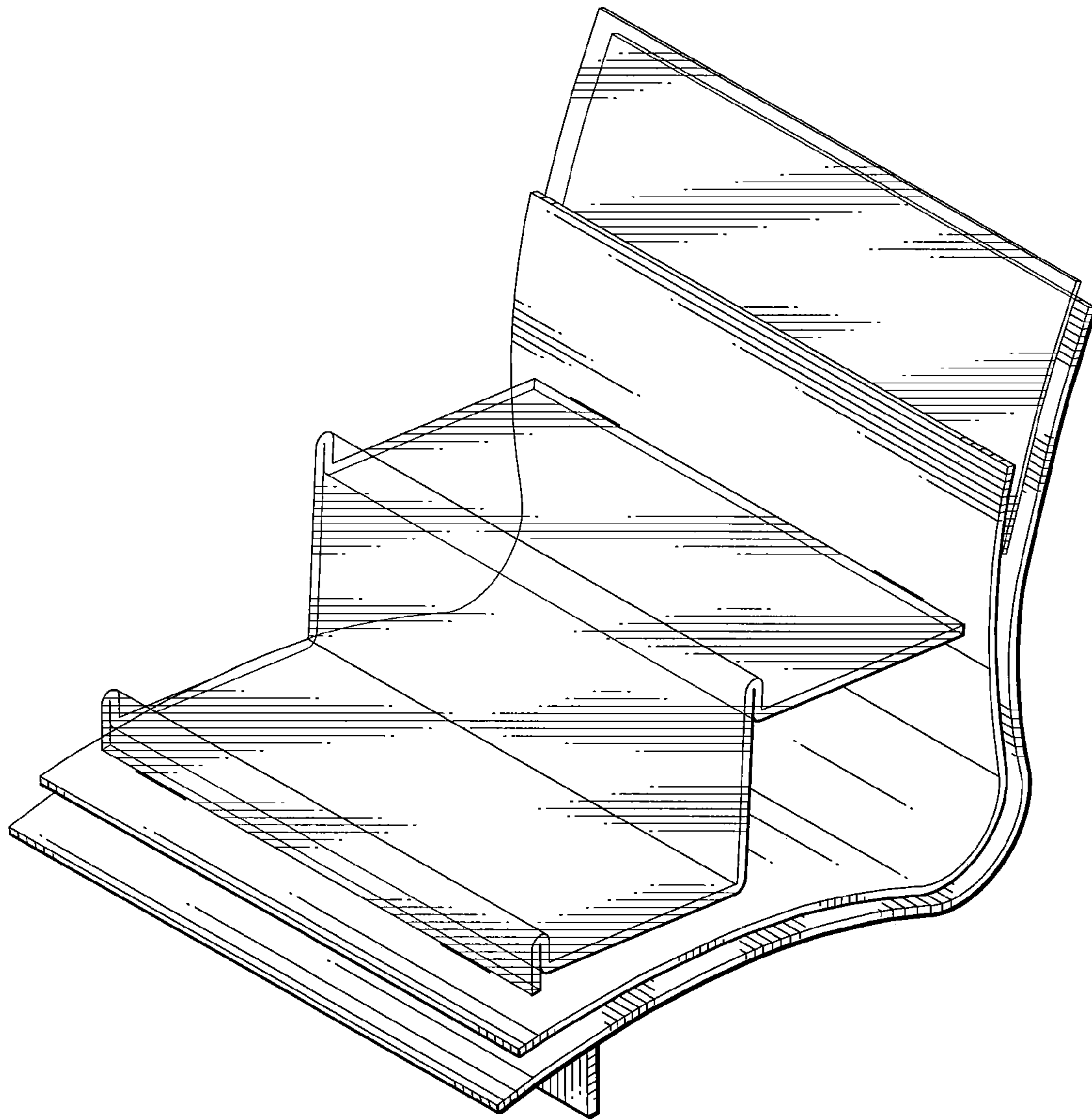


Fig. 1

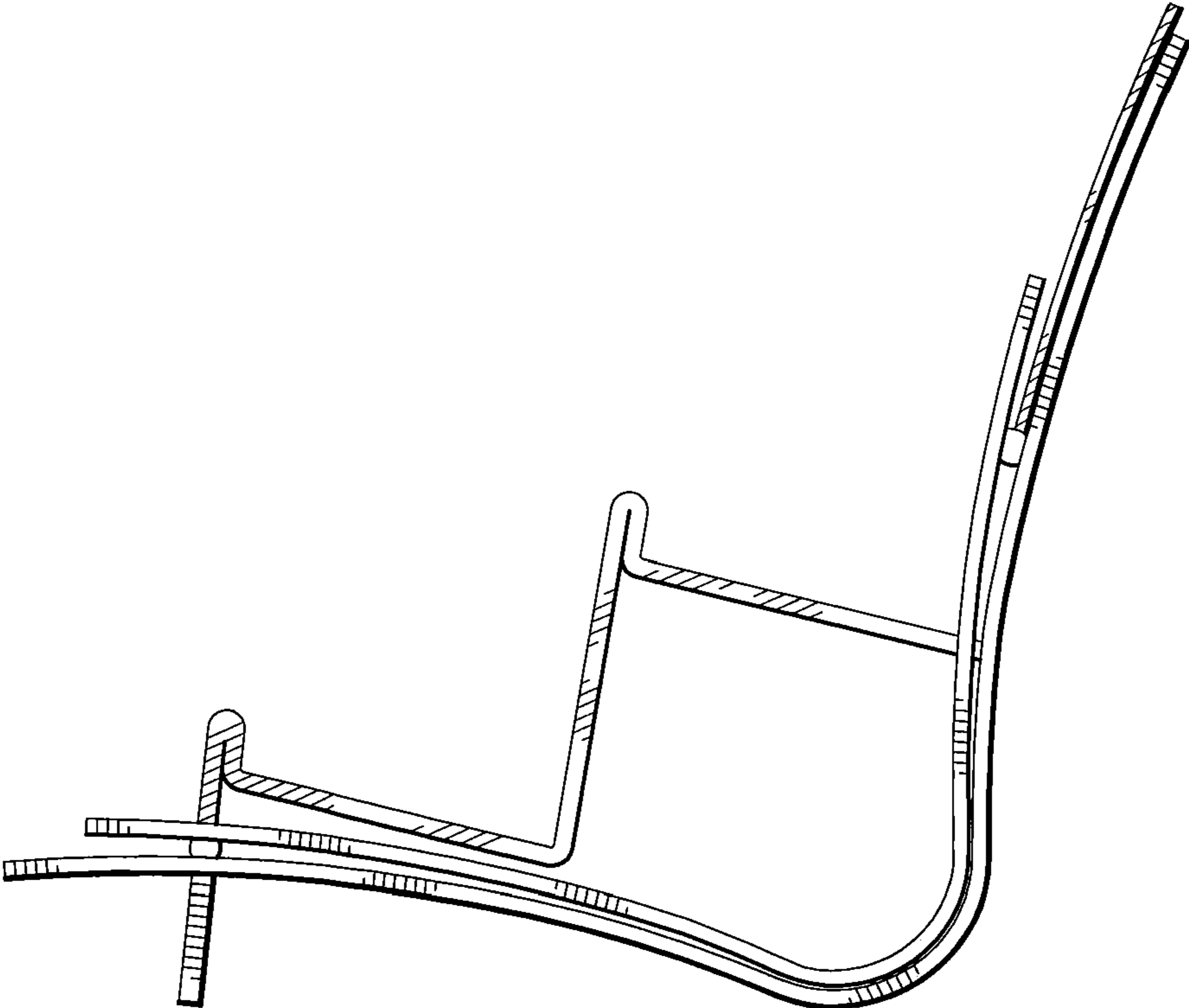


FIG. 2

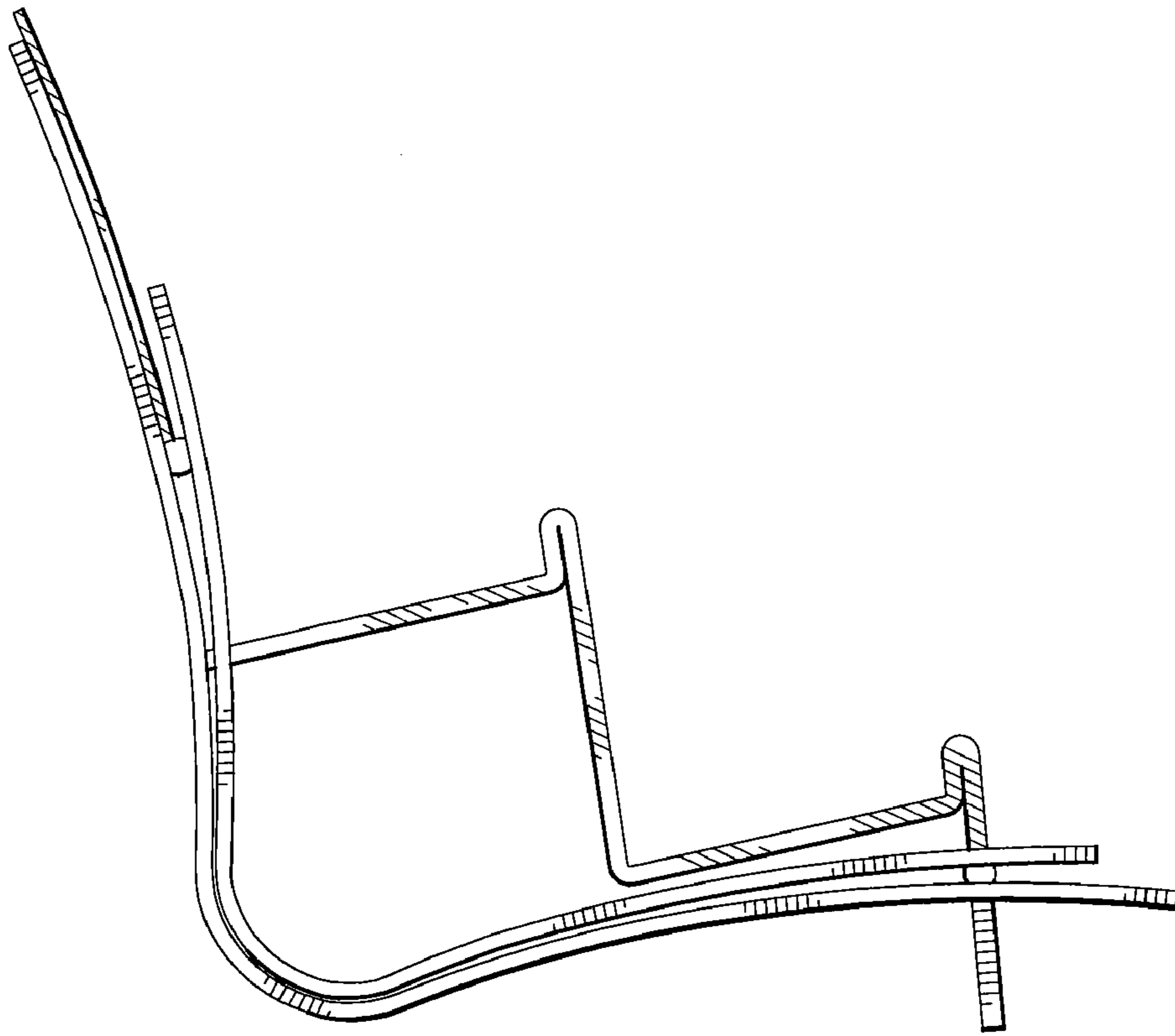


Fig. 3

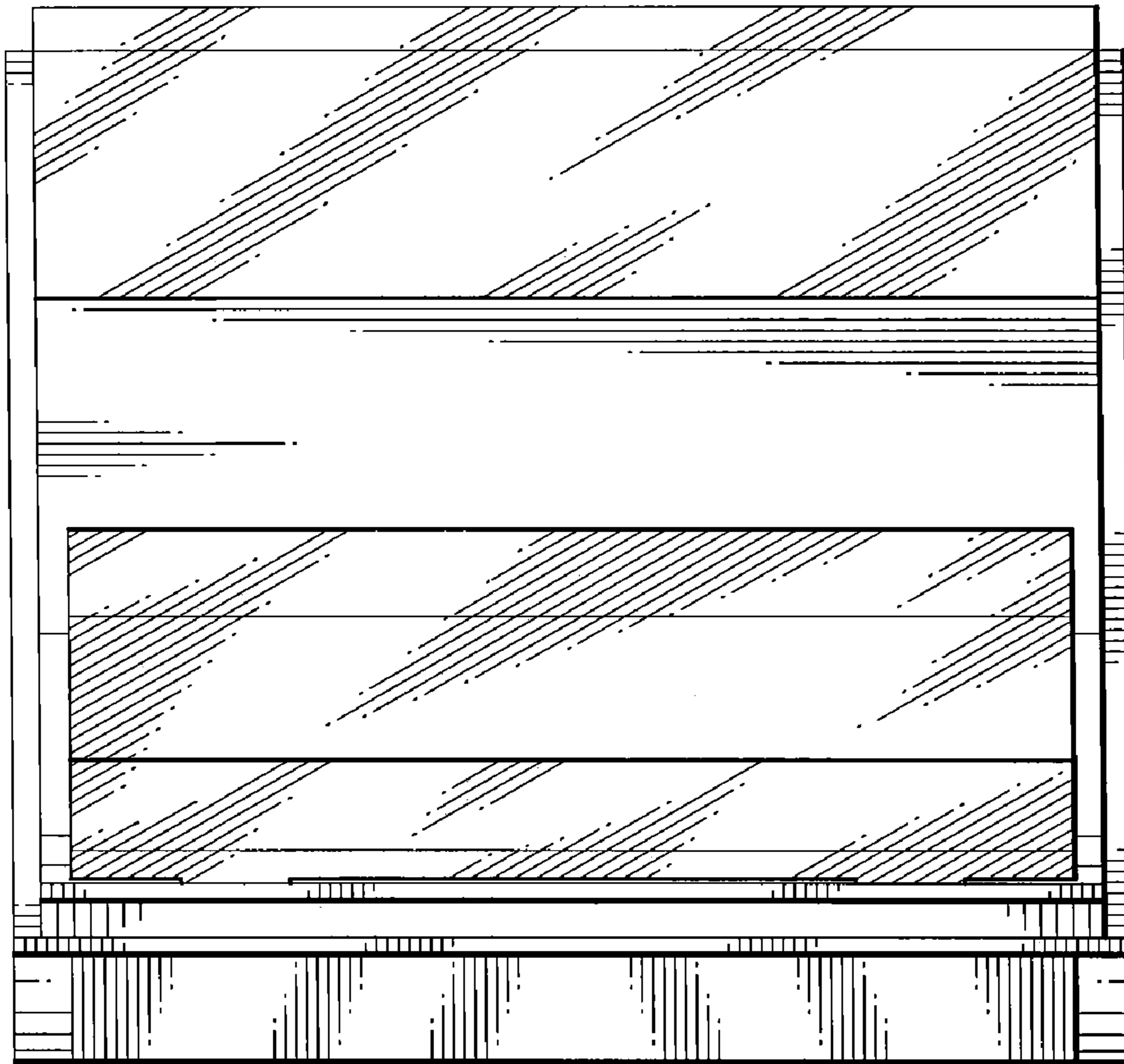


FIG. 4

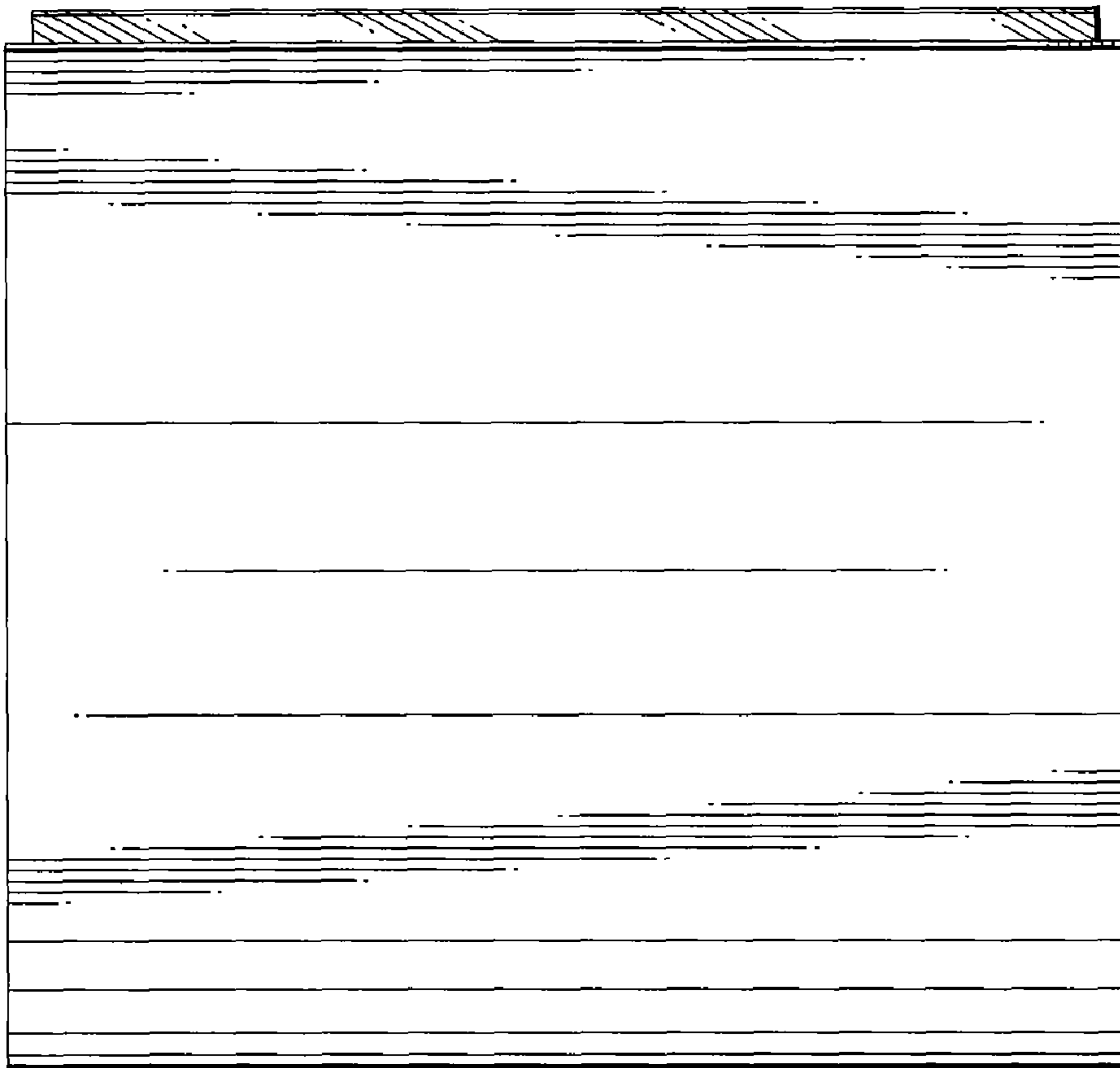


Fig. 5

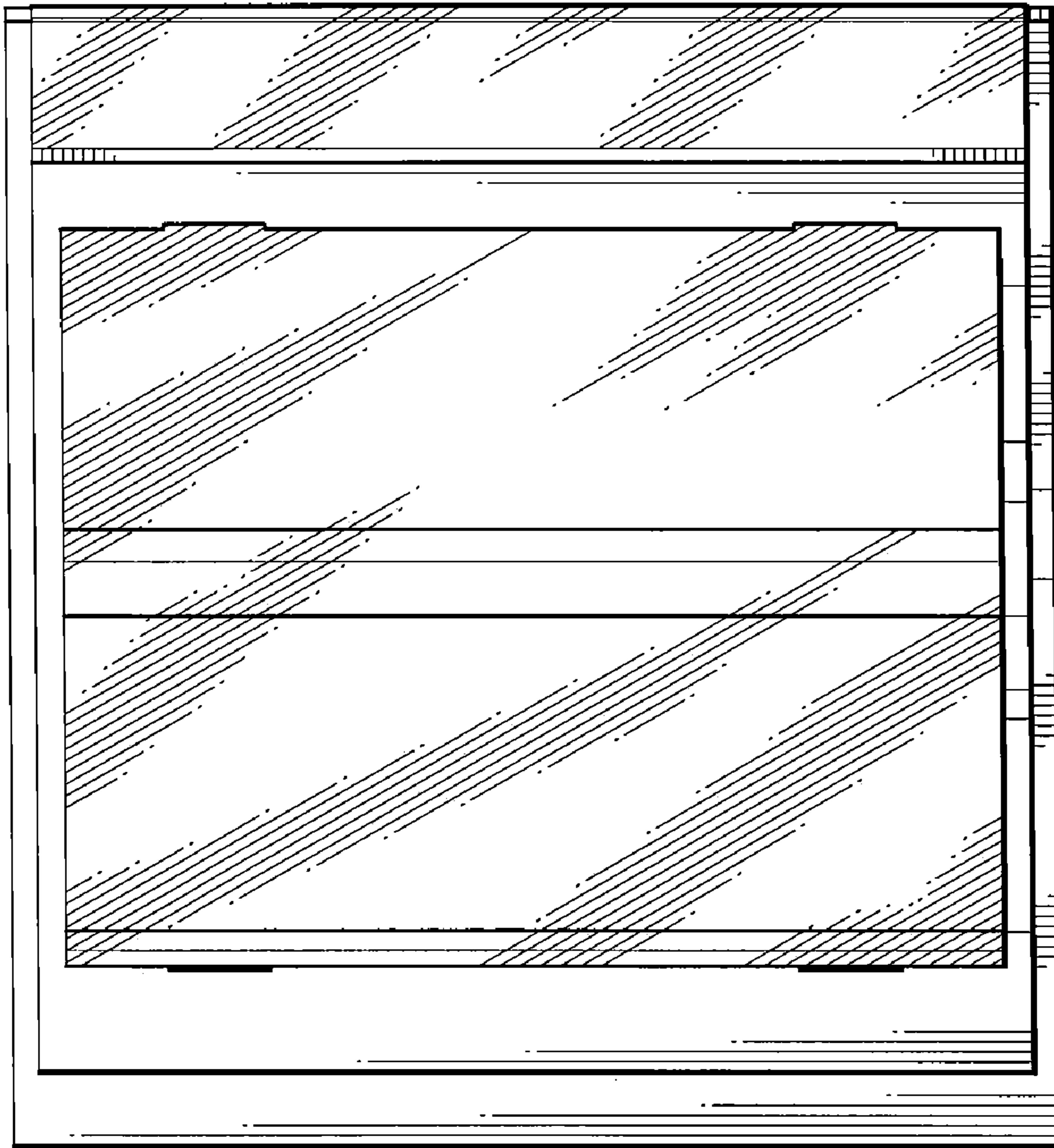


FIG. 6

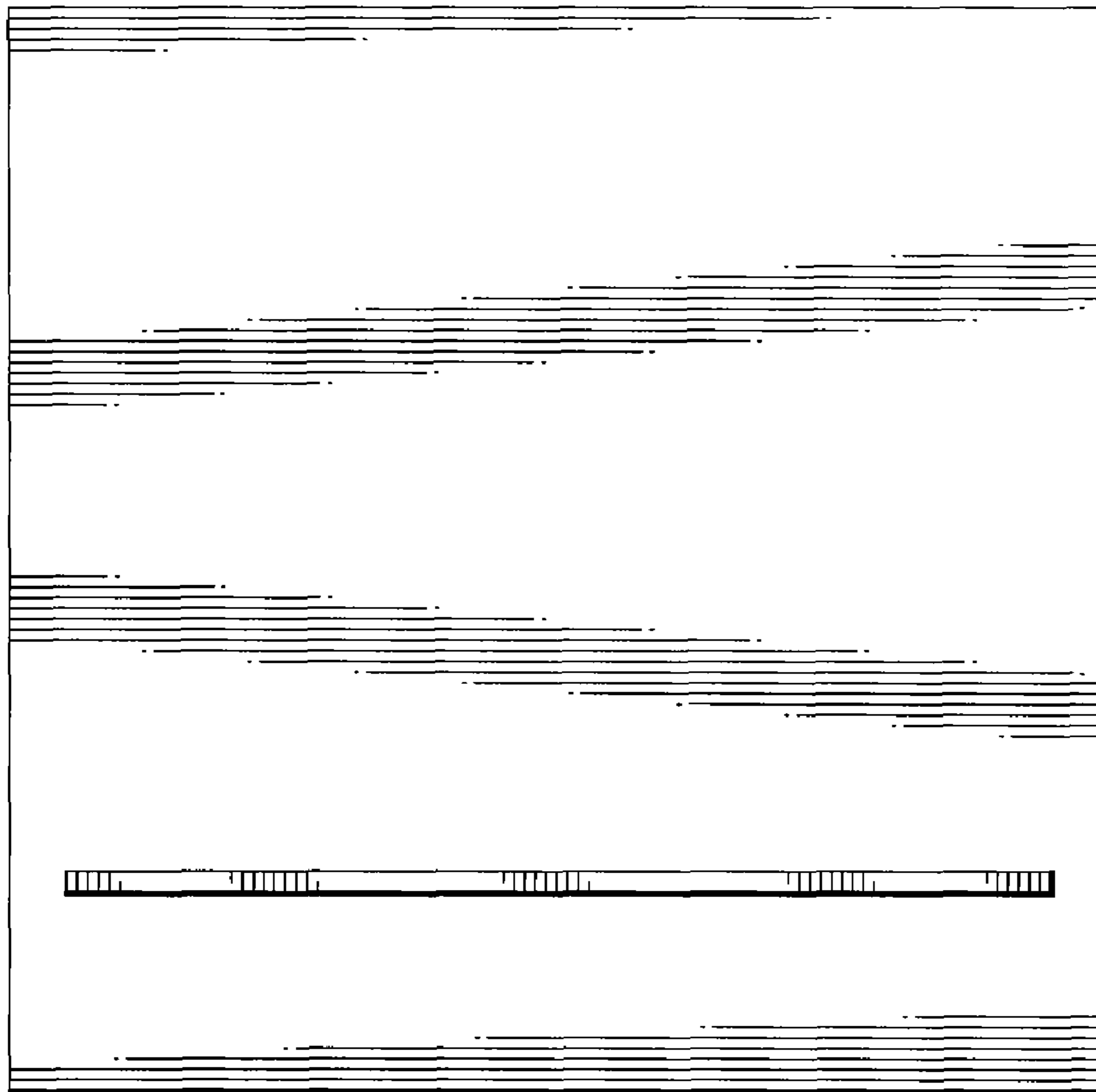


FIG. 7

UNITED STATES PATENT AND TRADEMARK OFFICE
CERTIFICATE OF CORRECTION

PATENT NO. : D633,731 S
APPLICATION NO. : 29/365557
DATED : March 8, 2011
INVENTOR(S) : Axel Pohl

Page 1 of 1

It is certified that error appears in the above-identified patent and that said Letters Patent is hereby corrected as shown below:

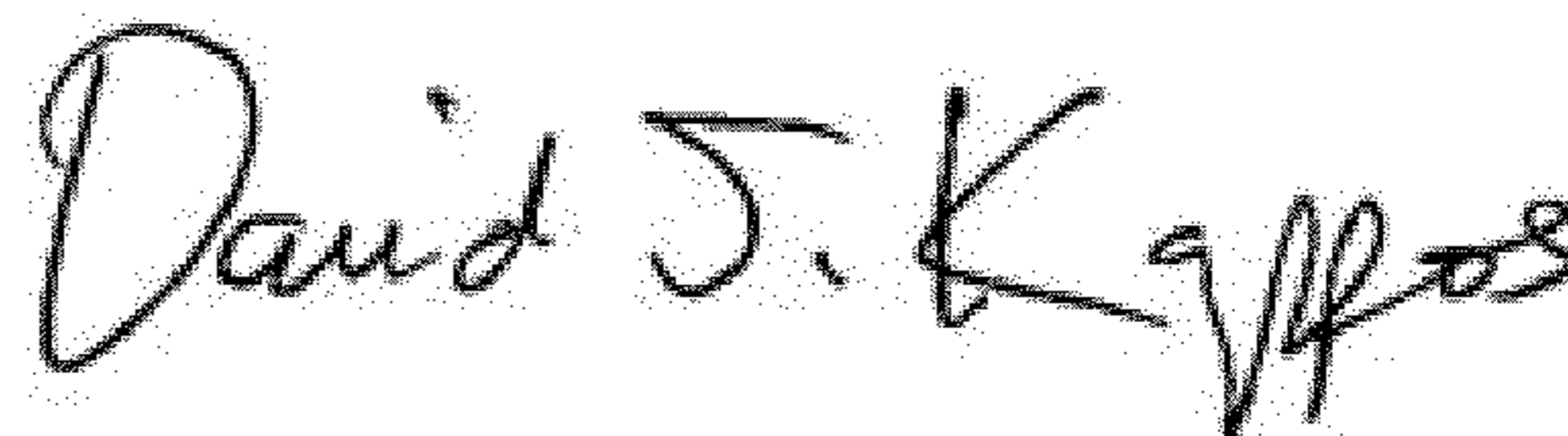
Title Page;

(56) References Cited – Replace “2,984,227 A 12/1960 Goldsholl” with
--2,964,227 A 12/1960 Goldsholl--

(56) References Cited – Replace “8,614,028 2/2003 Yeoman” with
--6,514,028 2/2003 Yeoman--

(56) References Cited – Replace “D667,740 12/2007 Bharna” with
--D557,740 12/2007 Bharna--

Signed and Sealed this
Second Day of October, 2012



David J. Kappos
Director of the United States Patent and Trademark Office