



US00D633730S

(12) **United States Design Patent**  
**Kimmet**

(10) **Patent No.:** **US D633,730 S**  
(45) **Date of Patent:** **\*\* Mar. 8, 2011**

(54) **DISPLAY FOR CAN WITH TAB AND TAB STORAGE WITHIN**

D607,235 S \* 1/2010 Chue ..... D6/466

(76) Inventor: **Stephen G. Kimmet**, Tiffin, OH (US)

\* cited by examiner

*Primary Examiner*—Mary Ann Calabrese

(\*\*) Term: **14 Years**

(57) **CLAIM**

(21) Appl. No.: **29/356,597**

I claim the ornamental design for a display for can with tab and tab storage within, as shown and described.

(22) Filed: **Feb. 28, 2010**

(51) **LOC (9) Cl.** ..... **06-04**

(52) **U.S. Cl.** ..... **D6/466**

(58) **Field of Classification Search** ..... D6/449,  
D6/457–469; 211/10, 13.1, 24, 42, 43, 71,  
211/85.4, 86.01; D99/34; 40/538–540; 248/127,  
248/346.01, 441.1, 442, 444, 450, 456, 628,  
248/686, 689–691, 693

See application file for complete search history.

**DESCRIPTION**

FIG. 1 is a front elevation view of display for can with tab and tab storage within, and for storing loose tabs below a display door and within the display, showing my new design;

FIG. 2 is a side view from behind the can of the display of FIG. 1;

FIG. 3 is a top view of the display of FIG. 1 showing one of the loose tabs stored below the display door; and,

FIG. 4 is an enlarged fragmentary side view of the tab mount, removed for clarity of illustration.

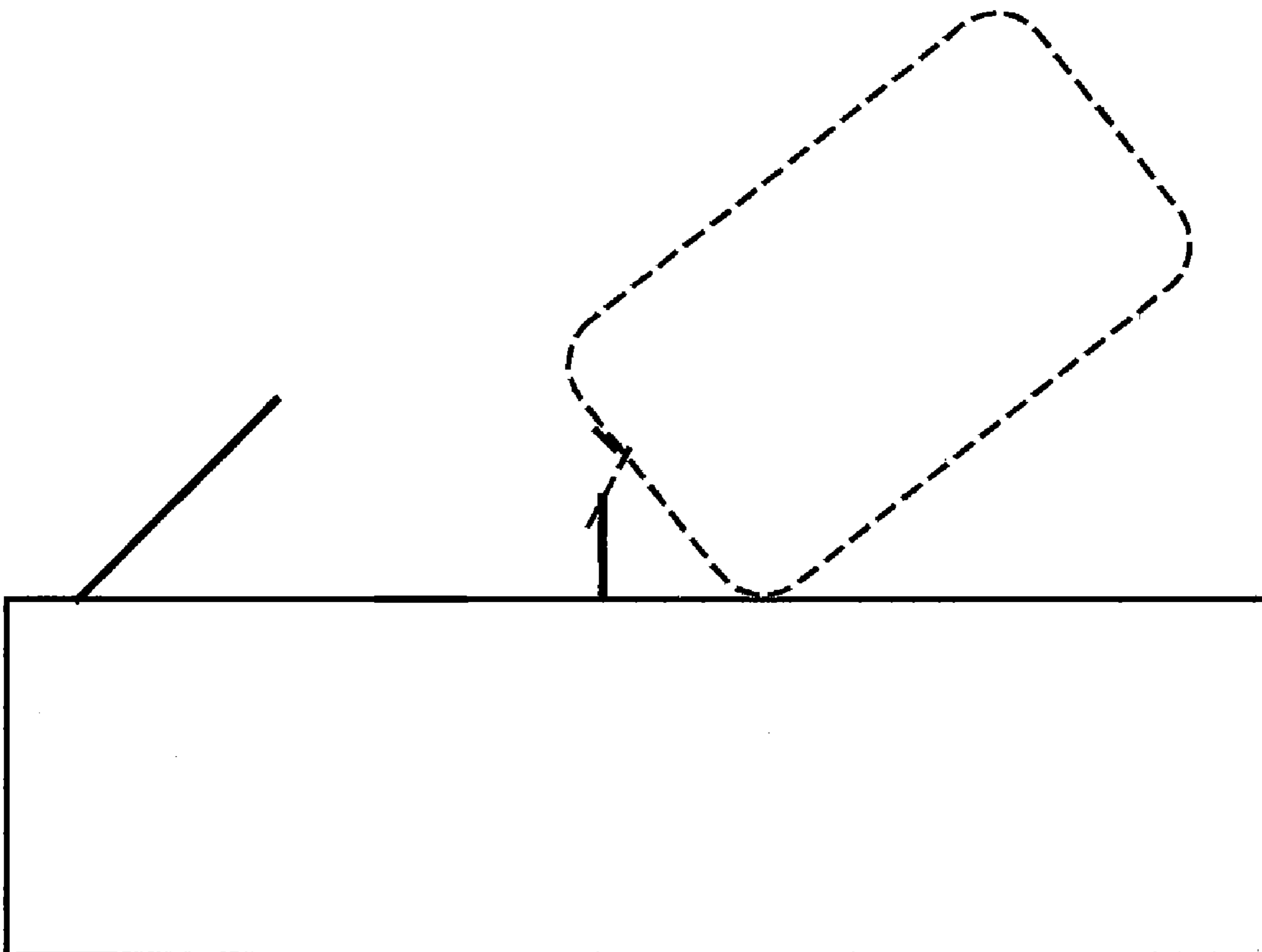
In the drawings, the broken lines illustrate the environmental in which the display for can with tab and tab storage within is used and forms no part of the claimed design.

(56) **References Cited**

**U.S. PATENT DOCUMENTS**

D248,692 S *	7/1978	Kovar .....	D99/34
D400,736 S *	11/1998	Churchville et al. ....	D6/467
D538,066 S *	3/2007	Wagner .....	D6/467
D604,531 S *	11/2009	Annicelli .....	D6/457
D607,234 S *	1/2010	Chue .....	D6/466

**1 Claim, 2 Drawing Sheets**



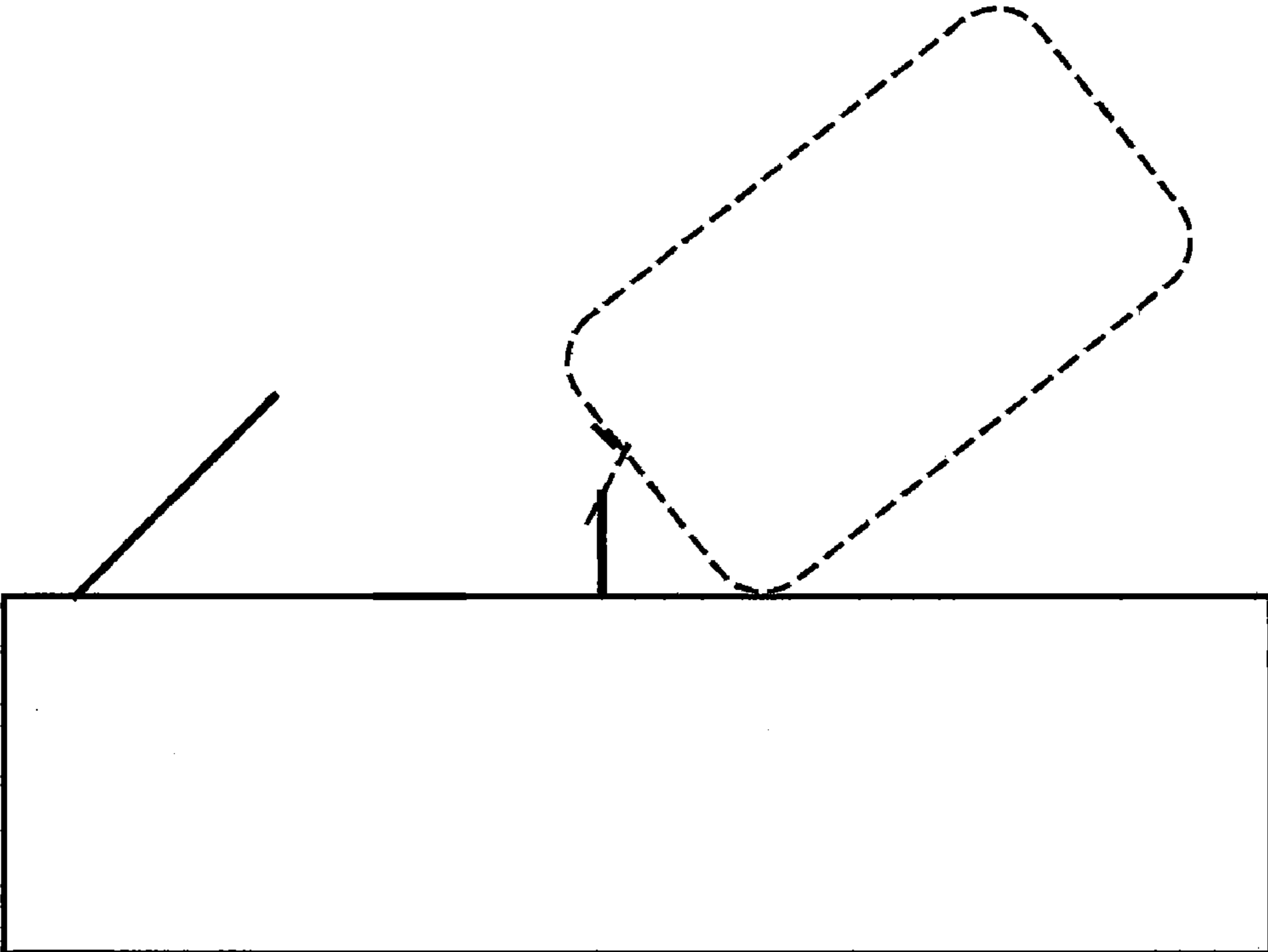


FIG. 1

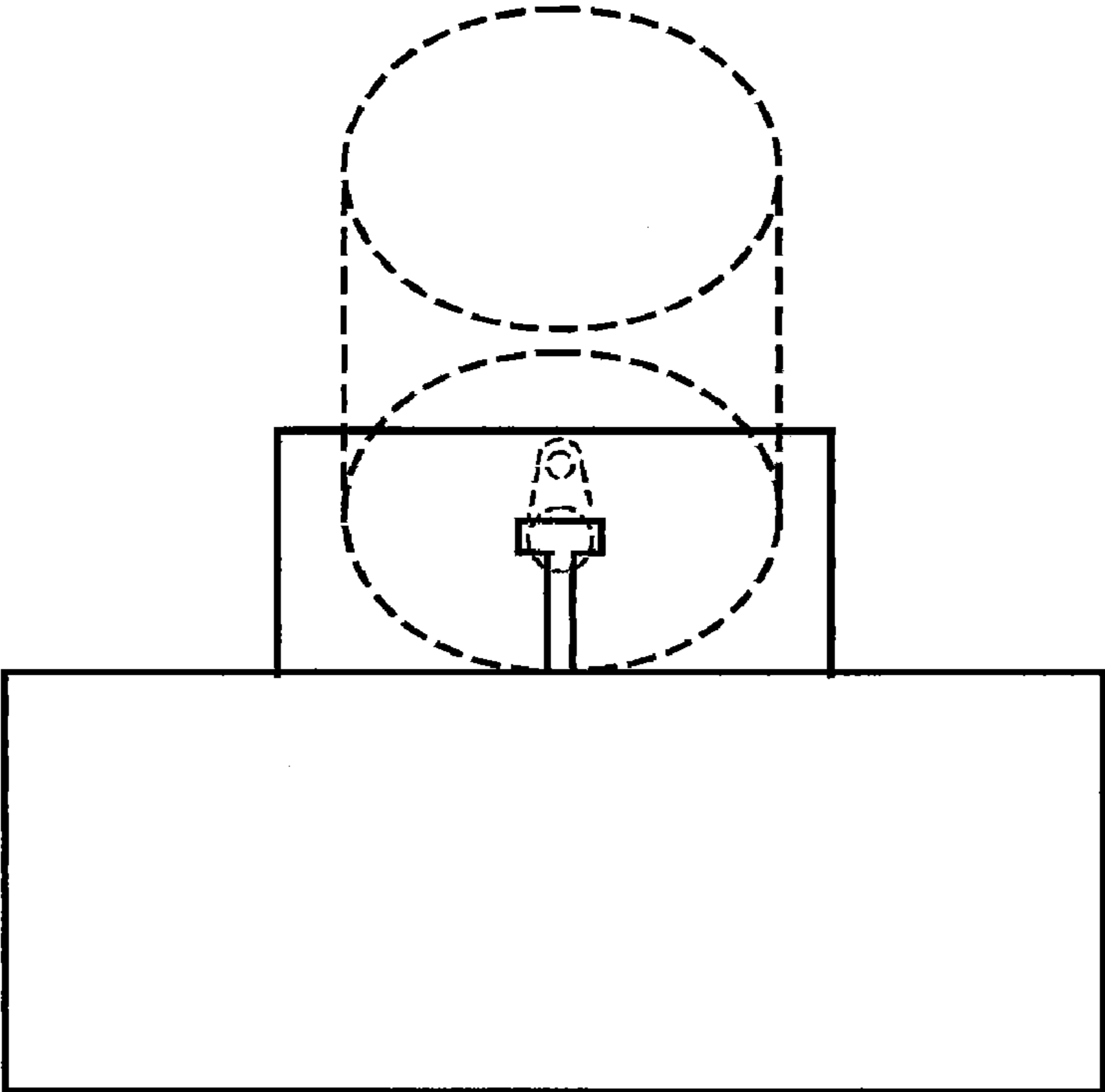


FIG. 2

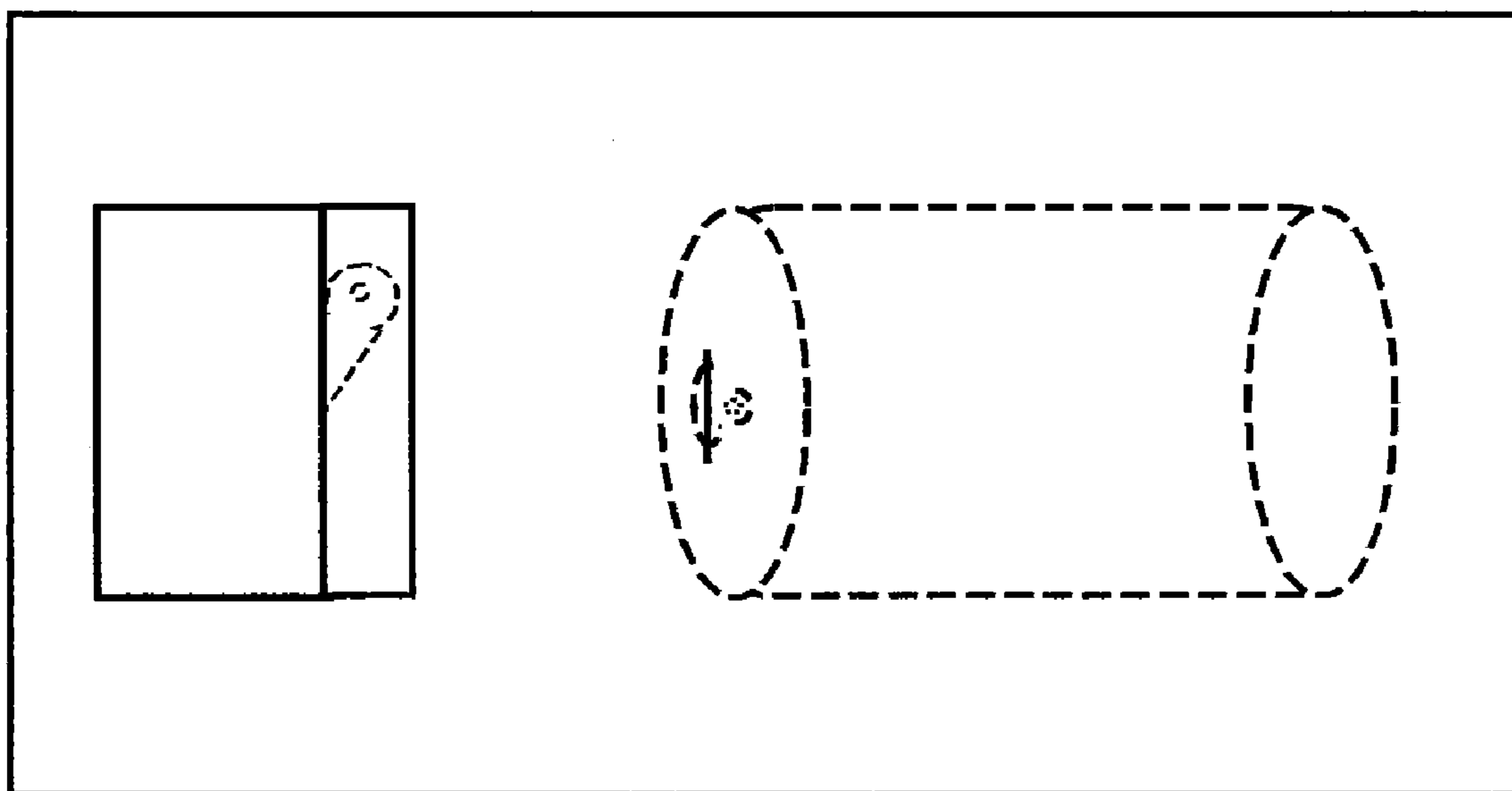


FIG. 3



FIG. 4