



US00D633728S

(12) **United States Design Patent**
Fabricatore

(10) **Patent No.:** **US D633,728 S**

(45) **Date of Patent:** **** Mar. 8, 2011**

(54) **CARRIER FOR ELECTRONIC DEVICES**

(76) **Inventor:** **Brian K. Fabricatore**, Bohemia, NY
(US)

(**) **Term:** **14 Years**

(21) **Appl. No.:** **29/370,818**

(22) **Filed:** **Sep. 9, 2010**

(51) **LOC (9) Cl.** **06-06**

(52) **U.S. Cl.** **D6/406.5**

(58) **Field of Classification Search** D6/406.1-406.6,
D6/339, 419, 429, 430; D14/447, 457; D3/201,
D3/206, 315, 328; 108/25, 42-43, 147.11;
220/632; 211/11, 126.1, 42
See application file for complete search history.

(56) **References Cited**

U.S. PATENT DOCUMENTS

4,537,646	A *	8/1985	Hoyle	156/212
D411,388	S *	6/1999	Sacco et al.	D6/406.6
6,050,200	A *	4/2000	Sullins et al.	108/43
D433,580	S *	11/2000	Jarke et al.	D6/406.5
D443,999	S *	6/2001	Cable	D6/406.4
D475,550	S *	6/2003	Cote et al.	D6/406.3
D499,575	S *	12/2004	Chan	D6/406.3
D512,245	S *	12/2005	Bean et al.	D6/406.3
6,986,308	B1 *	1/2006	King et al.	108/43
D517,833	S *	3/2006	Jennings	D6/406.5
D519,121	S *	4/2006	Zamanian	D14/447
D526,810	S *	8/2006	Lorr et al.	D6/406.5
D573,150	S *	7/2008	Sween	D14/447

D609,027	S *	2/2010	Jennings	D6/406.5
D616,890	S *	6/2010	Lewandowski et al.	D14/434
D619,823	S *	7/2010	Jennings	D6/406.3
D621,406	S *	8/2010	Hoehn et al.	D14/447

* cited by examiner

Primary Examiner — Elizabeth A Albert

Assistant Examiner — Kelley A Donnelly

(74) *Attorney, Agent, or Firm* — John Lezdey

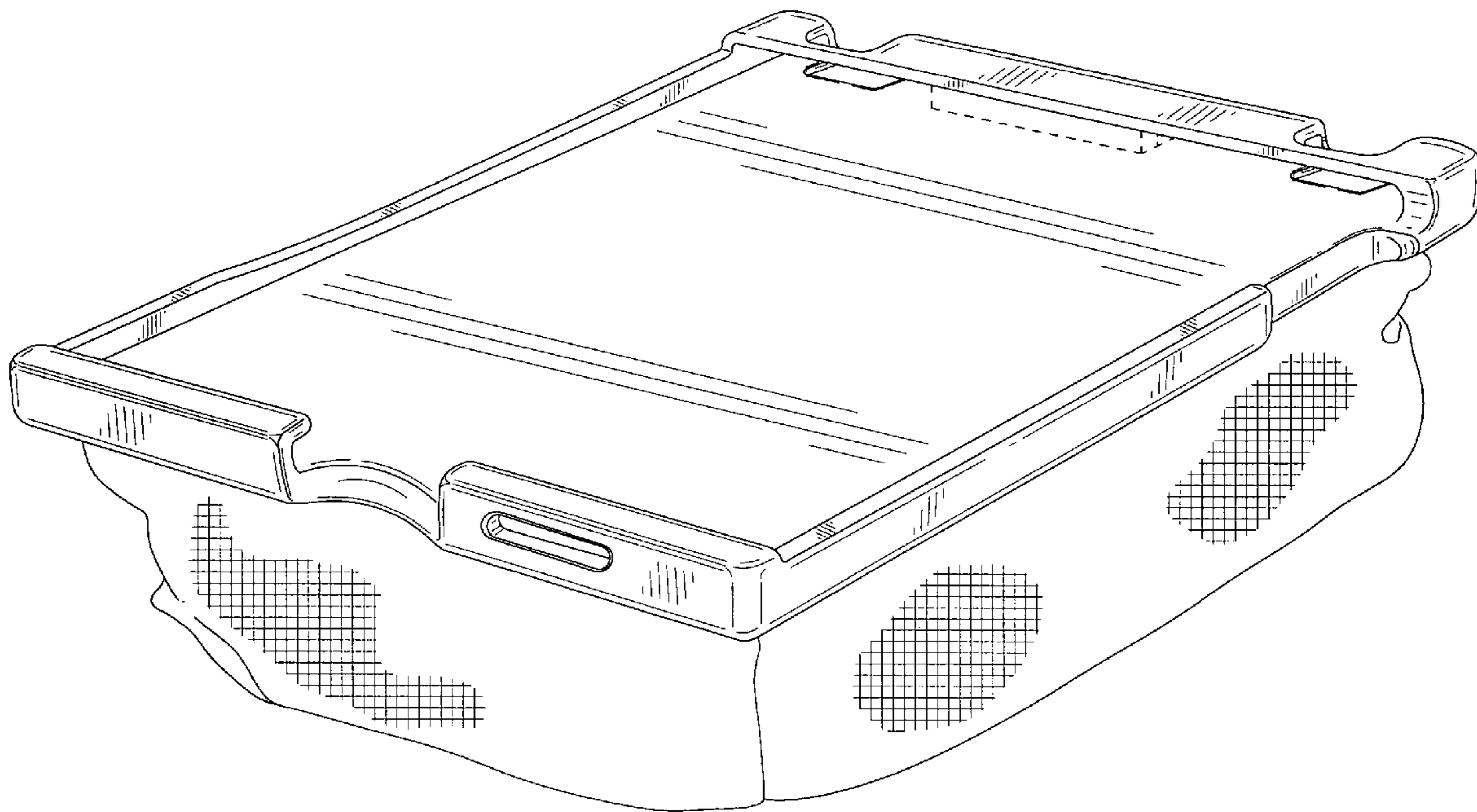
(57) **CLAIM**

The ornamental design for a carrier for electronic devices, as shown and described.

DESCRIPTION

FIG. 1 is a perspective view showing my new design;
 FIG. 2 is a top elevational view thereof;
 FIG. 3 is a bottom elevational view thereof;
 FIG. 4 is a right side elevational view thereof;
 FIG. 5 is a left side elevational view thereof;
 FIG. 6 is a rear elevational view thereof;
 FIG. 7 is a front elevational view thereof; and,
 FIG. 8 is a perspective view of the new design with an elec-
 tronic device in phantom.
 The cross-hatched shading that can be seen on the bottom
 portion of the claimed design is a type of shading that repre-
 sents surface material.
 The broken lines are for the purpose of illustrating the envi-
 ronment of the article only and form no part of the claimed
 design.

1 Claim, 6 Drawing Sheets



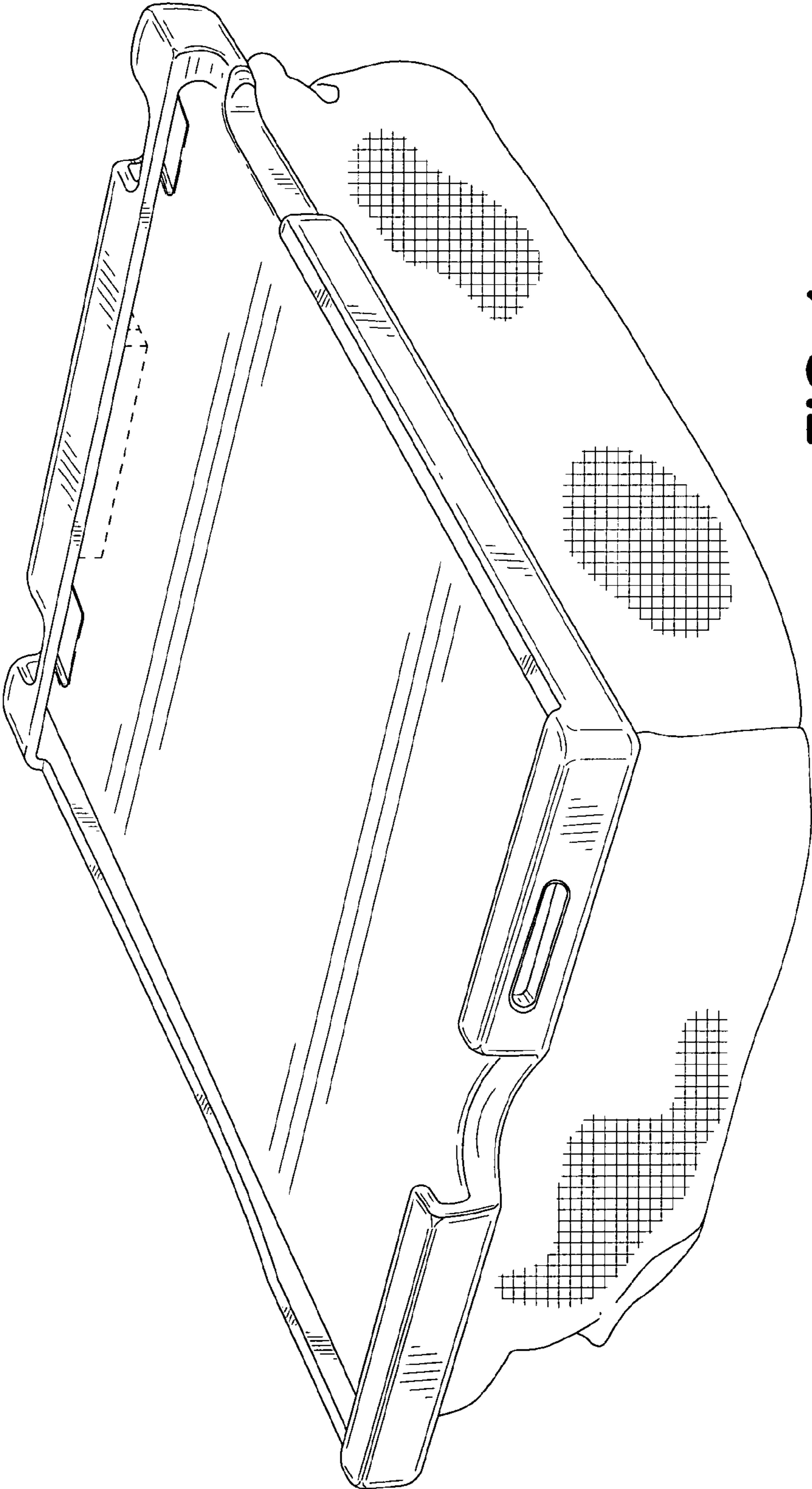


FIG. 1

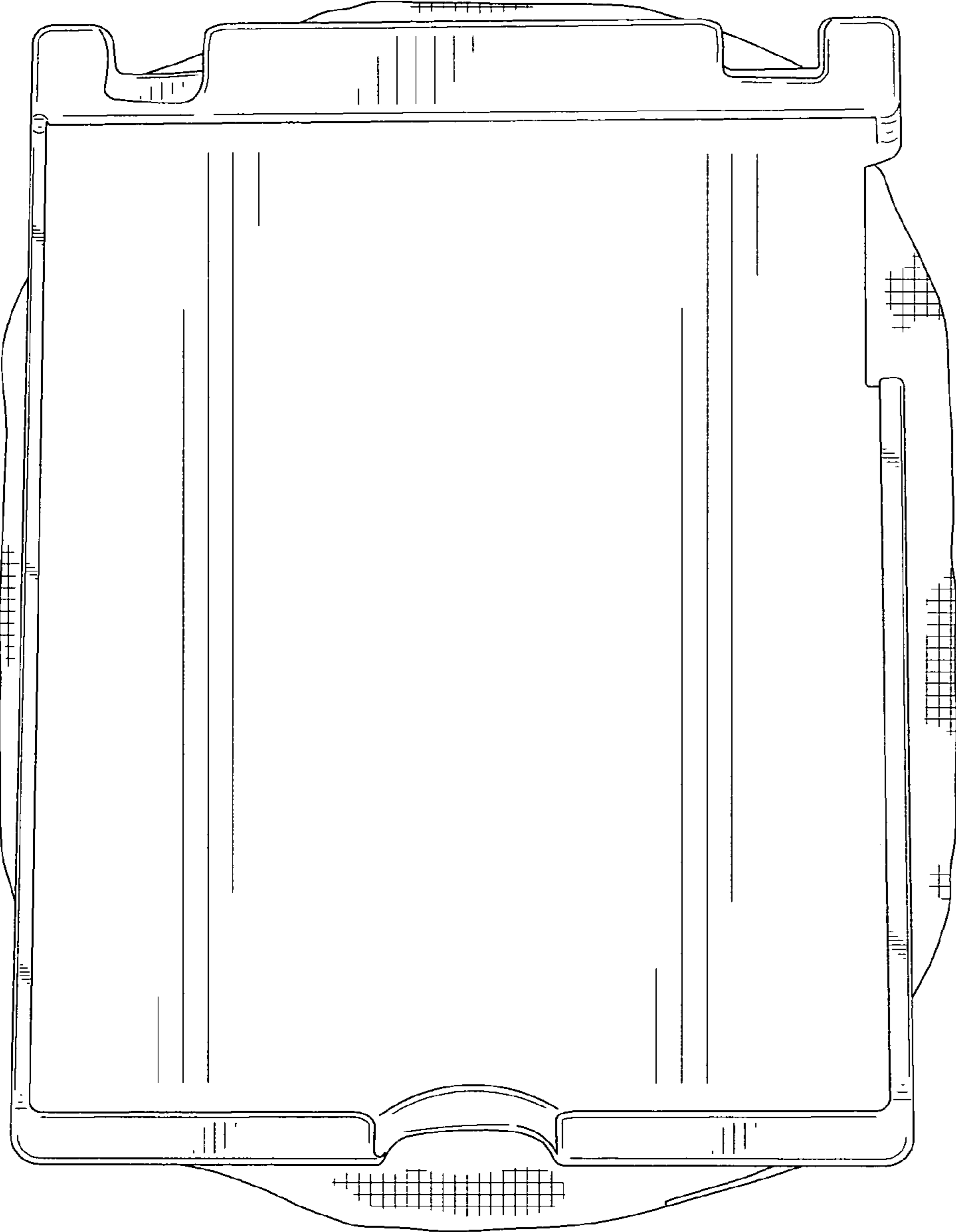


FIG. 2

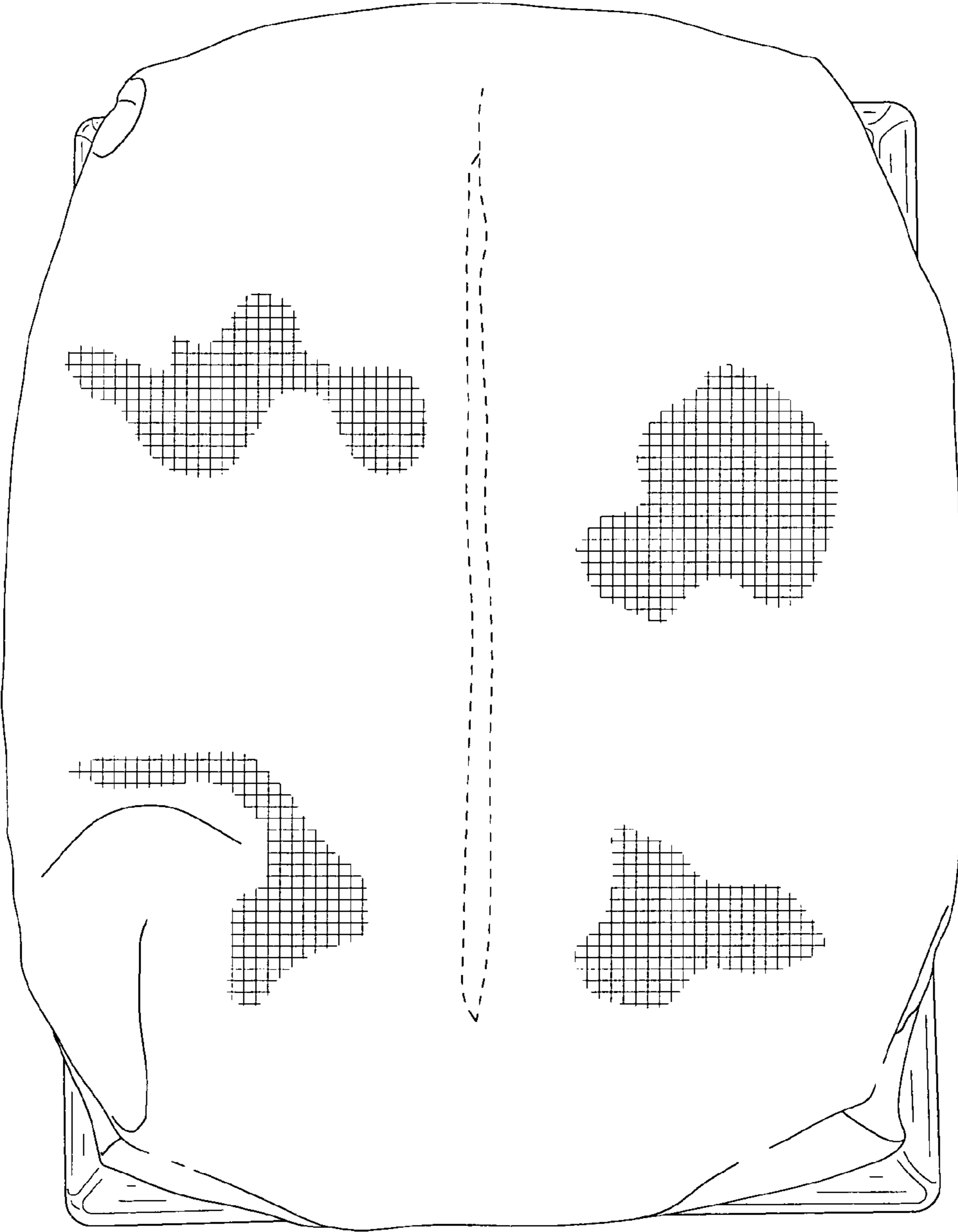


FIG. 3

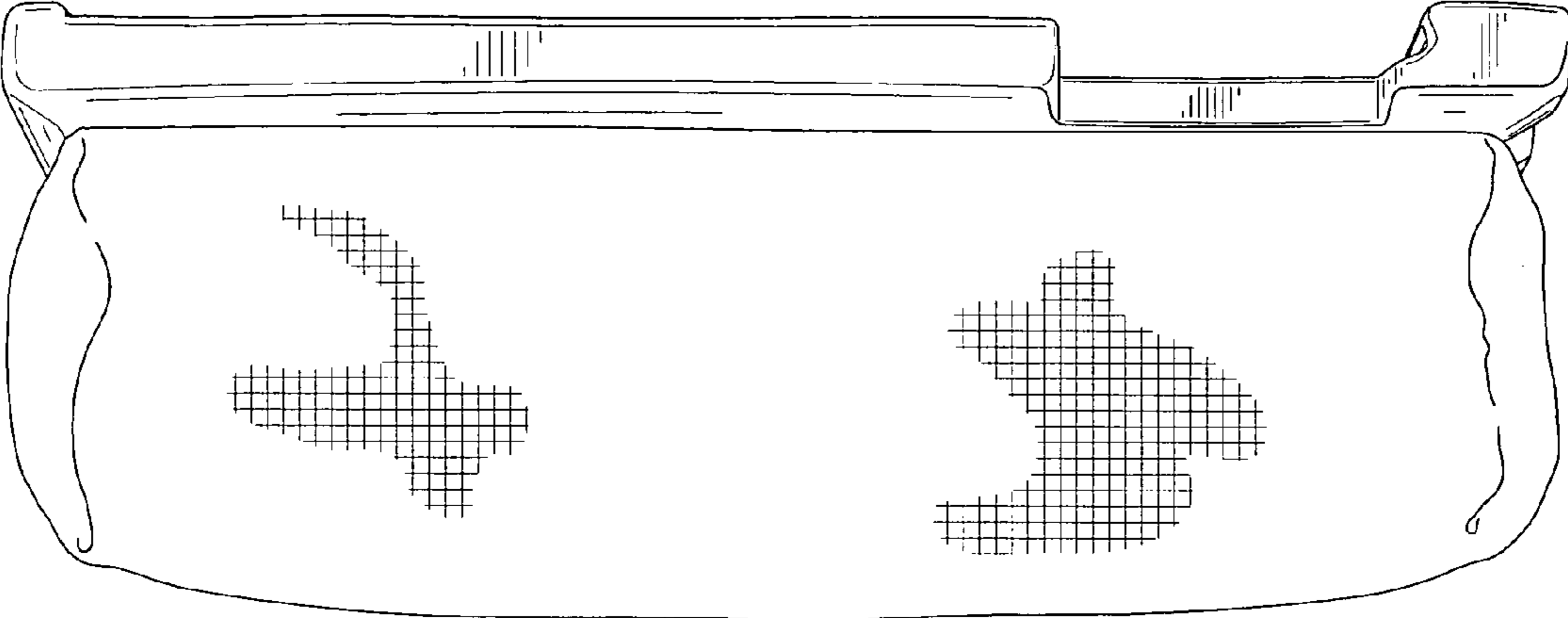


FIG. 4

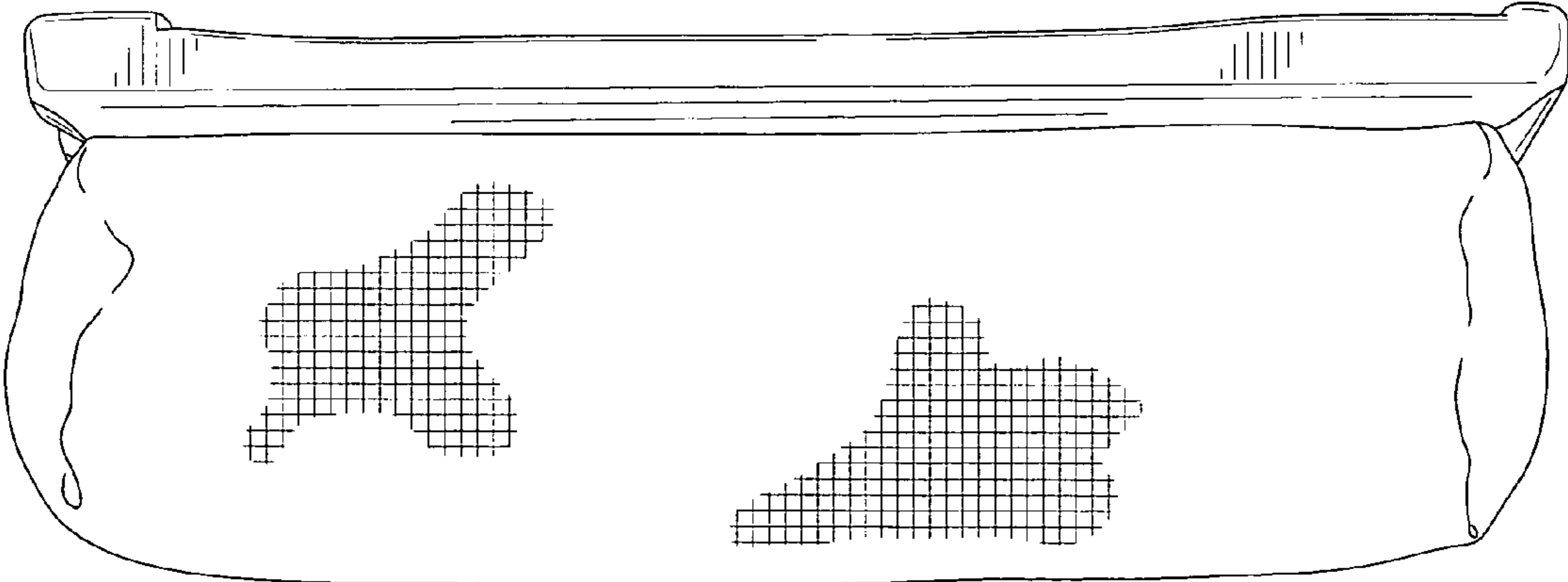


FIG. 5

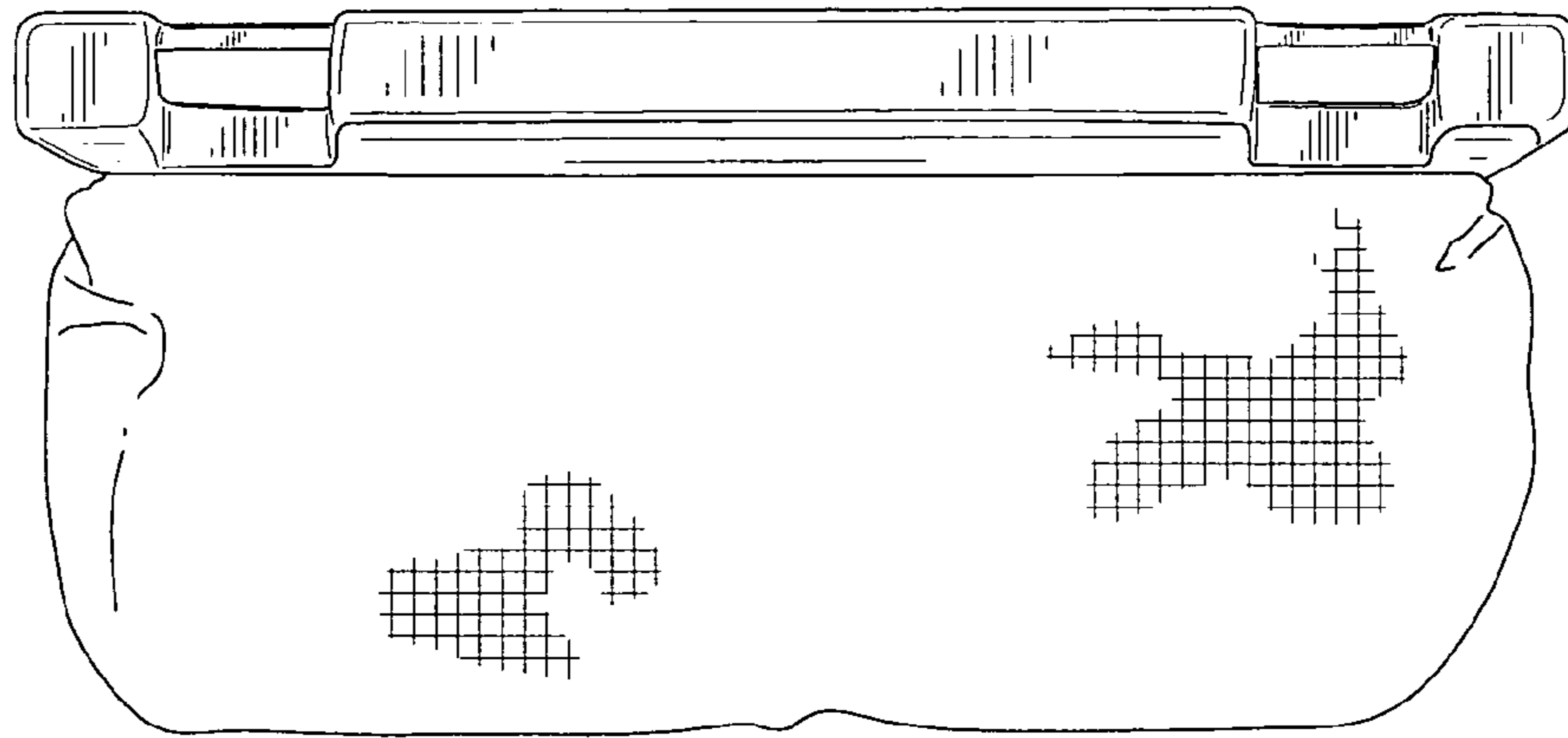


FIG. 6

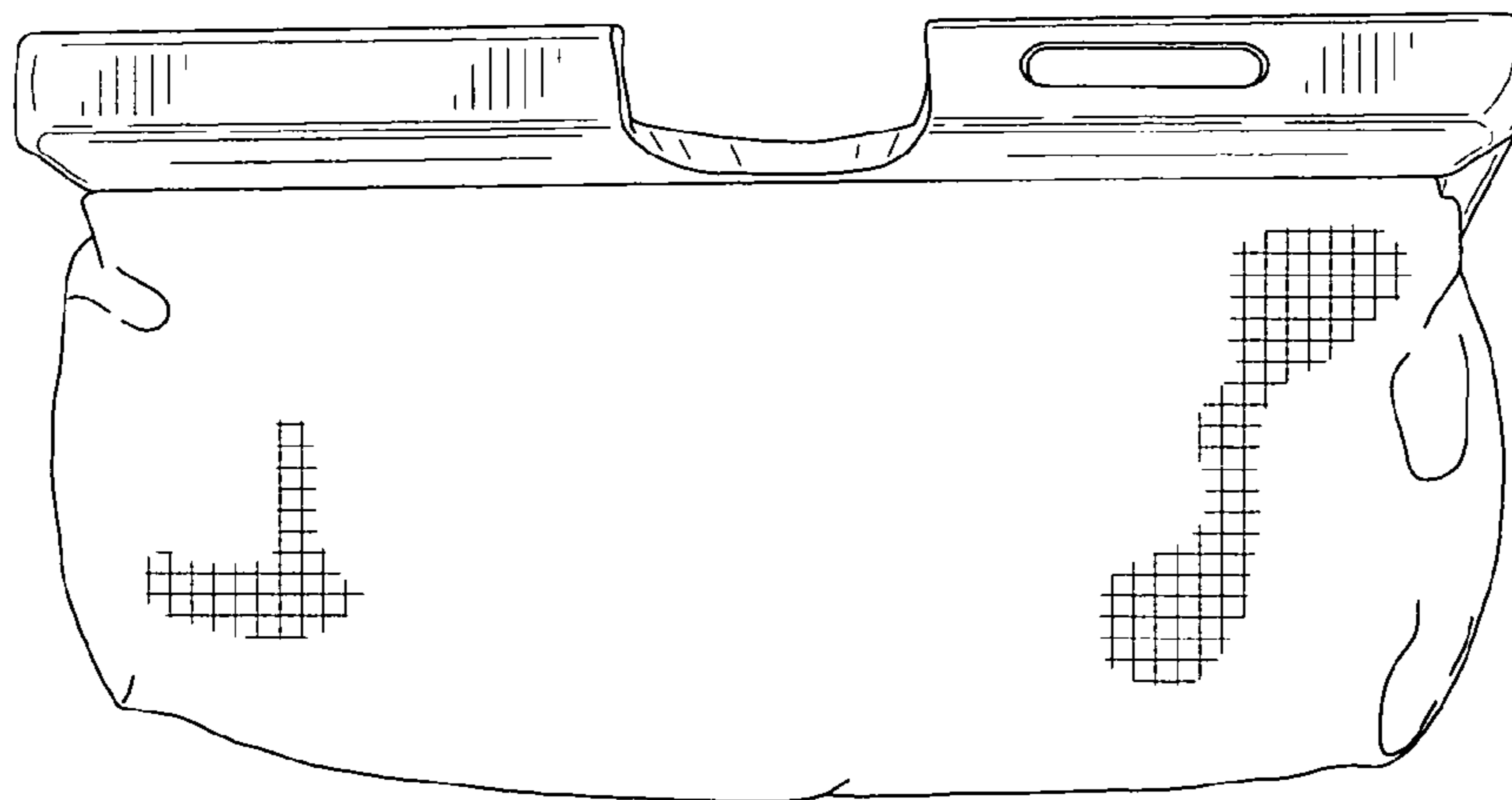


FIG. 7

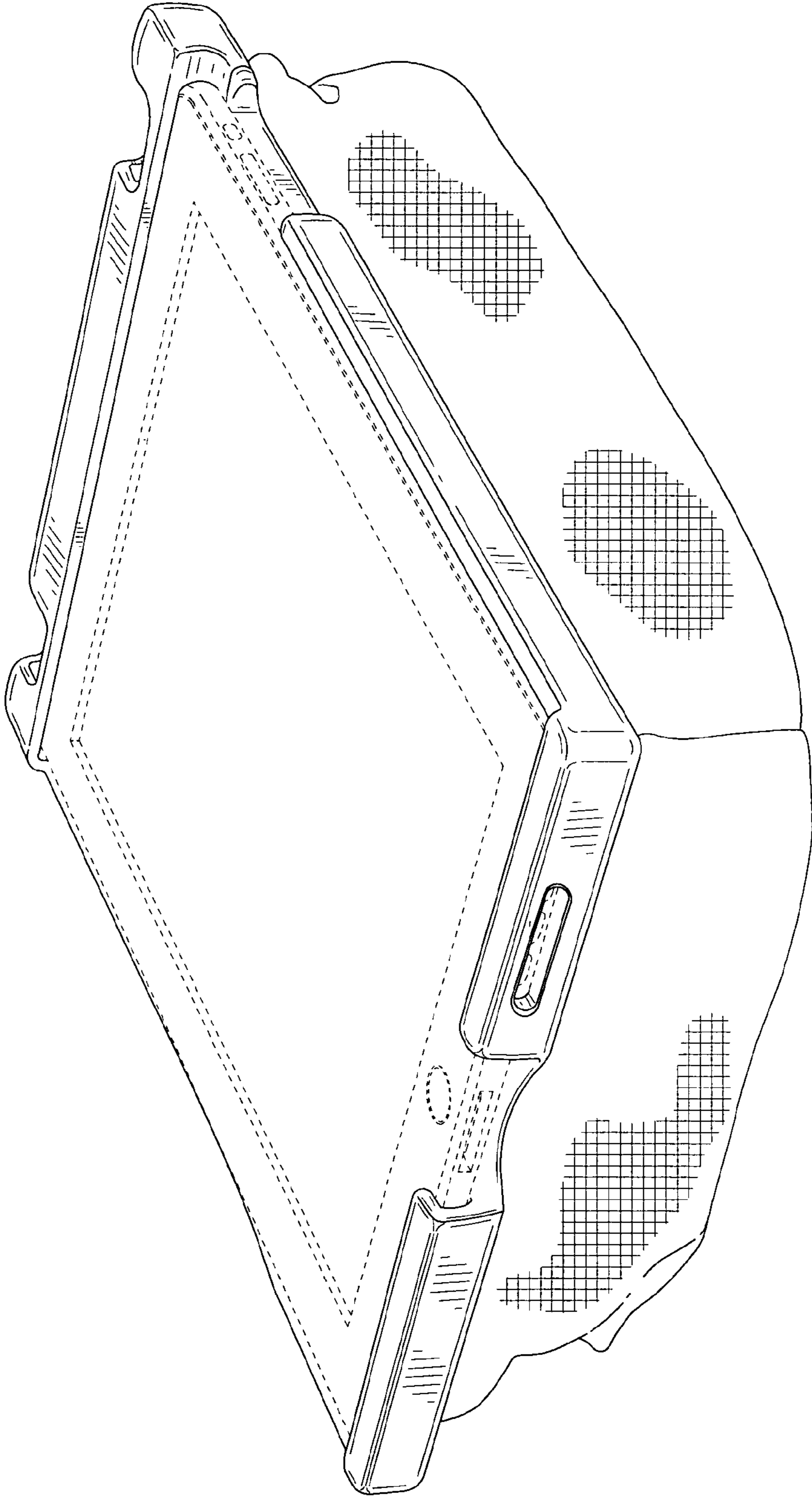


FIG. 8