



US00D633725S

(12) **United States Design Patent**
Massaud

(10) **Patent No.:** **US D633,725 S**
(45) **Date of Patent:** **** Mar. 8, 2011**

(54) **CHAIR**

(75) Inventor: **Jean Marie Massaud**, Paris (FR)

(73) Assignee: **Poltrona Frau S.p.A.**, Turin (IT)

(**) Term: **14 Years**

(21) Appl. No.: **29/347,409**

(22) Filed: **Dec. 22, 2009**

(30) **Foreign Application Priority Data**

Oct. 6, 2009 (EM) 001619867

(51) **LOC (9) Cl.** **06-01**

(52) **U.S. Cl.** **D6/334**

(58) **Field of Classification Search** D6/334,
D6/349, 355, 359, 369, 370, 371, 381-383,
D6/491, 492, 500-503, 374; 297/94, 181,
297/233, 234, 235, 283.2, 311, 351, 353,
297/354.1, 354.12, 354.13, 445.1, 451.1,
297/451.8, 451.9; 5/12.1, 12.2

See application file for complete search history.

(56) **References Cited**

U.S. PATENT DOCUMENTS

D131,001 S * 1/1942 Abromson D6/336
D224,766 S * 9/1972 Rowland D6/371
D261,702 S * 11/1981 Whalen D6/334
D278,581 S * 4/1985 Melchior D6/373
D303,326 S * 9/1989 Heimberger D6/334
D318,183 S * 7/1991 Fister, Jr. D6/334
D329,543 S * 9/1992 Shields D6/334
D339,247 S * 9/1993 Grosfillex D6/379

D341,728 S * 11/1993 Grosfillex D6/379
D367,364 S * 2/1996 Lewis D6/334
D375,845 S * 11/1996 Mourgue D6/334
D380,095 S * 6/1997 Diaz-Azcuy D6/334
D392,469 S * 3/1998 De Blaay D6/334
D430,740 S * 9/2000 Chun D6/334
D465,341 S * 11/2002 Hutton D6/334
D475,539 S * 6/2003 Savini D6/334
D504,782 S * 5/2005 Moser D6/334
D506,092 S * 6/2005 Moser D6/492
D536,541 S * 2/2007 Kreiss D6/334
D560,076 S * 1/2008 Moser D6/381
D603,613 S * 11/2009 Wilson D6/334
D606,325 S * 12/2009 Gharabegian D6/334
D616,215 S * 5/2010 Andersen D6/381

* cited by examiner

Primary Examiner—Sandra Snapp

(74) *Attorney, Agent, or Firm*—Nixon & Vanderhye P.C.

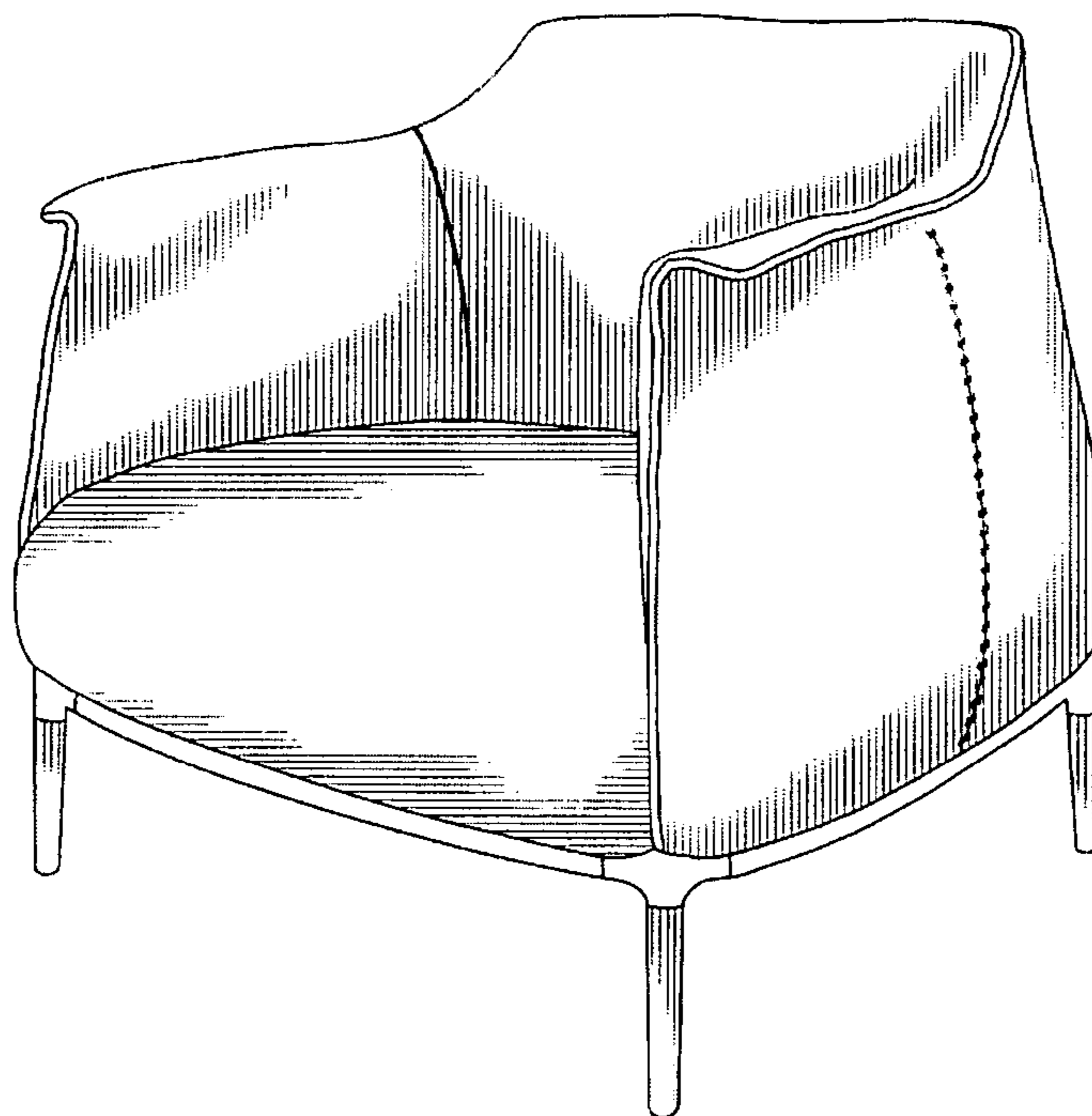
(57) **CLAIM**

The ornamental design for a chair, as shown and described.

DESCRIPTION

FIG. 1 is a front elevational view of a chair;
FIG. 2 is a left elevational view thereof;
FIG. 3 is a right elevational view thereof;
FIG. 4 is a back elevational view thereof;
FIG. 5 is a top plan view thereof;
FIG. 6 is a bottom plan view thereof; and,
FIG. 7 is a perspective view thereof.

1 Claim, 7 Drawing Sheets



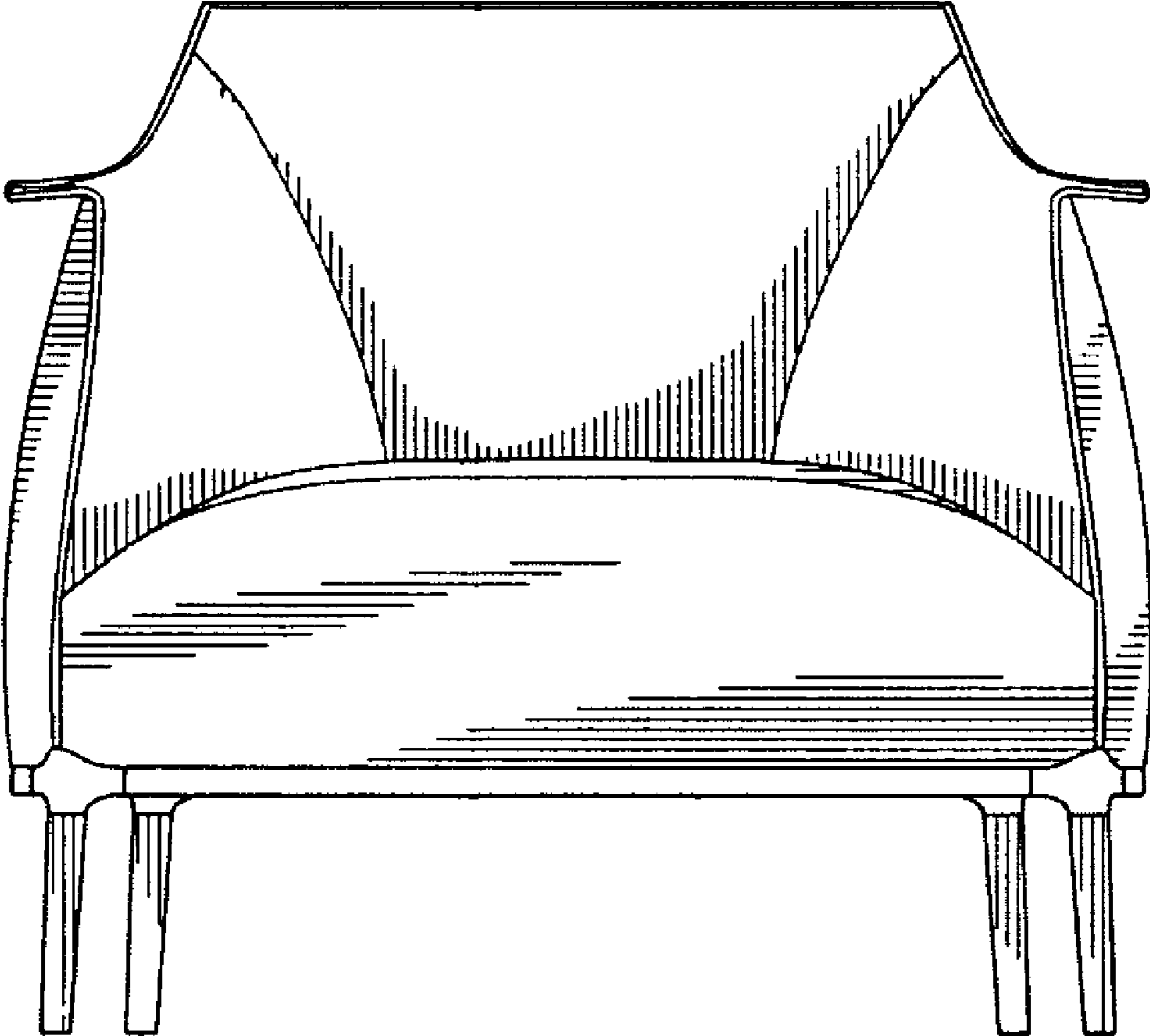


Fig. 1

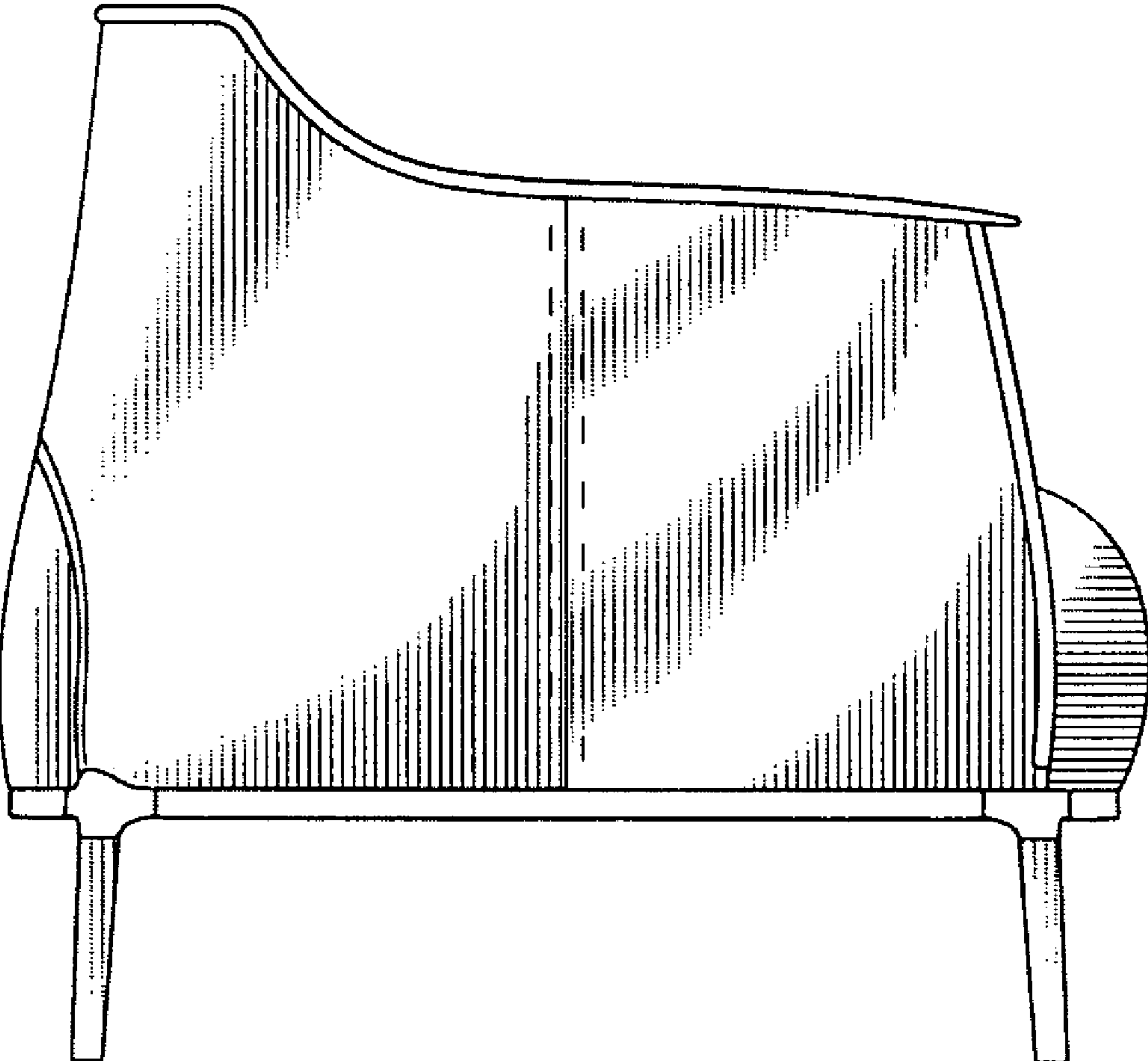


Fig.2

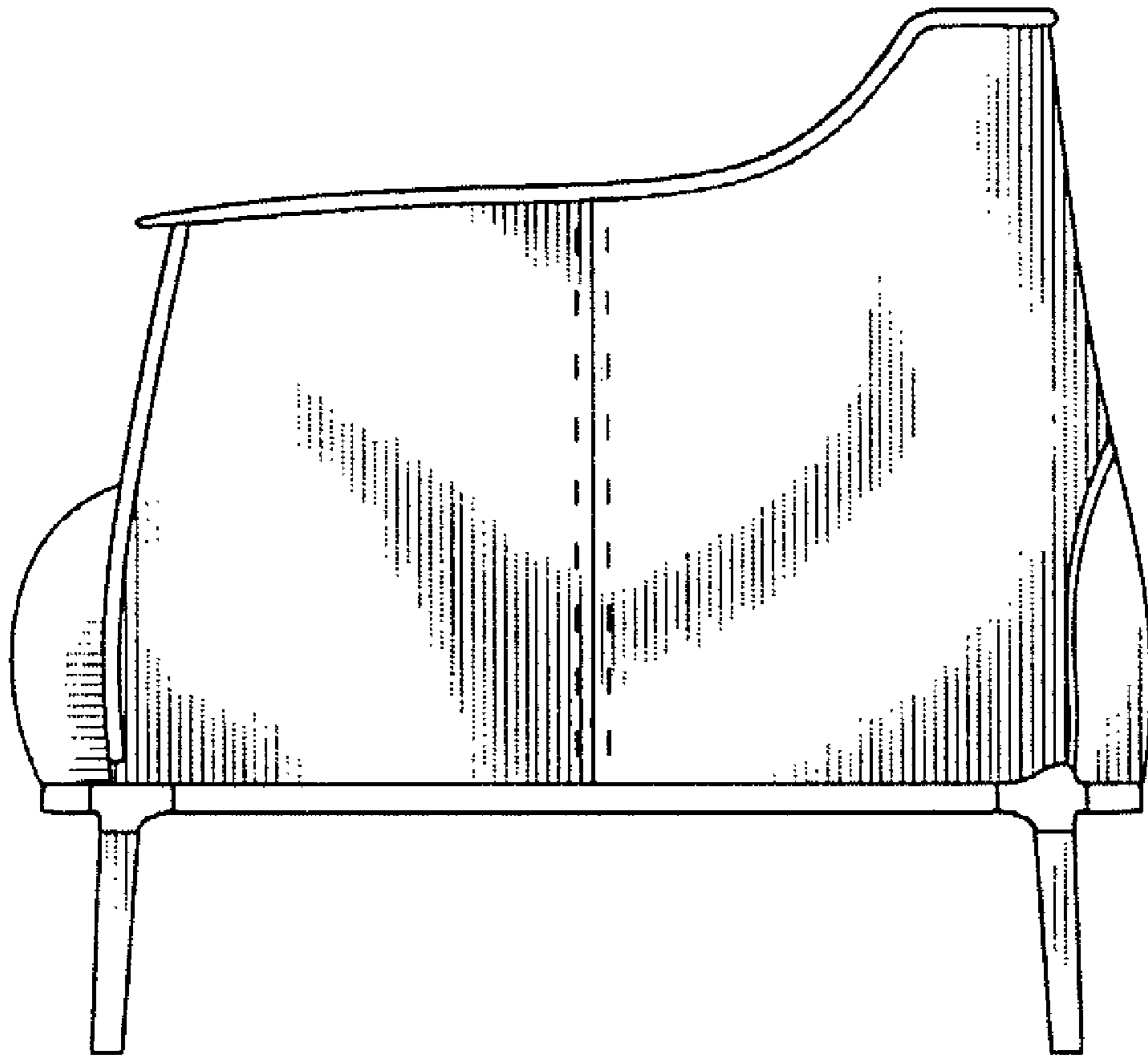


Fig.3

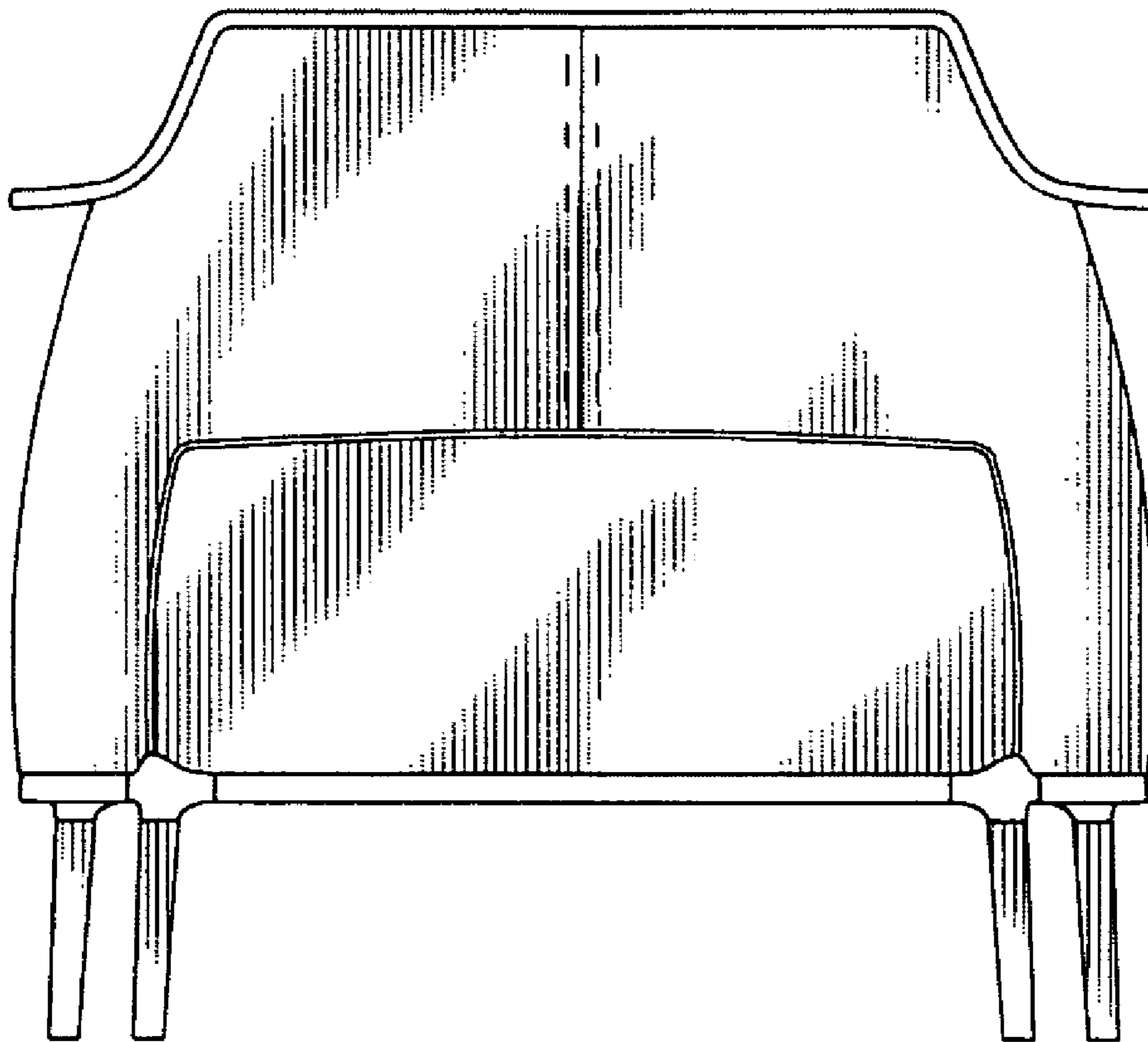


Fig.4

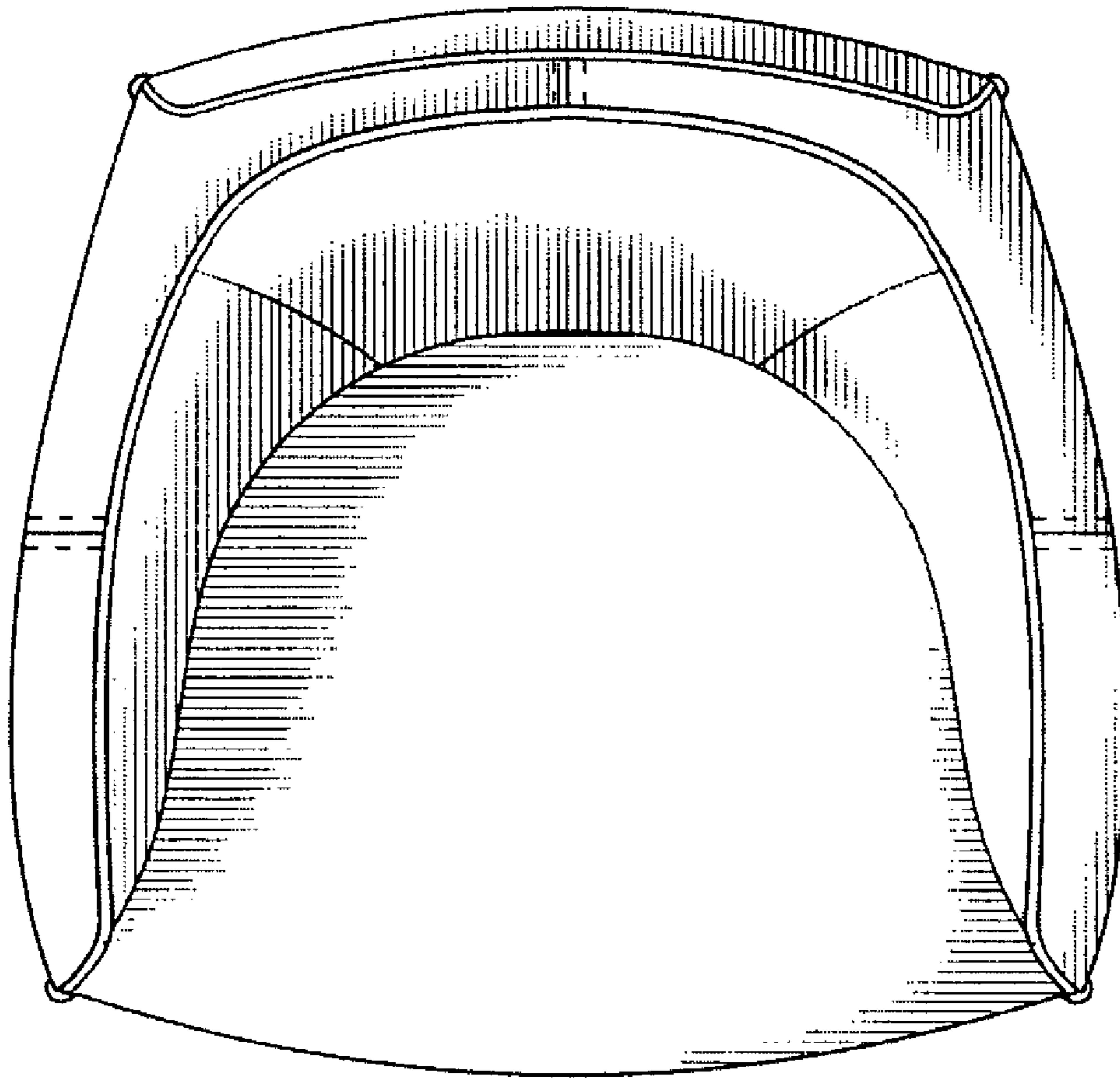


Fig.5

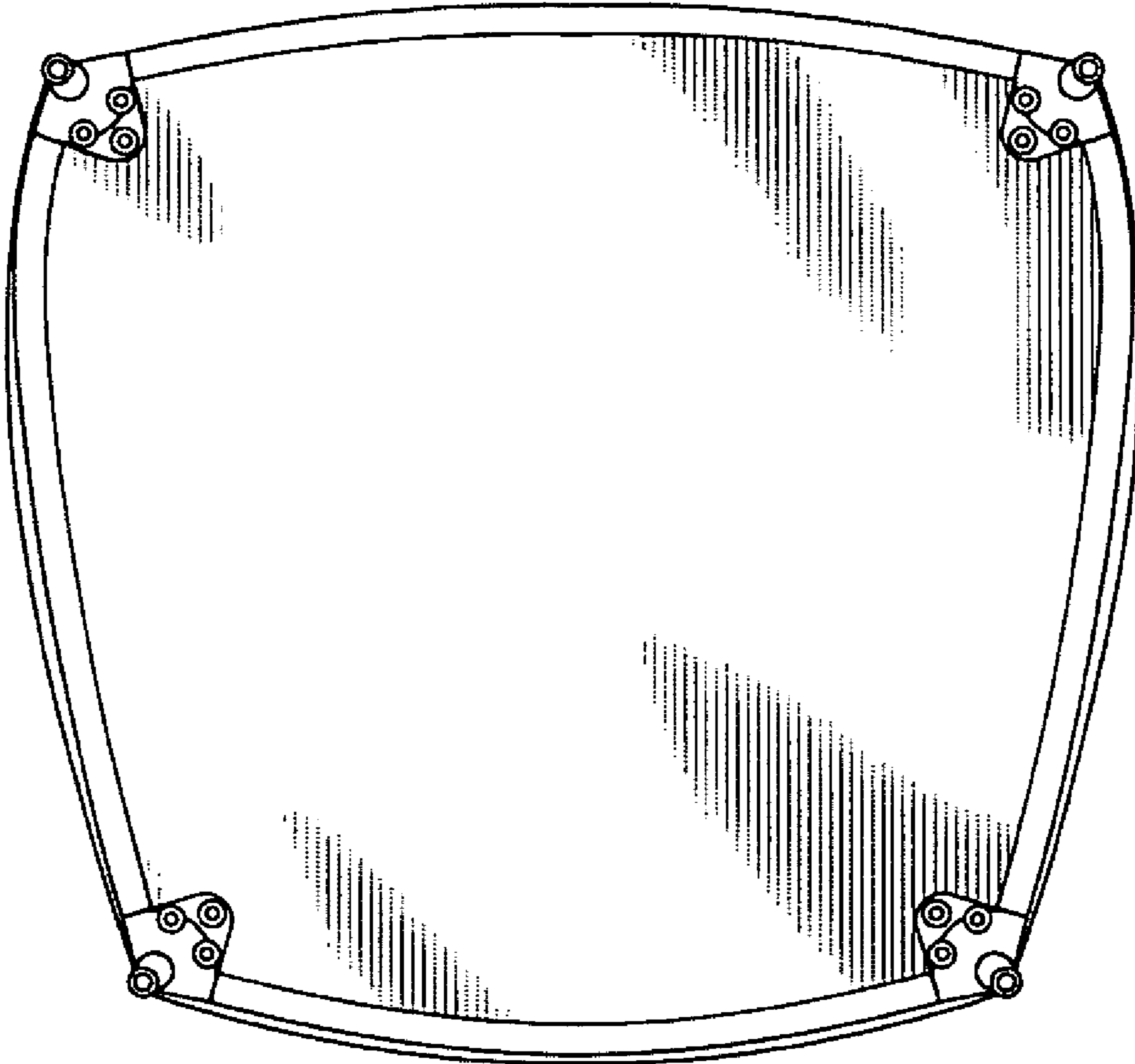


Fig.6

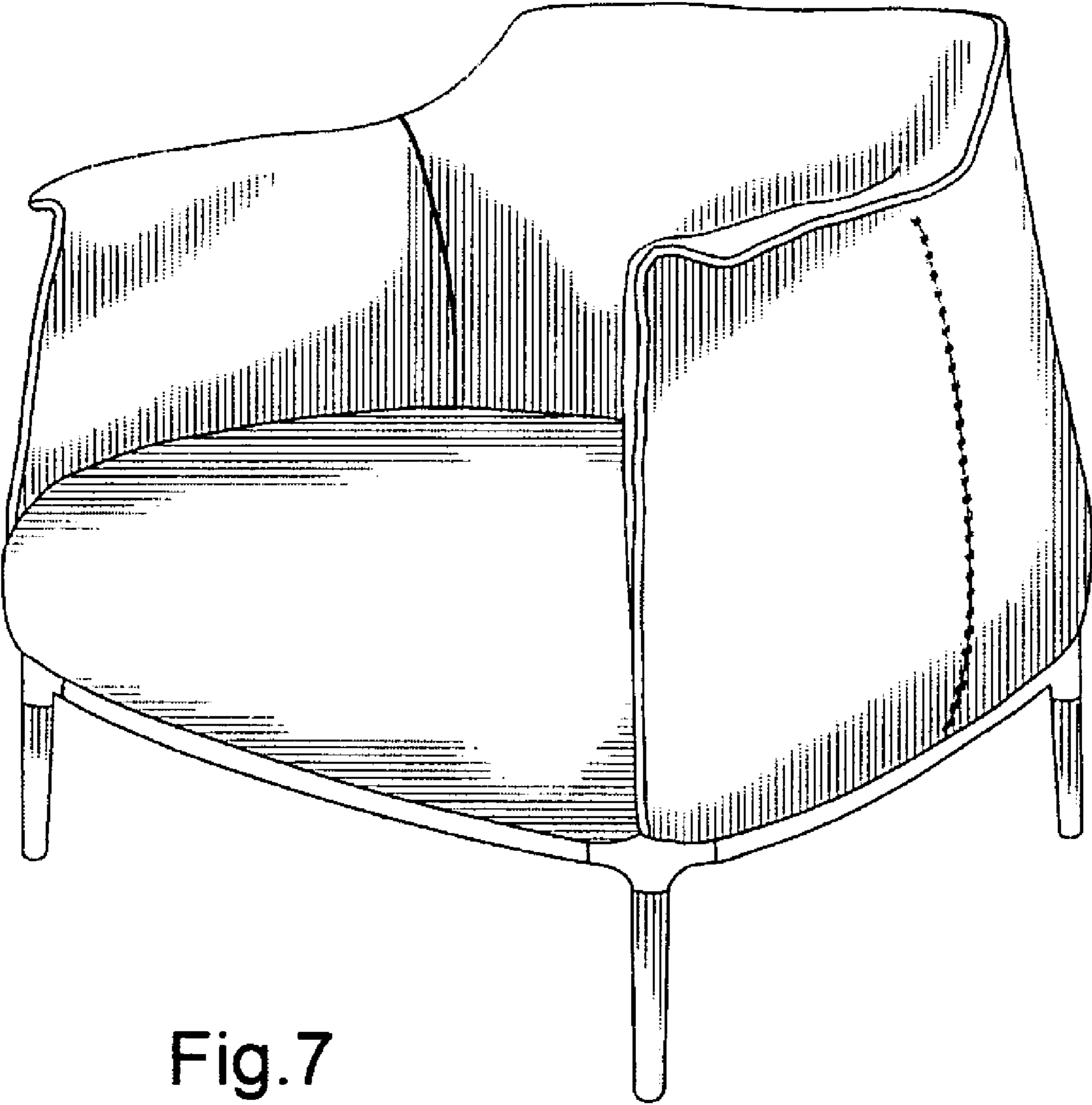


Fig. 7