



US00D633719S

(12) **United States Design Patent**
Koehn

(10) **Patent No.:** **US D633,719 S**

(45) **Date of Patent:** **** Mar. 8, 2011**

(54) **TOOLBOX INTERIOR**

(74) *Attorney, Agent, or Firm* — Shook, Hardy & Bacon L.L.P.

(75) **Inventor:** **Vincent G. Koehn**, Montezuma, KS (US)

(73) **Assignee:** **Montezuma Mfg., Inc.**, Montezuma, KS (US)

(57) **CLAIM**

The ornamental design for a toolbox interior, as shown and described.

(**) **Term:** **14 Years**

(21) **Appl. No.:** **29/360,809**

(22) **Filed:** **Apr. 30, 2010**

DESCRIPTION

(51) **LOC (9) Cl.** **03-01**

FIG. 1 is a top right perspective view of a toolbox interior of the present invention;

(52) **U.S. Cl.** **D3/318**

FIG. 2 is a top left perspective view thereof; and,

(58) **Field of Classification Search** D3/318,
D3/315, 372-273; 206/349, 372-373, 378-379;
312/244

FIG. 3 is a front elevation view thereof.

See application file for complete search history.

Rear, left and right elevation views, as well as top and bottom plan views, have been omitted as they do not form a portion of the claimed design and the claimed design is clearly understood and fully disclosed in the perspective and front views. The evenly spaced broken lines showing a tool box and portions of the insert are for the purposes of illustrating environment, and form no part of the claimed design.

(56) **References Cited**

U.S. PATENT DOCUMENTS

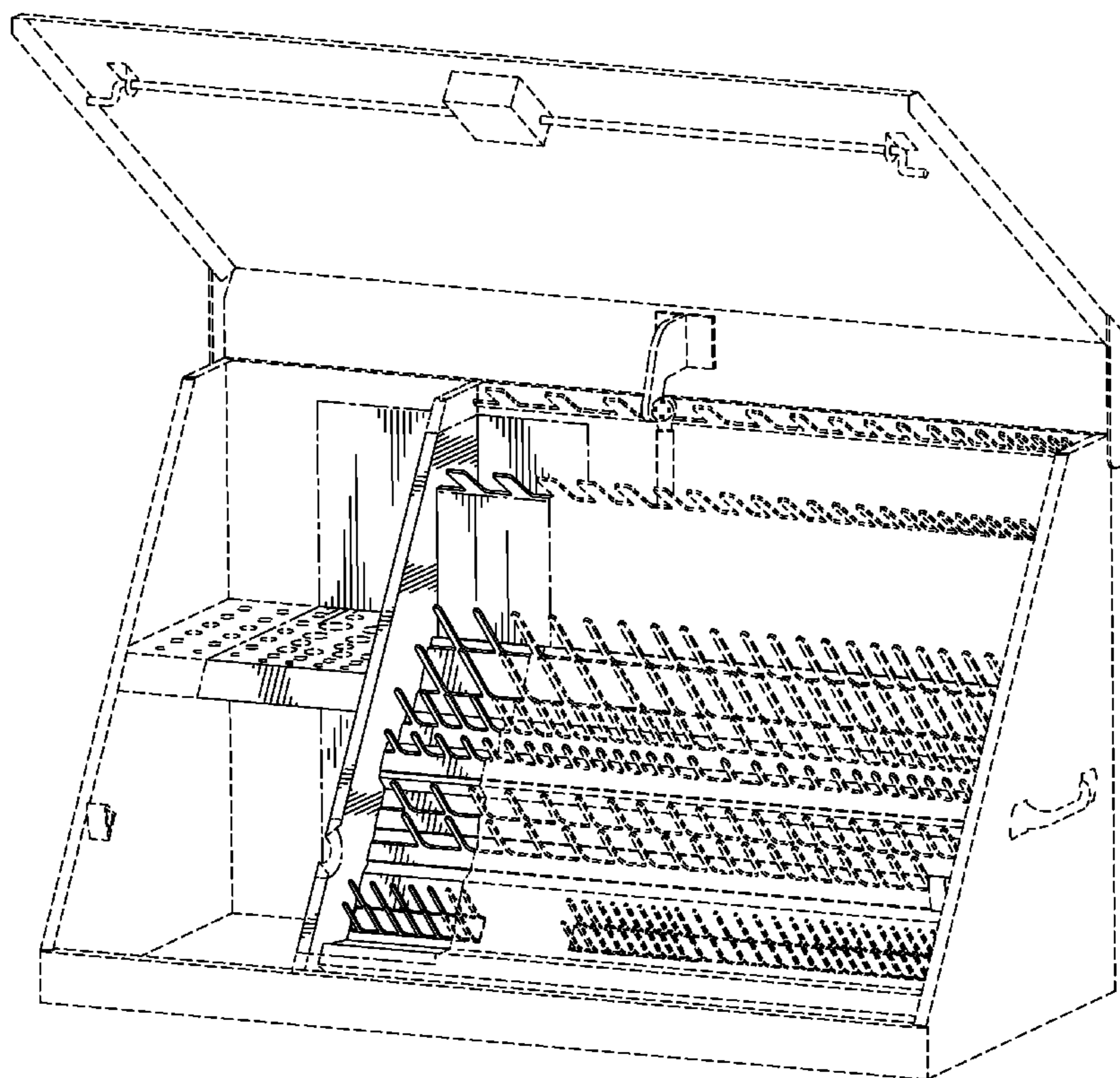
4,266,835	A	5/1981	Schmidt	
4,389,077	A	6/1983	Schmidt	
5,456,358	A	10/1995	Schmidt	
D432,790	S *	10/2000	Streich et al.	D3/318
D446,018	S *	8/2001	Streich et al.	D3/319
D583,152	S *	12/2008	Keeney	D3/301
7,510,078	B2	3/2009	Schmidt et al.	

The long and short broken lines are boundary lines which define the bounds of the claimed design. These boundaries do not exist in reality in the article embodying the design. It is understood that the claimed design extends to these boundaries but do not include the boundaries.

* cited by examiner

Primary Examiner — Holly H Baynham

1 Claim, 3 Drawing Sheets



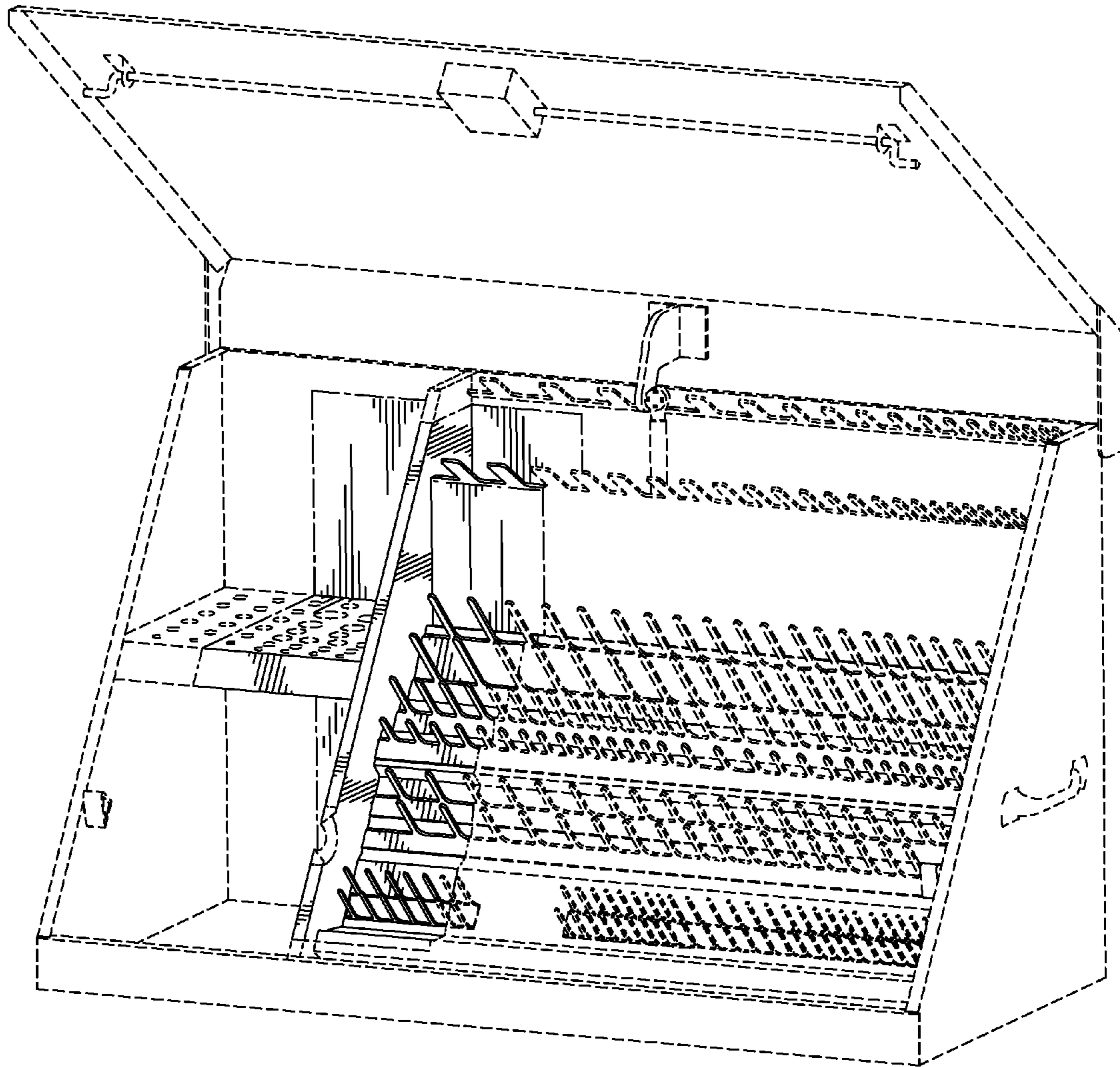


FIG. 1.

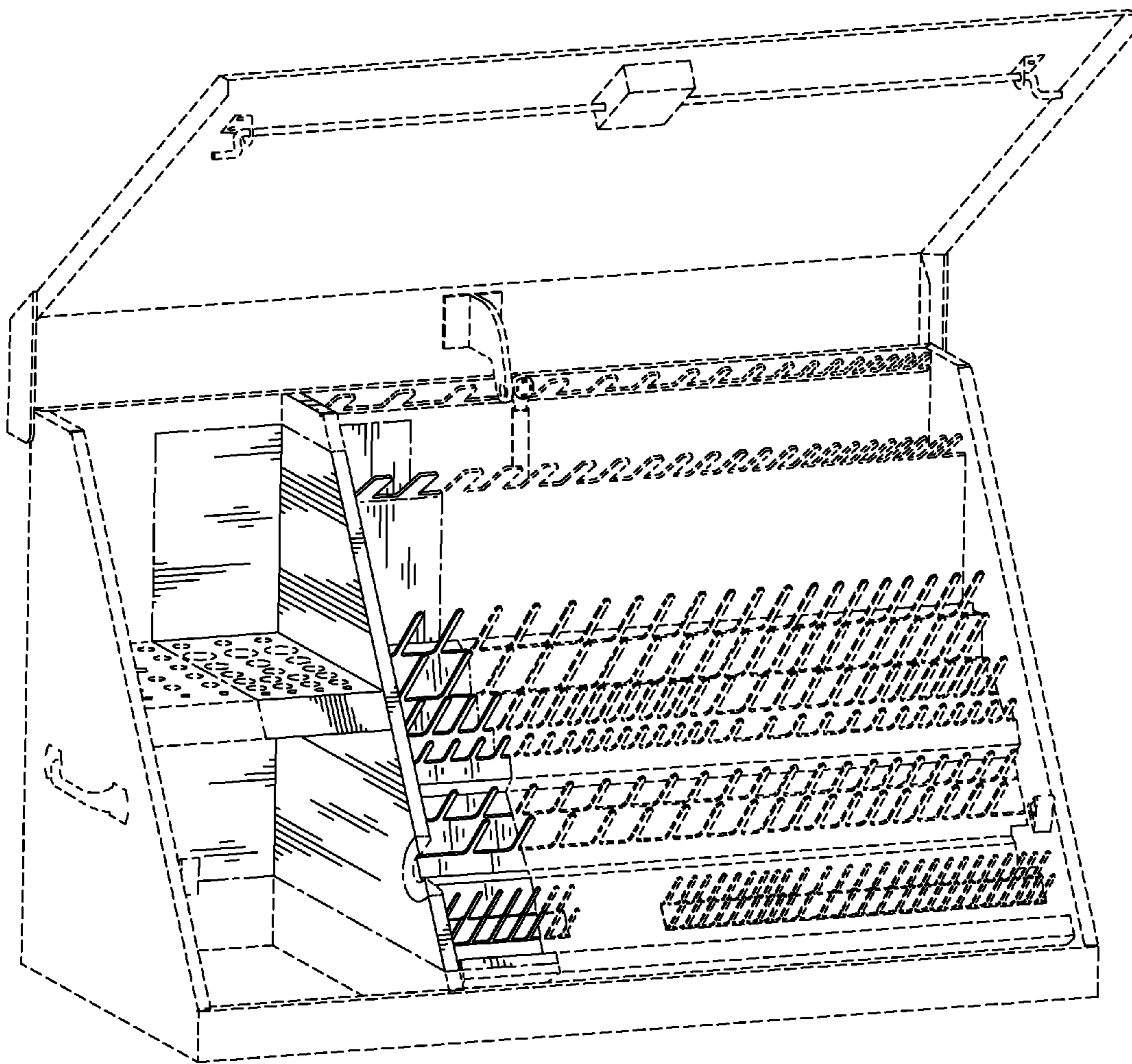


FIG. 2.

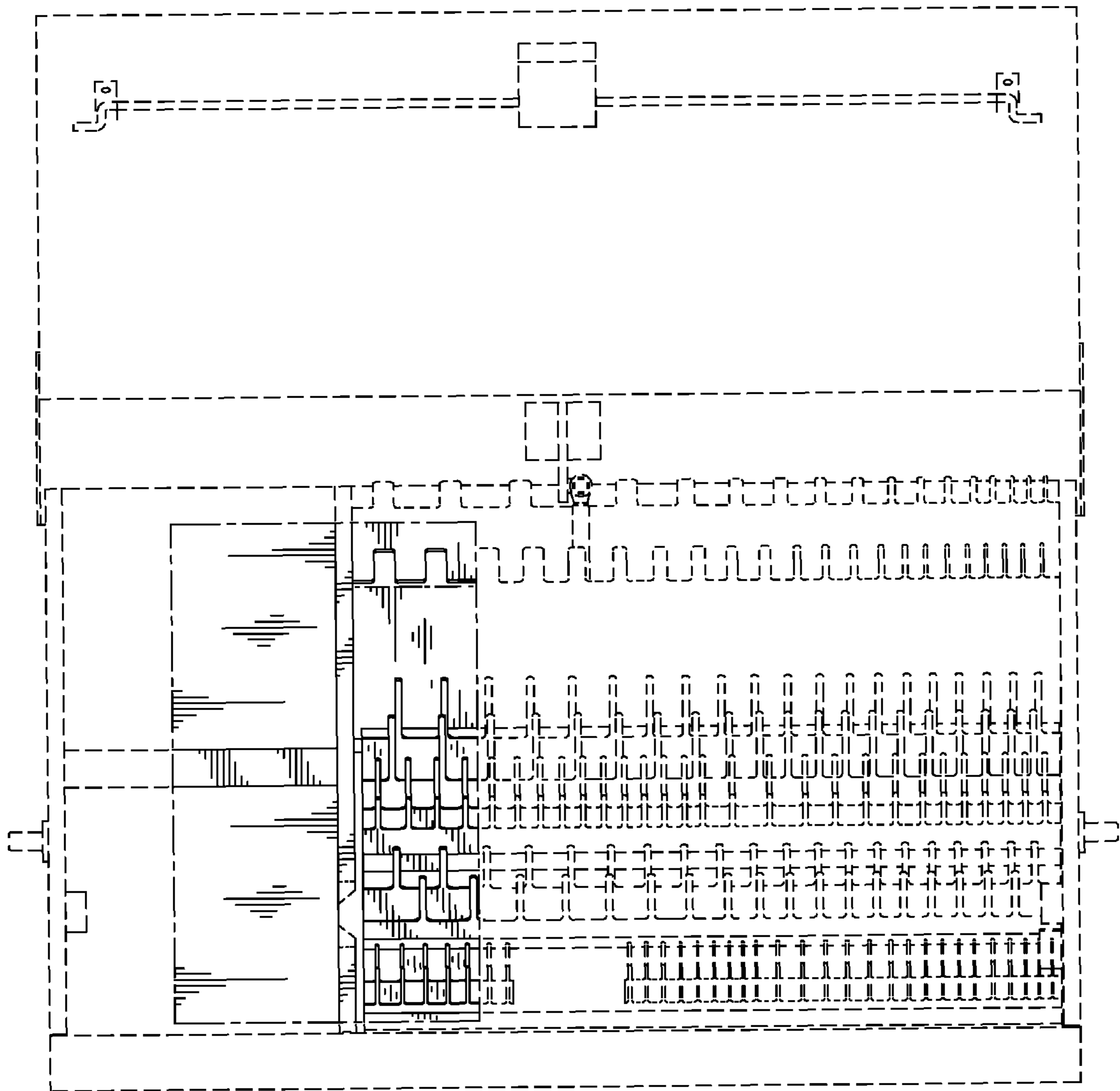


FIG. 3.