



US00D633718S

(12) **United States Design Patent**
McIntosh

(10) **Patent No.:** **US D633,718 S**

(45) **Date of Patent:** **** Mar. 8, 2011**

(54) **LUGGAGE ACCESSORY**

(56) **References Cited**

(76) **Inventor:** **Frederick G. McIntosh**, Chattanooga,
TN (US)

U.S. PATENT DOCUMENTS

2,624,431 A * 1/1953 Caro 16/408
D319,962 S * 9/1991 Cousins D8/306

(**) **Term:** **14 Years**

* cited by examiner

Primary Examiner — Holly H Baynham
(74) *Attorney, Agent, or Firm* — Stephen J. Stark; Miller & Martin PLLC

(21) **Appl. No.:** **29/355,884**

(57) **CLAIM**

The ornamental design for a luggage accessory, is shown and described.

(22) **Filed:** **Feb. 16, 2010**

DESCRIPTION

(51) **LOC (9) Cl.** **03-01**

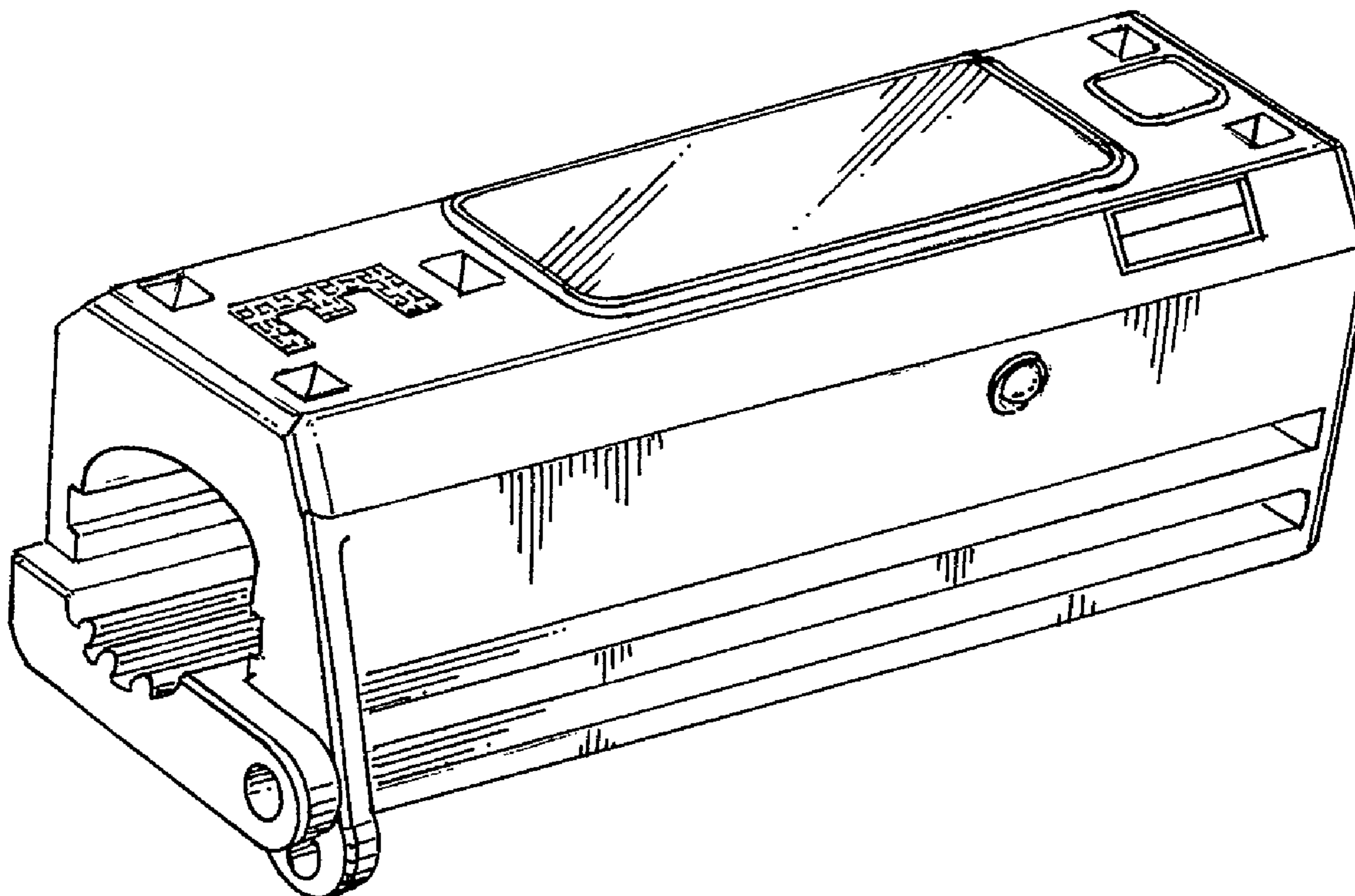
(52) **U.S. Cl.** **D3/318**

(58) **Field of Classification Search** D3/318,
D3/279, 272-273, 282-283; 190/81 A, 18 R,
190/24, 39, 115, 117, 119

FIG. 1 is a top perspective view of the luggage accessory;
FIG. 2 is a right side elevational view thereof;
FIG. 3 is a left side elevational view thereof;
FIG. 4 is a top elevational view thereof;
FIG. 5 is a front elevational view thereof;
FIG. 6 is a rear elevational view thereof; and,
FIG. 7 is a bottom elevational view thereof.

See application file for complete search history.

1 Claim, 3 Drawing Sheets



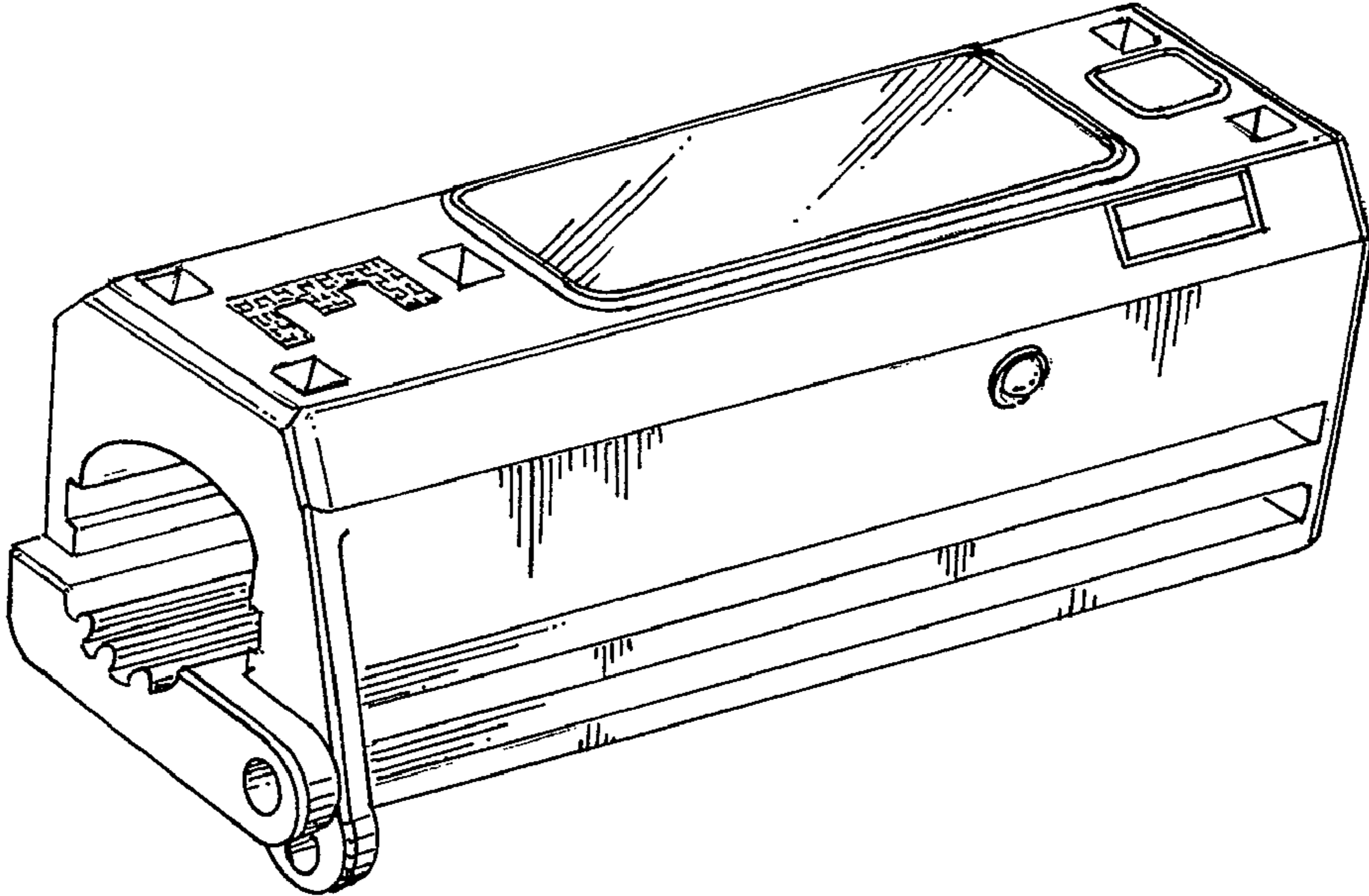


FIG. 1

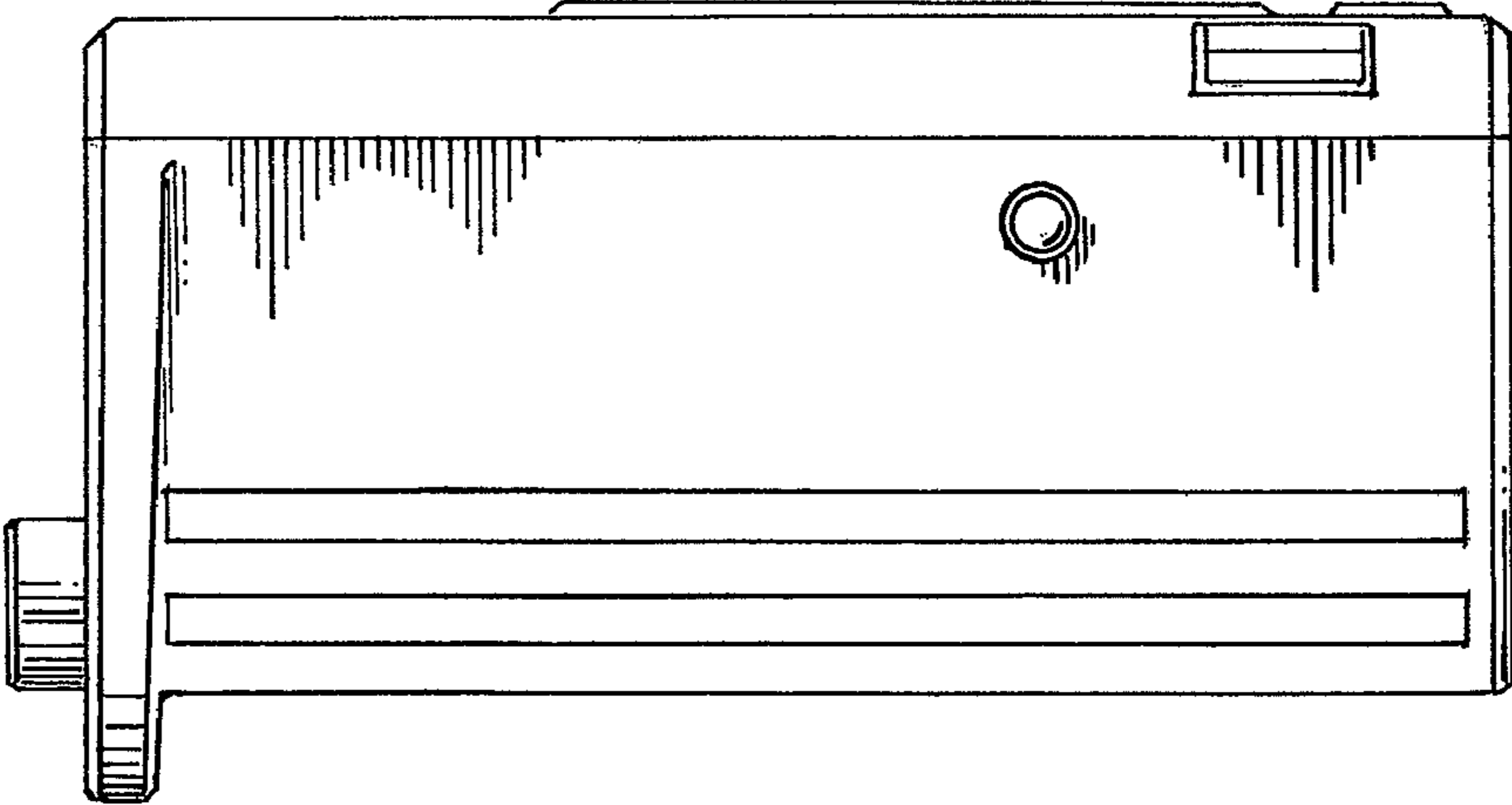


FIG. 2

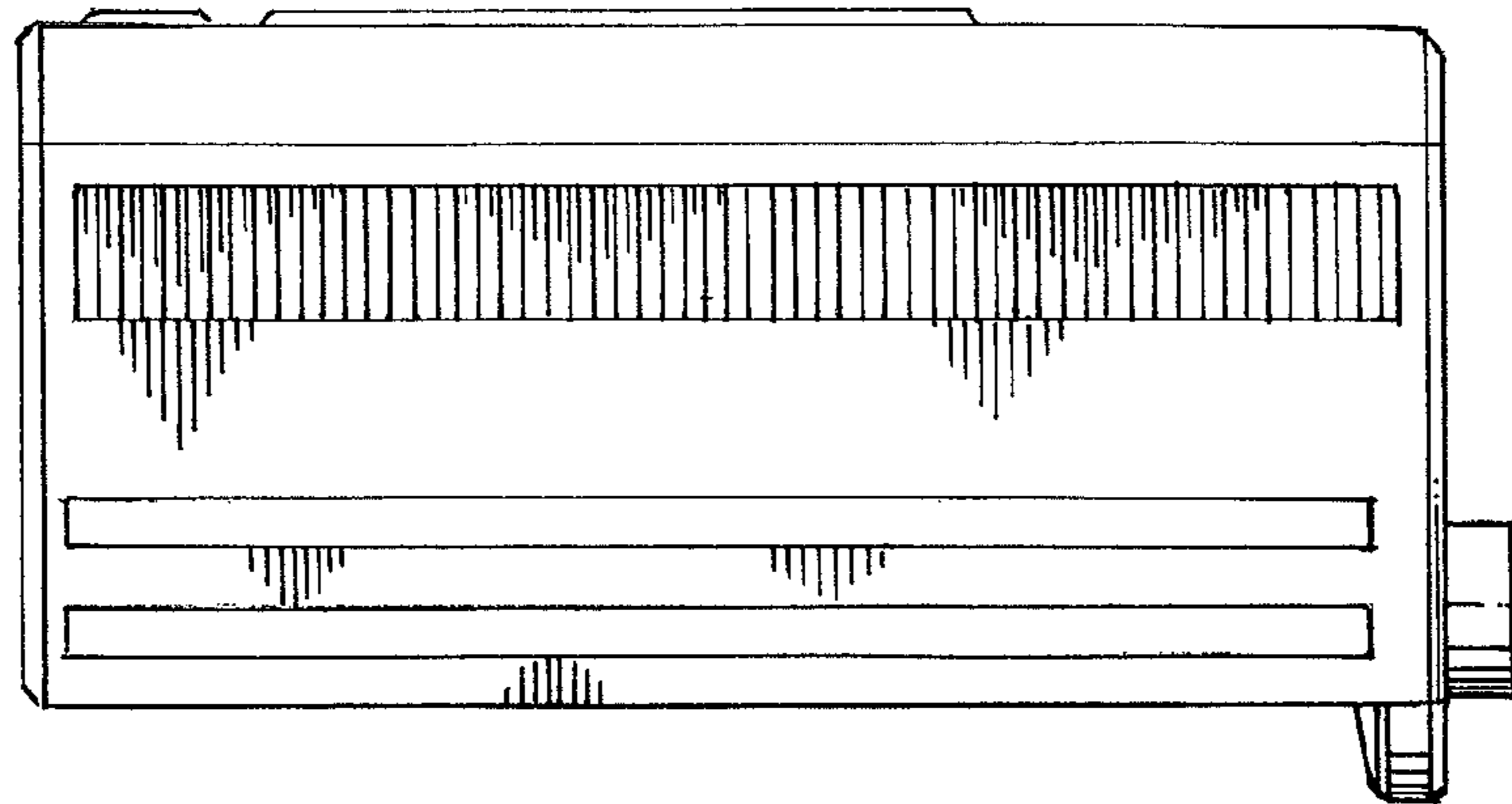


FIG. 3

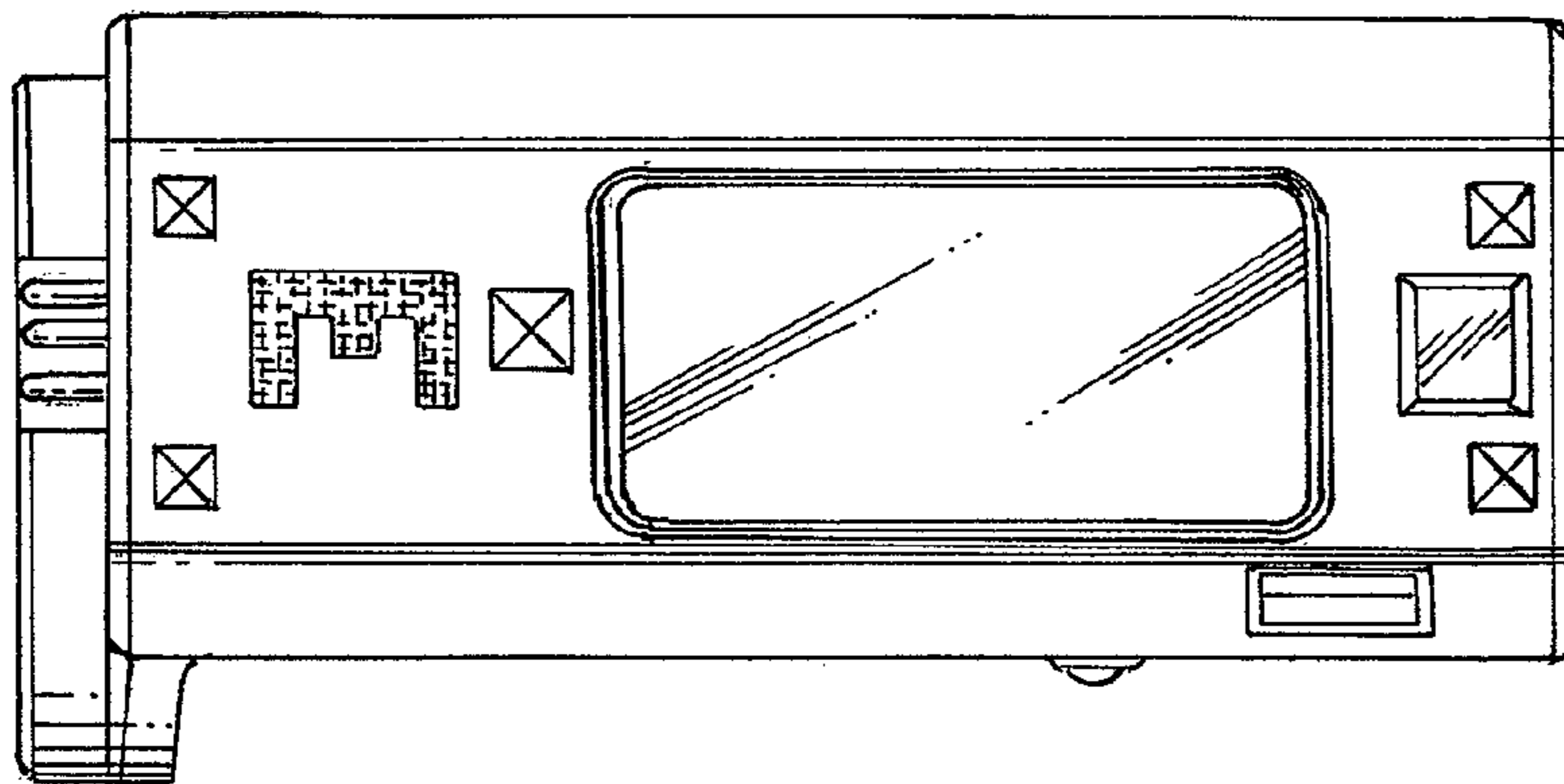


FIG. 4

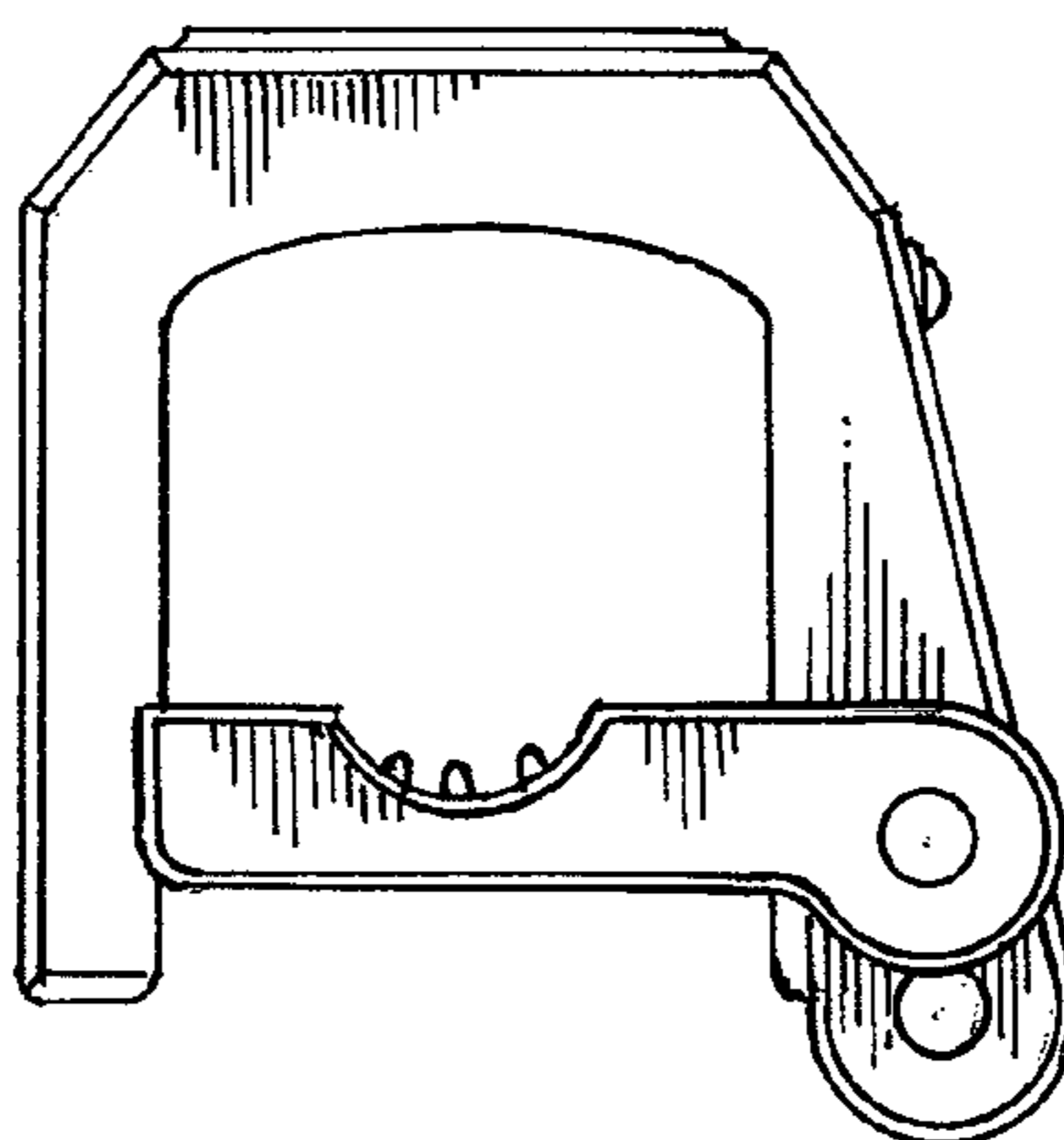


FIG. 5

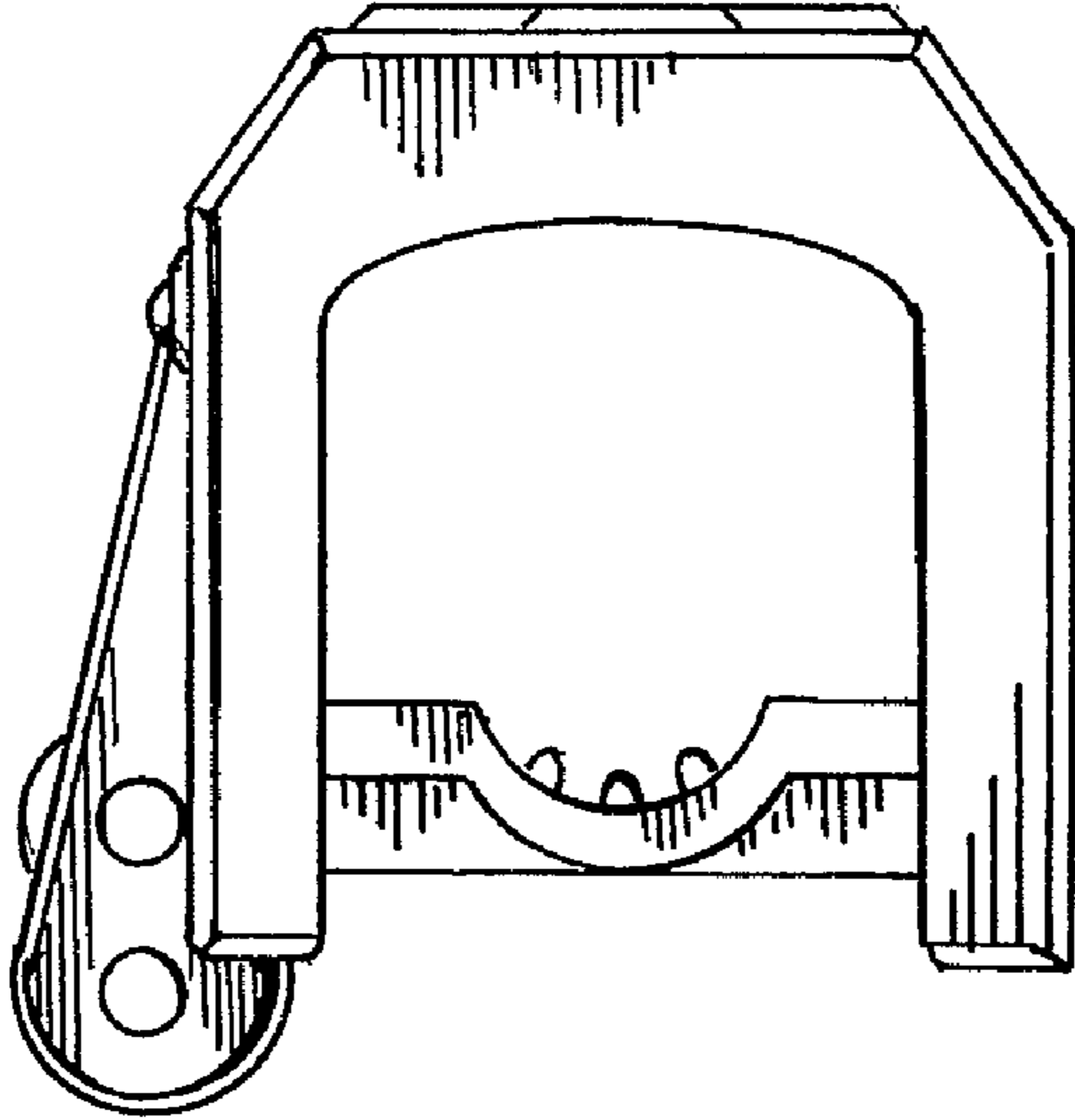


FIG. 6

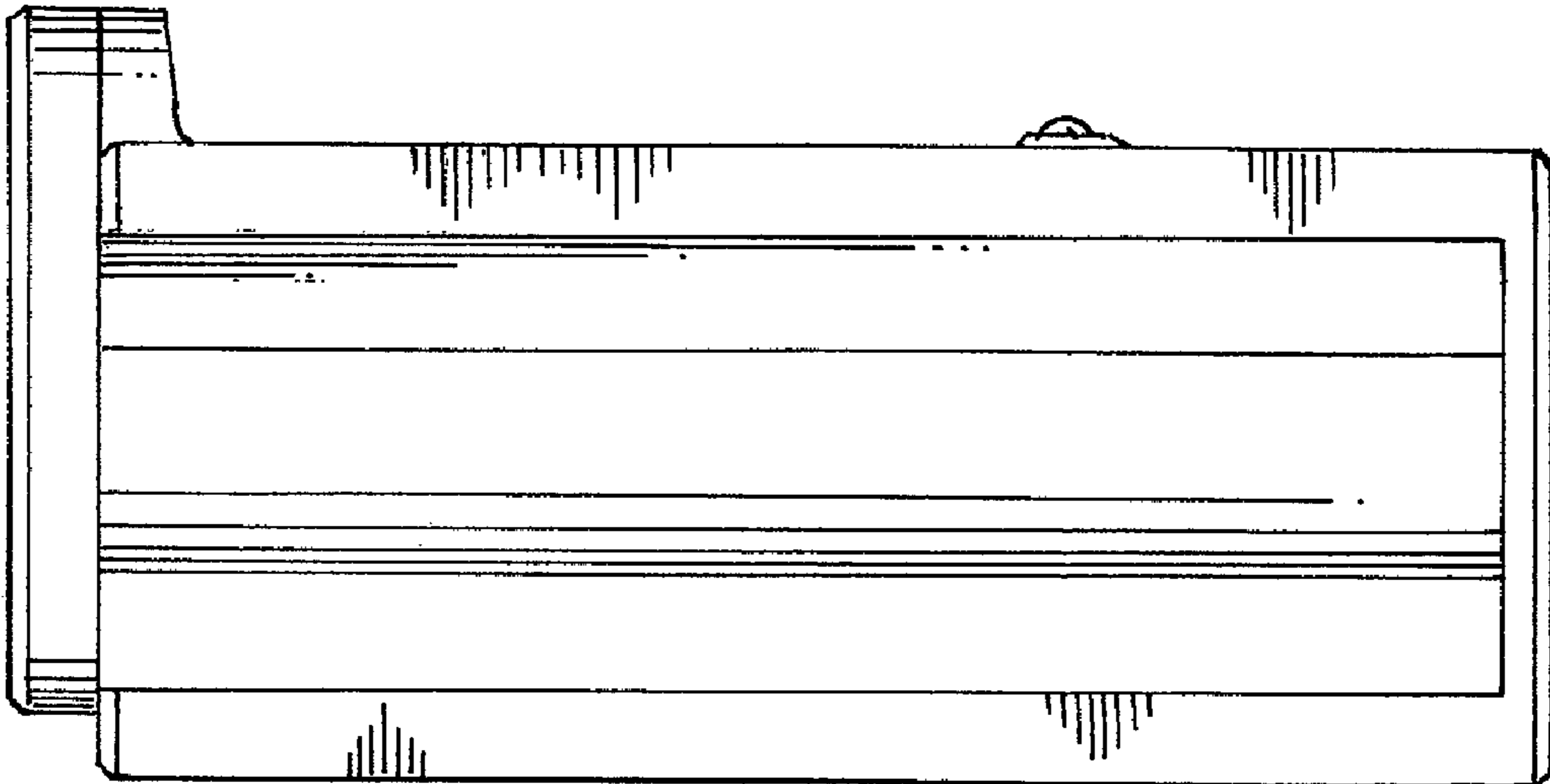


FIG. 7