



US00D633717S

(12) **United States Design Patent**
Searcy

(10) **Patent No.:** **US D633,717 S**
(45) **Date of Patent:** **** Mar. 8, 2011**

(54) **UTILITY ORGANIZER**

(76) Inventor: **Marilyn A. Searcy**, Ripon, CA (US)

(**) Term: **14 Years**

(21) Appl. No.: **29/362,415**

(22) Filed: **May 25, 2010**

(51) **LOC (9) Cl.** **03-01**

(52) **U.S. Cl.** **D3/310**

(58) **Field of Classification Search** D3/304,
D3/307-314, 315; D9/432, 741; D19/75,
D19/77, 85; 206/371-373, 504; 211/10-11,
211/13.1, 45, 50, 55, 126.9; D6/512, 515,
D6/569

See application file for complete search history.

(56) **References Cited**

U.S. PATENT DOCUMENTS

D296,398	S	*	6/1988	Cugley	D6/476
5,092,480	A	*	3/1992	Waterston	220/23.4
D327,148	S	*	6/1992	Alessi	D32/54
D346,054	S	*	4/1994	Spangler	D32/54
D355,544	S	*	2/1995	Cartwright	D6/469
5,409,127	A	*	4/1995	Stratford et al.	220/23.4
D370,681	S	*	6/1996	Diamond	D14/252
D381,229	S	*	7/1997	Yemini	D6/525
5,810,187	A	*	9/1998	Woodring	220/23.86
D404,231	S	*	1/1999	Woodring	D6/510
D411,768	S	*	7/1999	Woodring	D3/314
D418,056	S	*	12/1999	Johnson	D9/431
D419,737	S	*	1/2000	Searcy	D32/54
D422,261	S	*	4/2000	Basso et al.	D12/420
D447,303	S	*	8/2001	Howard et al.	D34/1

D458,723	S	*	6/2002	Malvasio	D32/53.1
D481,572	S	*	11/2003	Dretzka	D6/534
D532,236	S	*	11/2006	Dretzka	D6/567
D538,091	S	*	3/2007	Roth	D6/534
D557,047	S	*	12/2007	Dretzka	D6/510
D578,264	S	*	10/2008	Lundy et al.	D32/53.1
D597,751	S	*	8/2009	Cohen	D6/335
D602,693	S	*	10/2009	McClees	D3/304
D607,623	S	*	1/2010	Hagen	D32/53

* cited by examiner

Primary Examiner—Elizabeth A Albert

Assistant Examiner—Kelley A Donnelly

(74) *Attorney, Agent, or Firm*—Randick O’Dea & Tooliatos, LLP; John Nielsen

(57) **CLAIM**

The ornamental design for a utility organizer, as shown and described.

DESCRIPTION

FIG. 1 is a top view of the invention;

FIG. 2 is a front view of the invention;

FIG. 3 is a perspective view of the invention;

FIG. 4 is a rear view of the invention; and

FIG. 5 is a bottom view of the invention.

FIG. 6 is a side view of the invention; and,

FIG. 7 is a side view of the invention.

The broken lines are for the purpose of illustrating the environment of the design only and form no part of the claimed design.

1 Claim, 4 Drawing Sheets

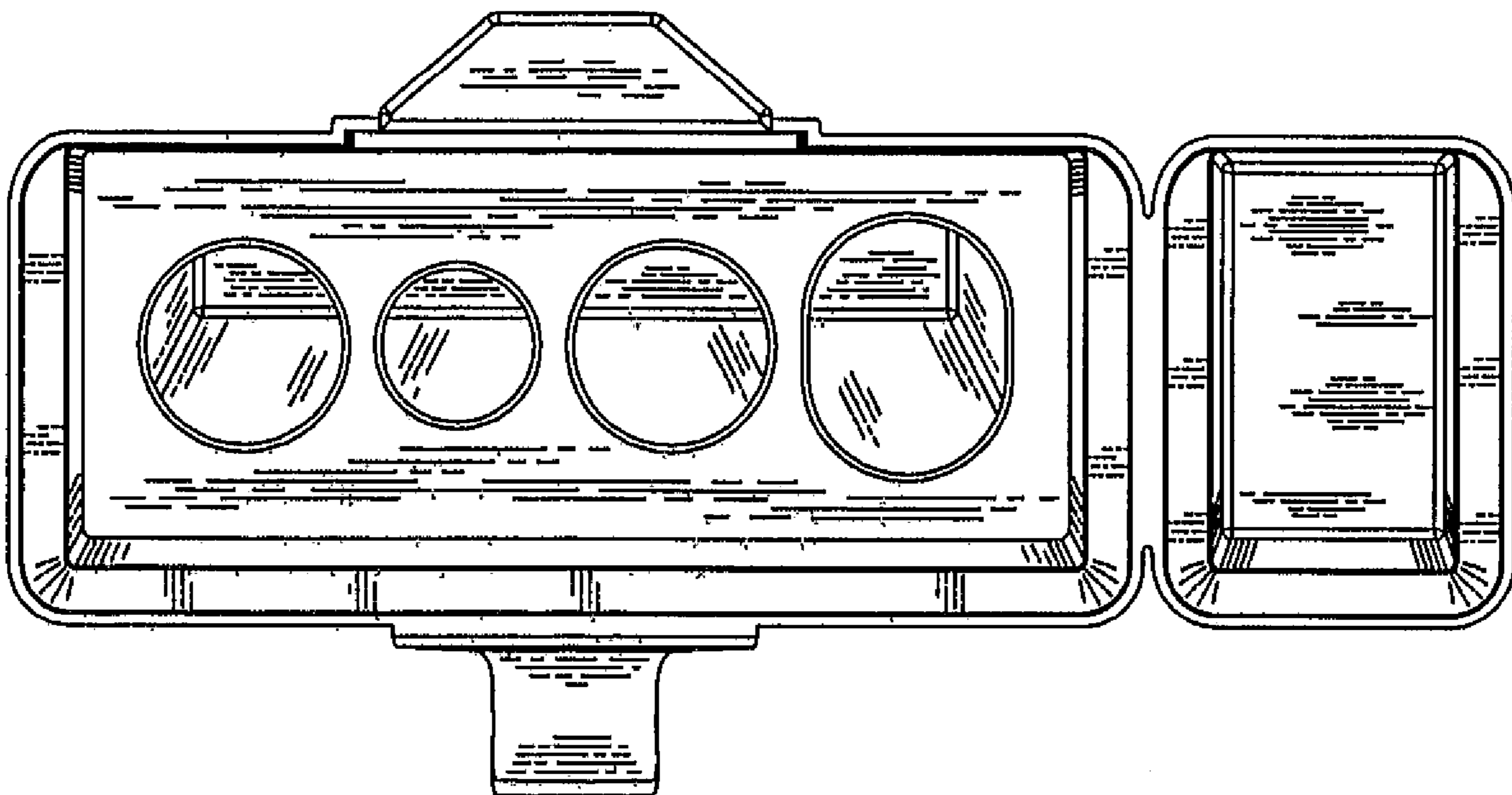


FIG. 1

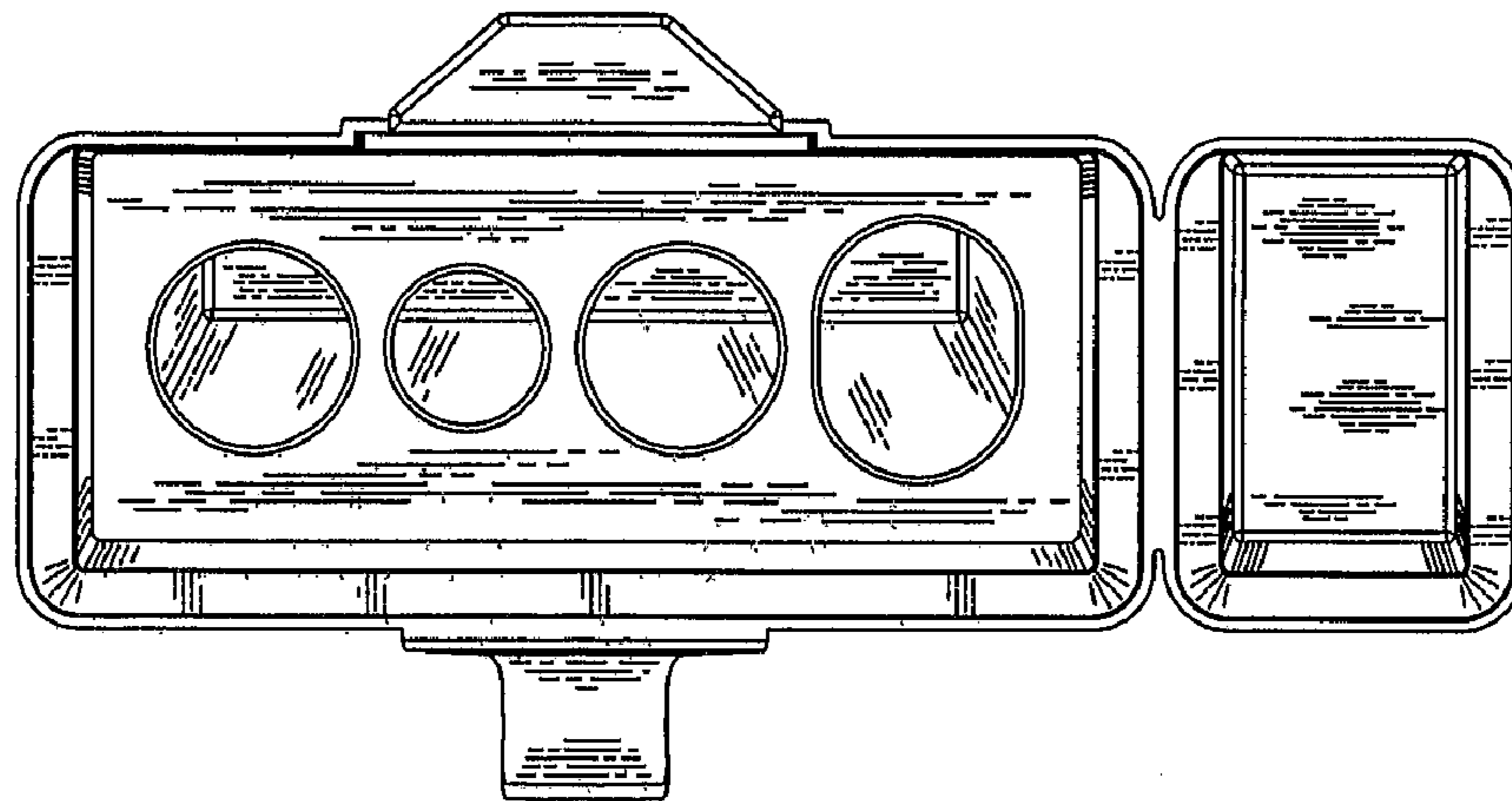


FIG. 2

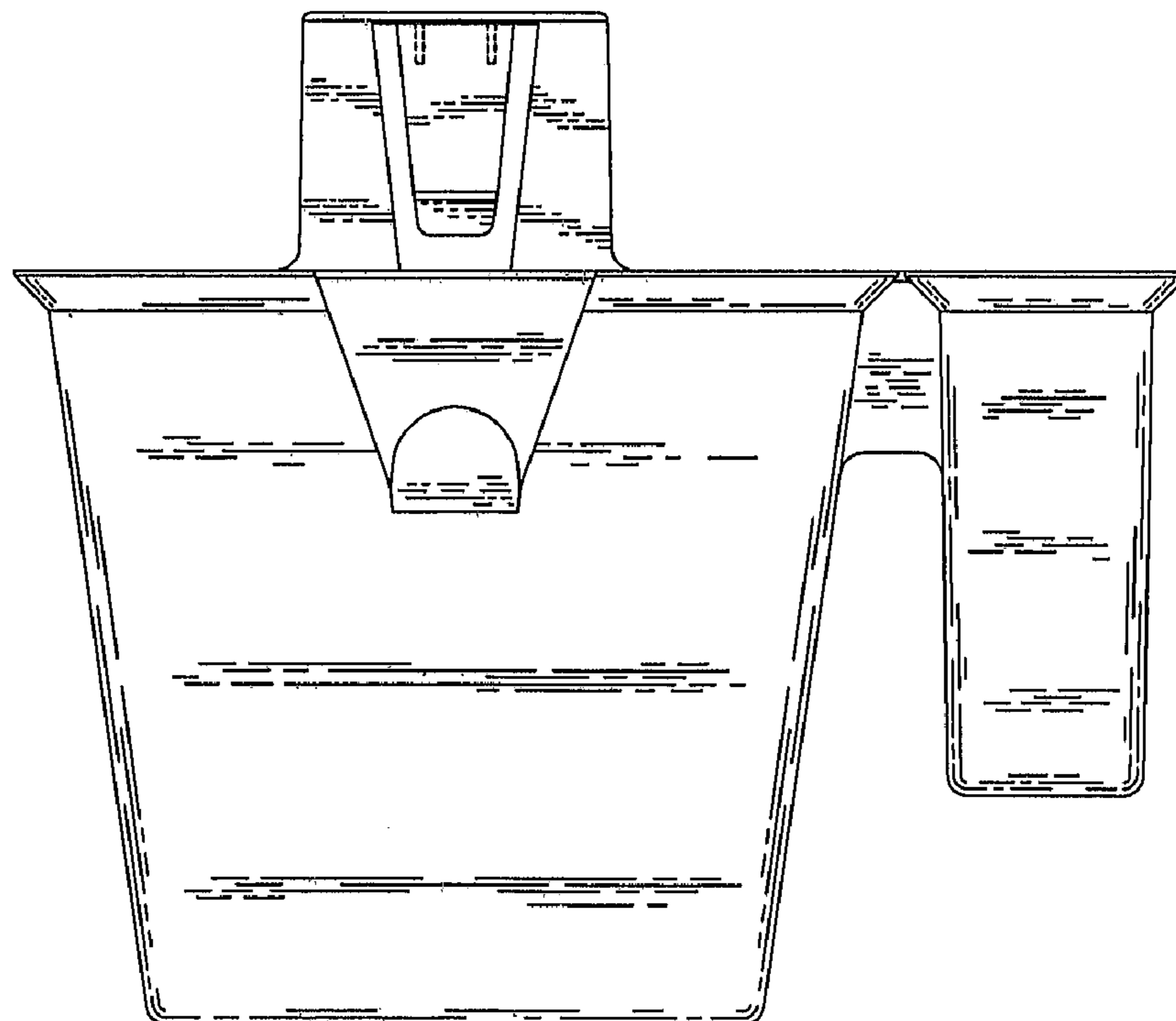


FIG. 3

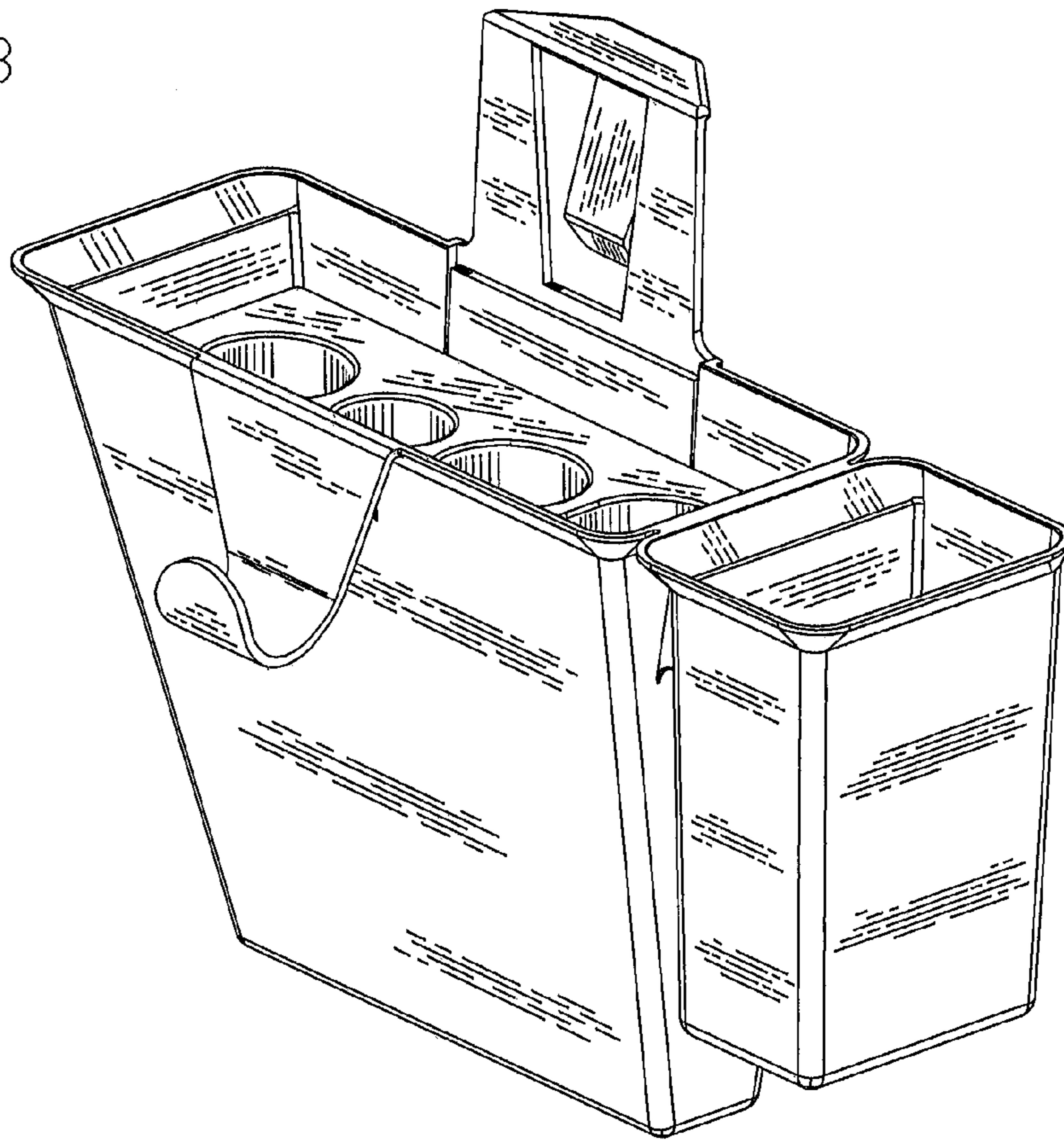


FIG. 4

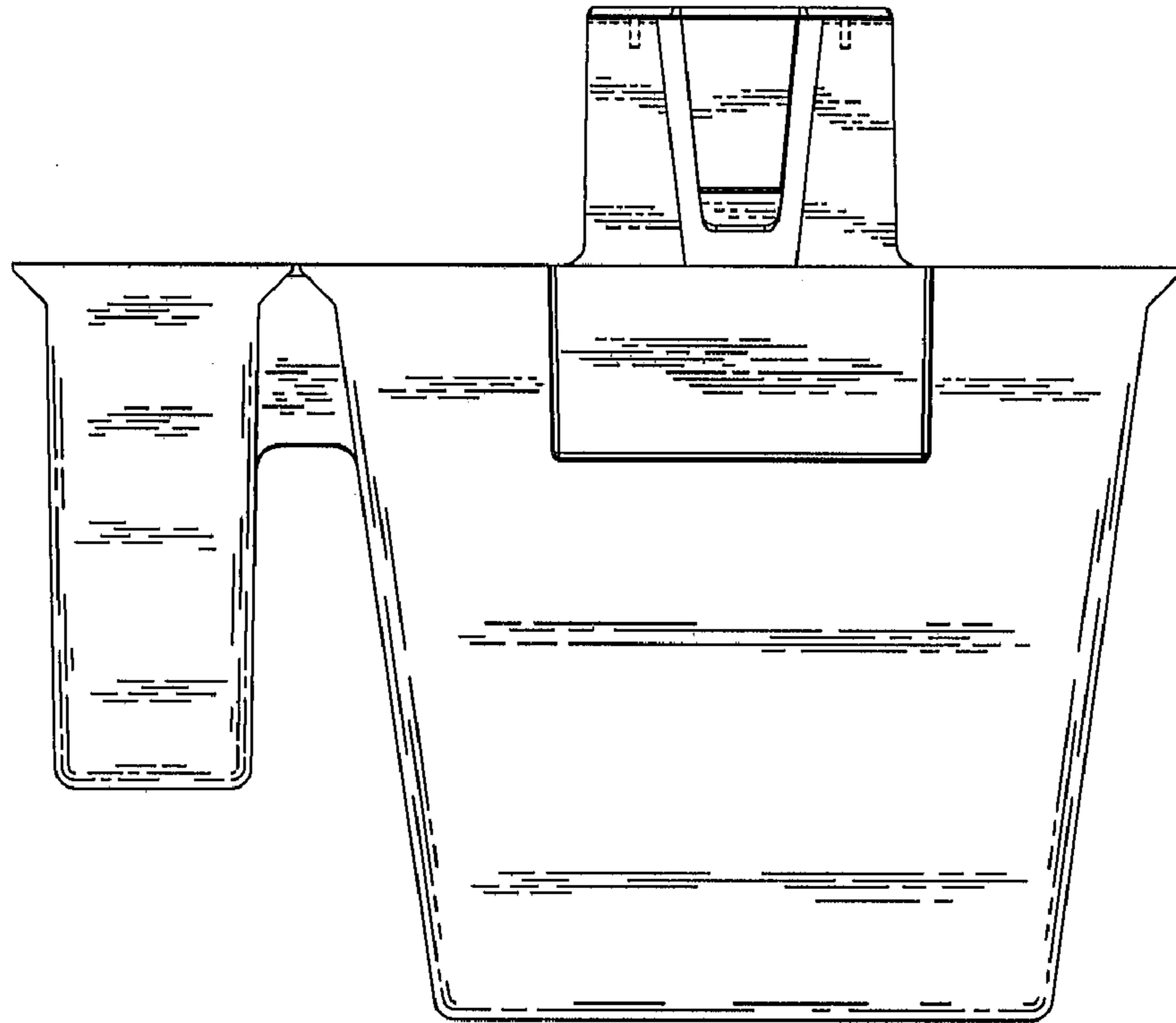
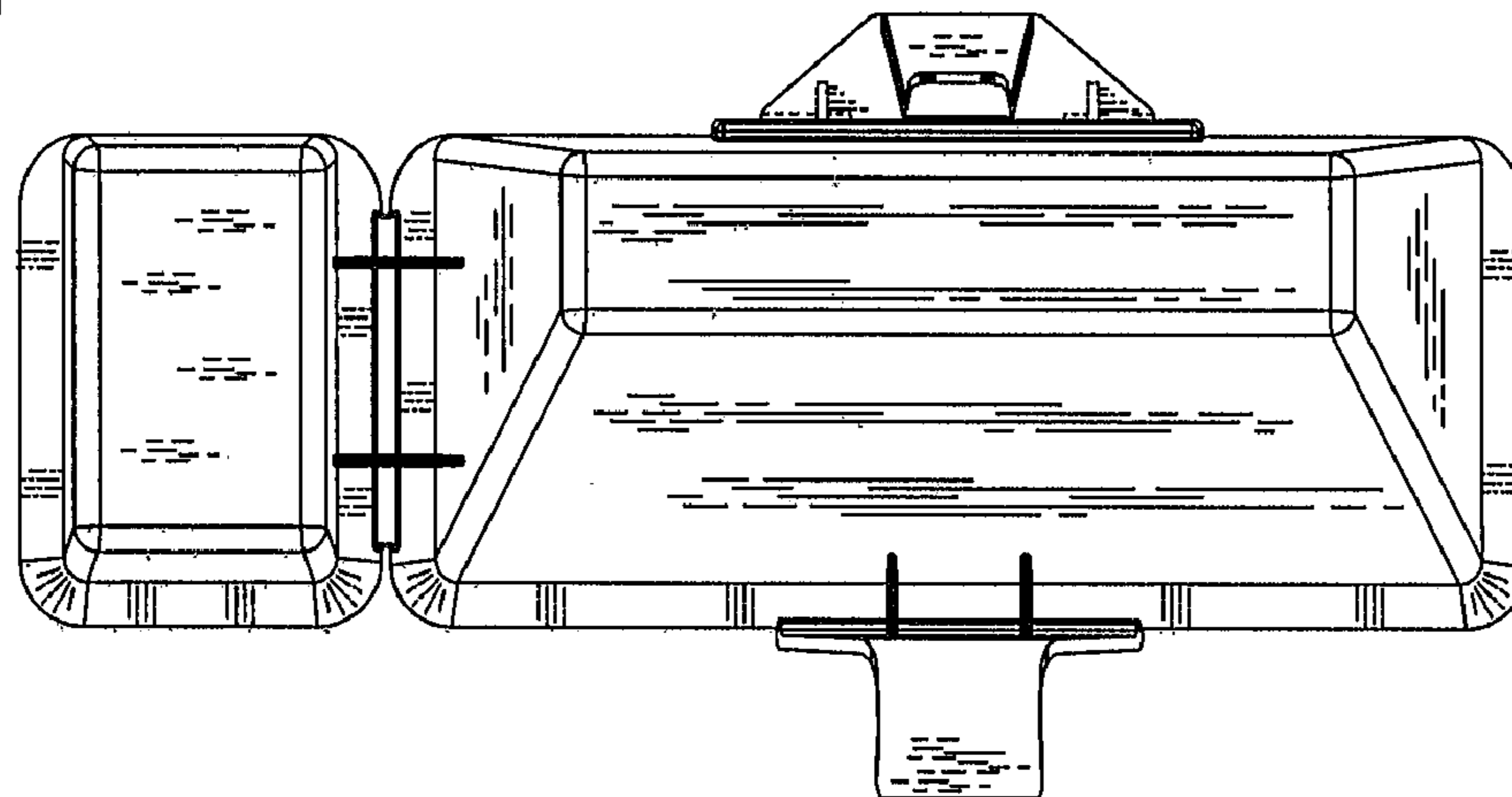


FIG. 5



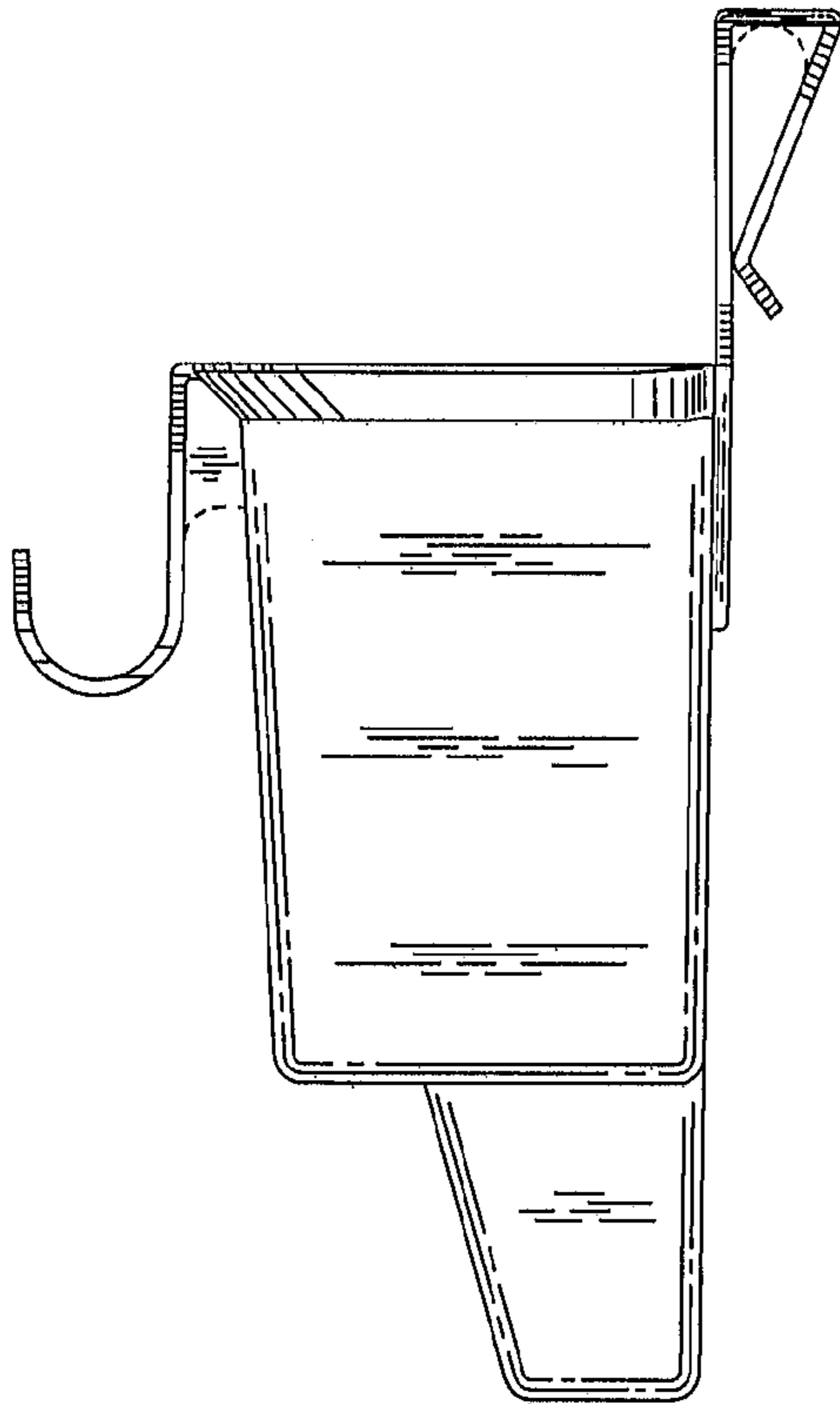


FIG. 6

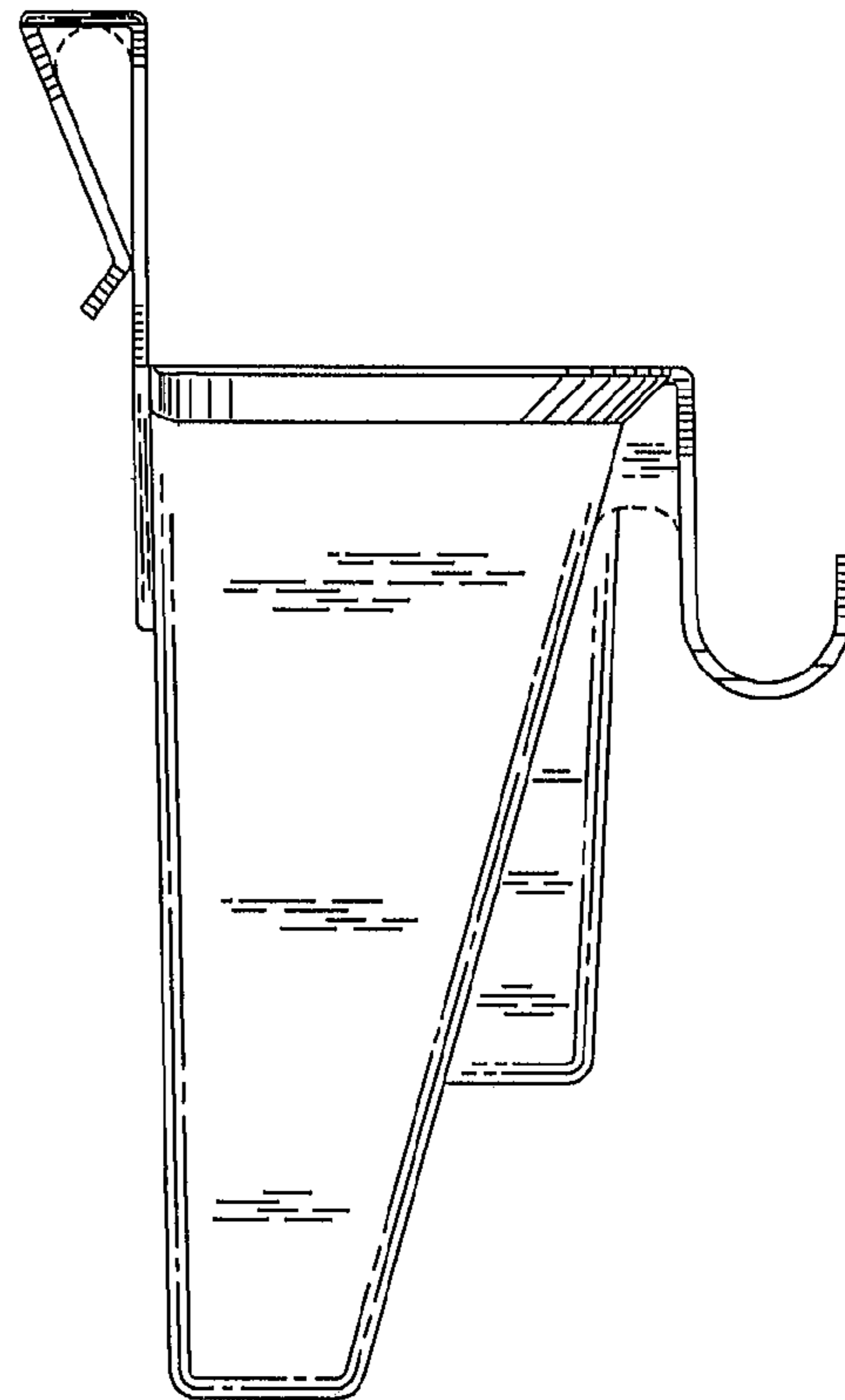


FIG. 7