

US00D633714S

(12) **United States Design Patent**  
**Marshall**

(10) **Patent No.:** **US D633,714 S**  
(45) **Date of Patent:** **\*\* Mar. 8, 2011**

(54) **COMBINED SPORTS WALLET AND ARM BAND**

(76) Inventor: **Gary Marshall**, Mt. Pleasant, TX (US)

(\*\*) Term: **14 Years**

(21) Appl. No.: **29/369,372**

(22) Filed: **Sep. 7, 2010**

**Related U.S. Application Data**

(63) Continuation of application No. 29/335,650, filed on Apr. 17, 2009, now Pat. No. Des. 622,957.

(51) **LOC (9) Cl.** ..... **03-01**

(52) **U.S. Cl.** ..... **D3/247**

(58) **Field of Classification Search** ..... D3/247-253;  
150/130-132

See application file for complete search history.

(56) **References Cited**

**U.S. PATENT DOCUMENTS**

D501,718 S *	2/2005	Brown	.....	D3/247
D517,803 S *	3/2006	Brown	.....	D3/247
D550,454 S *	9/2007	Costello	.....	D3/247
D553,856 S *	10/2007	Shum	.....	D3/247

\* cited by examiner

*Primary Examiner* — Holly H Baynham

(57) **CLAIM**

The ornamental design for a combined sports wallet and arm band, as shown and described.

**DESCRIPTION**

FIG. 1 is a perspective view of a new, original and ornamental design for a combined sports wallet and arm band in accordance with the present disclosure;

FIG. 2 is a front elevation view of a combined sports wallet and arm band shown in FIG. 1;

FIG. 3 is a rear elevation view of a combined sports wallet and arm band shown in FIG. 1;

FIG. 4 is a bottom plan view of a combined sports wallet and arm band shown in FIG. 1;

FIG. 5 is a top plan view of a combined sports wallet and arm band shown in FIG. 1;

FIG. 6 is a right side elevation view of a combined sports wallet and arm band shown in FIG. 1;

FIG. 7 is a left side elevation view of a combined sports wallet and arm band shown in FIG. 1;

FIG. 8 is an open view of a combined sports wallet and arm band shown in FIG. 1 showing the inside of the combined sports wallet and arm band;

FIG. 9 is an open view of a combined sports wallet and arm band shown in FIG. 1 showing the inside of the combined sports wallet and arm band;

FIG. 10 is an open view of a combined sports wallet and arm band shown in FIG. 1 showing the outside of the combined sports wallet and arm band;

FIG. 11 is a left side elevation view of a combined sports wallet and arm band shown in FIG. 1;

FIG. 12 is a right side view of a combined sports wallet and arm band shown in FIG. 1;

FIG. 13 is a left side elevation view of a combined sports wallet and arm band shown in FIG. 1; and,

FIG. 14 is a right side view of a combined sports wallet and arm band shown in FIG. 1.

The broken line showing of portions of the wallet and stitching is included for the purpose of illustrating environment and forms no part of the claimed design.

**1 Claim, 8 Drawing Sheets**

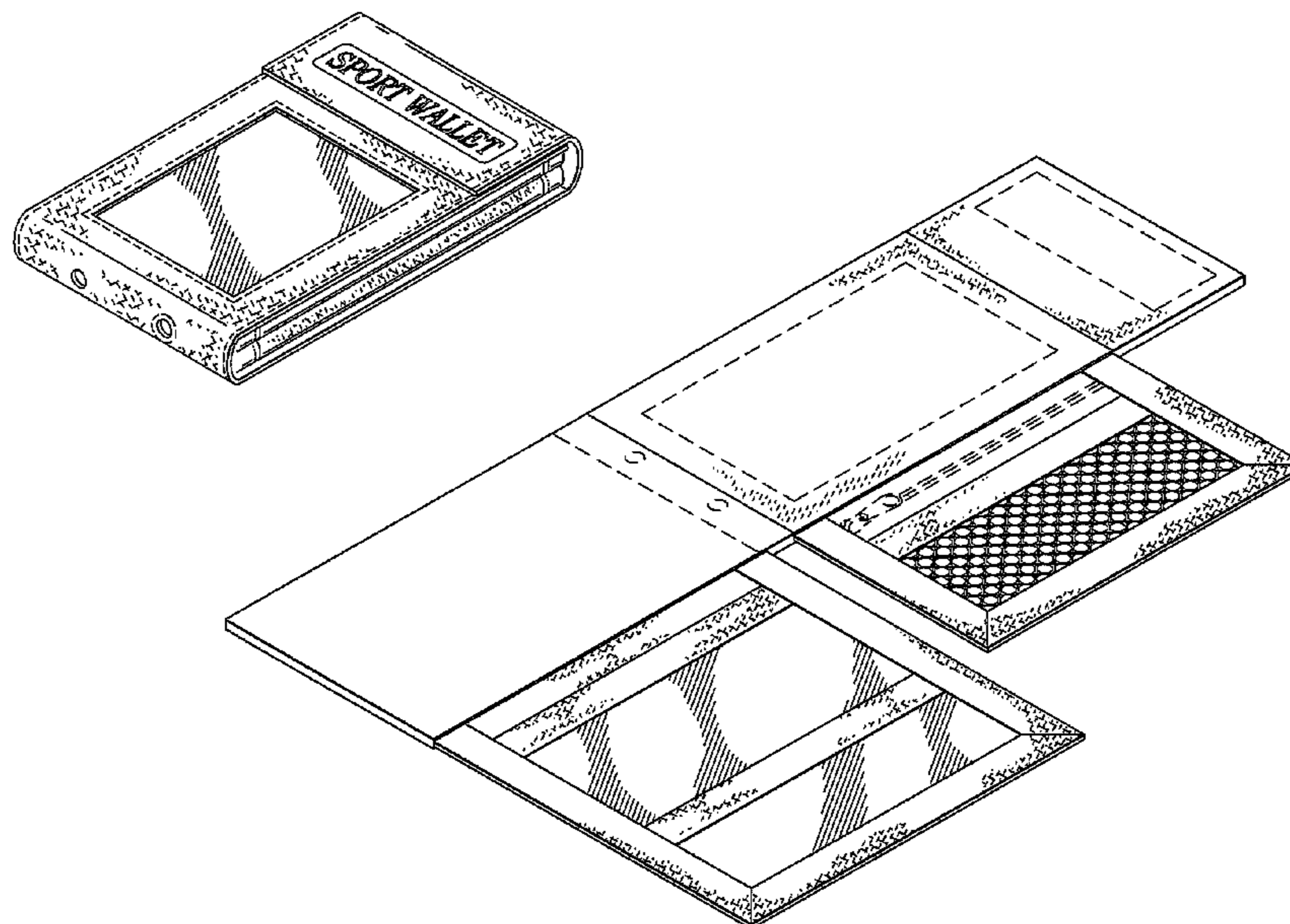


FIG. 1

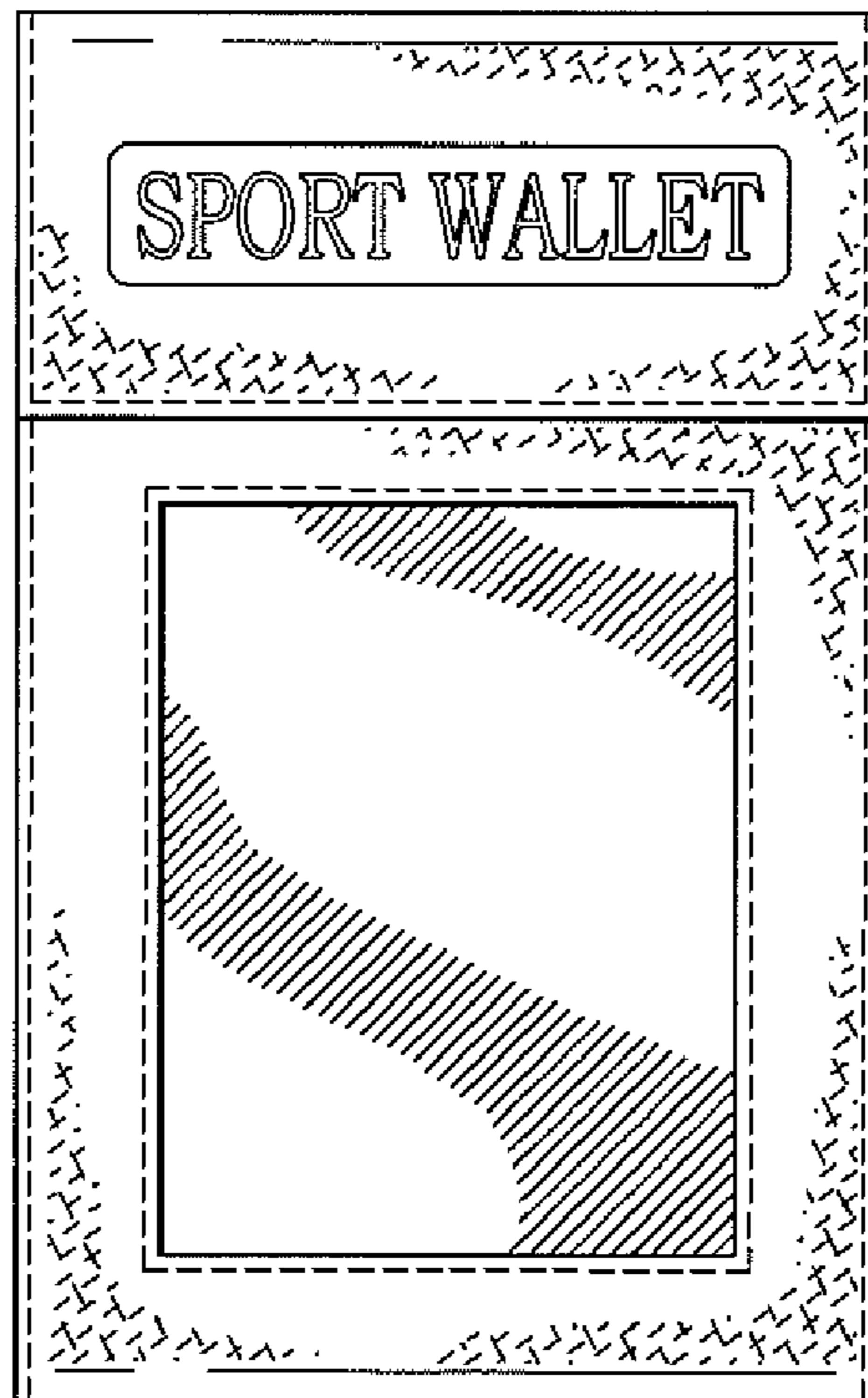
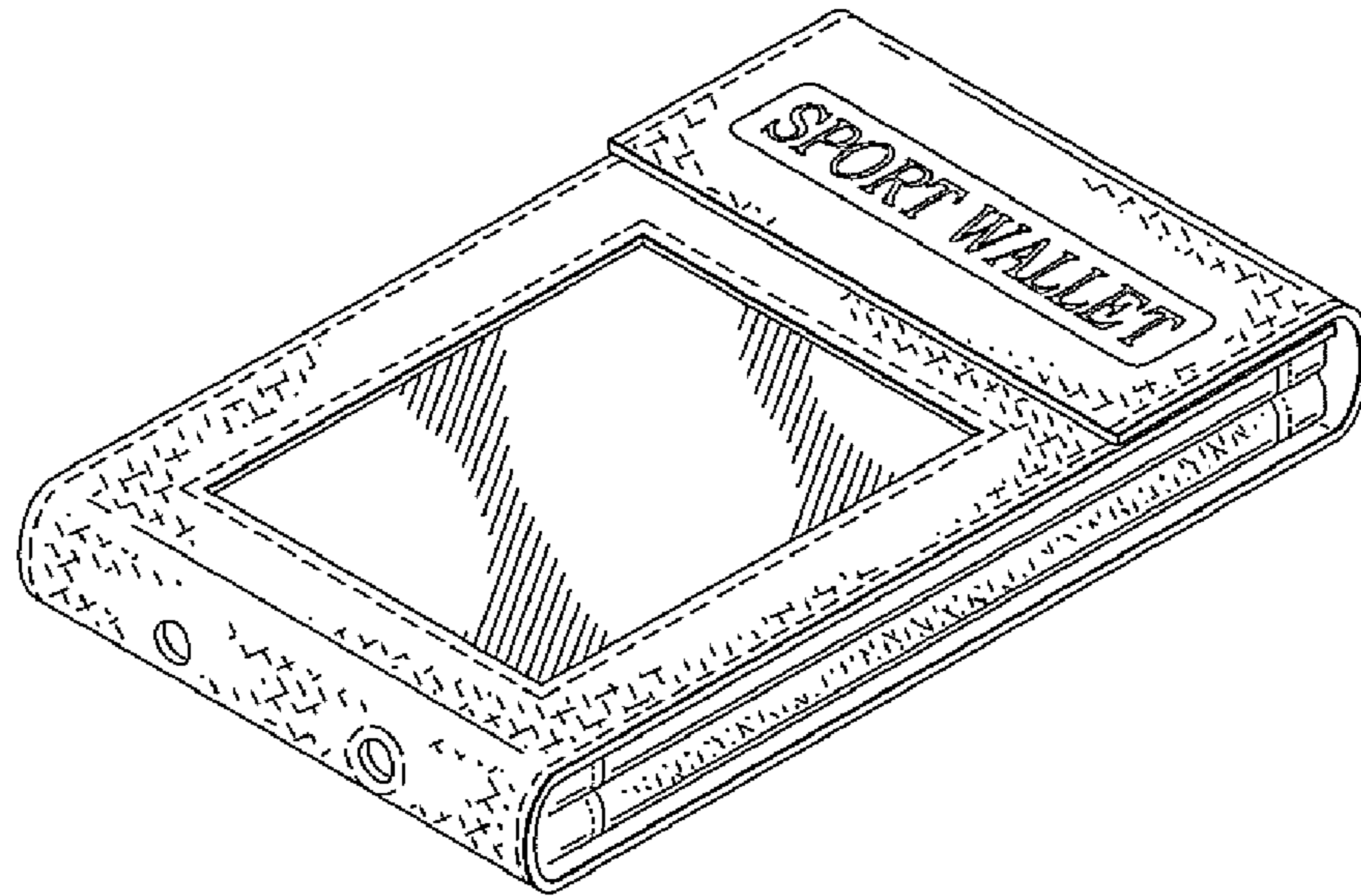


FIG. 2

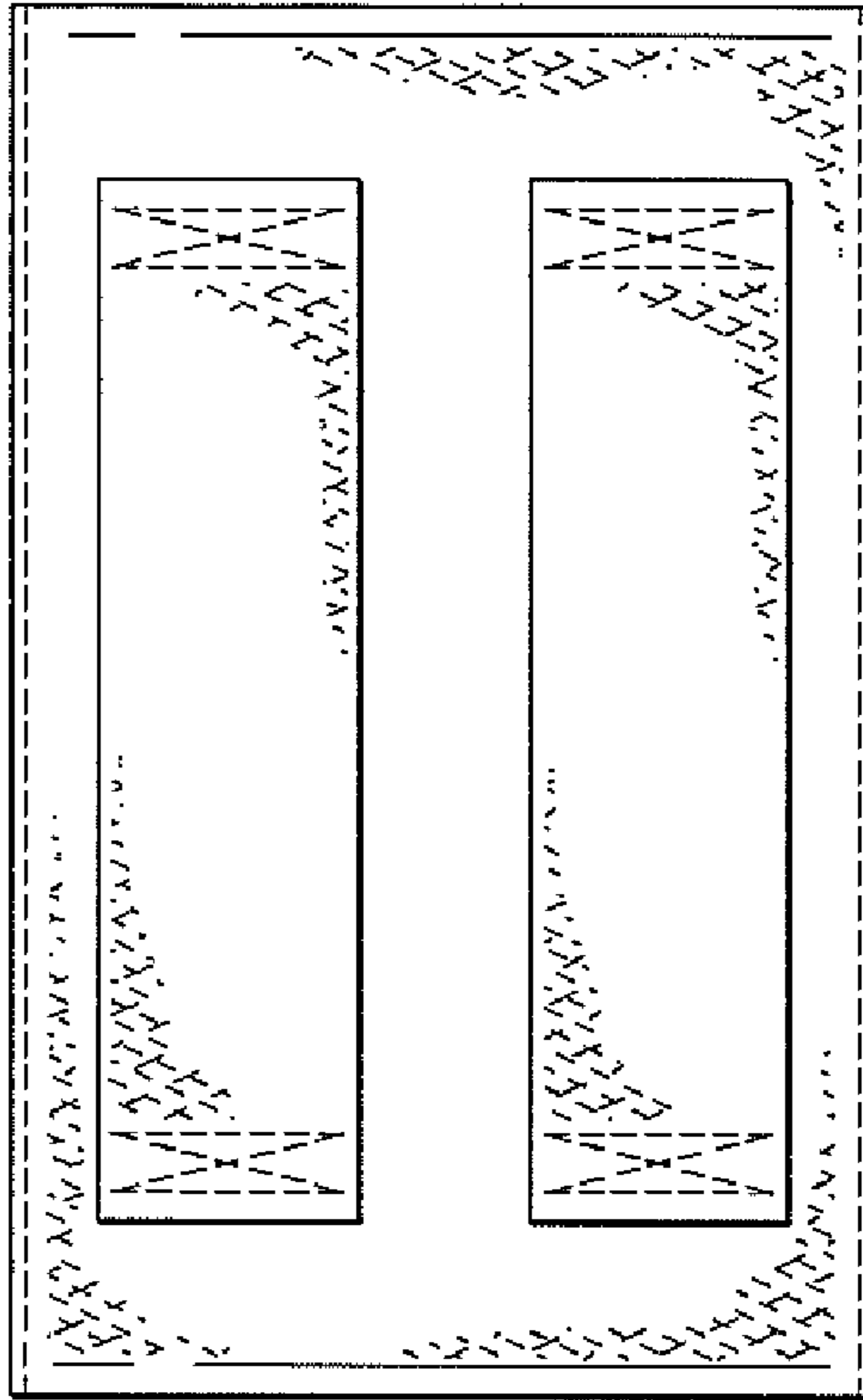


FIG. 3

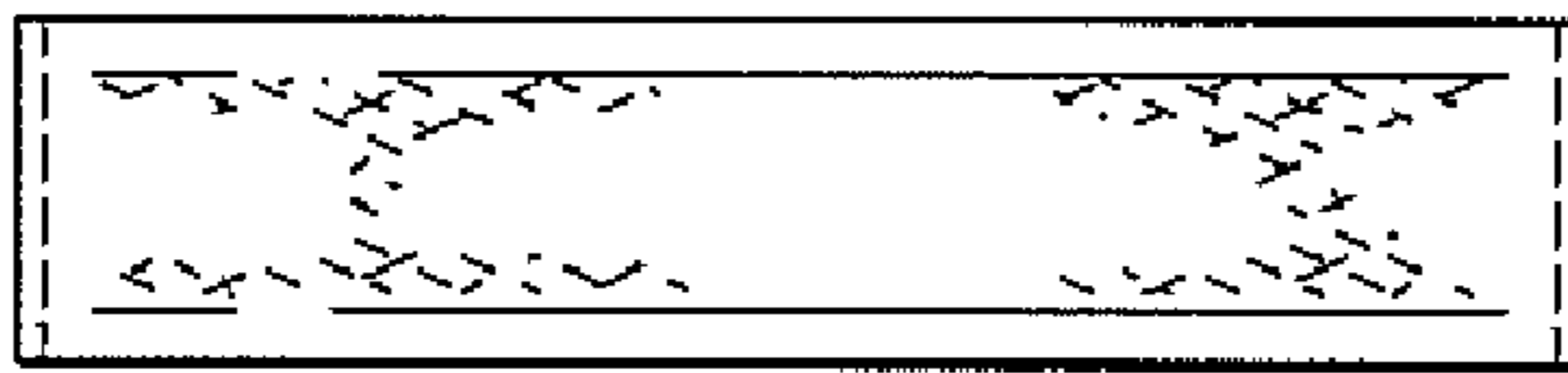


FIG. 4

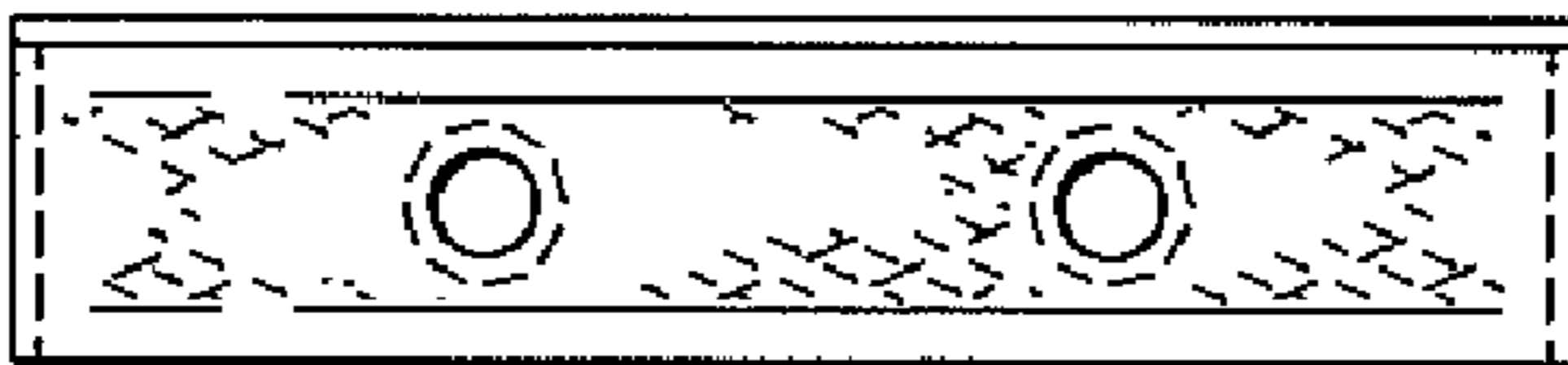


FIG. 5

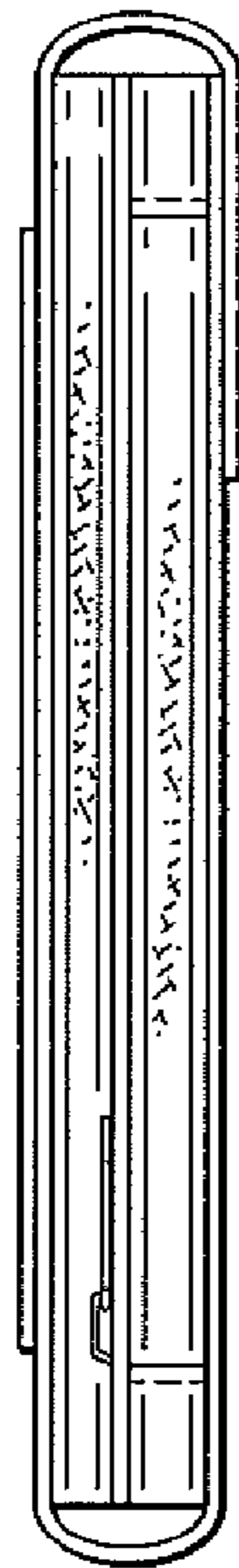


FIG. 6

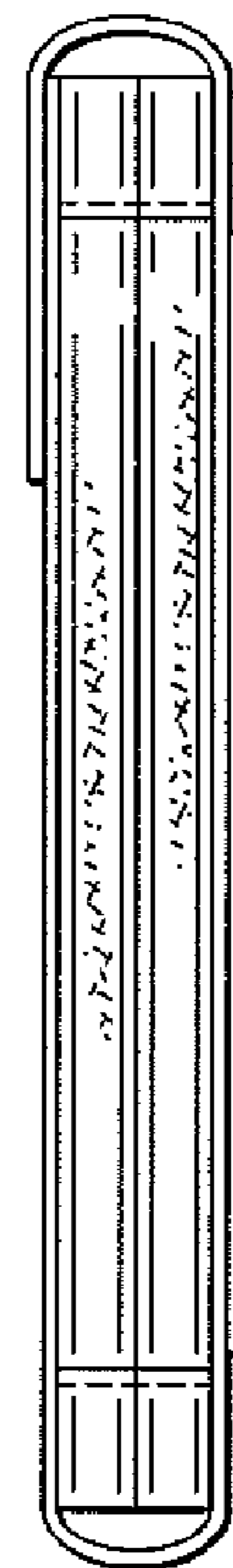


FIG. 7

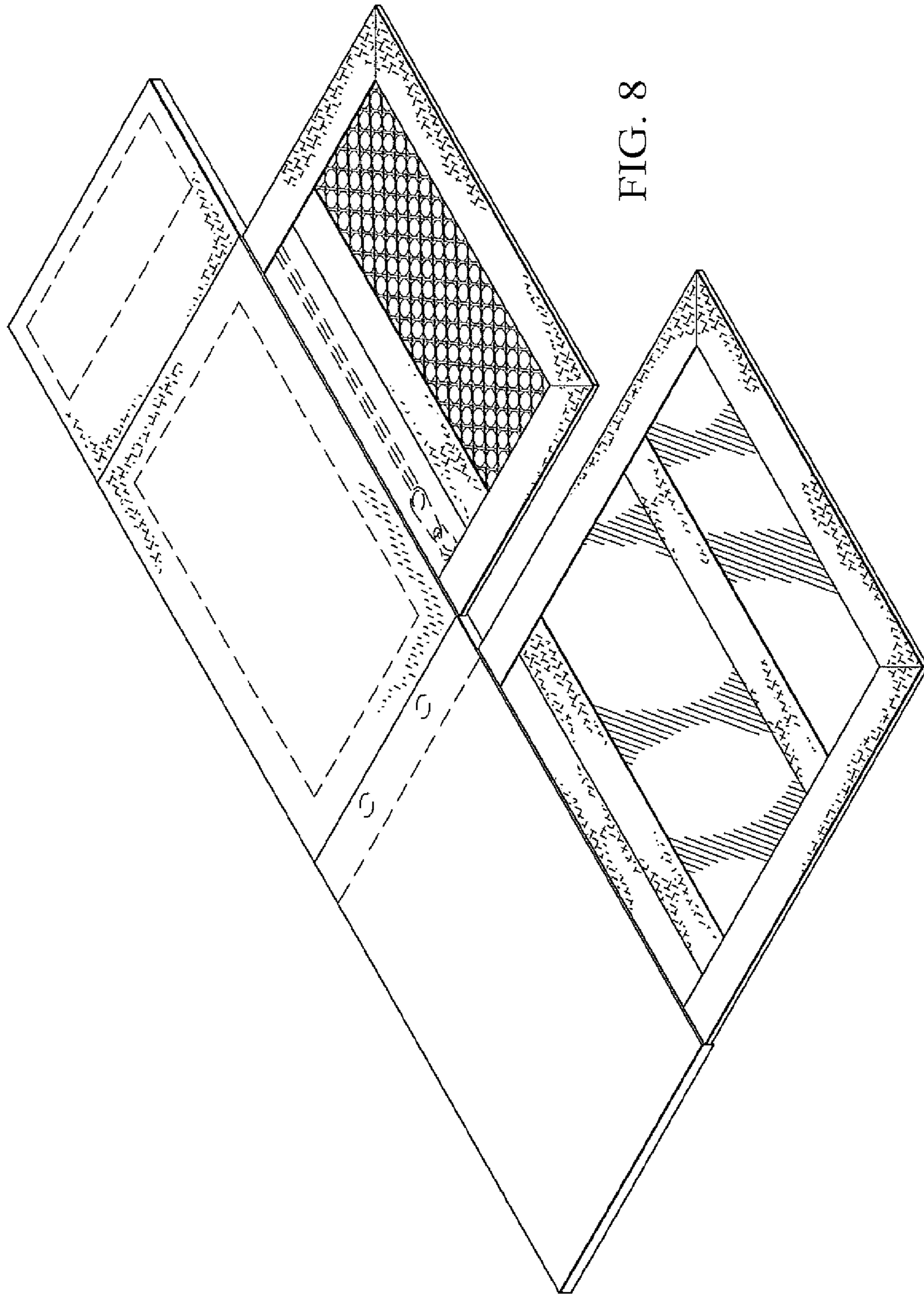


FIG. 8

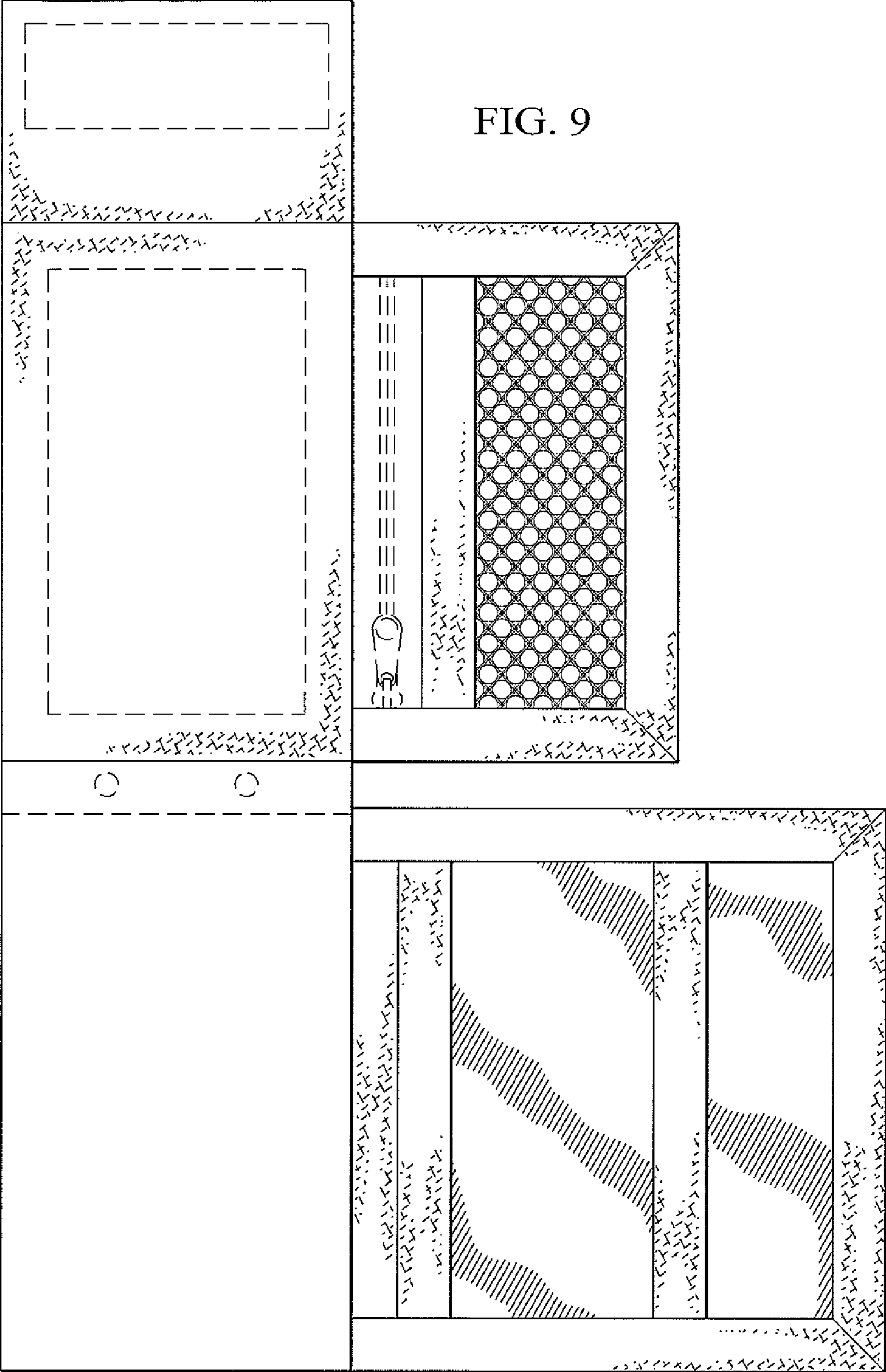


FIG. 10

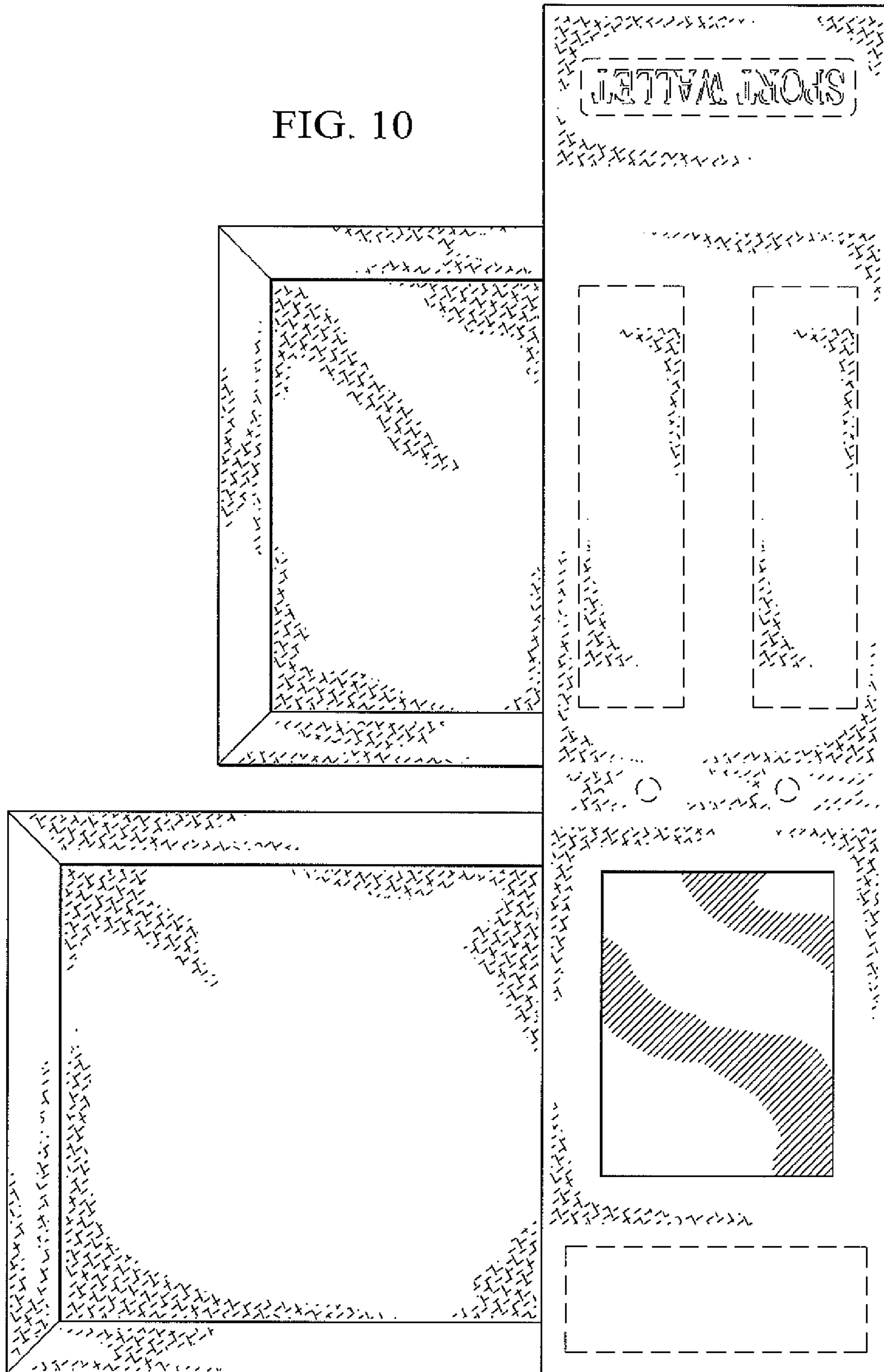




FIG. 11

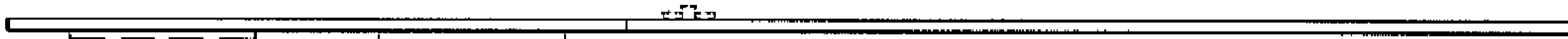


FIG. 12





FIG. 13



FIG. 14