



US00D633712S

(12) **United States Design Patent**  
**Everette**

(10) **Patent No.:** **US D633,712 S**  
(45) **Date of Patent:** **\*\* Mar. 8, 2011**

(54) **REFRIGERATED MEDICATION STORAGE UNIT**

(76) Inventor: **Jennifer Everette**, Clinton, MD (US)

(\*\*) Term: **14 Years**

(21) Appl. No.: **29/365,177**

(22) Filed: **Jul. 6, 2010**

(51) **LOC (9) Cl.** ..... **03-01**

(52) **U.S. Cl.** ..... **D3/203.1**

(58) **Field of Classification Search** ..... D3/201–205,  
D3/280–284, 294–295, 901, 903, 905; 206/528–540,  
206/569–570, 581, 459.5; 62/371

See application file for complete search history.

(56) **References Cited**

U.S. PATENT DOCUMENTS

4,429,793	A	2/1984	Ehmann	
D306,235	S *	2/1990	Tamamura	D3/295
D324,952	S *	3/1992	Berland	D3/203.1
D363,509	S *	10/1995	Parekh et al.	D3/295
D367,558	S *	3/1996	Lai	D3/281
5,865,032	A	2/1999	MacPherson	
D425,294	S *	5/2000	Haverstick	D3/203.1
D431,902	S *	10/2000	Mellin	D3/203.1

6,253,570	B1	7/2001	Lustig	
6,779,665	B2 *	8/2004	Bolanos	206/569
6,935,133	B2	8/2005	Keeter	
D524,049	S	7/2006	Hughes	
7,308,985	B2 *	12/2007	Riley	206/570
7,597,196	B2	10/2009	Langone	
D611,697	S *	3/2010	Hay	D3/205

\* cited by examiner

*Primary Examiner* — Catherine R Oliver

(74) *Attorney, Agent, or Firm* — Kyle Fletcher

(57) **CLAIM**

I claim the ornamental design for the refrigerated medication storage unit, as shown and described.

**DESCRIPTION**

FIG. 1 is a front view of the refrigerated medication storage unit.

FIG. 2 is a rear view of the claimed design.

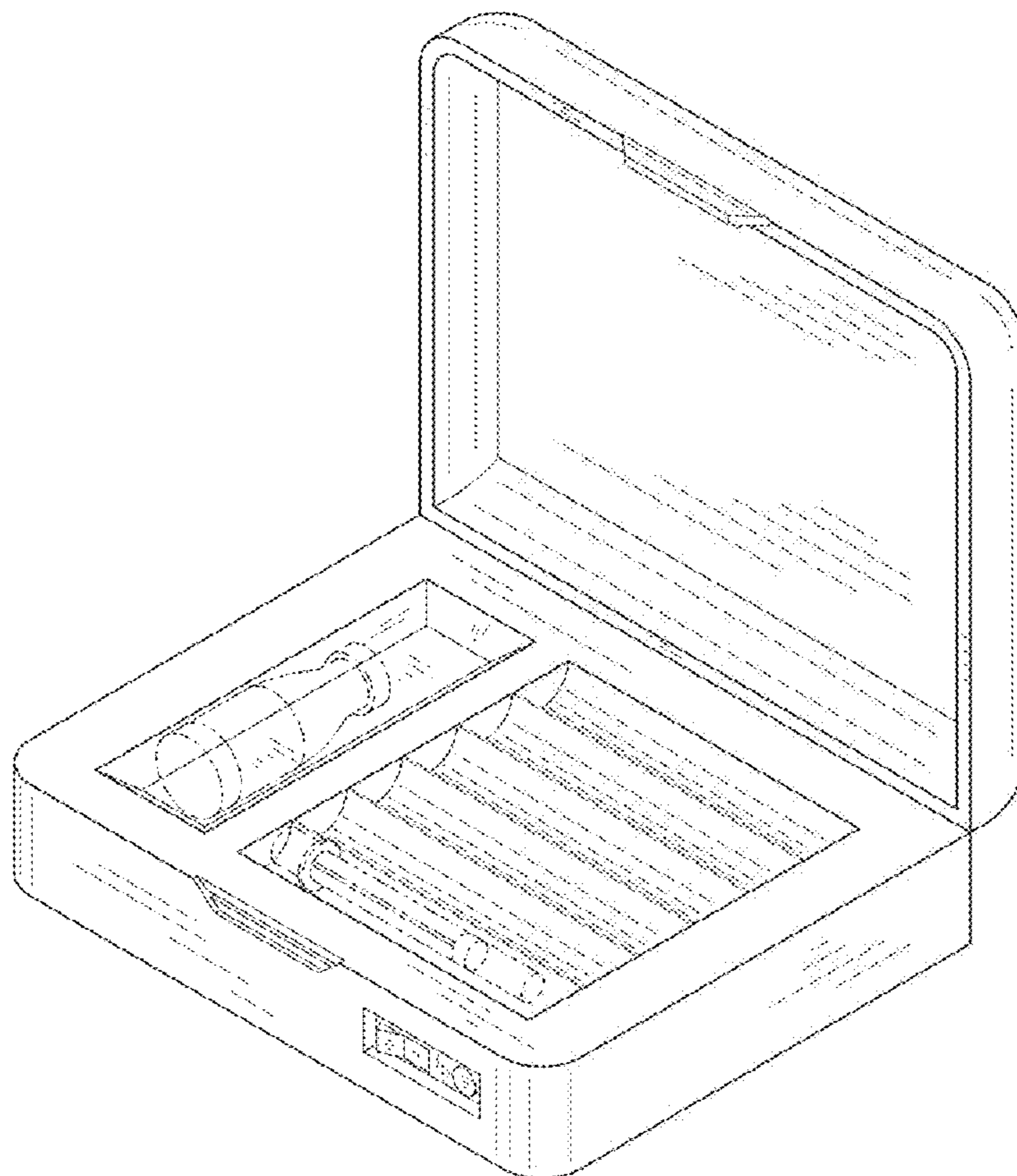
FIG. 3 is a side view of the claimed design.

FIG. 4 is a top view of the claimed design.

FIG. 5 is a bottom view of the claimed design; and,

FIG. 6 is an isometric view of the claimed design in use with a hypodermic needle and vial of medicine that is depicted in dashed lines as environmental matter that is not a part of the claimed design.

**1 Claim, 4 Drawing Sheets**



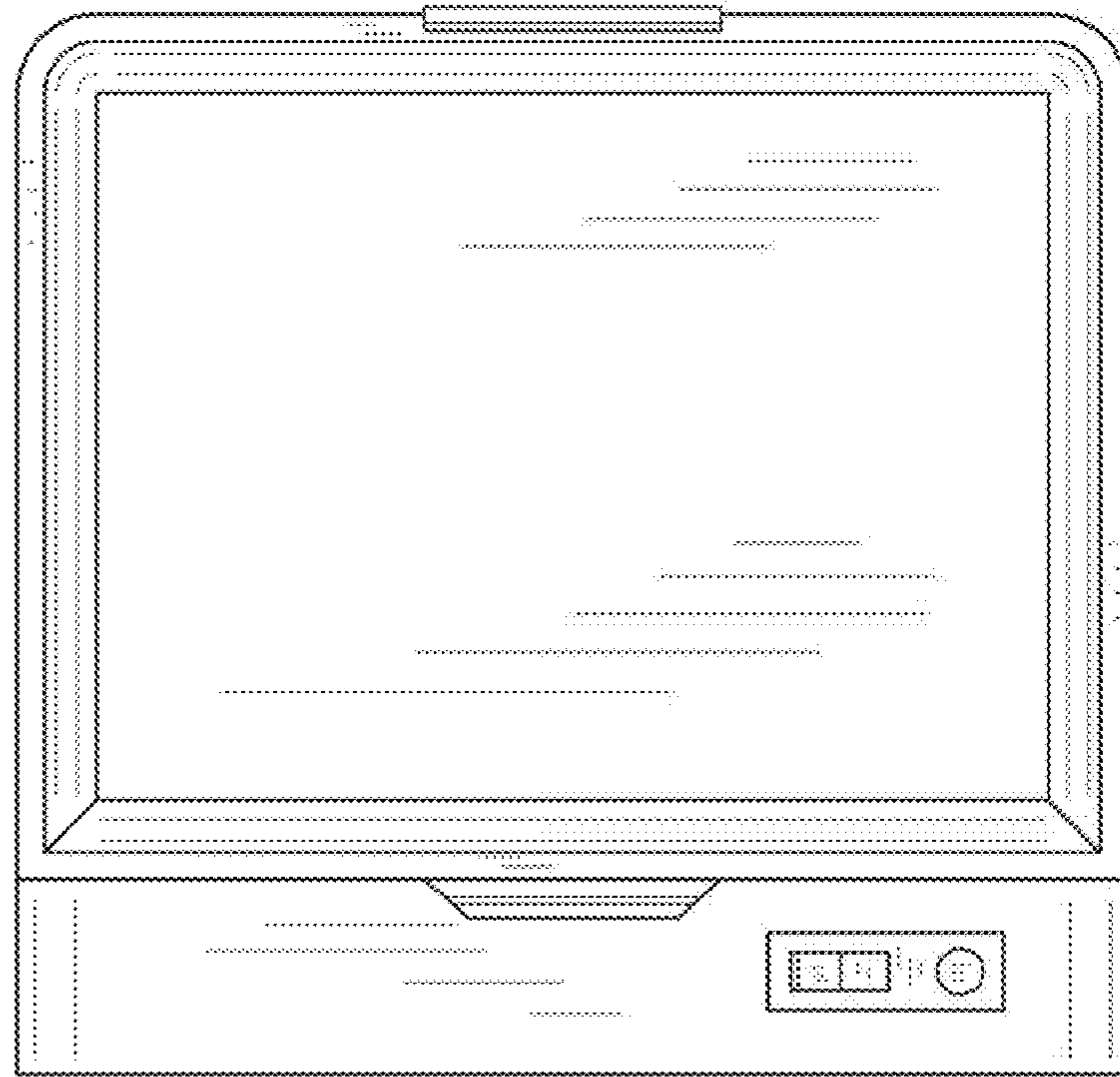


FIG. 1

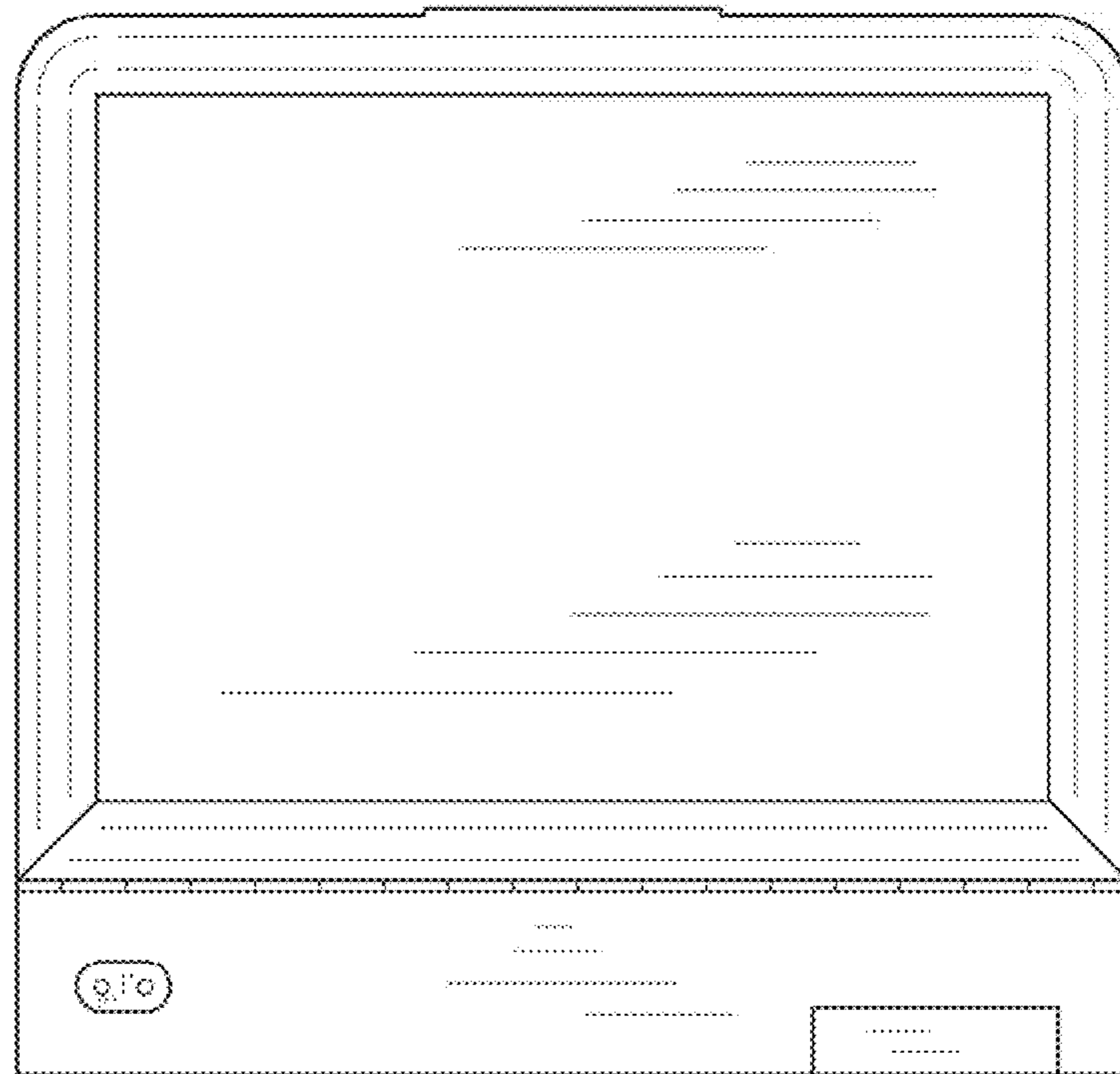


FIG. 2

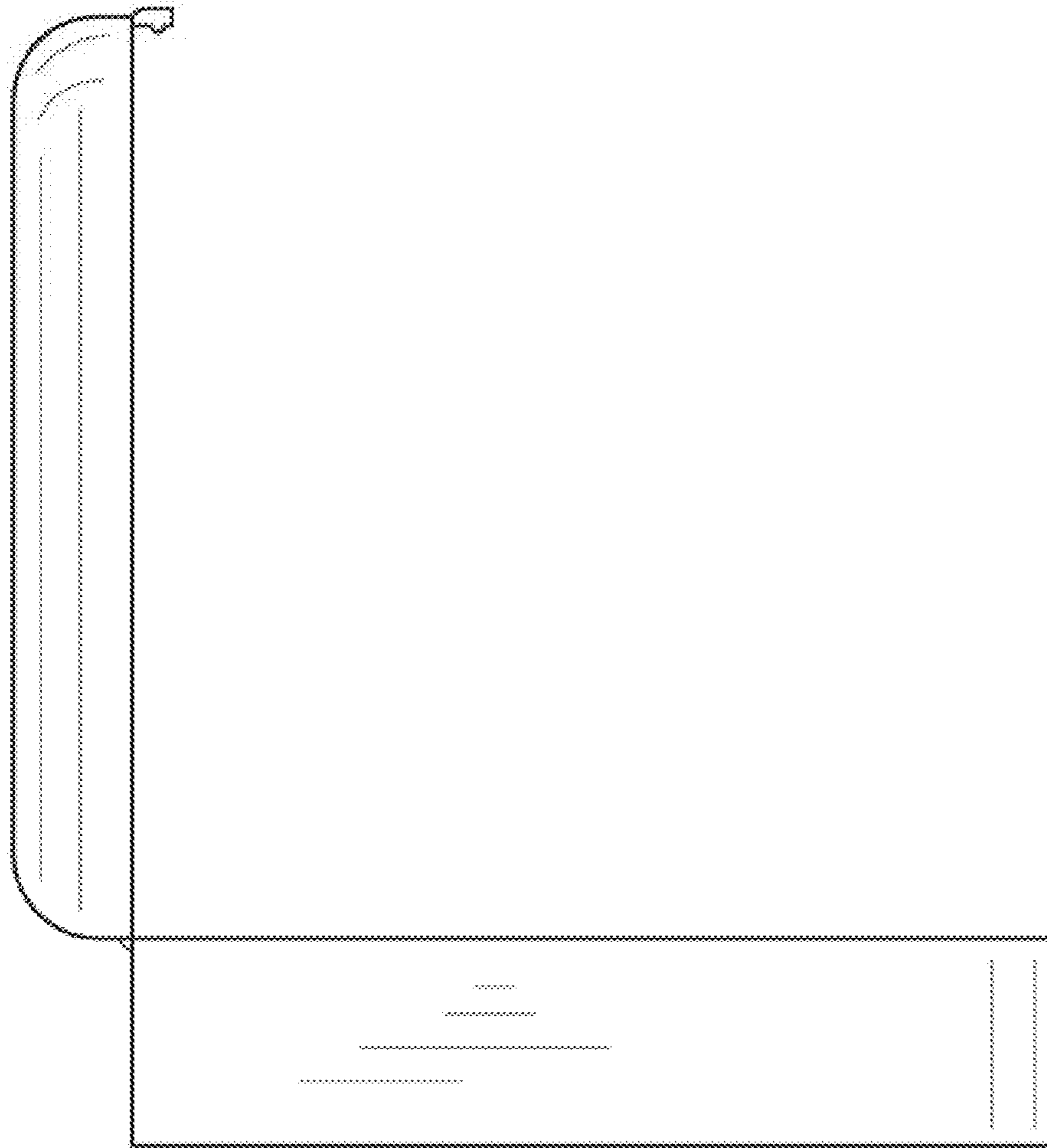


FIG. 3

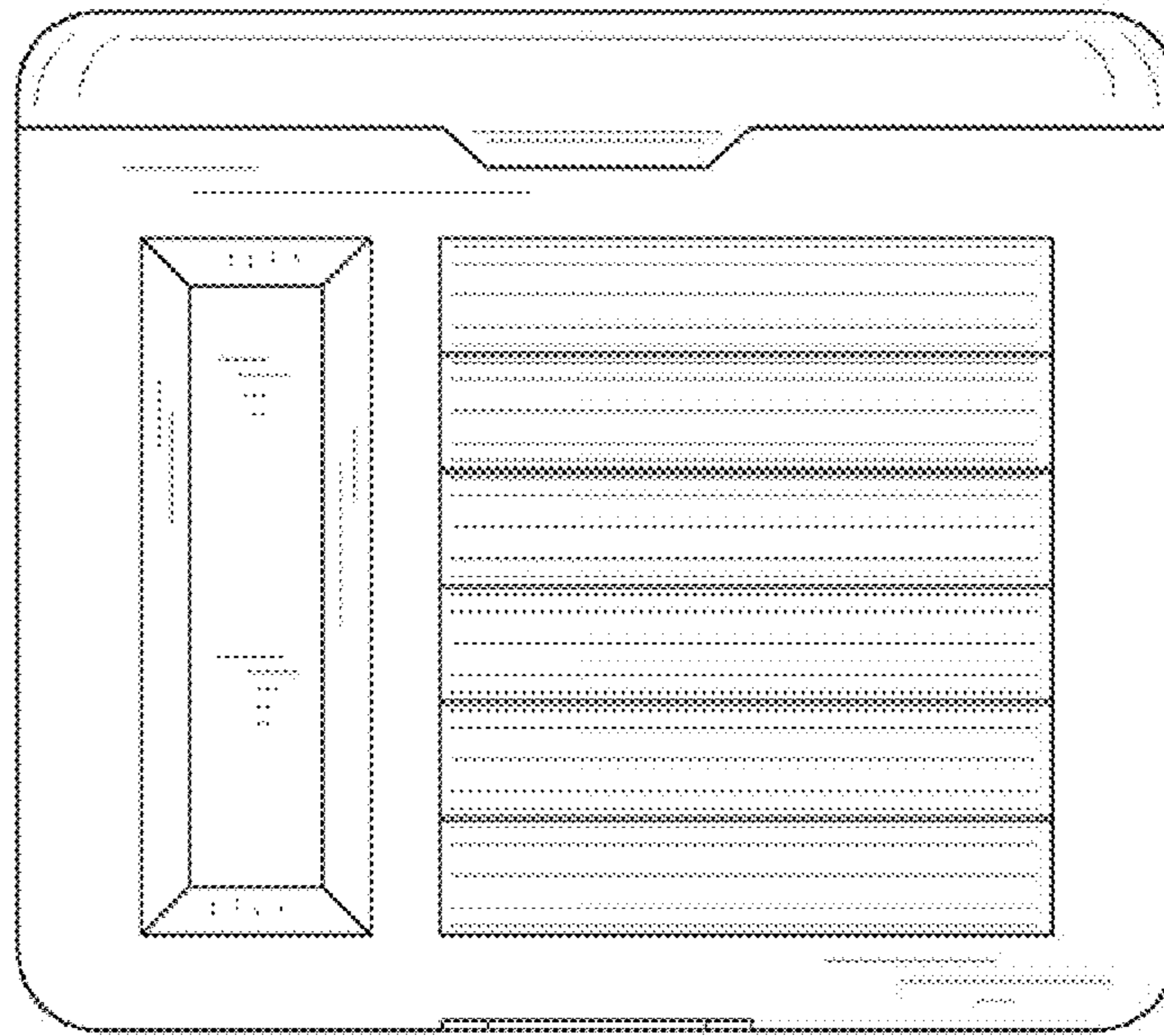


FIG. 4

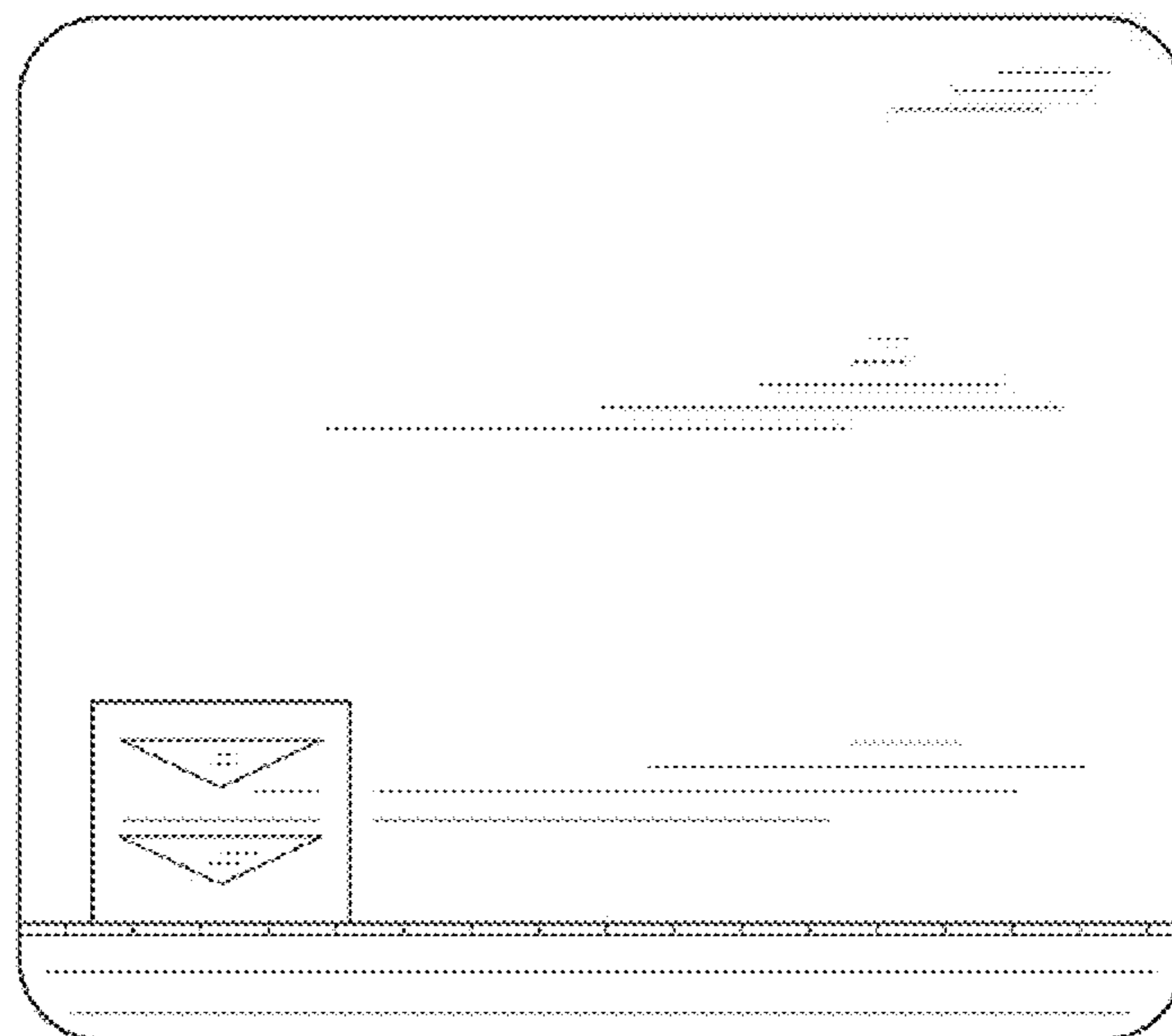


FIG. 5



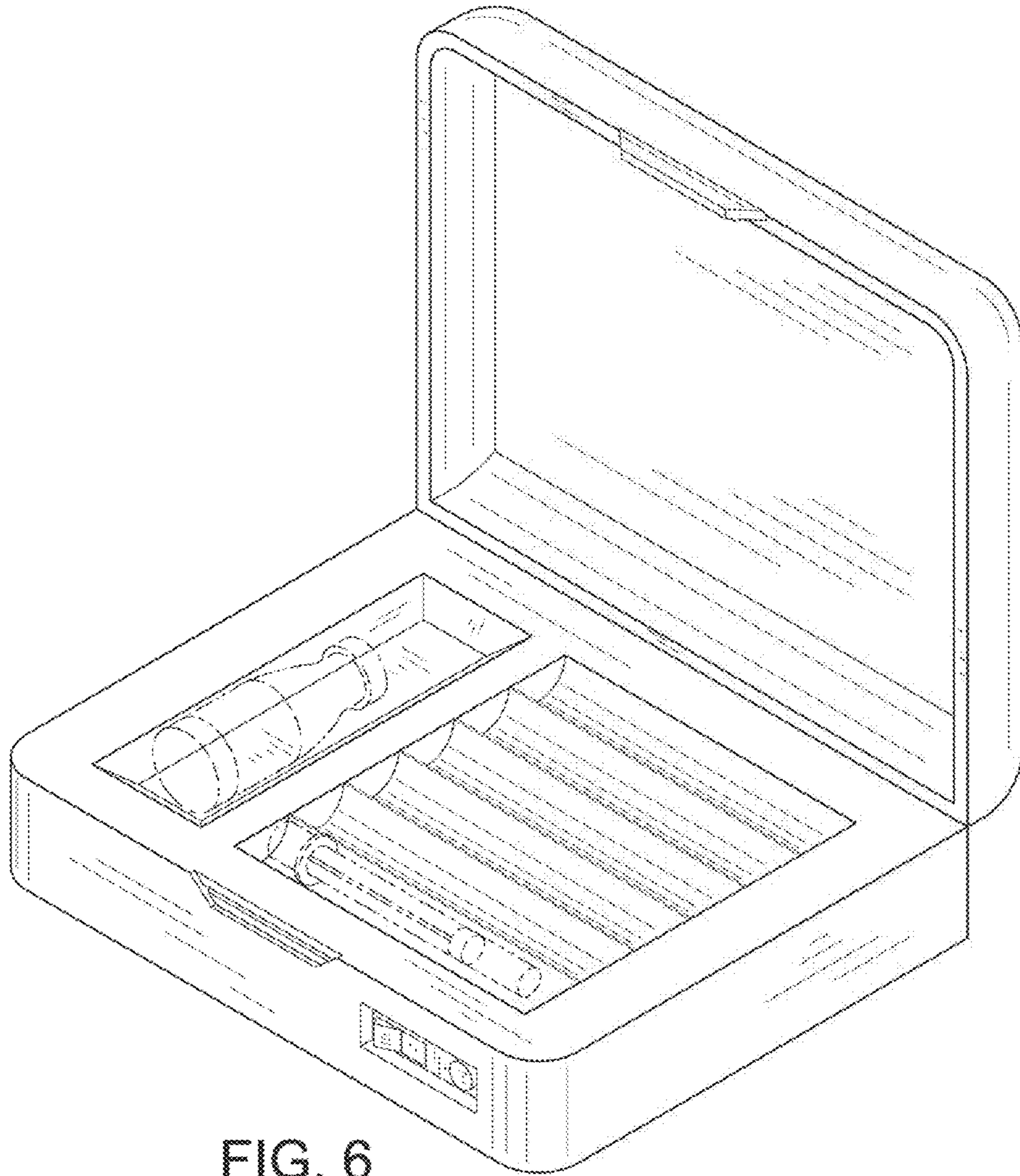


FIG. 6