



US00D633711S

(12) **United States Design Patent**
Riney

(10) **Patent No.:** **US D633,711 S**

(45) **Date of Patent:** **** Mar. 8, 2011**

(54) **ROTARY CUTTING GUIDE**

(76) Inventor: **Elizabeth J. Riney**, Tucson, AZ (US)

(**) Term: **14 Years**

(21) Appl. No.: **29/366,731**

(22) Filed: **Jul. 29, 2010**

(51) **LOC (9) Cl.** **02-07**

(52) **U.S. Cl.** **D3/26**

(58) **Field of Classification Search** D3/18-29;
100/296; 112/13, 18, 19, 20, 27, 62, 470.06,
112/470.09, 470.14, 136, 148, 150-153,
112/260; 26/87, 8 C; 66/1 A; 269/1; 223/DIG. 2
See application file for complete search history.

(56) **References Cited**

U.S. PATENT DOCUMENTS

D28,301 S *	2/1898	Gurnee	D3/26
D28,671 S *	5/1898	Gibbs	D3/26
3,358,141 A *	12/1967	Hoffmann et al.	378/208
D244,755 S *	6/1977	Bard	D15/66
4,579,196 A *	4/1986	Allen et al.	182/9
D284,044 S *	6/1986	Di Martino	D3/26
4,621,586 A *	11/1986	Binder	112/148
4,744,317 A *	5/1988	Cullen et al.	112/138
4,767,111 A *	8/1988	Guenther	269/303
D361,654 S *	8/1995	Petracco	D3/5
6,138,965 A *	10/2000	Iorio et al.	248/150
2004/0055426 A1 *	3/2004	Chung	81/64

2010/0230883 A1* 9/2010 Fries et al. 269/131

* cited by examiner

Primary Examiner—Celia A Murphy

Assistant Examiner—John Windmuller

(74) *Attorney, Agent, or Firm*—Booth Udall, PLC; Steven J. Laureanti

(57) **CLAIM**

The ornamental design for a rotary cutting guide, as shown and described.

DESCRIPTION

FIG. 1 is a perspective view of a rotary cutting guide according to the present invention;

FIG. 2 is a front view of the rotary cutting guide of FIG. 1;

FIG. 3 is a right side view of the rotary cutting guide of FIG. 1, the left side view being a mirror image thereof;

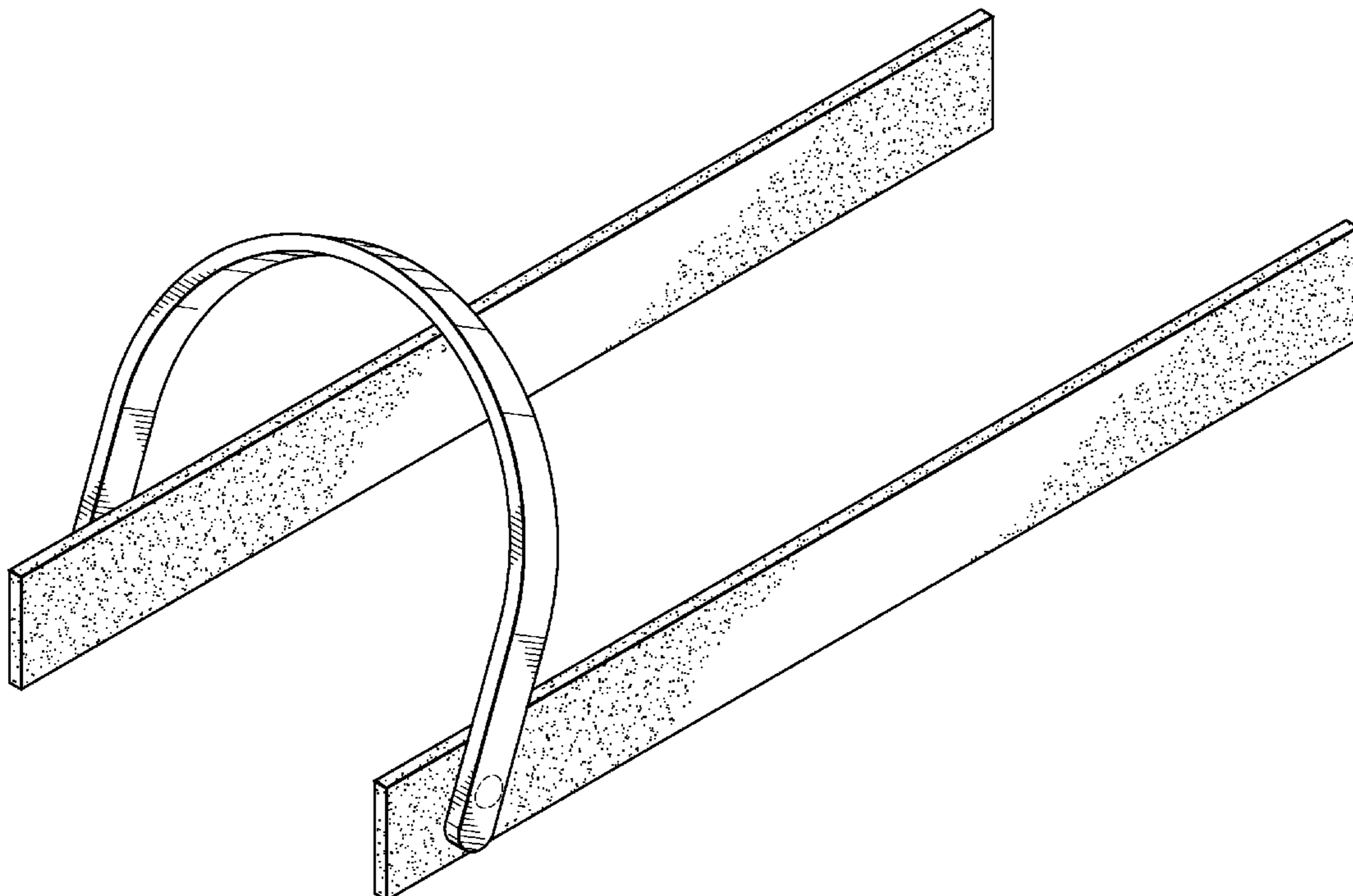
FIG. 4 is a back side view of the rotary cutting guide of FIG. 1;

FIG. 5 is a top view of the rotary cutting guide of FIG. 1; and,

FIG. 6 is a bottom view of the rotary cutting guide of FIG. 1.

The broken lines in FIGS. 1-6 immediately adjacent the solid lines represent the bounds of the claim, and the broken lines and the area within the broken lines represent unclaimed portions of the present invention. None of the broken lines form a part of the claimed design.

1 Claim, 3 Drawing Sheets



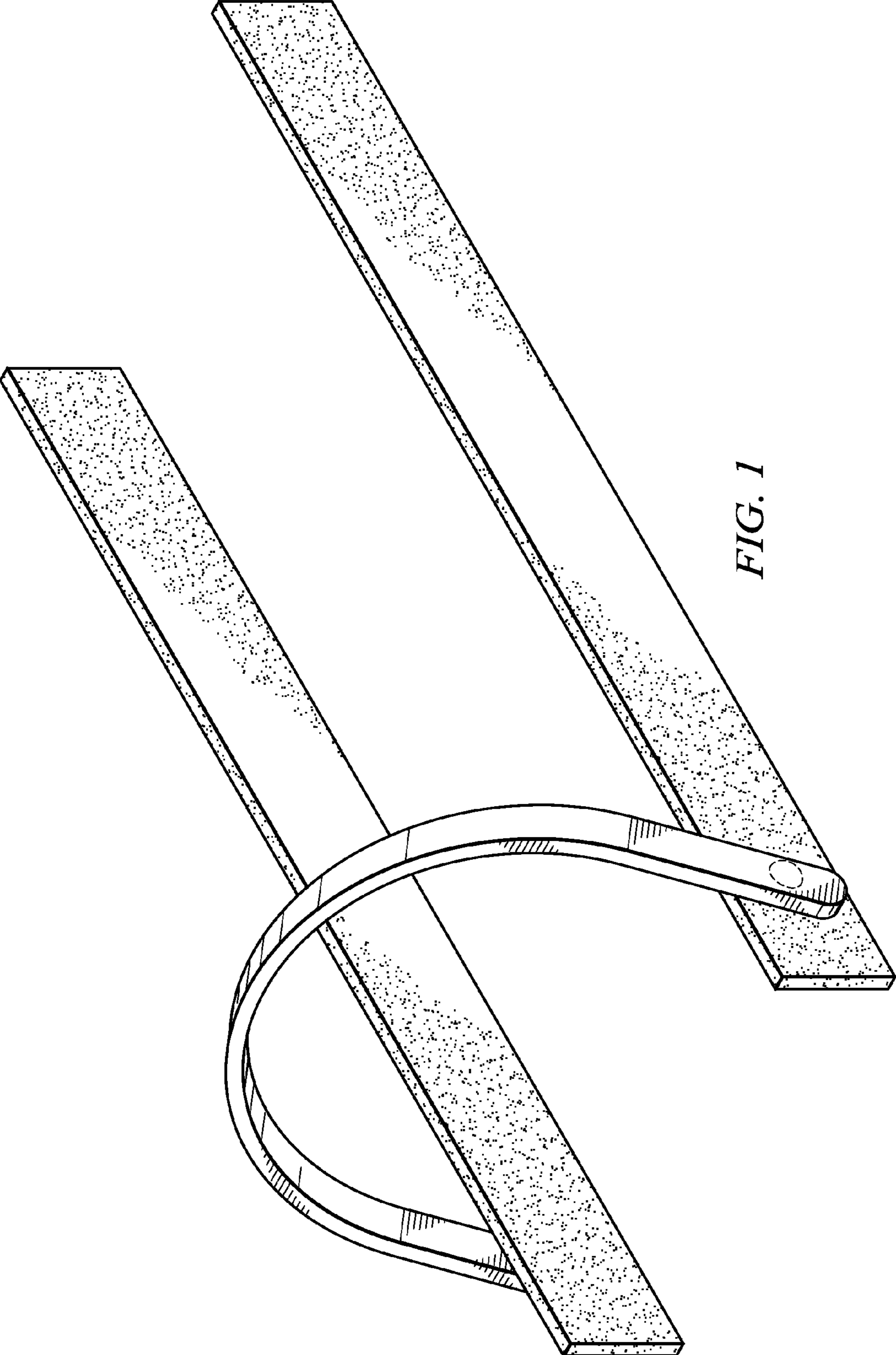


FIG. 1

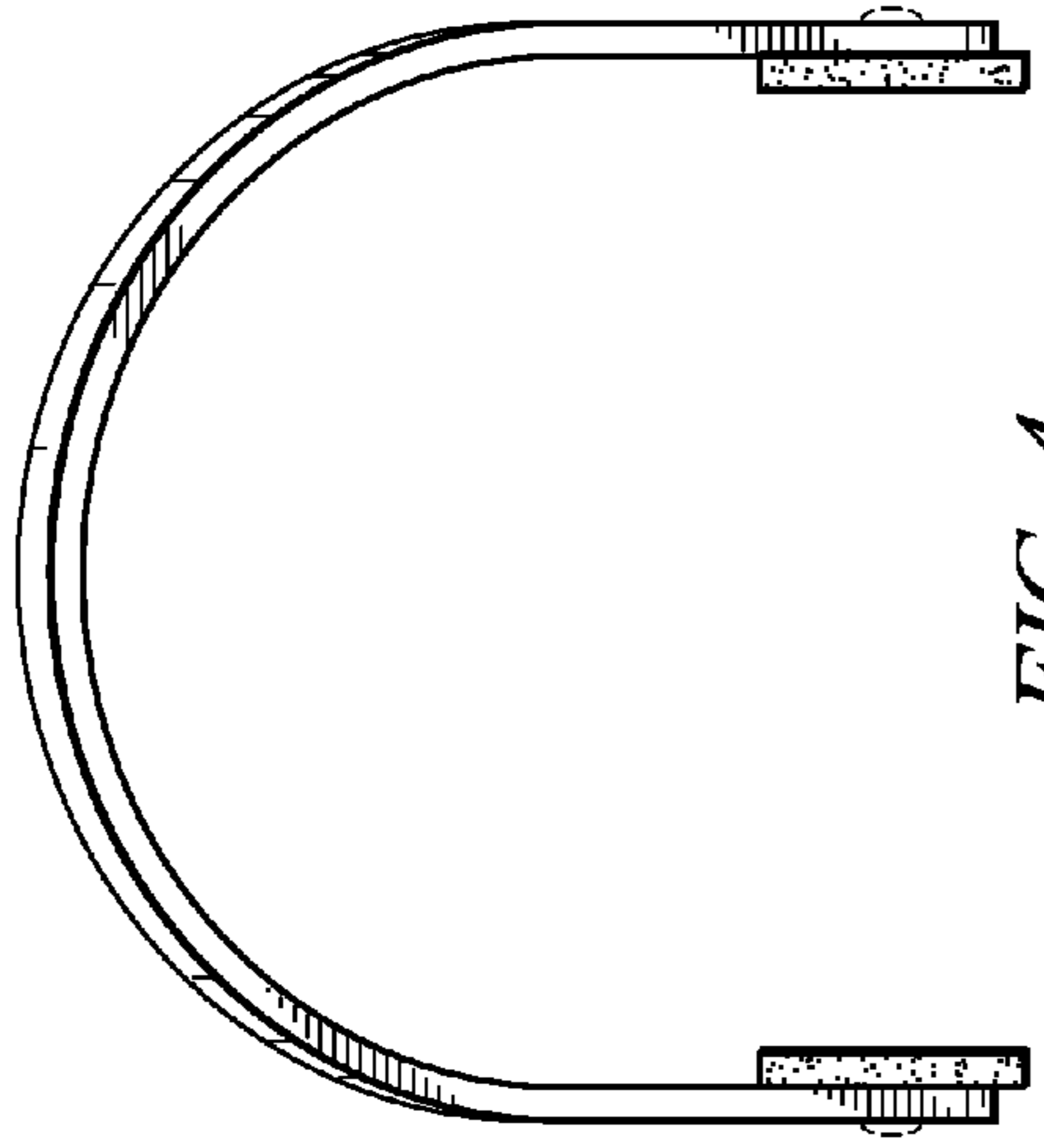


FIG. 4

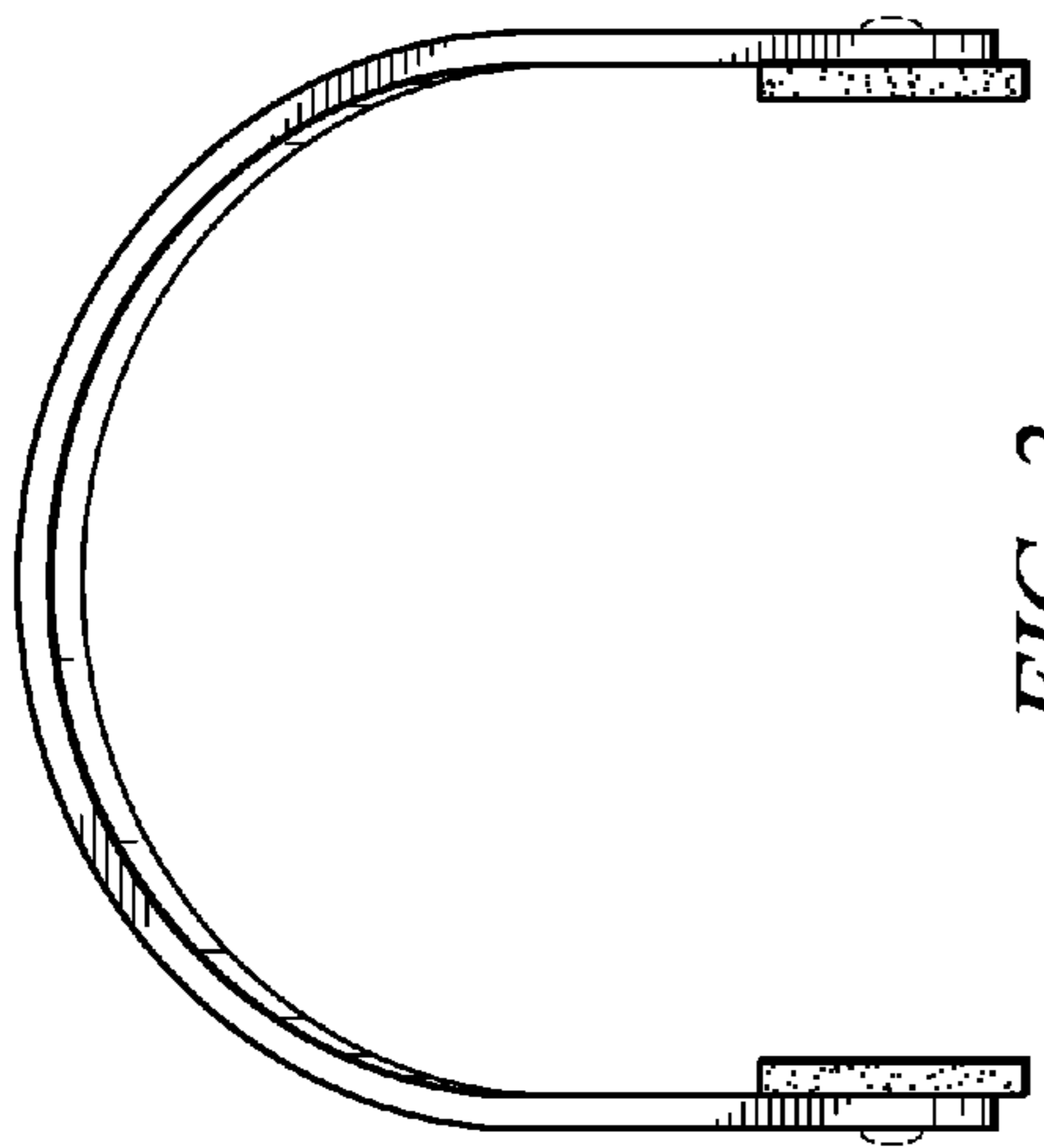


FIG. 2



FIG. 3

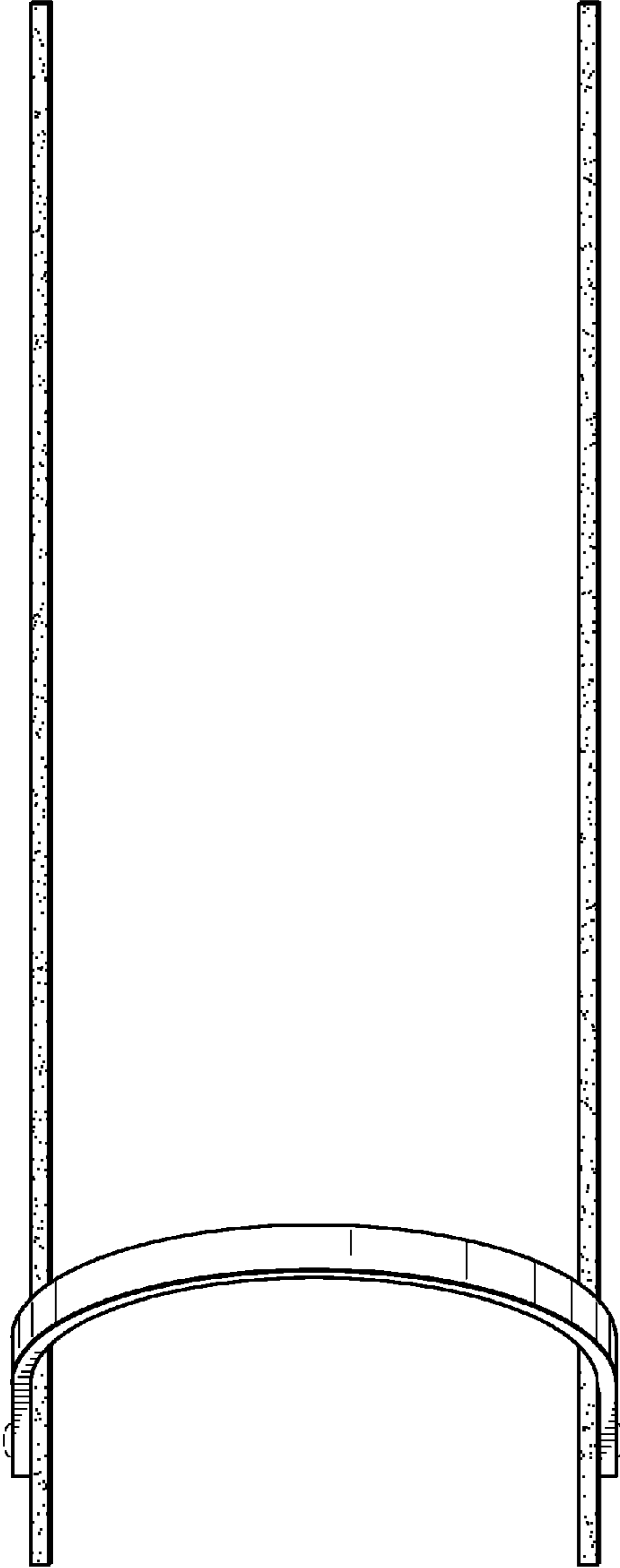


FIG. 5

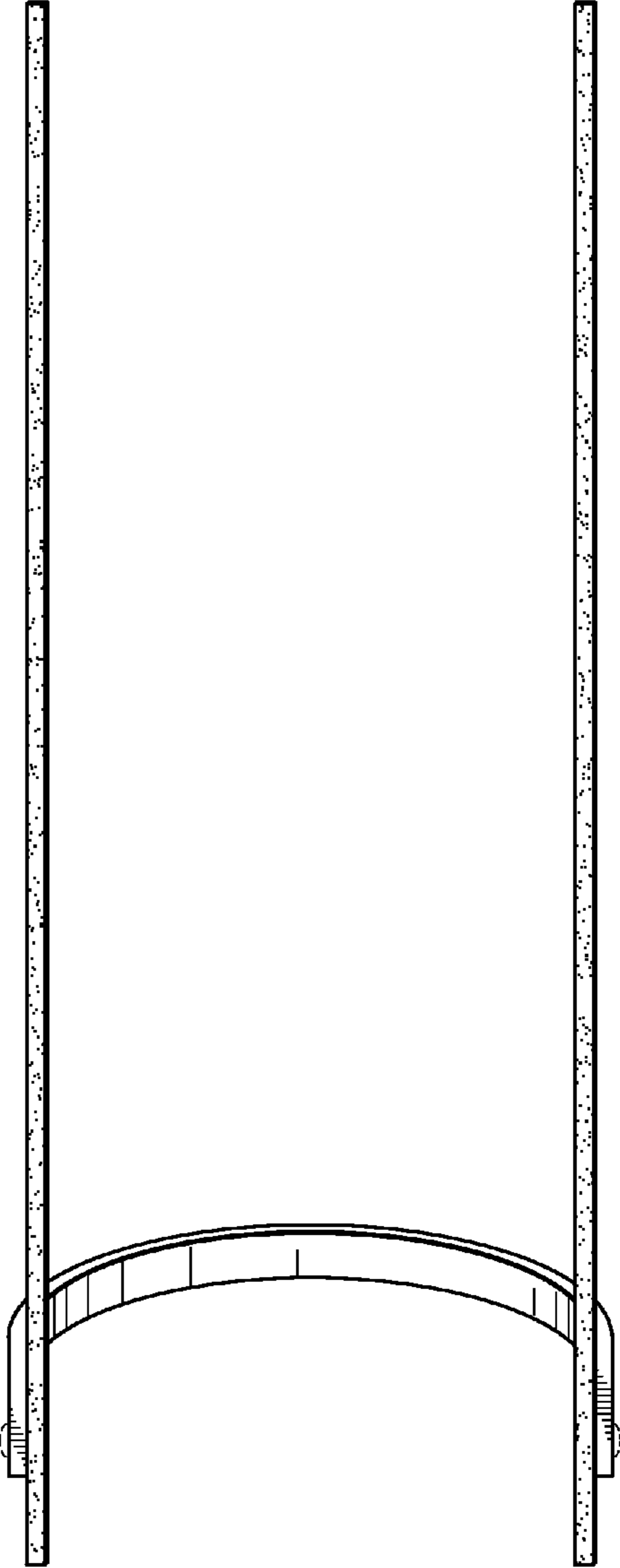


FIG. 6