



US00D633701S

(12) **United States Design Patent**
O'Rorke

(10) **Patent No.:** **US D633,701 S**
(45) **Date of Patent:** **** Mar. 8, 2011**

(54) **SHOE UPPER**

(75) Inventor: **Nicholas O'Rorke**, Ticknall (GB)

(73) Assignee: **Deckers Outdoor Corporation**, Goleta, CA (US)

(**) Term: **14 Years**

(21) Appl. No.: **29/351,919**

(22) Filed: **Dec. 14, 2009**

(51) **LOC (9) Cl.** **02-99**

(52) **U.S. Cl.** **D2/969**

(58) **Field of Classification Search** D2/896,
D2/902, 906-908, 943, 944, 969, 972-974;
36/45-49, 50.1, 77 M, 77 R, 83, 88, 113,
36/114, 126-131

See application file for complete search history.

(56) **References Cited**

U.S. PATENT DOCUMENTS

3,138,880 A	6/1964	Kunzli	
D393,360 S	4/1998	Aveni et al.	
D432,776 S	10/2000	McDowell	
D437,474 S *	2/2001	Agnew et al.	D2/908
D438,367 S *	3/2001	Huard	D2/908
D440,392 S	4/2001	Neely	
D459,575 S *	7/2002	Garcia	D2/907
D464,189 S *	10/2002	Wu	D2/969
D480,540 S *	10/2003	Hoyt et al.	D2/896
D481,861 S *	11/2003	Robbins	D2/969
D482,188 S *	11/2003	Belley et al.	D2/969
D485,668 S *	1/2004	Galway	D2/969
D487,621 S *	3/2004	Robbins	D2/969
D489,522 S *	5/2004	Benini	D2/969
D499,863 S *	12/2004	Sakai et al.	D2/908
D499,866 S *	12/2004	Belley et al.	D2/969

D514,789 S	2/2006	Robbins et al.	
D515,298 S	2/2006	Lamont	
D534,718 S	1/2007	Keen	
D538,522 S	3/2007	Keen	
D560,054 S *	1/2008	Andersen et al.	D2/969
D562,533 S	2/2008	Keen	
D563,656 S *	3/2008	Andersen et al.	D2/969
D564,744 S *	3/2008	Horne et al.	D2/969
D566,943 S *	4/2008	Belley et al.	D2/969
D566,944 S *	4/2008	Belley et al.	D2/969
D566,952 S *	4/2008	Andersen et al.	D2/969
D577,896 S	10/2008	Belley et al.	
D582,133 S *	12/2008	Del Biondi	D2/902
D586,996 S *	2/2009	Horne et al.	D2/969

* cited by examiner

Primary Examiner—Dominic Simone

(74) *Attorney, Agent, or Firm*—Greer, Burns & Crain, Ltd.

(57) **CLAIM**

The ornamental design for a shoe upper, as shown and described.

DESCRIPTION

FIG. 1 is a perspective view of a shoe showing my new design;

FIG. 2 is a side elevational view thereof;

FIG. 3 is a front elevational view thereof;

FIG. 4 is a rear elevational view thereof;

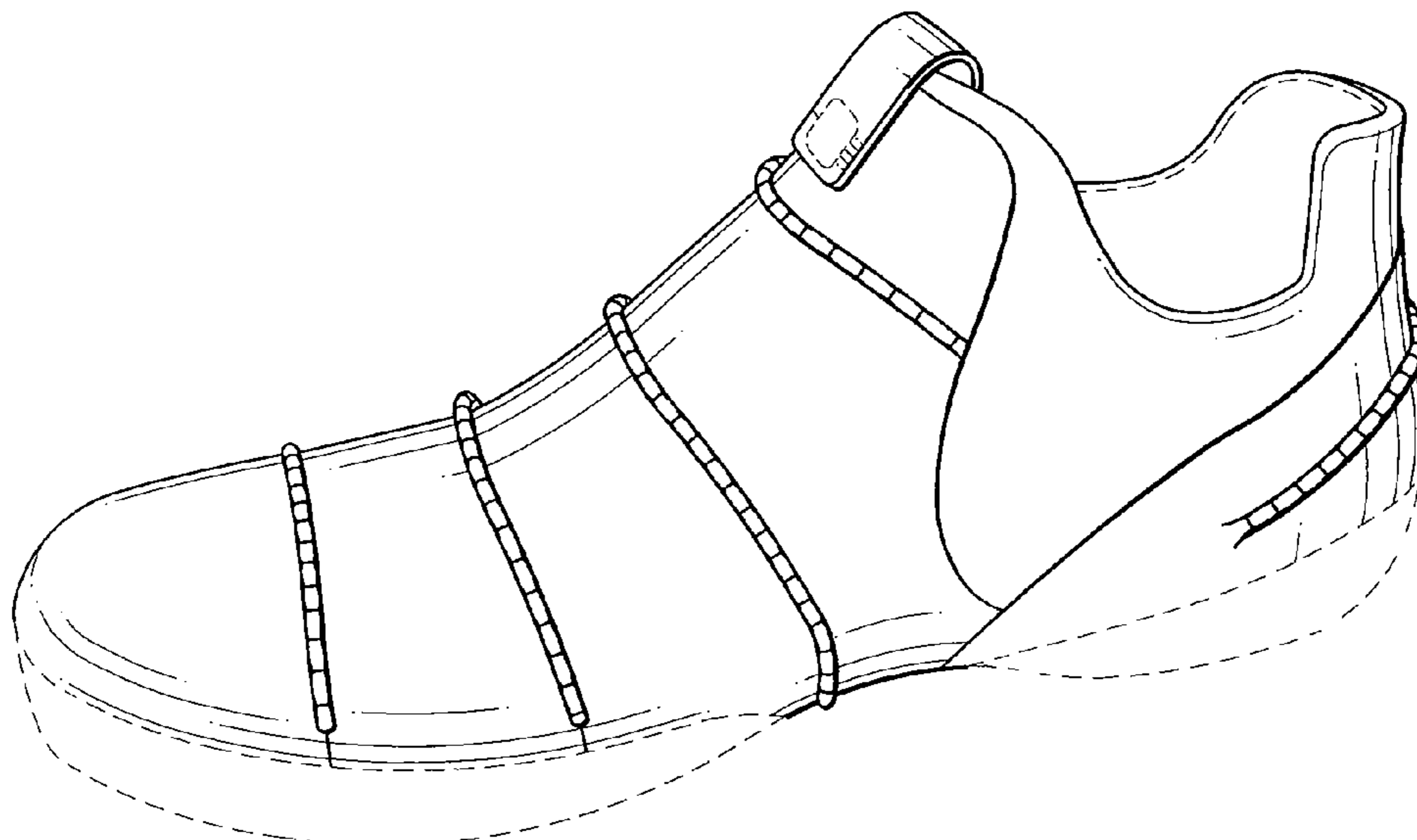
FIG. 5 is an opposite side elevational view thereof;

FIG. 6 is a top plan view thereof; and,

FIG. 7 is a bottom plan view thereof.

The broken lines in FIGS. 1-7 define bounds of the claimed design or represent portions of the shoe that form no part of the claimed design.

1 Claim, 7 Drawing Sheets



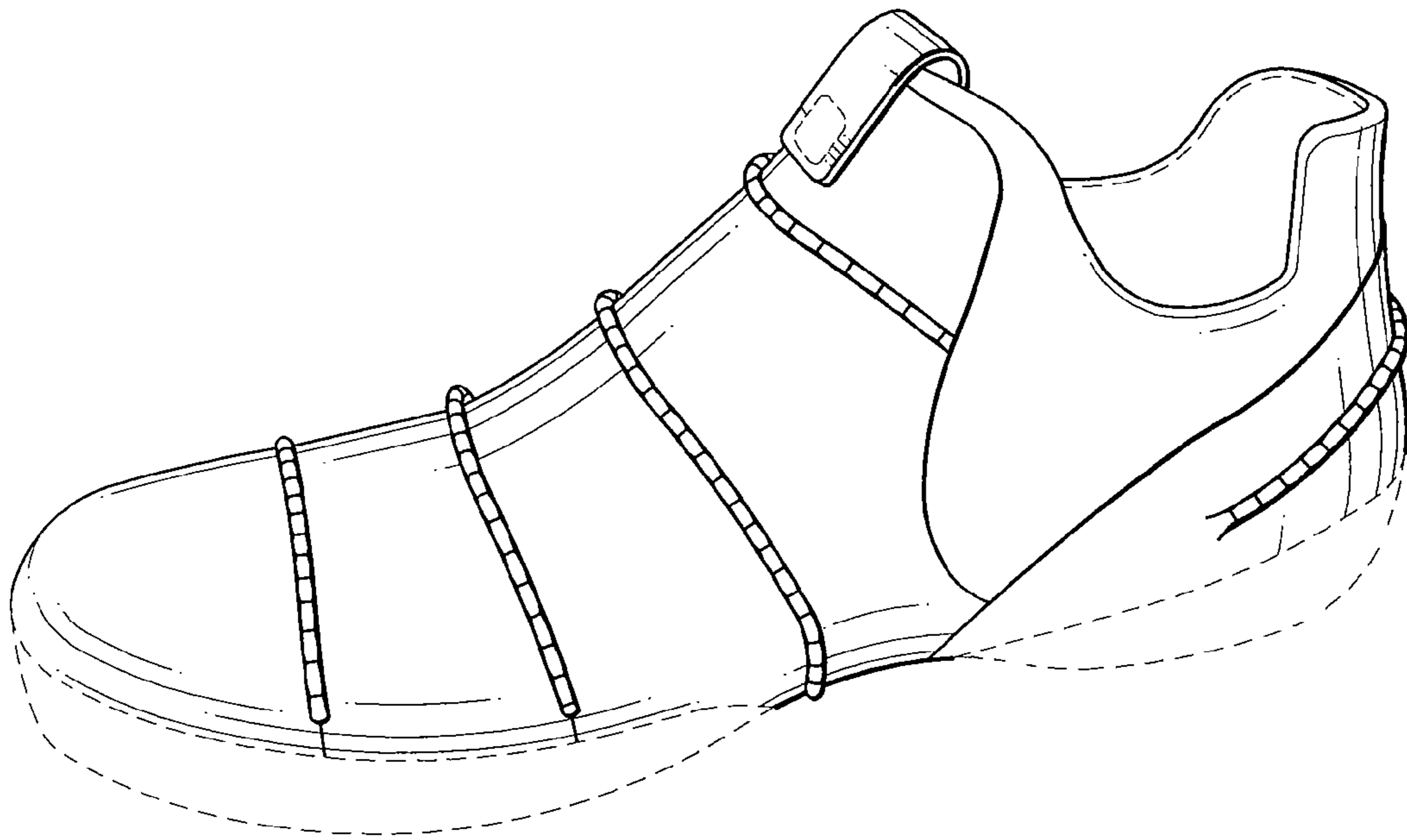


FIG. 1

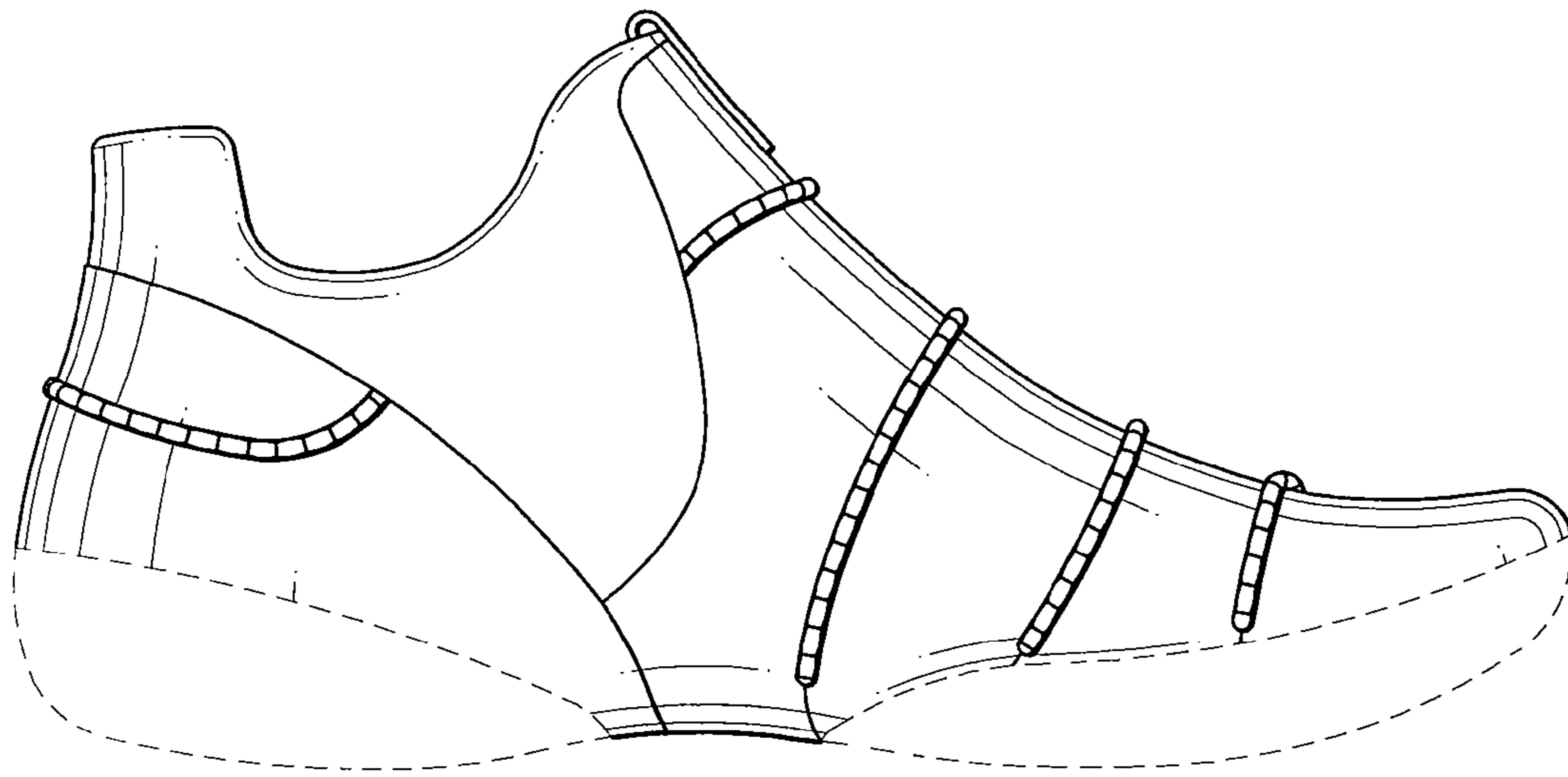


FIG. 2

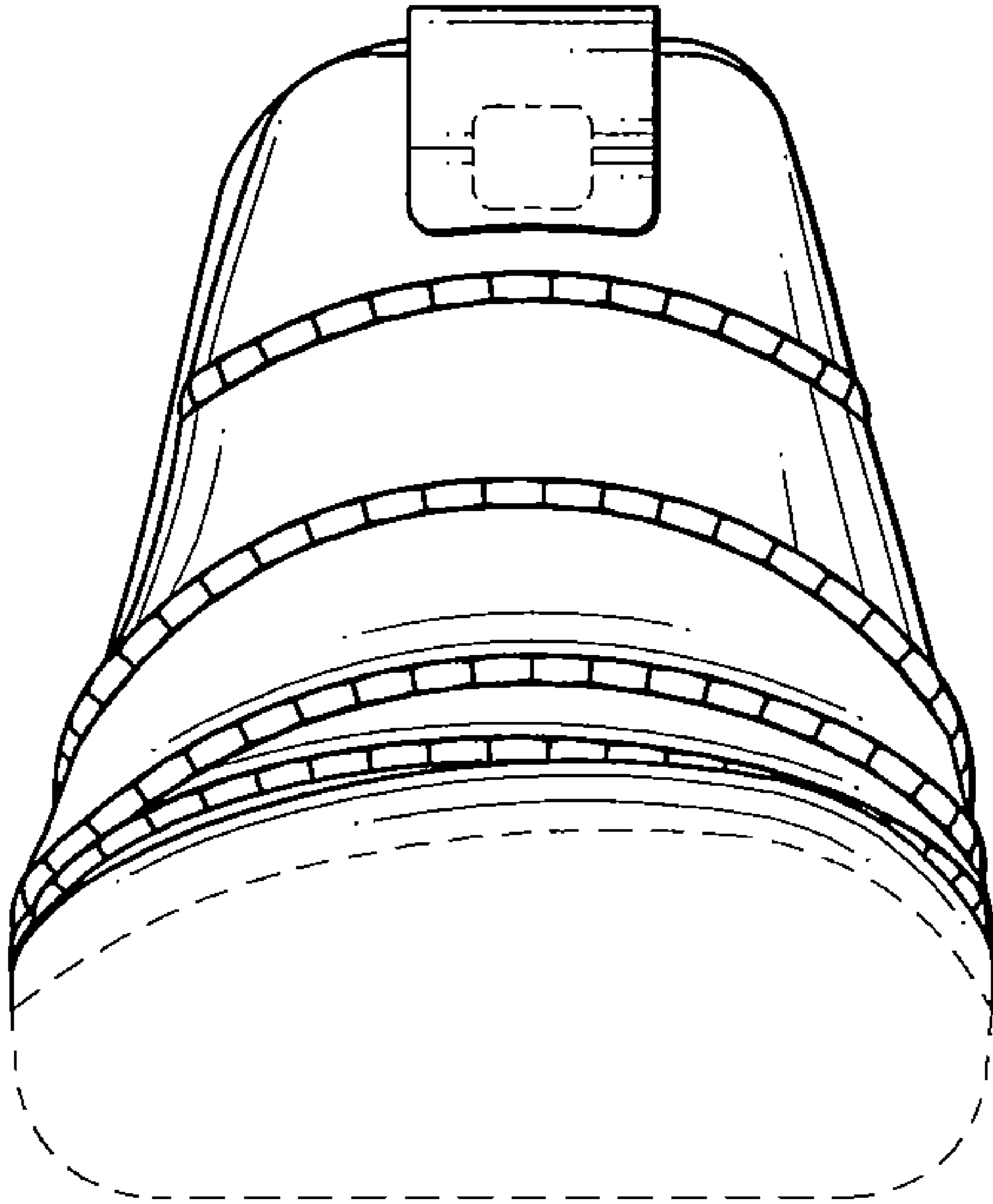


FIG. 3

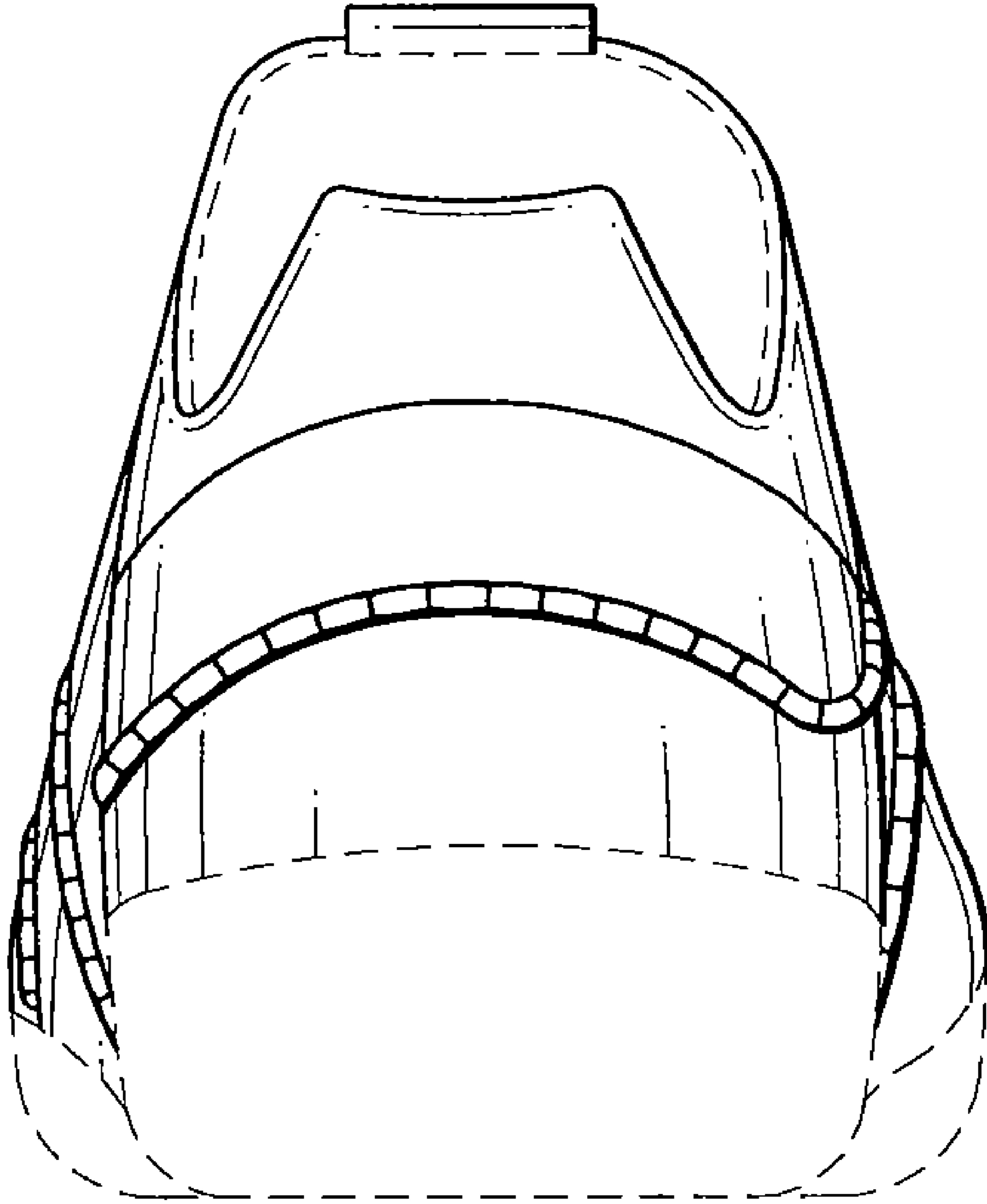


FIG. 4

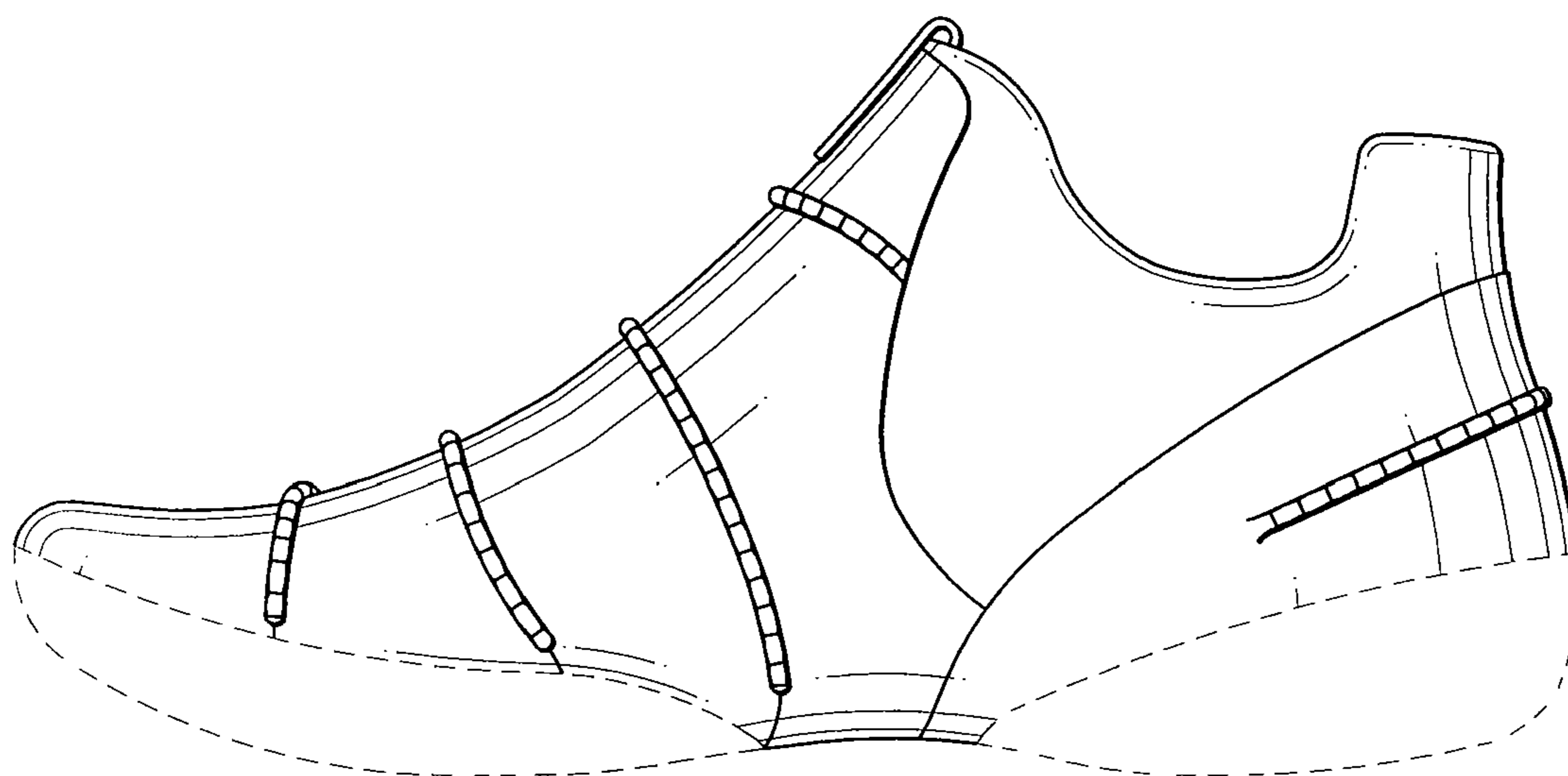


FIG. 5

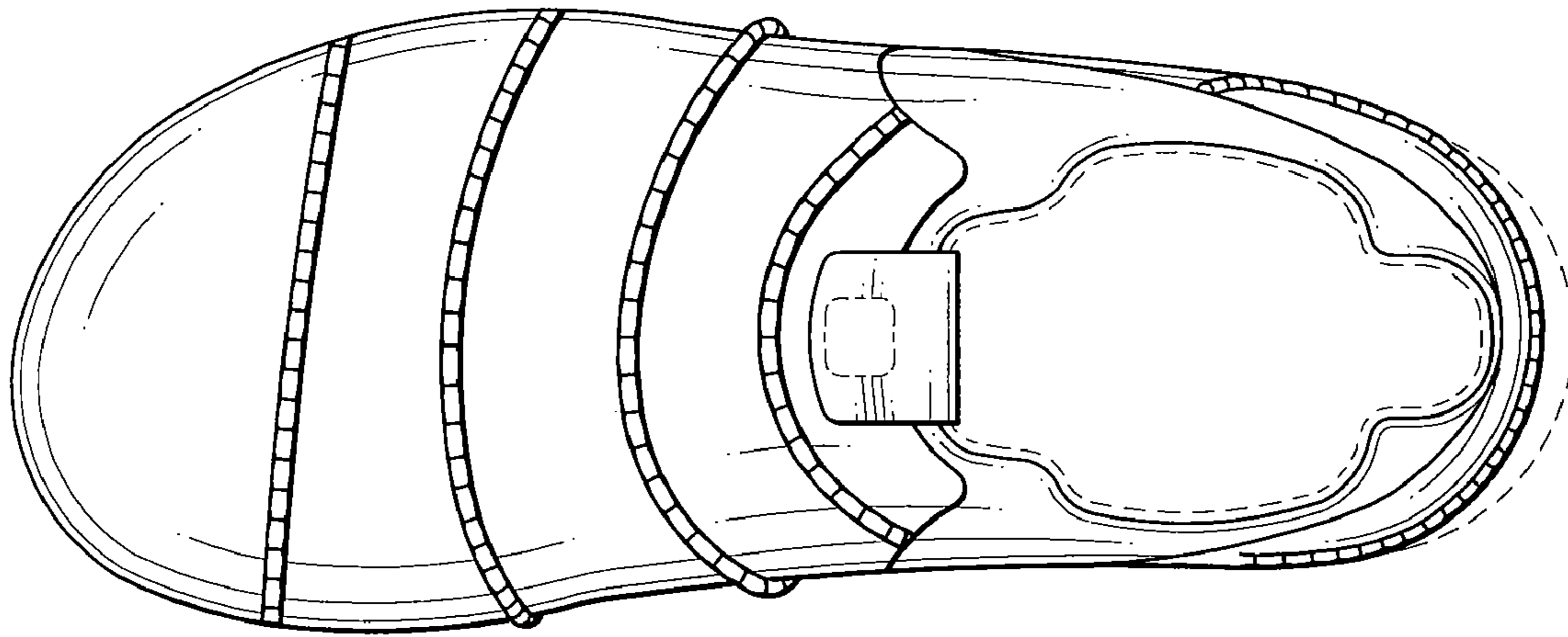


FIG. 6

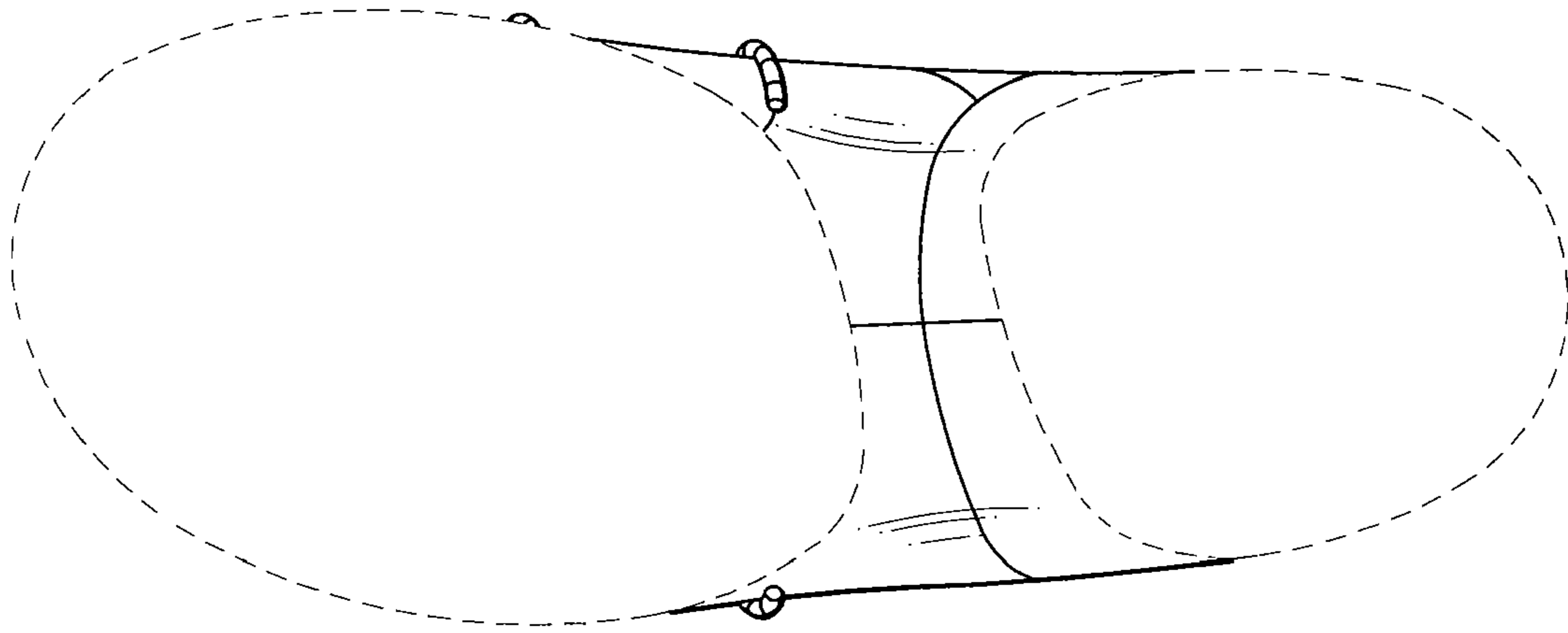


FIG. 7