



US00D633694S

(12) **United States Design Patent**
Korper

(10) **Patent No.:** **US D633,694 S**
(45) **Date of Patent:** **** Mar. 8, 2011**

(54) **CAP WITH BILL AND DIGITAL DEVICE VIEWING ENCLOSURE**

(75) Inventor: **George Korper**, Hendersonville, NC (US)

(73) Assignees: **George Korper**, Hendersonville, NC (US); **SKM Industries, Inc.**, Olyphant, PA (US)

(**) Term: **14 Years**

(21) Appl. No.: **29/375,027**

(22) Filed: **Sep. 16, 2010**

(51) **LOC (9) Cl.** **02-03**

(52) **U.S. Cl.** **D2/866**

(58) **Field of Classification Search** D2/865, D2/866, 875, 876, 877, 878, 879, 880, 881, D2/882, 883, 884, 885, 886, 887, 888, 891, D2/892, 893, 894, 895; D16/310, 311; D29/109; 2/10, 171, 171.4, 171.5, 171.7, 171.8, 175.1, 2/195.1, 195.2, 195.3, 195.4, 183, 200.3, 2/209.12, 209.13, 209.14, 209.3, 209.5, 209.7
See application file for complete search history.

(56) **References Cited**

U.S. PATENT DOCUMENTS

1,557,375	A *	10/1925	Stern	2/10
D136,539	S *	10/1943	Jones	D29/109
2,445,355	A *	7/1948	Hurt	2/10
2,522,938	A *	9/1950	Francis et al.	359/862
2,598,145	A *	5/1952	Steadman, Jr.	359/410
D176,871	S *	2/1956	Mantel	D16/312
3,346,876	A *	10/1967	Hutton	2/10
3,945,050	A *	3/1976	Bohash	2/195.1
D267,363	S *	12/1982	Wilson et al.	D2/884
D281,030	S *	10/1985	Posthumus	D2/884
D298,973	S *	12/1988	Bigbie, Jr.	D29/109
D302,608	S *	8/1989	LaPierre	D29/109
5,131,093	A *	7/1992	Rudenschold	2/10
D360,972	S *	8/1995	Bennett, Jr.	D2/865
5,689,830	A *	11/1997	Pflum	2/195.1

5,781,933	A *	7/1998	De Giacomo	2/195.1
D459,573	S *	7/2002	Schechter	D2/866
6,804,831	B2 *	10/2004	Guerra	2/209.11
D530,061	S *	10/2006	Alvarez-Calderon	D2/882
D530,487	S *	10/2006	Alvarez-Calderon	D2/882
D553,830	S *	10/2007	Landers	D2/882
7,340,781	B2 *	3/2008	Clark	2/209.13
D625,904	S *	10/2010	Korper	D2/866

* cited by examiner

Primary Examiner—Elizabeth A Albert

Assistant Examiner—Karen E Eldridge Powers

(74) *Attorney, Agent, or Firm*—Notaro, Michalos & Zaccaria P.C.

(57) **CLAIM**

The ornamental design for a cap with bill and digital device viewing enclosure, as shown and described.

DESCRIPTION

FIG. 1 is a top, right perspective view of a cap with bill and digital device viewing enclosure showing my new design therefor;

FIG. 2 is a side elevational view thereof;

FIG. 3 is a front elevational view thereof;

FIG. 4 is a rear elevational view thereof;

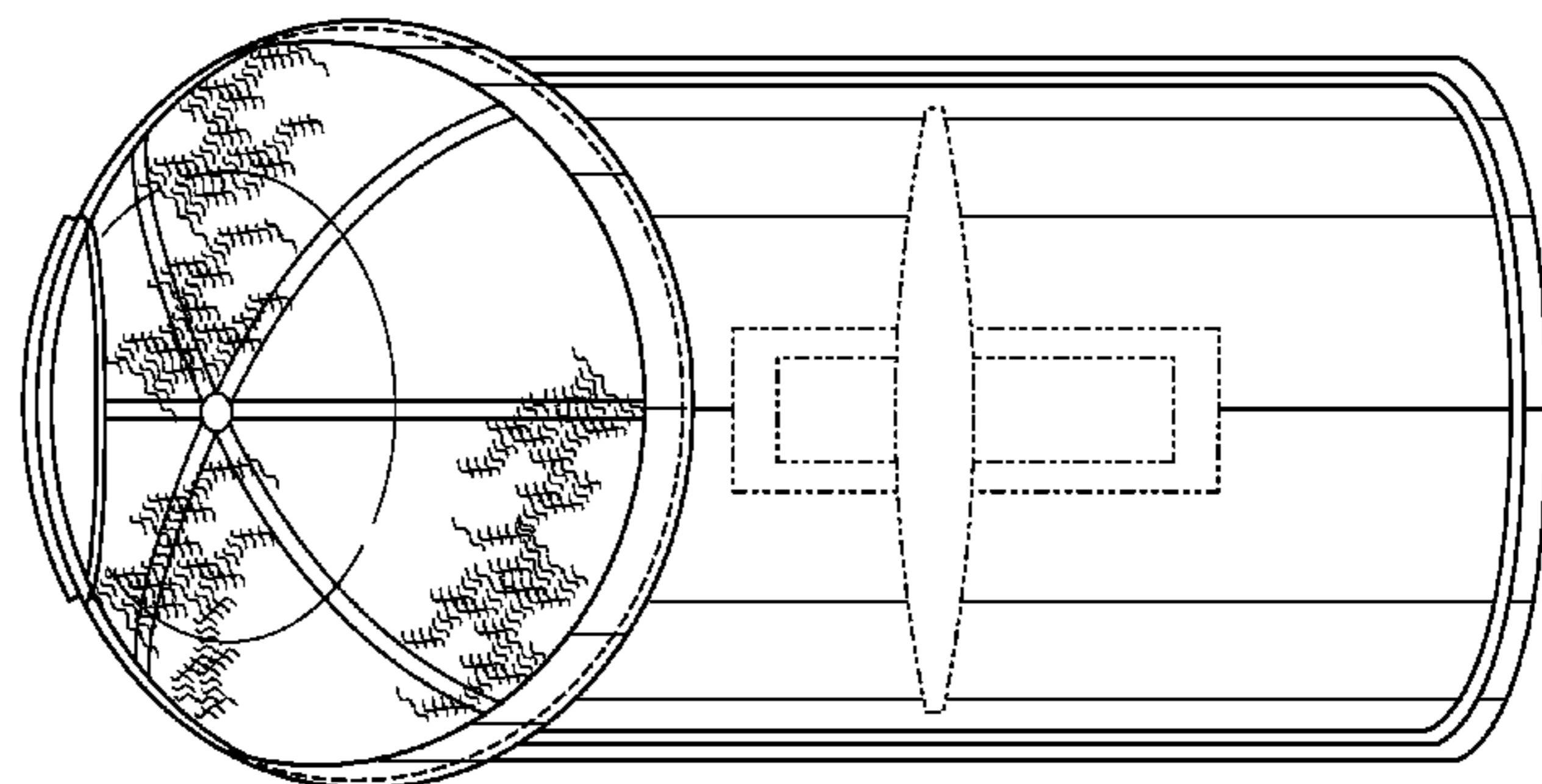
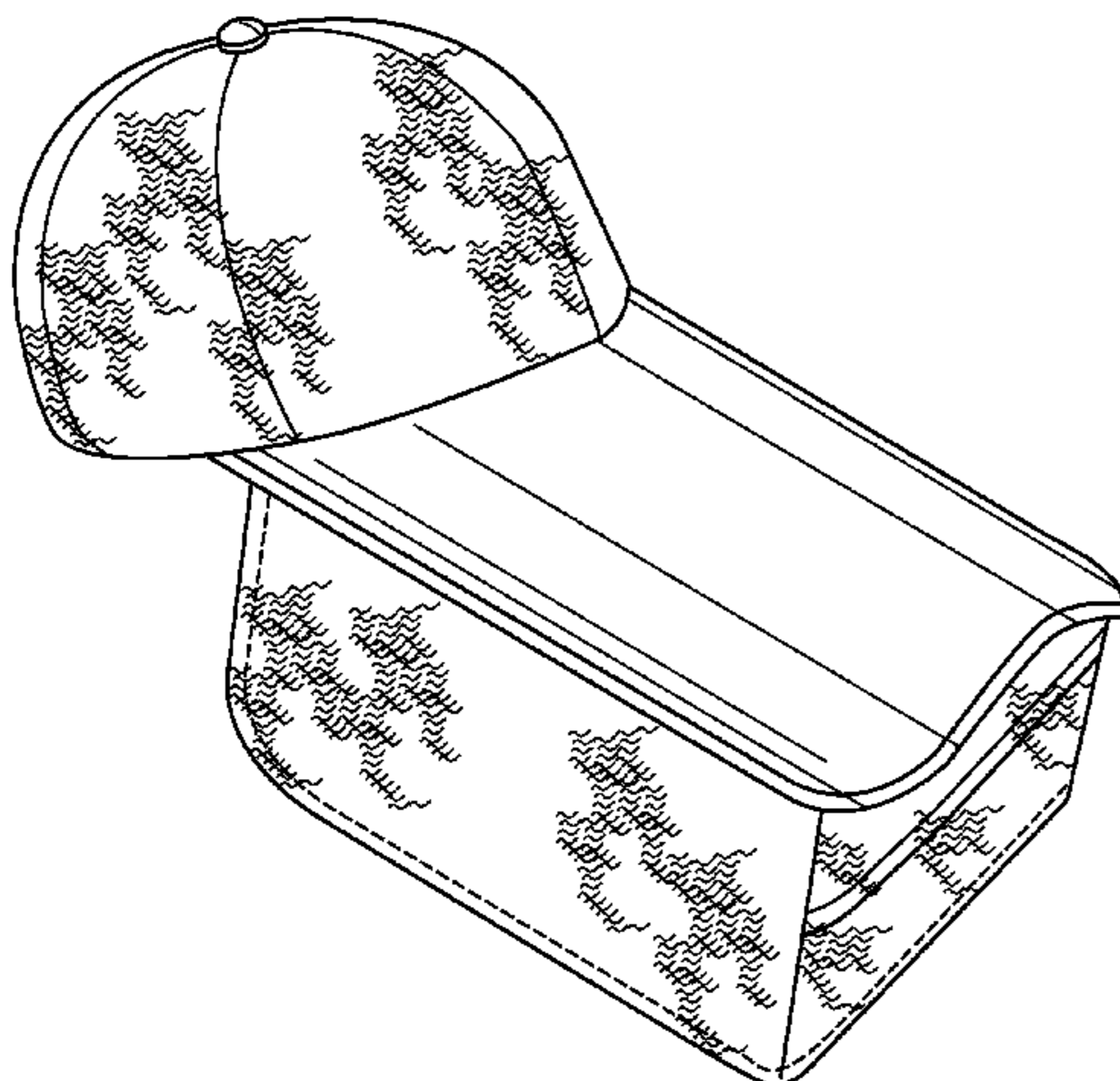
FIG. 5 is a top plan side elevational view thereof; and,

FIG. 6 is a bottom plan view thereof.

The uniformly-segmented broken lines shown on the inside edge of the crown and along the edge of the digital device viewing enclosure illustrate stitching and form a part of the claimed design. The short-short-long broken lines shown on the underside of the bill in FIG. 6 represent unclaimed environment.

The intermittent serpentine hatch marks shown on the surfaces of the crown and the viewing enclosure represent fabric, and are understood to be distributed uniformly over the surfaces of the claimed design upon which they reside.

1 Claim, 5 Drawing Sheets



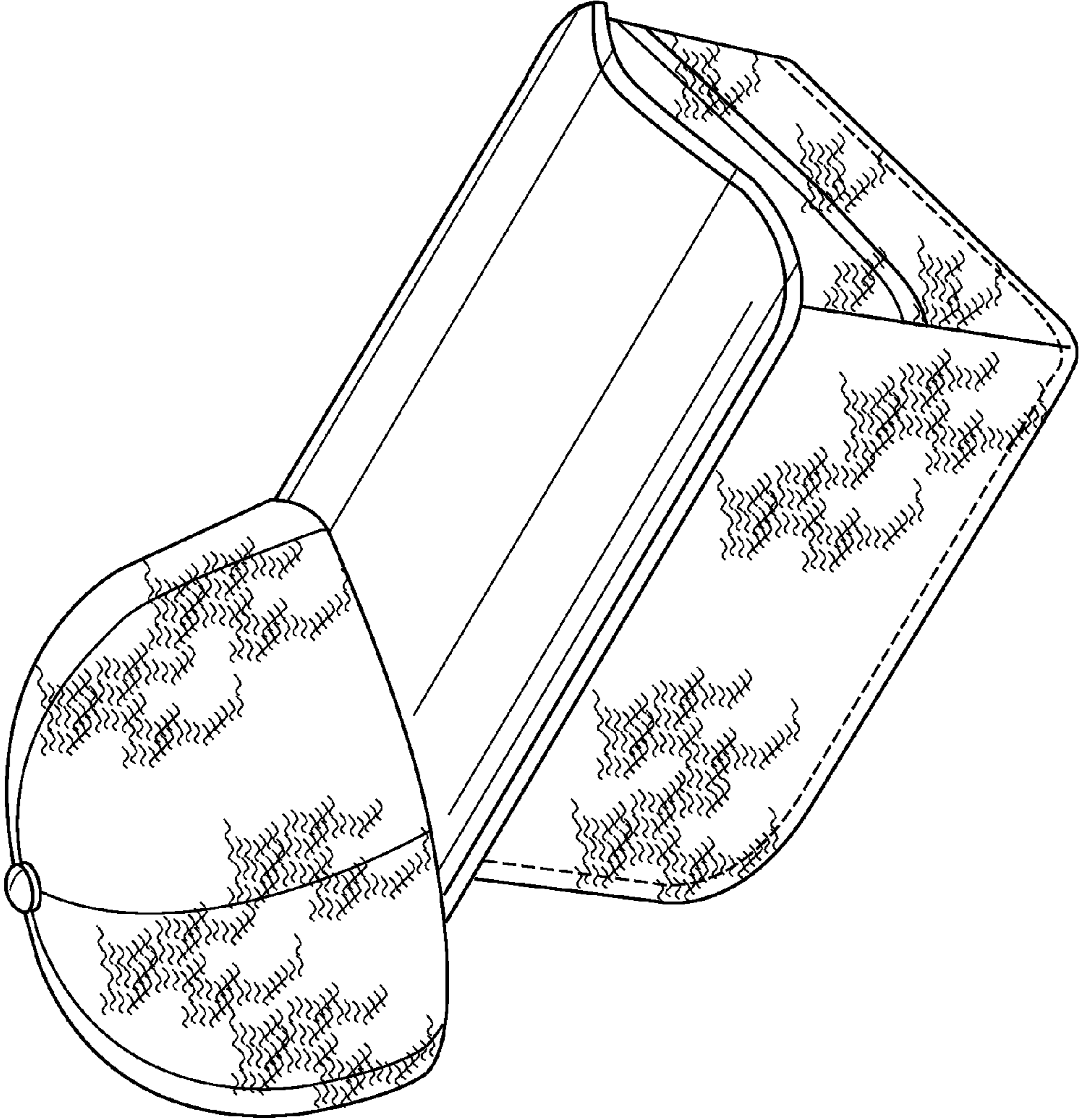


FIG. 1

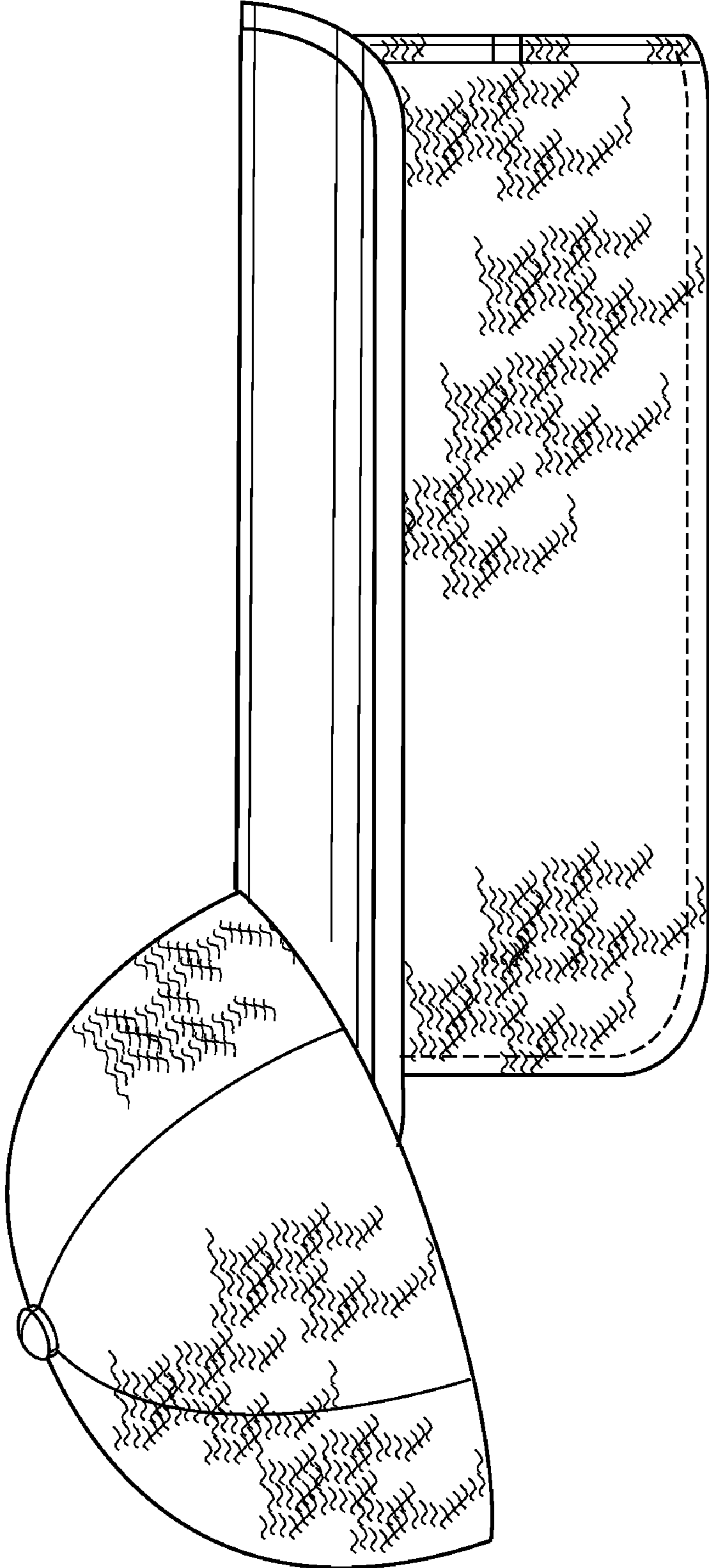


FIG. 2

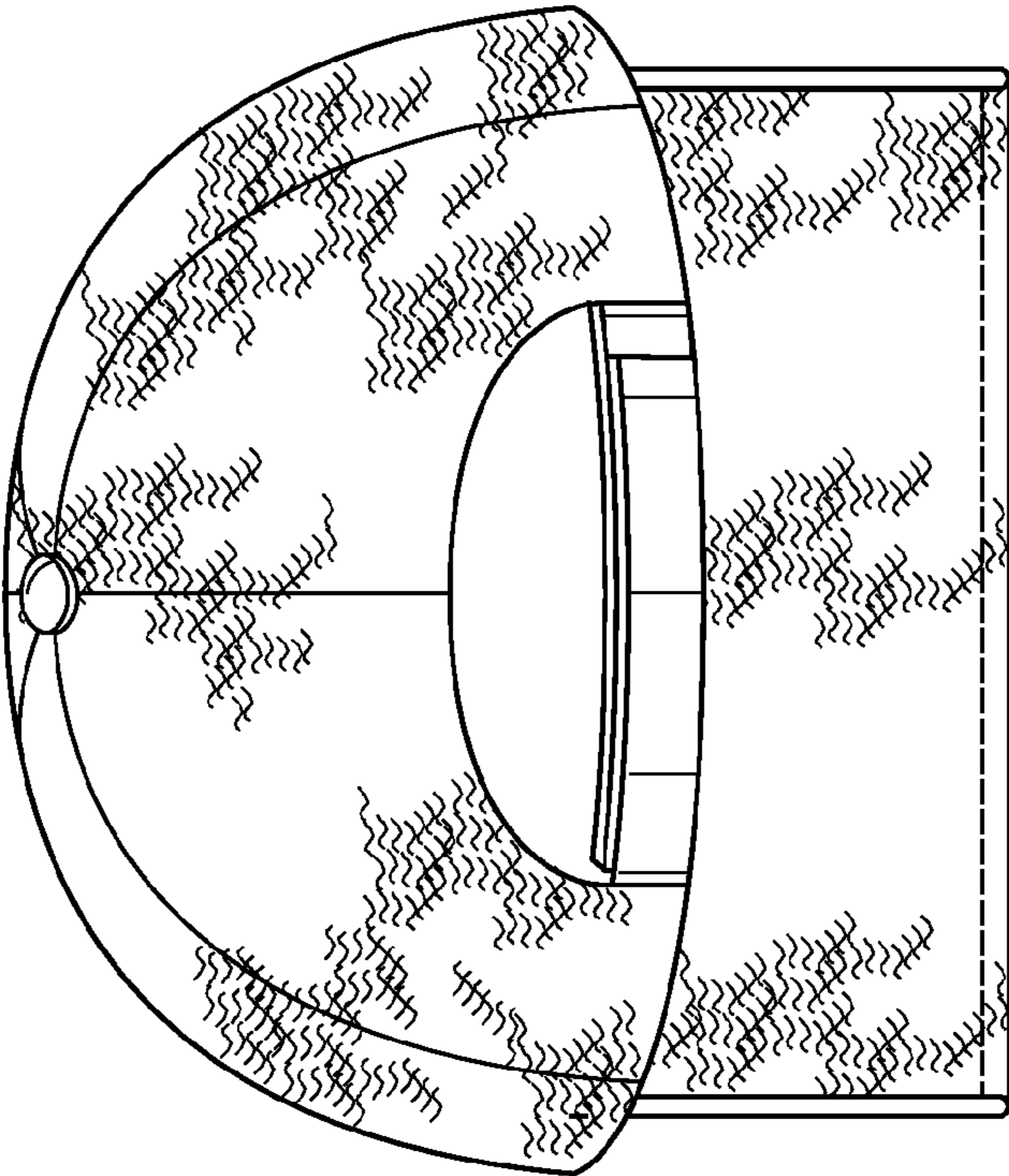


FIG. 4

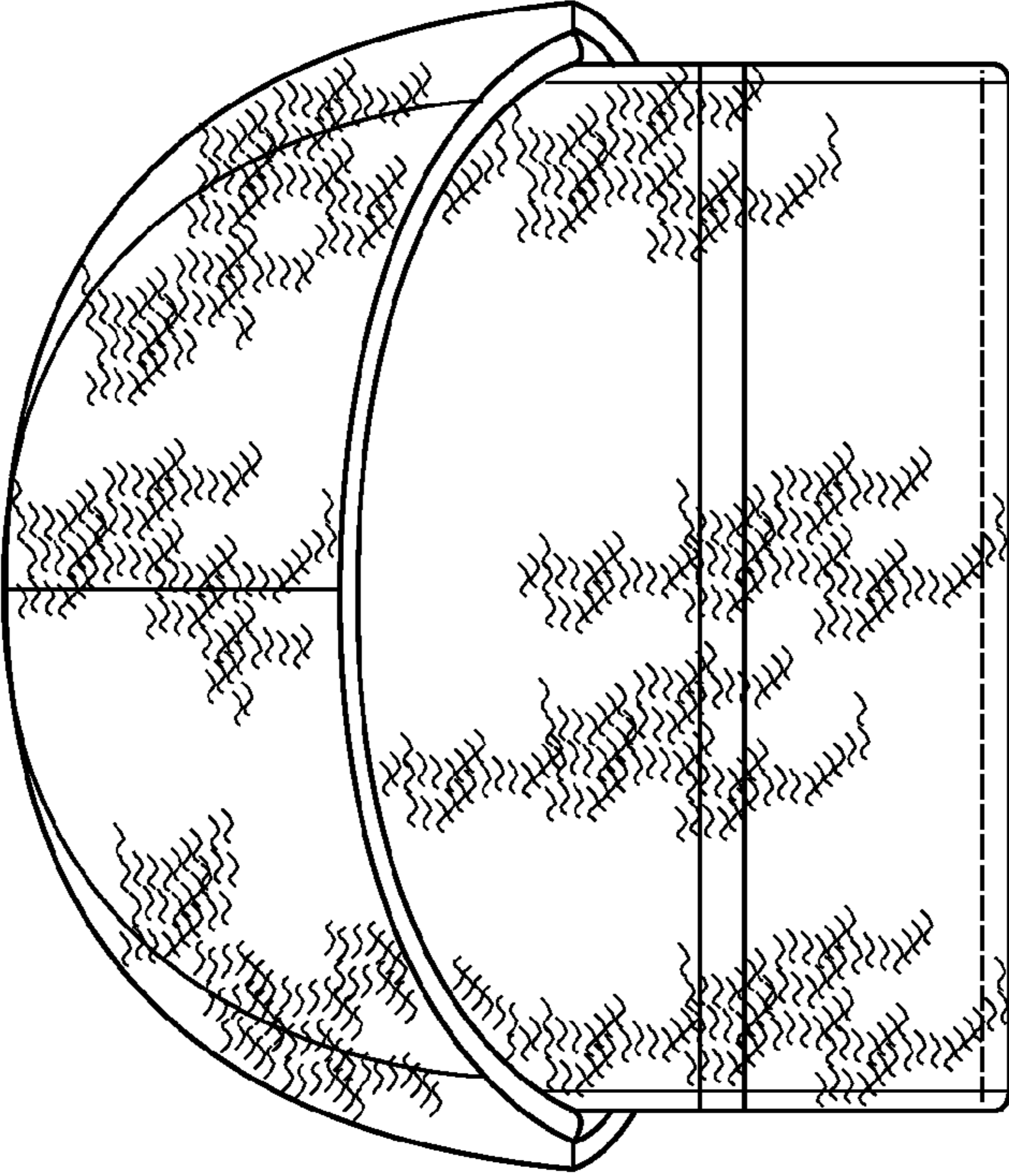


FIG. 3

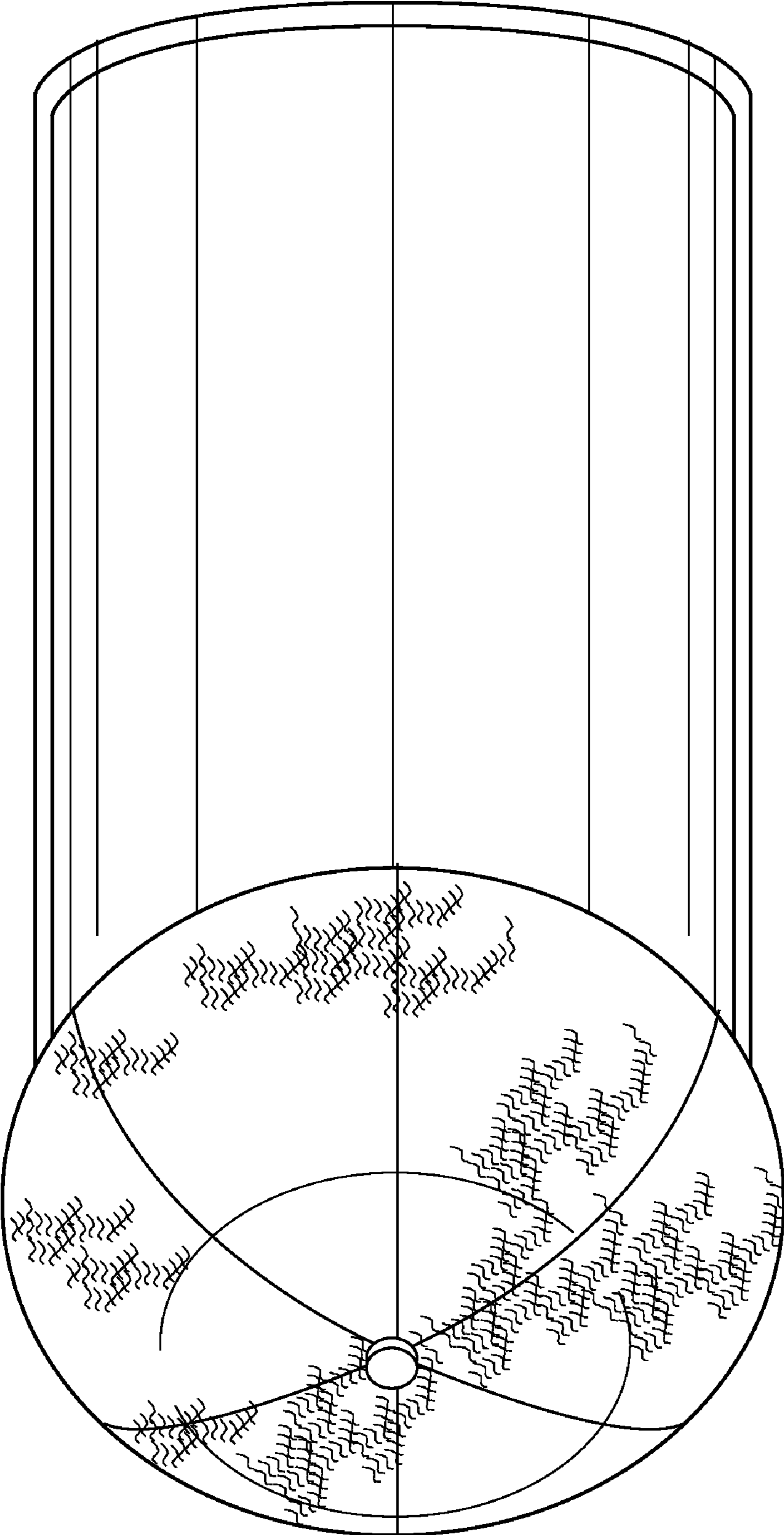


FIG. 5

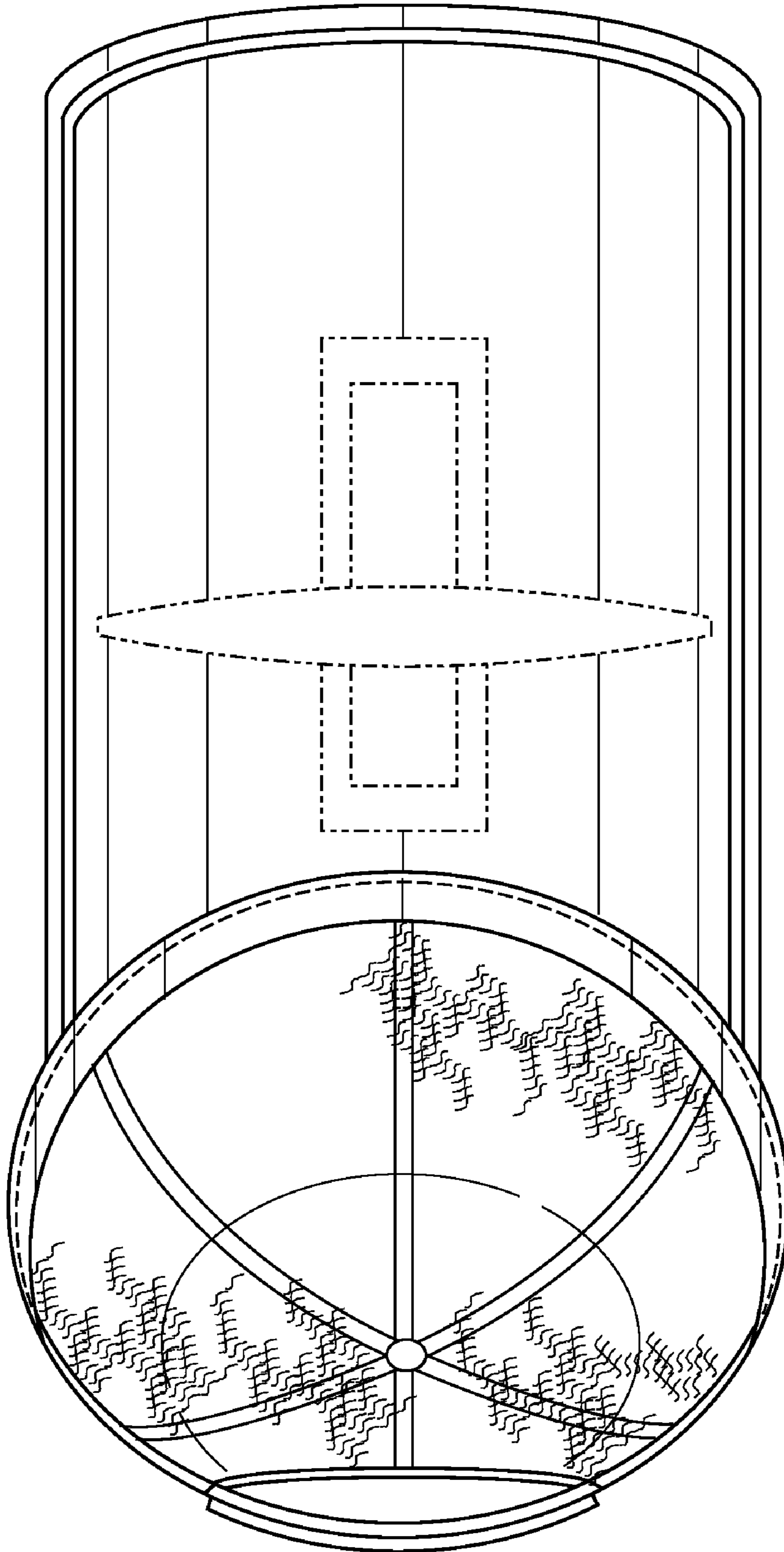


FIG. 6