



US00D633693S

(12) **United States Design Patent**  
**Boccardi**

(10) **Patent No.:** **US D633,693 S**

(45) **Date of Patent:** **\*\* Mar. 8, 2011**

(54) **DICKEY**

D588,339 S \* 3/2009 Dudzik ..... D2/826

(76) Inventor: **Paul Boccardi**, Monroe Township, NJ  
(US)

(\*\*) Term: **14 Years**

(21) Appl. No.: **29/345,728**

(22) Filed: **Oct. 21, 2009**

(51) **LOC (9) Cl.** ..... **02-01**

(52) **U.S. Cl.** ..... **D2/854; D2/860**

(58) **Field of Classification Search** ..... D2/854,  
D2/830, 853, 860-862, 602, 609; 2/46, 49.1,  
2/92, 103, 106, 108, 114, 119, 129, 455,  
2/462, 463, 91

See application file for complete search history.

(56) **References Cited**

**U.S. PATENT DOCUMENTS**

828,967	A *	8/1906	Reichblum	.....	2/91
D56,982	S *	1/1921	Leibold	.....	D2/854
D230,663	S *	3/1974	Fowler	.....	D2/854
3,823,417	A *	7/1974	Cluckey	.....	2/91
D290,904	S *	7/1987	Crouch	.....	D2/602
4,718,123	A *	1/1988	Petropoulos	.....	2/91
4,833,732	A *	5/1989	Harmsen	.....	2/103
4,975,982	A *	12/1990	Hughes	.....	2/49.1
5,483,701	A *	1/1996	Ferreyros	.....	2/49.1
6,532,596	B1 *	3/2003	Fosmo	.....	2/49.1

**OTHER PUBLICATIONS**

Google Image Result for [http://www.kinsco.com/images/W/Blauer\\_8109\\_TneckDickey.jpg](http://www.kinsco.com/images/W/Blauer_8109_TneckDickey.jpg). 1 page. retrieved on Sep. 2, 2010.\*

\* cited by examiner

*Primary Examiner*—Ian Simmons

*Assistant Examiner*—Wan Laymon

(74) *Attorney, Agent, or Firm*—Gottlieb, Rackman & Reisman, P.C.

(57) **CLAIM**

The ornamental design for a dickey, as shown and described.

**DESCRIPTION**

FIG. 1 is a front elevational view of a dickey showing my design;

FIG. 2 is a right side elevational view thereof, the left side elevational view being a mirror image thereof;

FIG. 3 is a top plan view thereof; and,

FIG. 4 is a rear elevational view thereof.

The broken lines are for illustrative purposes only and form no part of the claimed design. Further, the broken semi-square element of FIG. 1 and the broken semi-rectangular element of FIG. 4 are fasteners that are shown for illustrative purposes only and form no part of the claimed design.

**1 Claim, 2 Drawing Sheets**

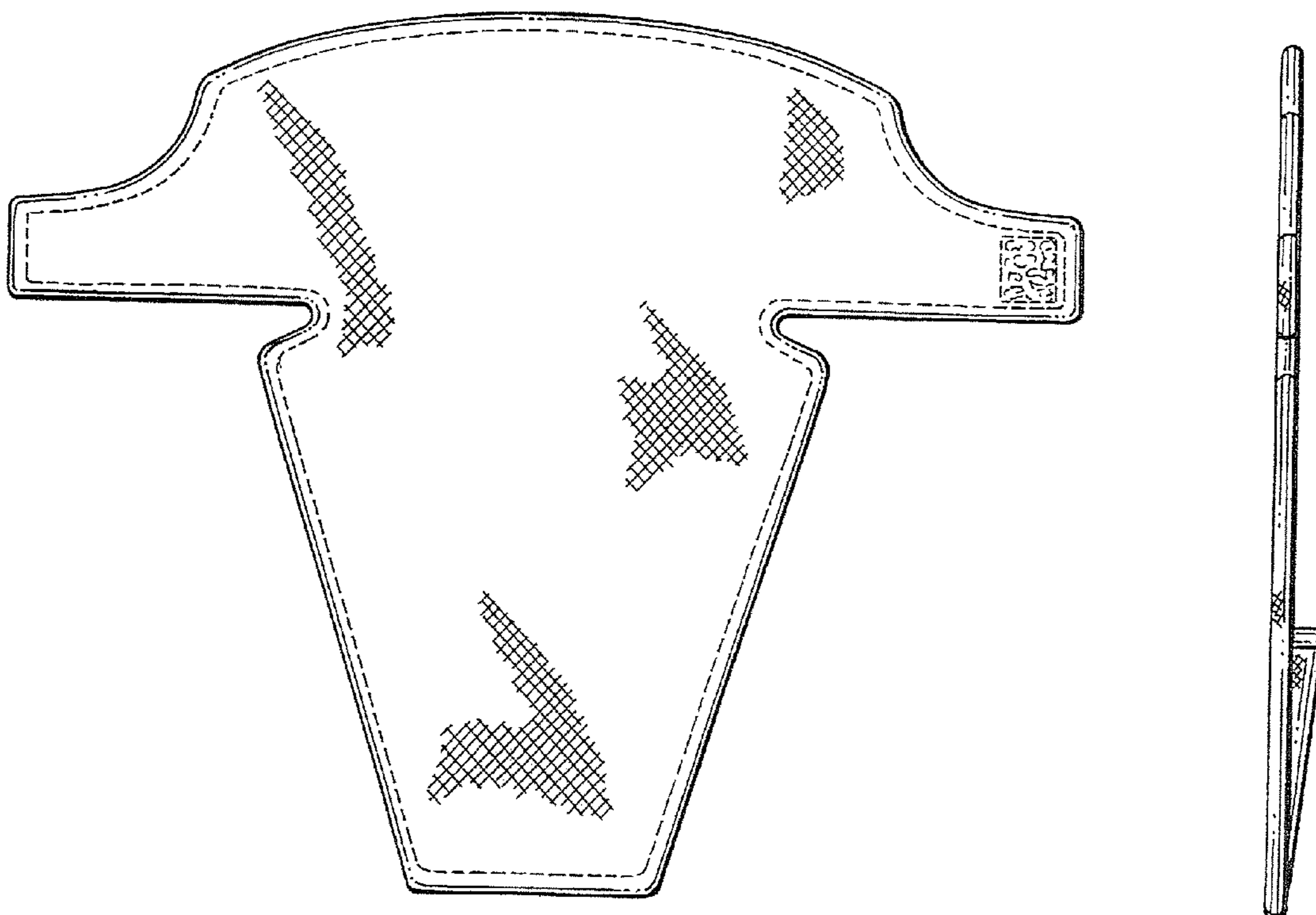


FIG. 1

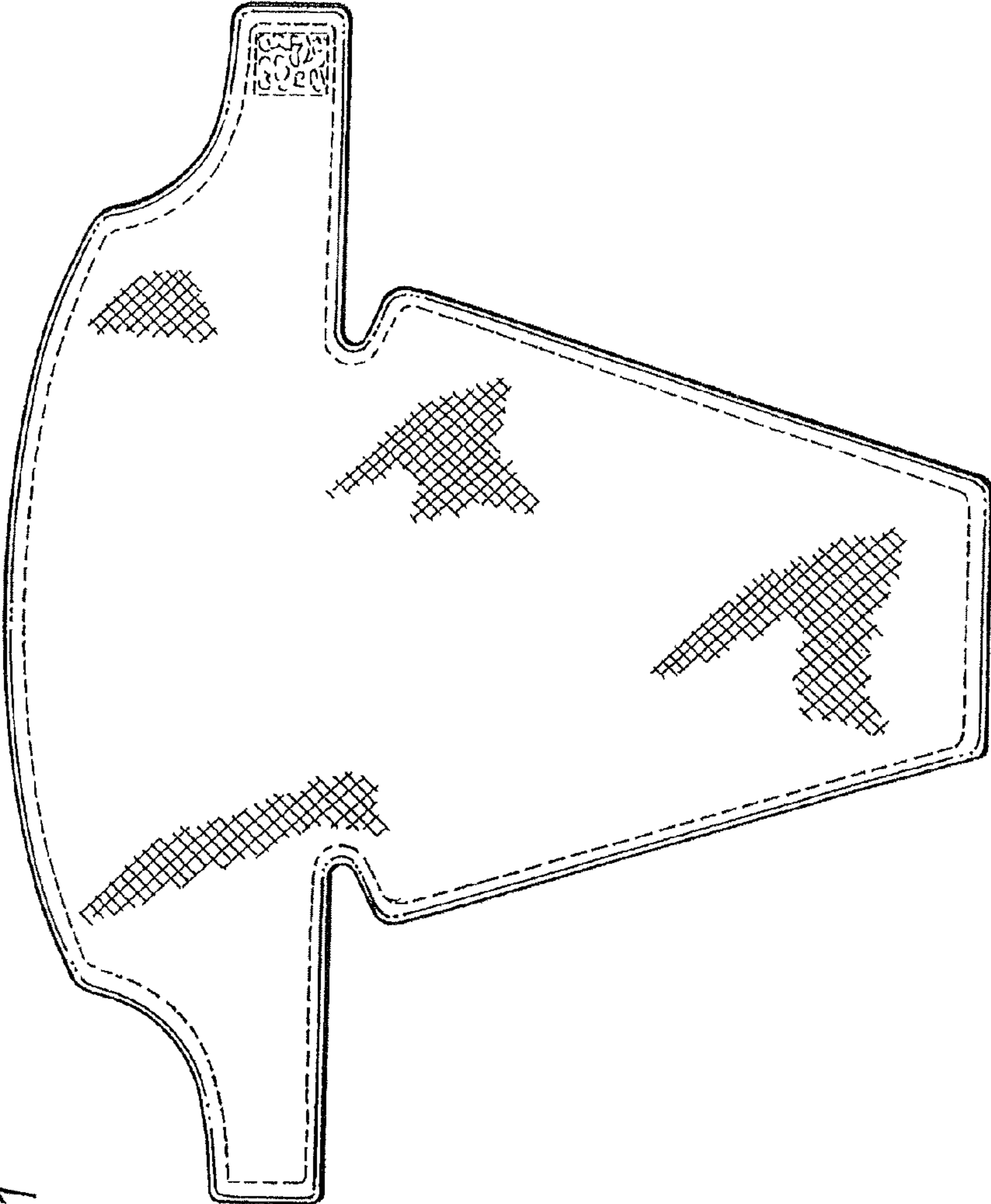


FIG. 2

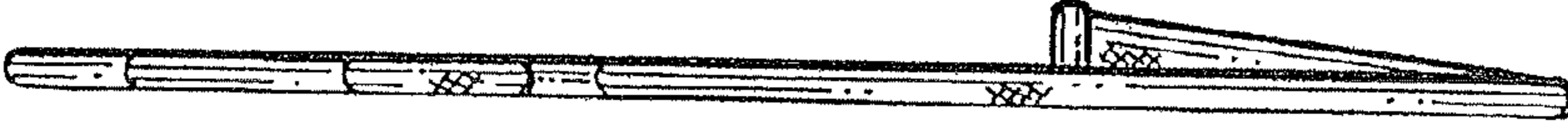


FIG. 3



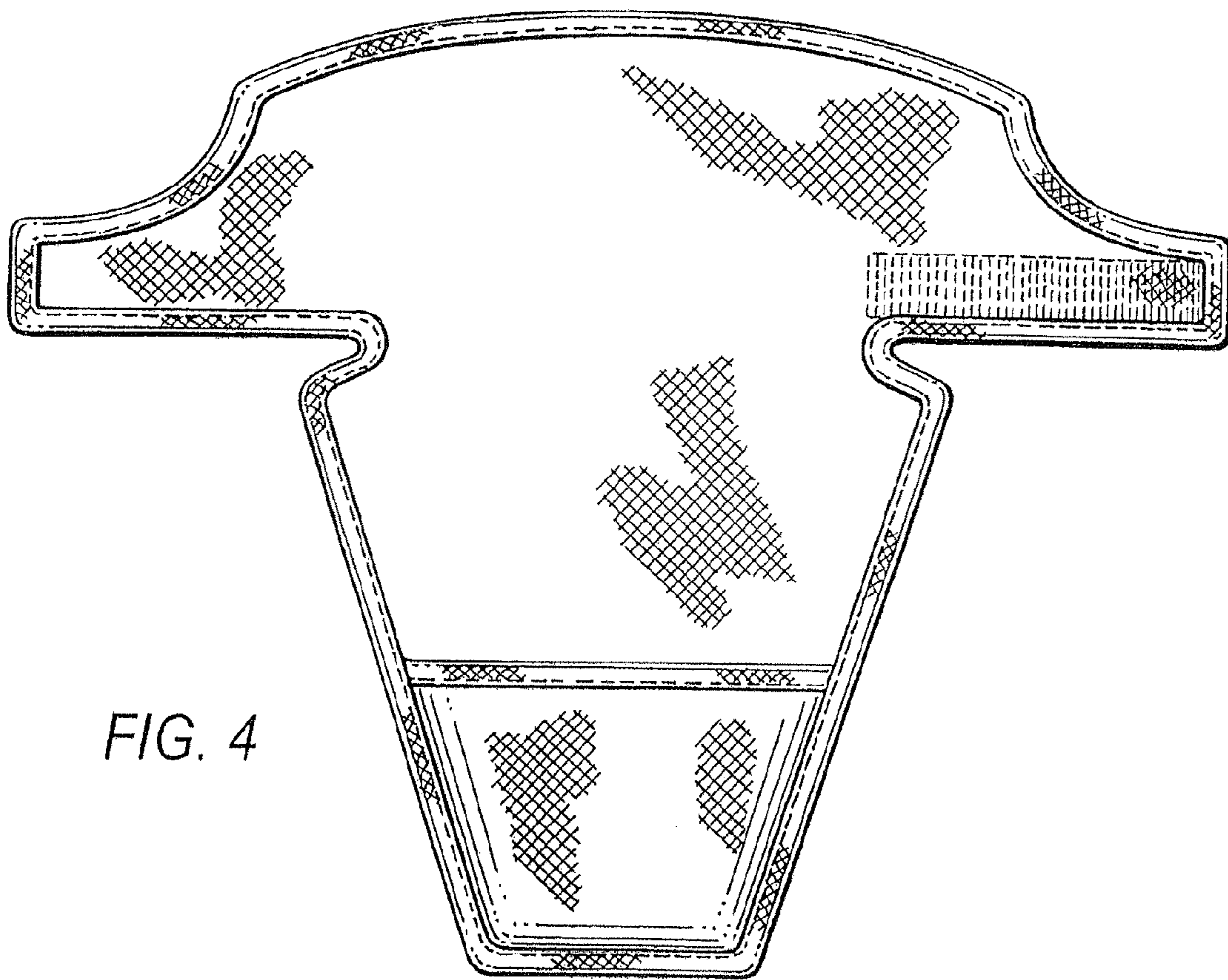


FIG. 4