



US00D633681S

(12) **United States Design Patent**
Gimeno et al.

(10) **Patent No.:** **US D633,681 S**
(45) **Date of Patent:** **** Mar. 1, 2011**

(54) **SHOPPING BASKET**

5,901,482 A 5/1999 Sawyer et al.

(75) Inventors: **Isabel Gimeno**, Zaragoza (ES); **Manuel Rodriguez**, Zaragoza (ES); **Jose Antonio Puertolas**, Zaragoza (ES)

(Continued)

FOREIGN PATENT DOCUMENTS

(73) Assignee: **Araven, S.L.**, Zaragoza (ES)

EP 0780068 6/1997

(**) Term: **14 Years**

(Continued)

OTHER PUBLICATIONS

(21) Appl. No.: **29/352,678**

International Search Report and Written Opinion of the International Searching Authority dated, Apr. 19, 2005.

(22) Filed: **Dec. 23, 2009**

(Continued)

Related U.S. Application Data

(60) Division of application No. 29/306,355, filed on Apr. 8, 2008, which is a continuation-in-part of application No. 11/054,419, filed on Feb. 9, 2005, now Pat. No. 7,431,312.

Primary Examiner—Cynthia E Ramirez

(74) *Attorney, Agent, or Firm*—Katten Muchin Rosenman LLP

(30) **Foreign Application Priority Data**

Nov. 18, 2004 (ES) P200402780

(57) **CLAIM**

The ornamental design for a shopping basket, as shown and described.

(51) **LOC (9) Cl.** **12-02**

(52) **U.S. Cl.** **D34/24**

(58) **Field of Classification Search** D34/12-27; 280/47.38, 47.19, 47.24, 47.26, 79.3
See application file for complete search history.

DESCRIPTION

FIG. 1 is a front perspective of a shopping basket with a second type of removable panel mounted on the front and the extendable handle in the stored position, the shopping basket being shown with wall openings in the left side, right side, front and rear walls,

FIG. 2 is a front view thereof,

FIG. 3 is a right side view thereof, the left side view thereof being a minor image of the right side view,

FIG. 4 is a top view thereof,

FIG. 5 is a rear view thereof,

FIG. 6 is a bottom view thereof; and,

FIG. 7 is a rear perspective view thereof with the extendable handle in the extended position.

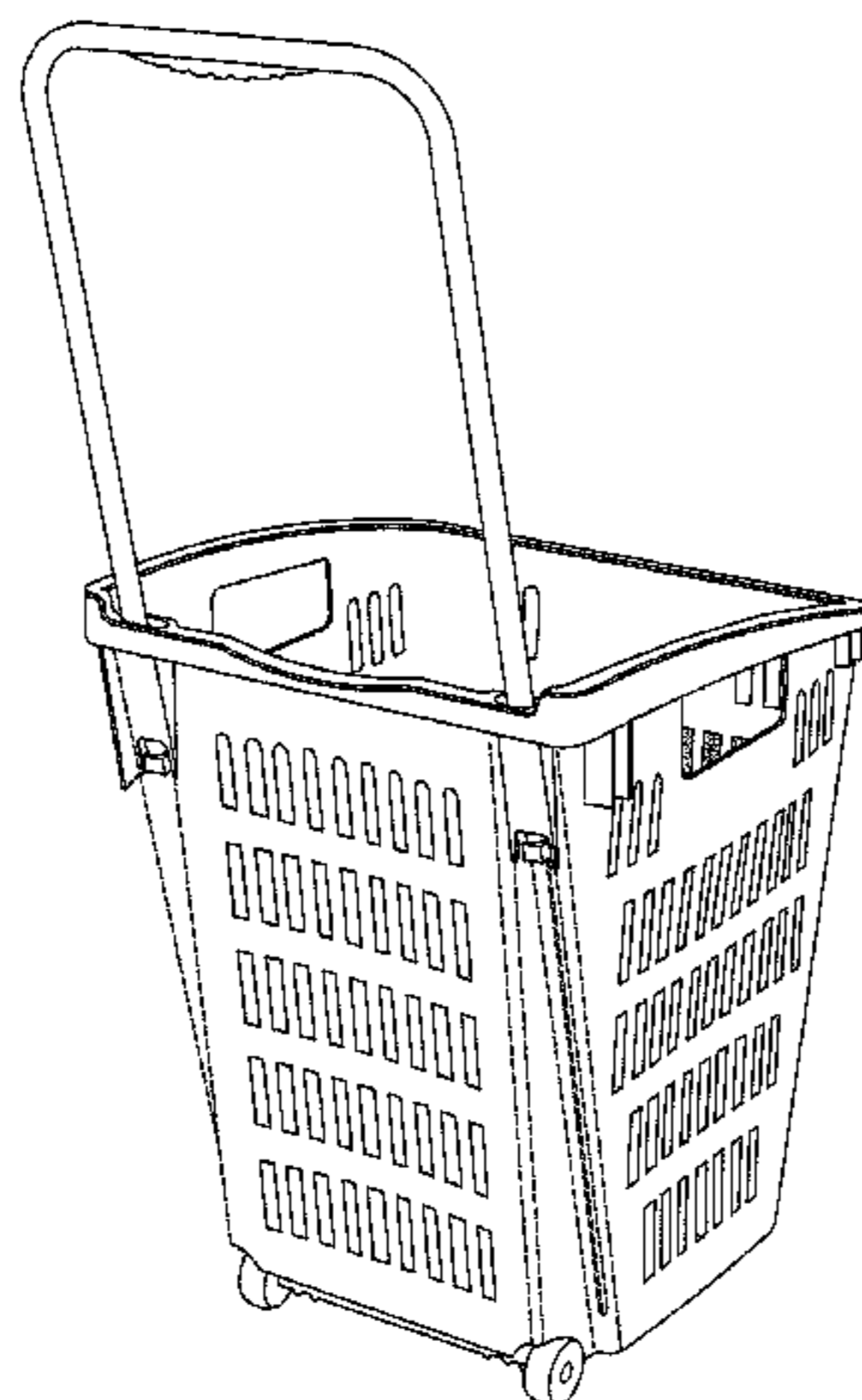
The broken lines shown do not form part of the claimed design.

(56) **References Cited**

U.S. PATENT DOCUMENTS

- 1,689,448 A 10/1928 Moynahan
- 3,346,271 A 10/1967 Parsons
- 3,677,570 A 7/1972 Hedu
- 4,185,848 A 1/1980 Holtz
- 4,217,711 A 8/1980 Spresser et al.
- 4,238,897 A 12/1980 Byers
- 4,765,074 A 8/1988 Loos
- 4,765,077 A 8/1988 Rosenthal et al.
- 4,773,175 A 9/1988 Larsen
- 4,805,331 A 2/1989 Boggess et al.
- 4,871,209 A 10/1989 Handelman
- 5,469,986 A 11/1995 Jang

1 Claim, 7 Drawing Sheets



US D633,681 S

Page 2

U.S. PATENT DOCUMENTS

5,988,334	A	11/1999	Caruso	
6,036,204	A	3/2000	Craft et al.	
6,079,720	A	6/2000	Spear et al.	
6,116,390	A	9/2000	Cohen	
6,179,176	B1	1/2001	Saggese et al.	
6,193,033	B1	2/2001	Sadow et al.	
D440,020	S	4/2001	Ronson et al.	
6,349,951	B1	2/2002	Mogensen et al.	
6,431,580	B1	8/2002	Kady	
D468,619	S	1/2003	Nofziger et al.	
6,543,795	B1	4/2003	Merced Ferrer	
6,651,992	B1	11/2003	Smith	
D486,619	S	2/2004	Rivera et al.	
D533,327	S *	12/2006	McCaskill	D34/17
D544,159	S	6/2007	McCoy et al.	
D546,511	S	7/2007	Luster et al.	
7,252,295	B2 *	8/2007	Bludworth	280/33.991
D563,620	S *	3/2008	Dong	D34/19
7,494,136	B2 *	2/2009	Alves et al.	280/33.998
2002/0171288	A1	11/2002	Ahlgren	
2005/0087415	A1	4/2005	Gorga et al.	
2005/0140119	A1	6/2005	Wong	
2006/0103087	A1 *	5/2006	Alcala Sebastian	280/47.26
2008/0309036	A1 *	12/2008	Overland	280/33.992

FOREIGN PATENT DOCUMENTS

EP	1407956	4/2004
----	---------	--------

ES	1000984	12/1986
ES	1027023	2/1994
ES	1032273	10/1995
ES	2159178	9/2001
WO	98/132269	4/1998

OTHER PUBLICATIONS

European Patent Application 1834539—Araven S.A. Observations under Article 115 EPC.
 Non-final Office Action dated Sep. 29, 2009, from corresponding U.S. Appl. No. 29/306,355.
 Non-final Office Action dated Jan. 27, 2010, from corresponding U.S. Appl. No. 29/306,355.
 Non-final Office Action dated May 11, 2009 from corresponding U.S. Appl. No. 12/190,142.
 Final Office Action dated Jan. 7, 2010 from corresponding U.S. Appl. No. 12/190,142.
 Final Office Action dated Jan. 13, 2010 from corresponding U.S. Appl. No. 12/190,142.
 Non-final Office Action dated Feb. 6, 2007 from corresponding U.S. Appl. No. 11/054,419.
 Final Office Action dated Jul. 18, 2007 from corresponding U.S. Appl. No. 11/054,419.
 U.S. Office Action dated Jul. 7, 2010, from corresponding U.S. Appl. No. 29/352,675.
 U.S. Office Action dated Jul. 8, 2010, from corresponding U.S. Appl. No. 29/352,677.

* cited by examiner

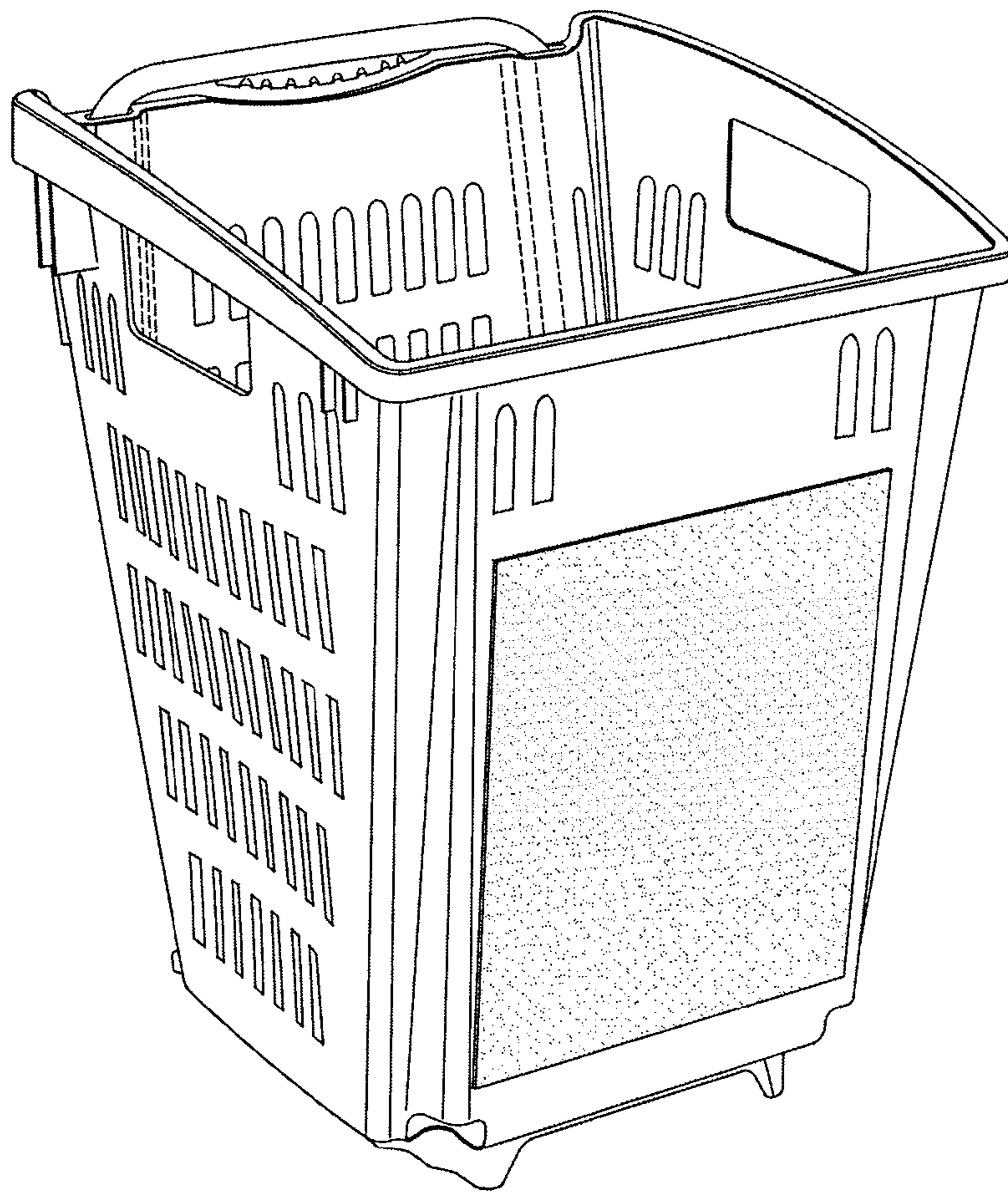


FIG. 1

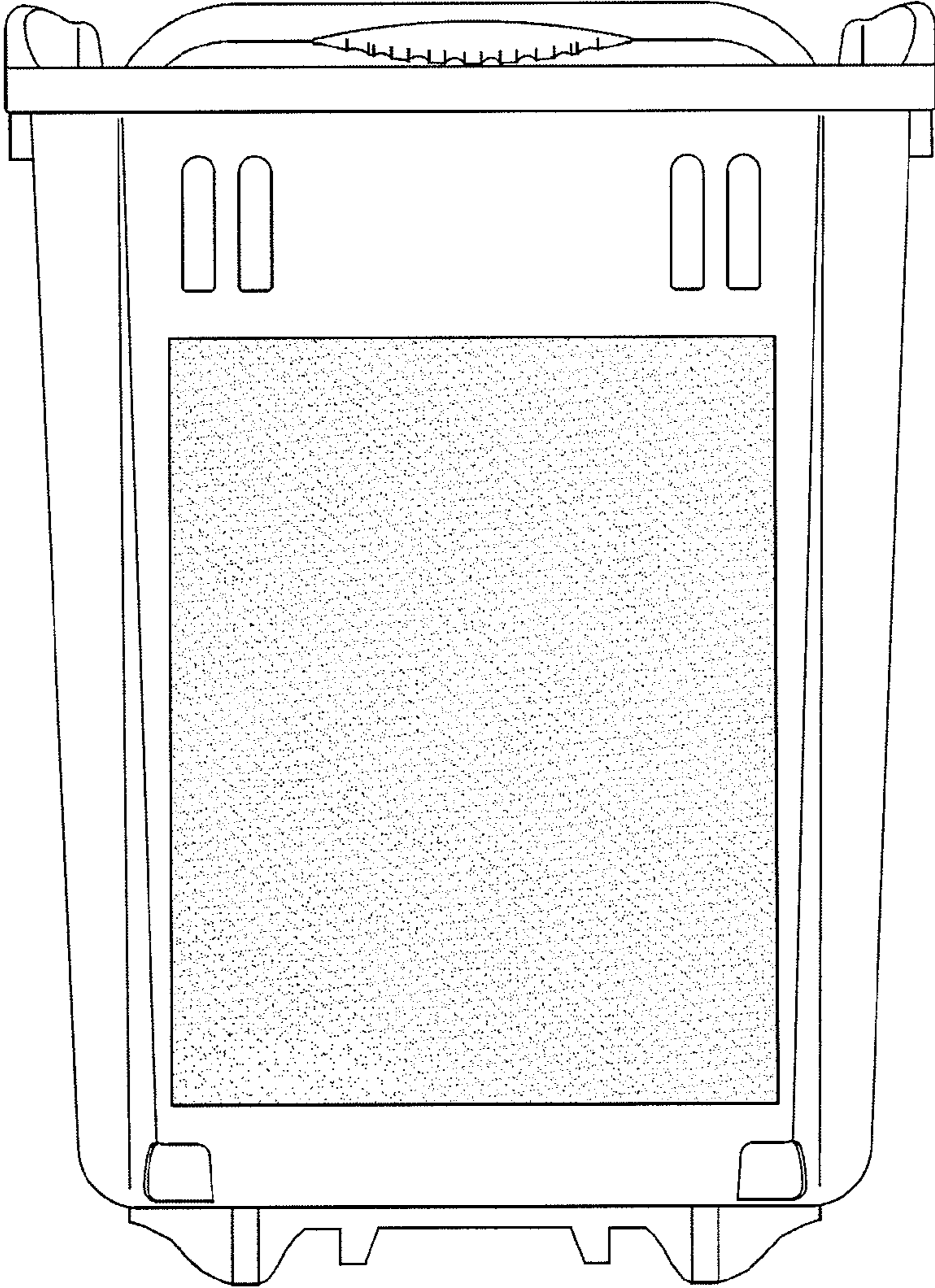


FIG. 2

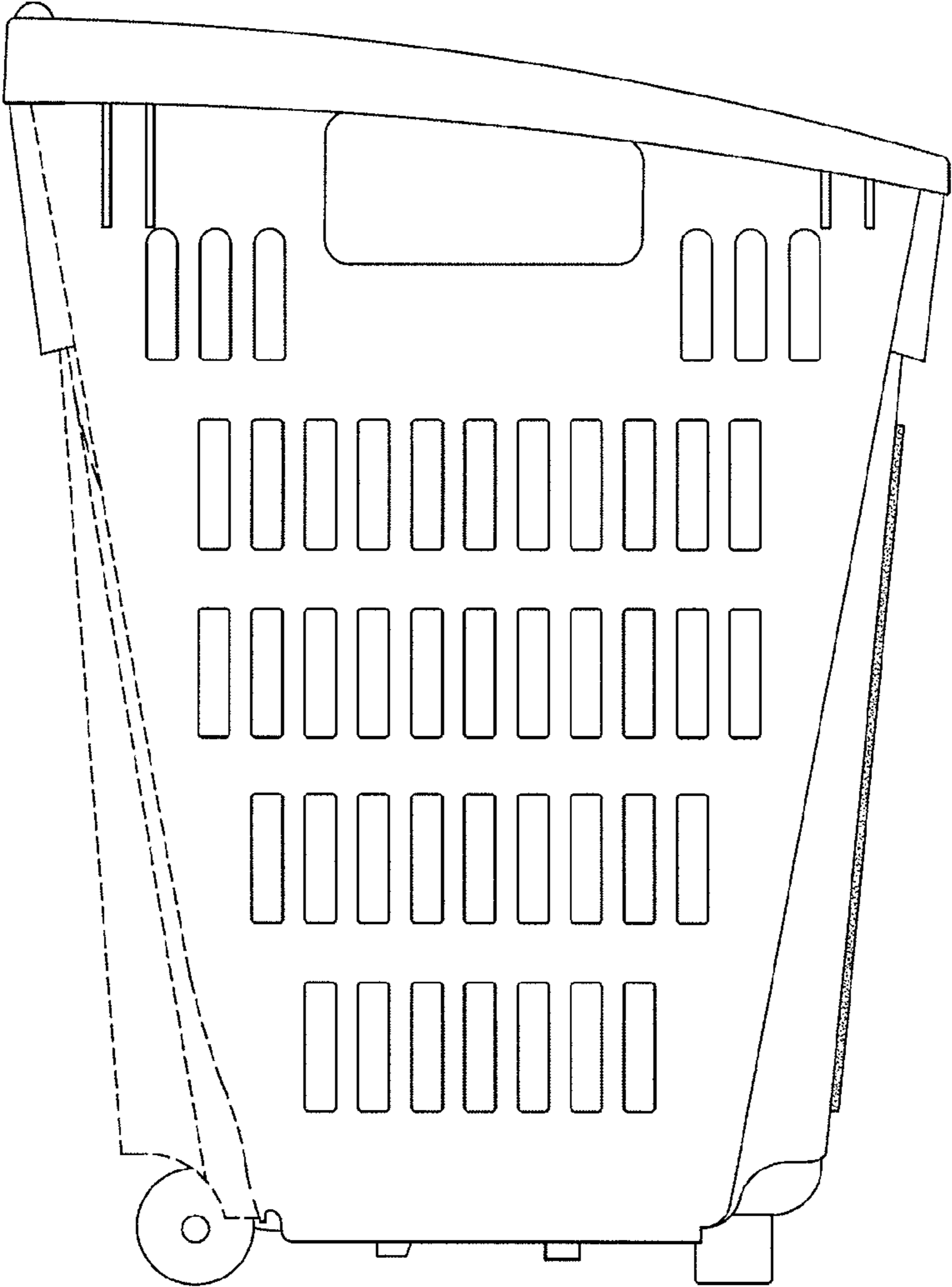


FIG. 3

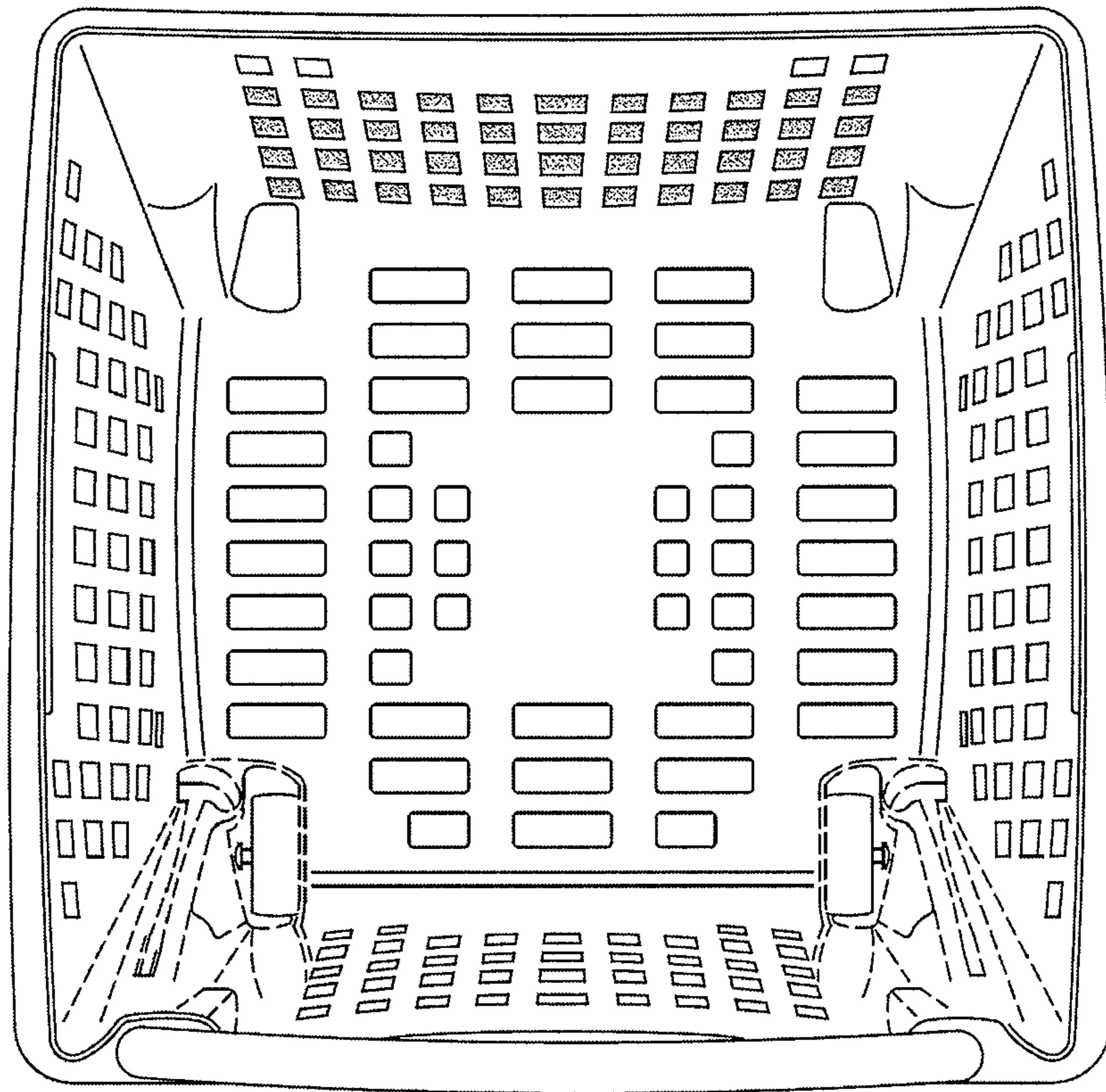


FIG. 4

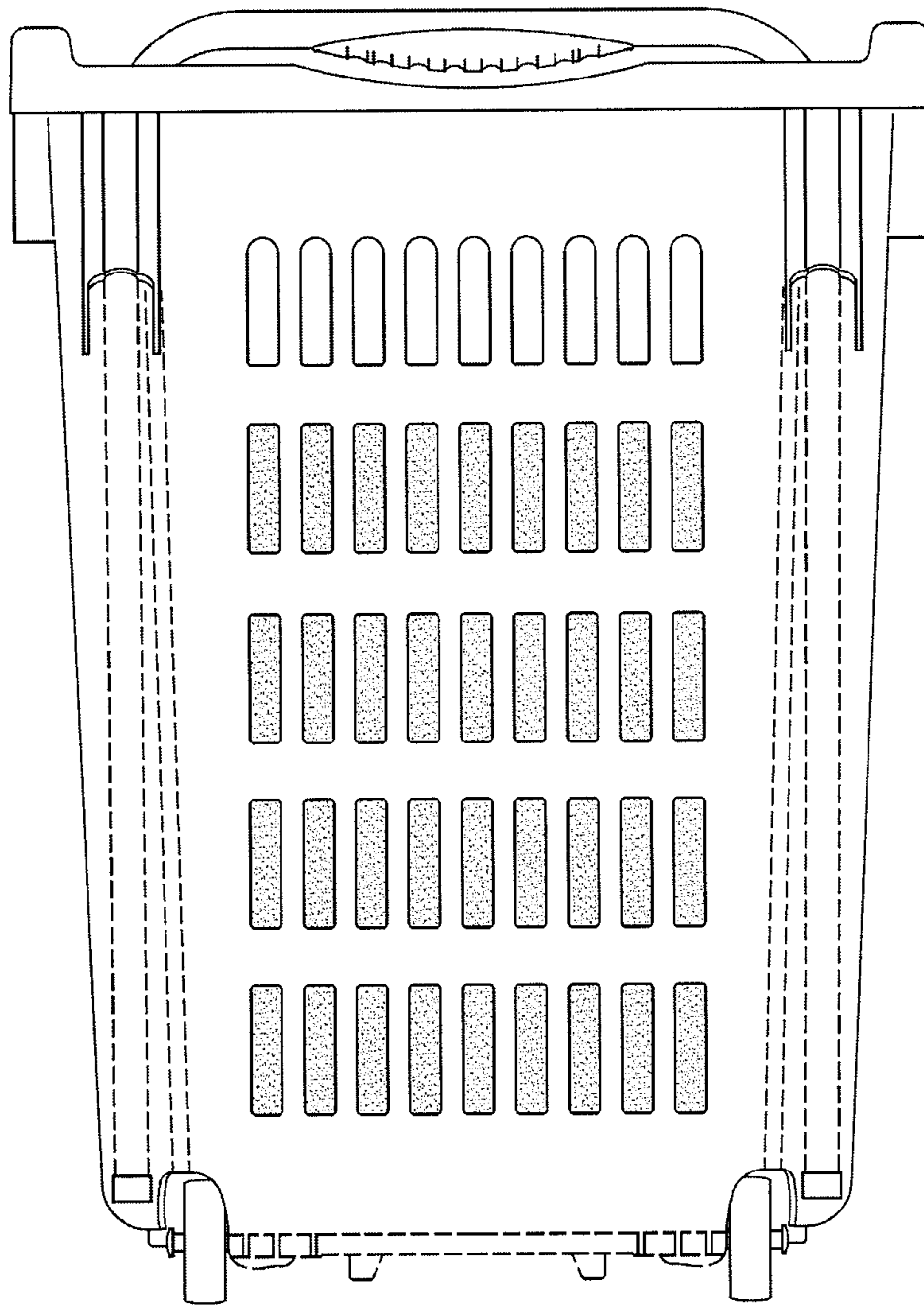


FIG. 5

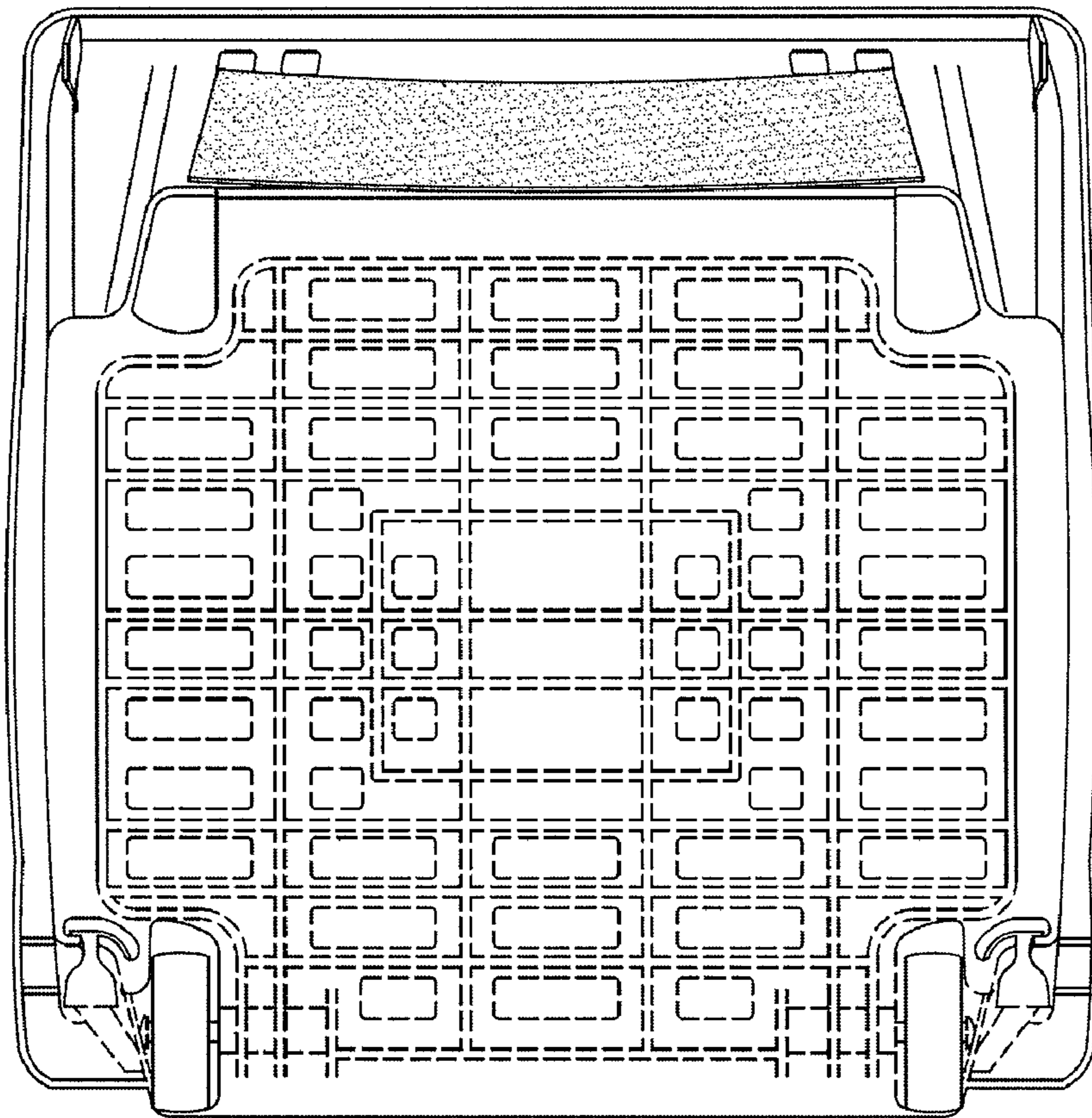


FIG. 6

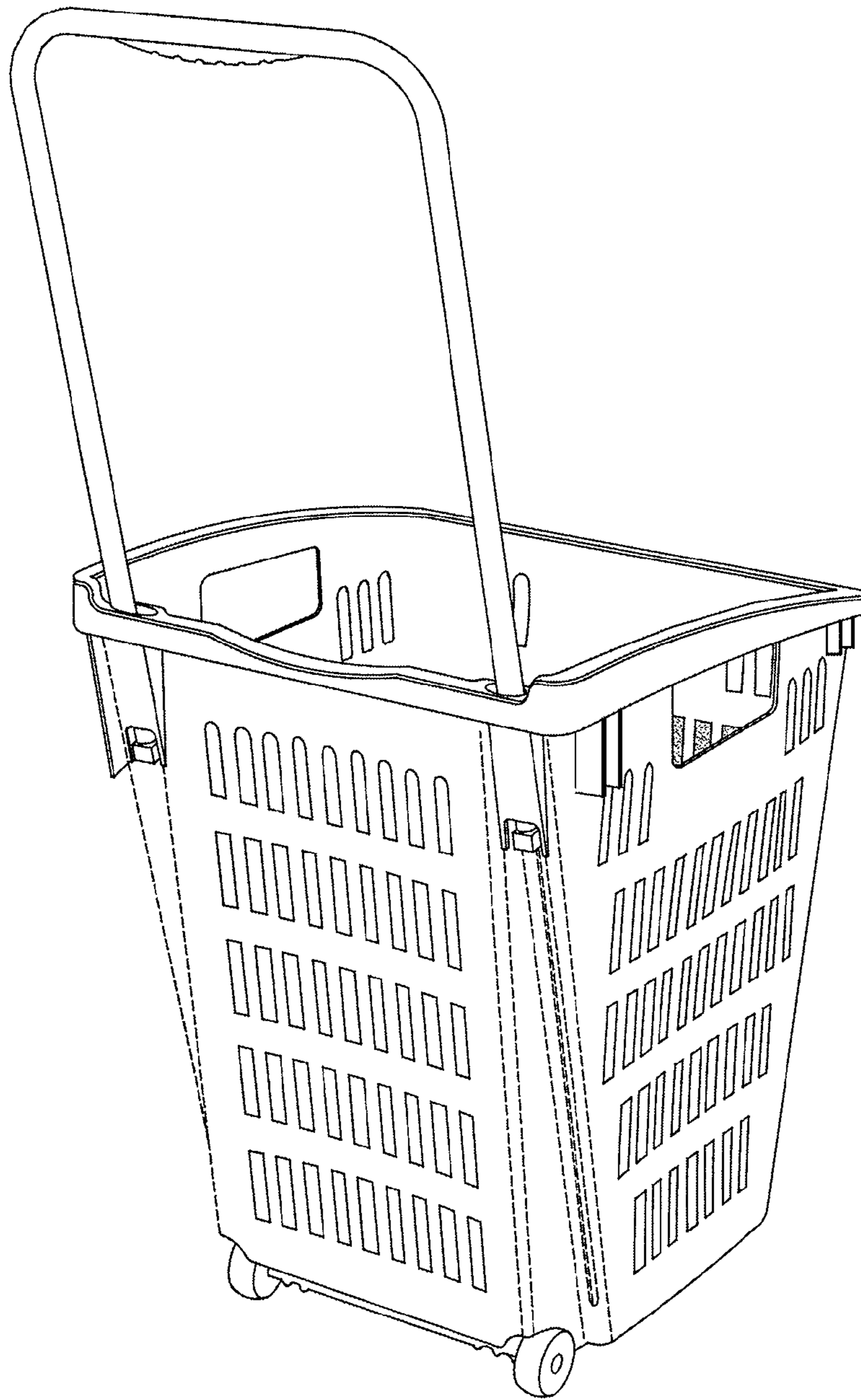


FIG. 7

UNITED STATES PATENT AND TRADEMARK OFFICE
CERTIFICATE OF CORRECTION

PATENT NO. : D633,681 S
APPLICATION NO. : 29/352678
DATED : March 1, 2011
INVENTOR(S) : Isabel Gimeno et al.

Page 1 of 1

It is certified that error appears in the above-identified patent and that said Letters Patent is hereby corrected as shown below:

On the title page:

The following are added to the front page of the patent in the left column:

--(30) Foreign Application Priority Data

Nov. 18, 2004 (ES) P200402780
Oct. 8, 2007 (EP) 803887-0001
Oct. 8, 2007 (EP) 803887-0002
Oct. 8, 2007 (EP) 803887-0003
Oct. 8, 2007 (EP) 803887-0004--

Signed and Sealed this
Twenty-seventh Day of December, 2011



David J. Kappos
Director of the United States Patent and Trademark Office