



US00D633679S

(12) **United States Design Patent**
DeLuca

(10) **Patent No.:** **US D633,679 S**
(45) **Date of Patent:** **** Mar. 1, 2011**

(54) **YARD DOLLY**

(76) Inventor: **Frank K. DeLuca**, Coral Springs, FL
(US)

(**) Term: **14 Years**

(21) Appl. No.: **29/338,631**

(22) Filed: **Jun. 16, 2009**

(51) **LOC (9) Cl.** **12-02**

(52) **U.S. Cl.** **D34/23**

(58) **Field of Classification Search** D34/12-27;
280/642, 644, 42, 33.991, 33.992, 33.993,
280/33.94, 33.95, 47.24, 47.27, 47.19, 33.996,
280/33.997, 33.998, 47.35

See application file for complete search history.

(56) **References Cited**

U.S. PATENT DOCUMENTS

1,751,902	A	3/1930	Brown	
2,596,749	A	5/1952	Webber	
D179,126	S *	11/1956	Eging	D34/15
3,894,748	A	7/1975	Ratcliff	
4,350,366	A	9/1982	Helms	
D298,074	S *	10/1988	Cannon et al.	D34/12
4,923,202	A	5/1990	Breveglieri et al.	
5,704,496	A	1/1998	Latta	
D424,266	S *	5/2000	McIntyre	D34/24

6,179,306	B1	1/2001	Maxwell	
D441,935	S *	5/2001	Cook	D34/24
D465,632	S *	11/2002	Koppes et al.	D34/17
D481,511	S *	10/2003	Lee	D34/24
7,168,714	B2	1/2007	Gibbs	
D558,948	S *	1/2008	Miller et al.	D34/24
D573,772	S *	7/2008	Faehnle	D34/17
D600,422	S *	9/2009	Wu et al.	D34/12
2002/0101065	A1 *	8/2002	McCollum et al.	280/655

* cited by examiner

Primary Examiner—Cynthia E Ramirez

(74) *Attorney, Agent, or Firm*—Mark D. Bowen, Esq.; Malin
Haley DiMaggio Bowen & Lhota, P.A.

(57) **CLAIM**

The ornamental design for a yard dolly, as shown and described.

DESCRIPTION

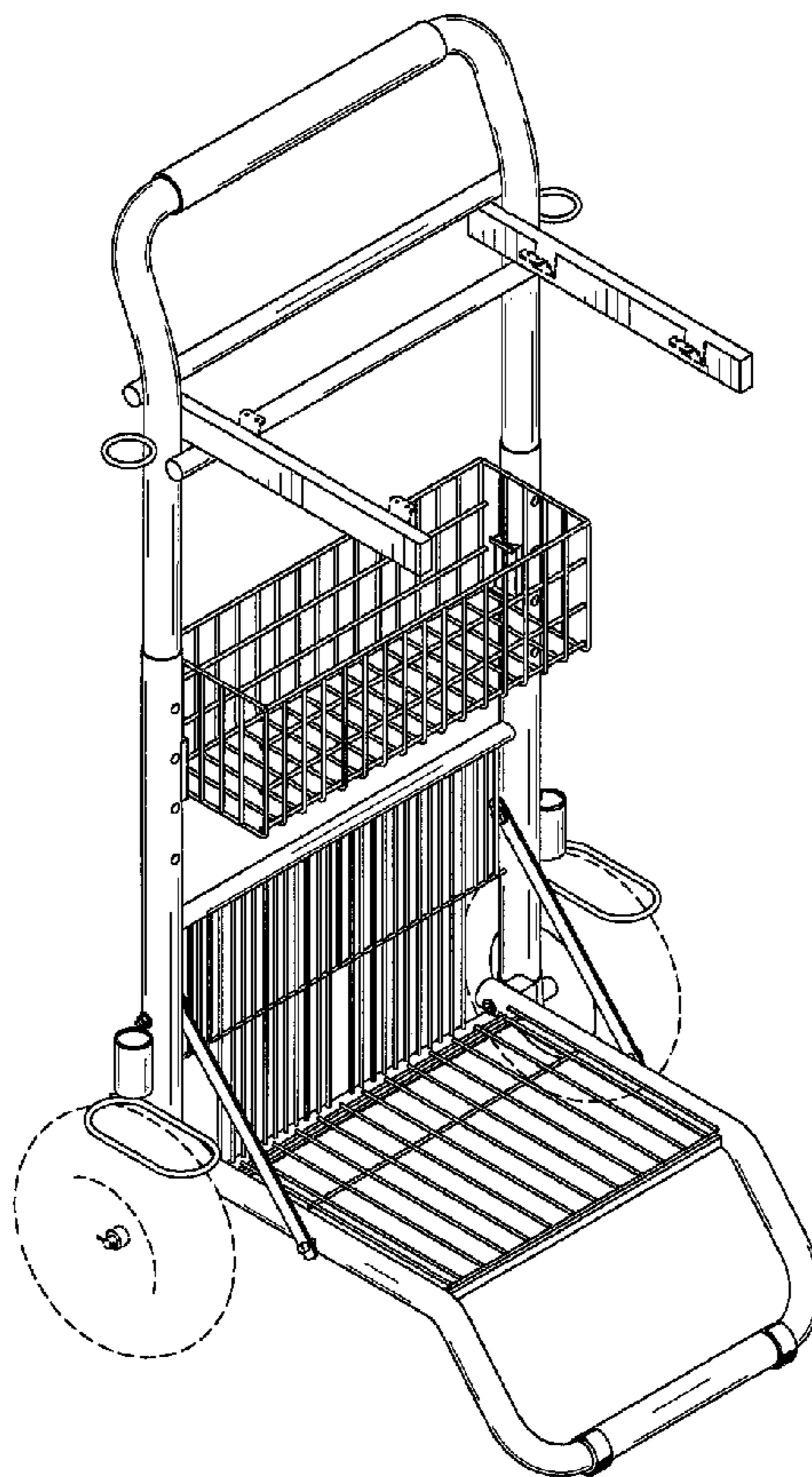
FIG. 1 is a front perspective view of a yard dolly in accordance with the present invention;

FIG. 2 is a side view thereof, with the other side being a mirror image thereof;

FIG. 3 is a front view thereof; and,

FIG. 4 is a top view thereof.

1 Claim, 4 Drawing Sheets



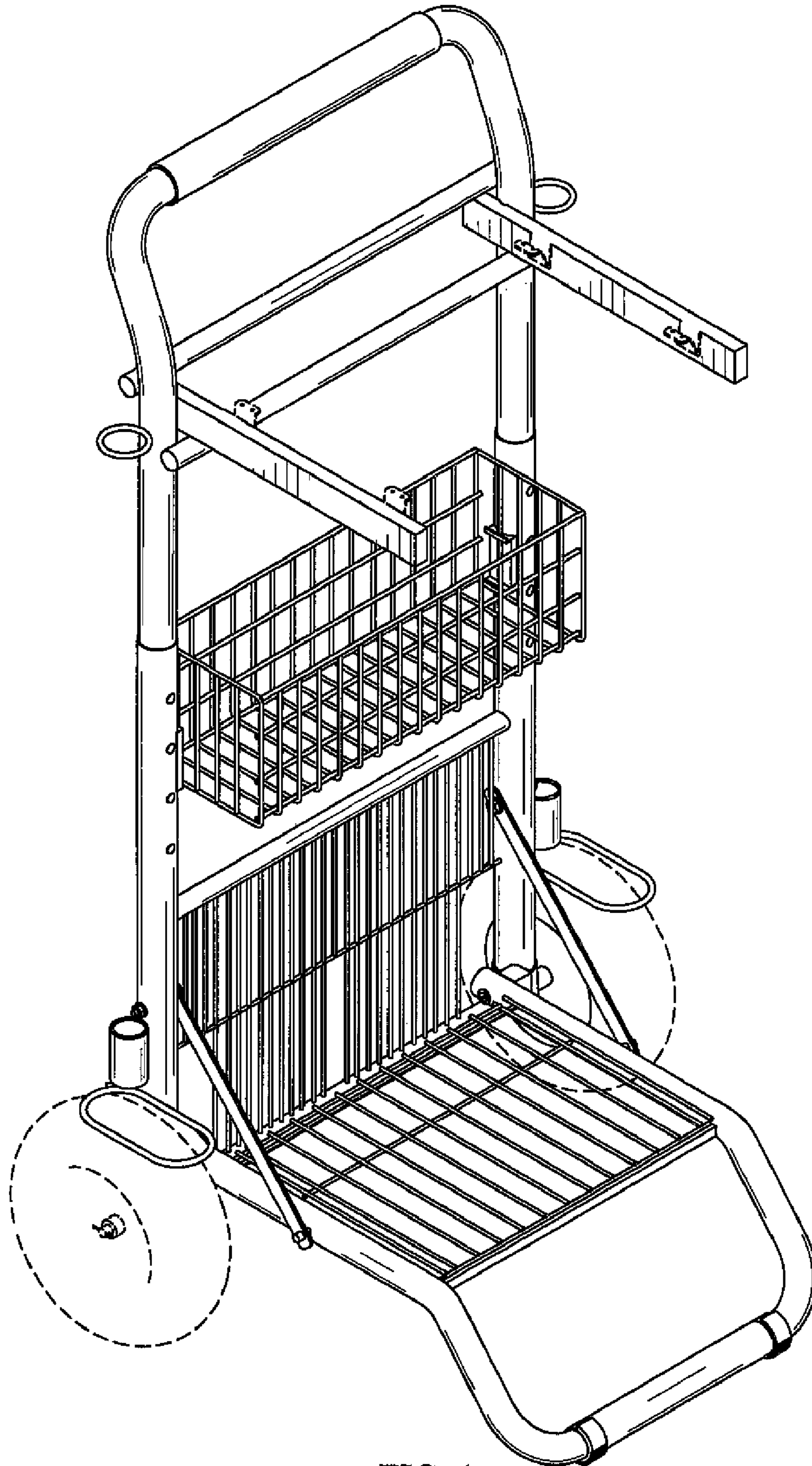


FIG. 1

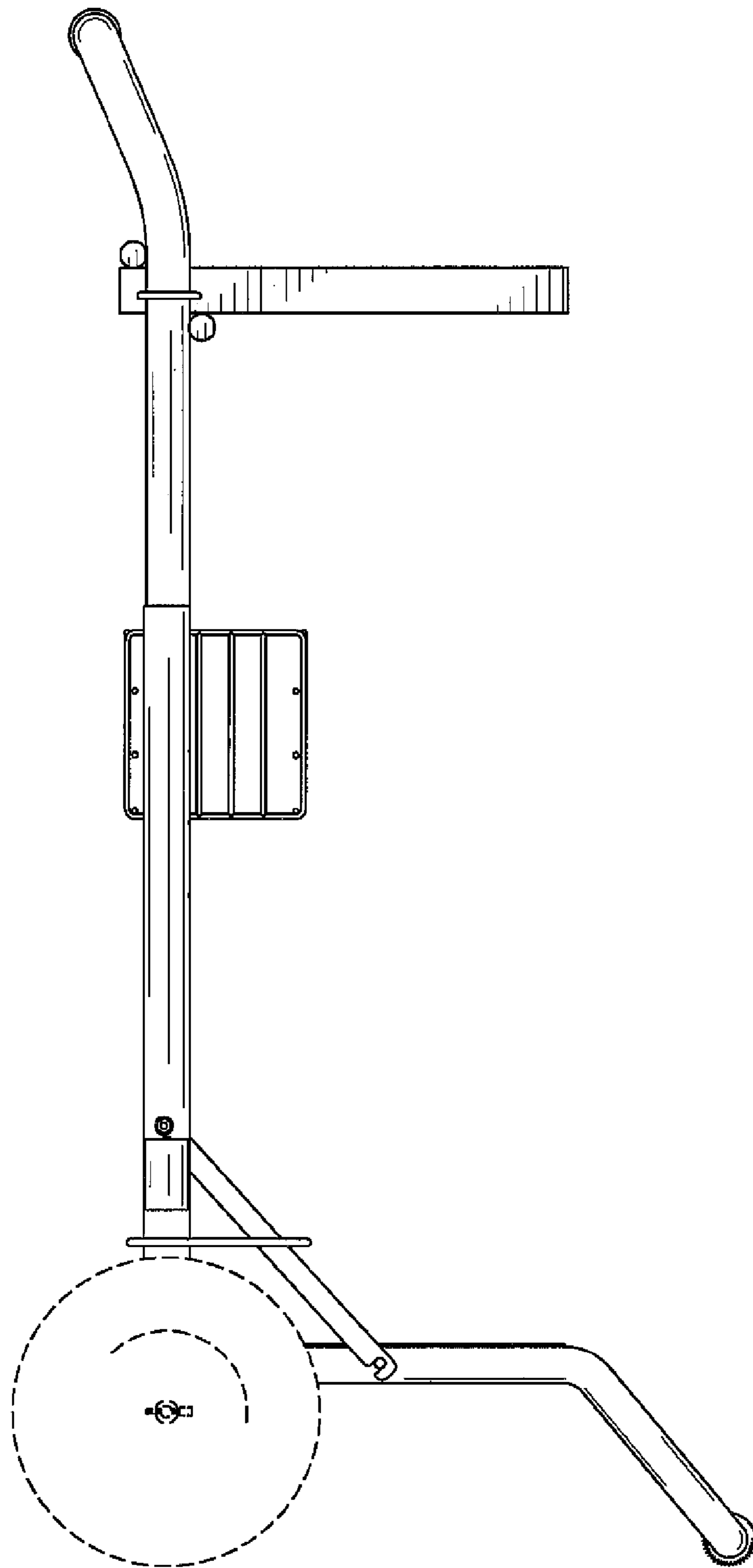


FIG. 2

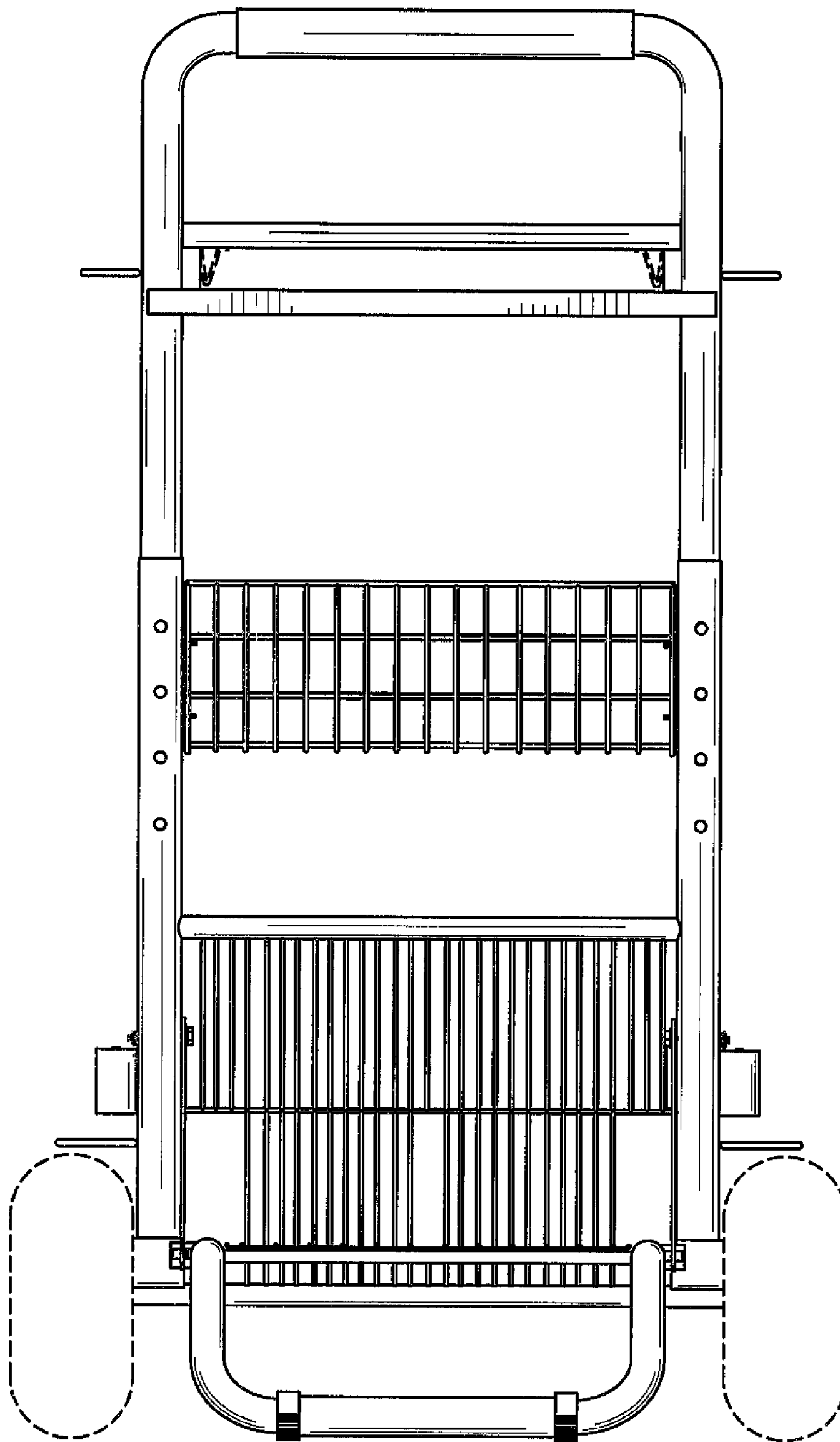


FIG. 3

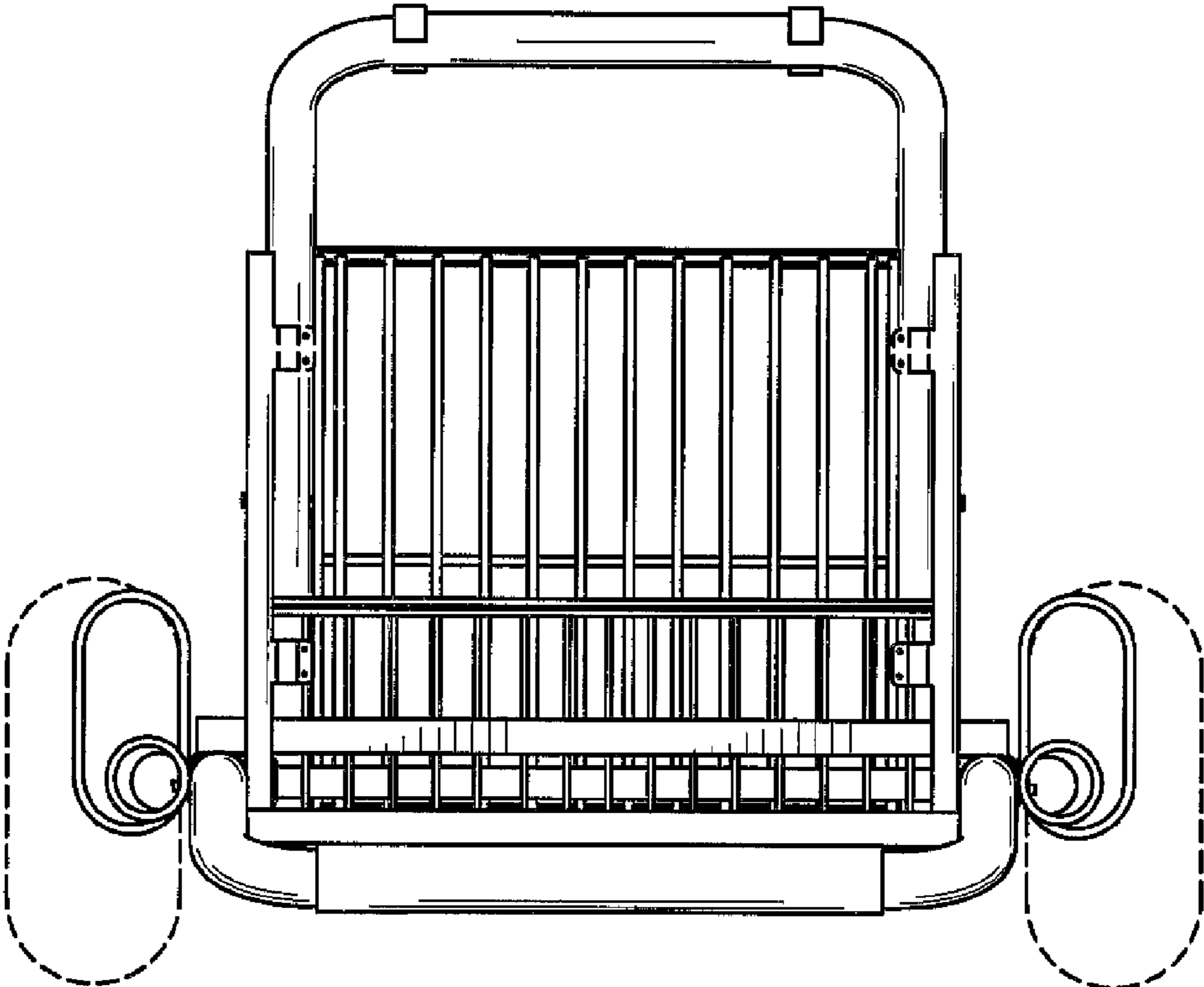


FIG. 4