



US00D633678S

(12) **United States Design Patent**
Kuhne

(10) **Patent No.:** **US D633,678 S**

(45) **Date of Patent:** **** Mar. 1, 2011**

(54) **BAG HOLDER**

(75) Inventor: **Antonius Arnoldus Maria Kuhne,**
Tilburg (NL)

(73) Assignee: **Kupri Beheer B.V. (NL)**

(**) Term: **14 Years**

(21) Appl. No.: **29/363,432**

(22) Filed: **Jun. 9, 2010**

(51) **LOC (9) Cl.** **09-09**

(52) **U.S. Cl.** **D34/6**

(58) **Field of Classification Search** D34/1,
D34/5, 6, 7; 220/908, 911; 248/95, 97, 99,
248/100, 101

See application file for complete search history.

(56) **References Cited**

U.S. PATENT DOCUMENTS

D216,438	S	*	1/1970	Gay	D34/6
3,638,888	A	*	2/1972	Ross	248/97
3,796,402	A	*	3/1974	Trotta	248/97
4,175,602	A	*	11/1979	Cavalaris et al.	141/390
4,445,658	A	*	5/1984	Ferron	248/99
4,458,867	A	*	7/1984	Malik	248/97
4,690,357	A	*	9/1987	Webster	248/99
4,692,050	A	*	9/1987	Kaufman	403/3
4,708,216	A	*	11/1987	Spiess	177/160

D332,161	S	*	12/1992	Wenzel et al.	D34/5
D332,333	S	*	1/1993	Wenzel et al.	D34/5
5,507,577	A	*	4/1996	Fowler	383/7

* cited by examiner

Primary Examiner—Cynthia E Ramirez

(74) *Attorney, Agent, or Firm*—Miller & Martin

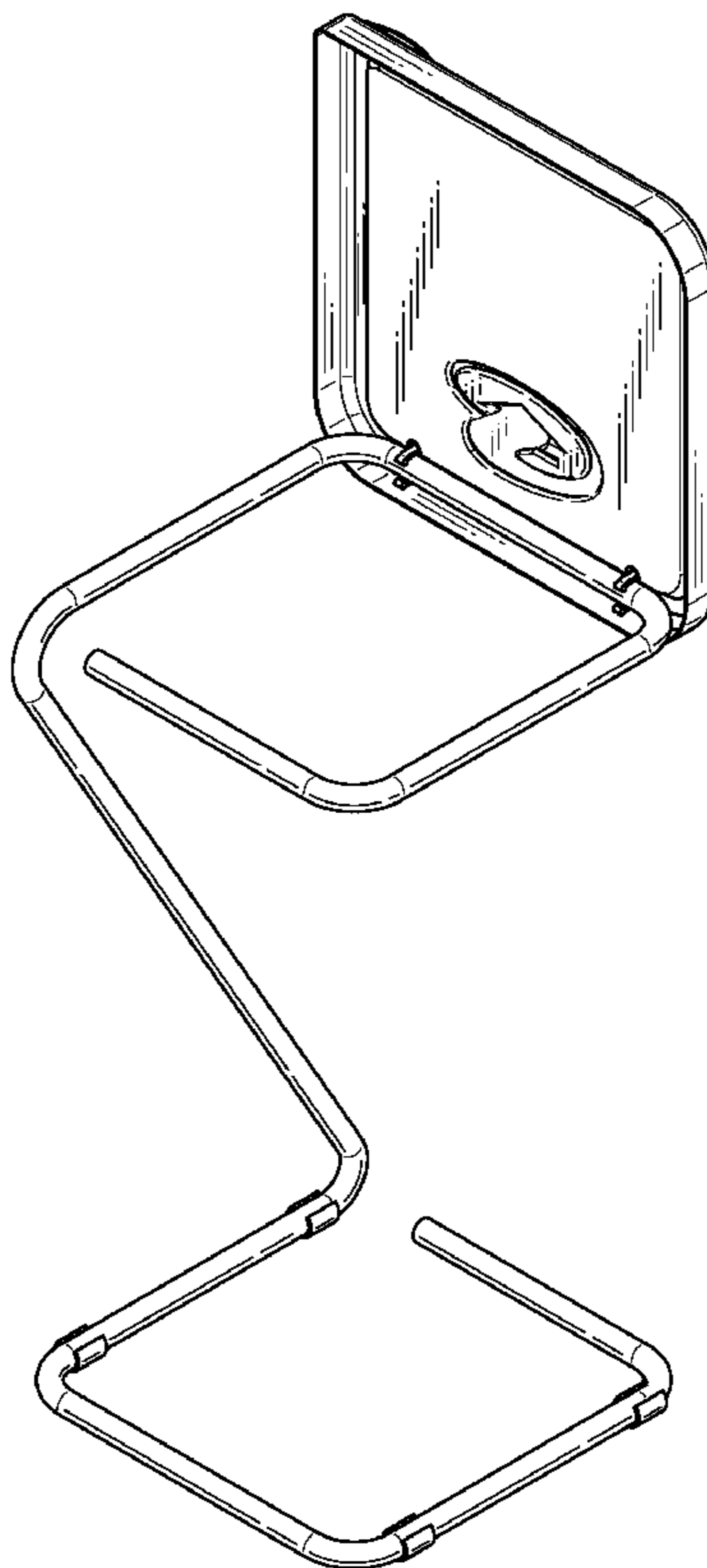
(57) **CLAIM**

The ornamental design for a bag holder, as shown and described.

DESCRIPTION

FIG. 1 is a perspective view of the bag holder;
 FIG. 2 is a front elevation view of the bag holder shown in FIG. 1;
 FIG. 3 is a back elevation view of the bag holder shown in FIG. 1;
 FIG. 4 is a left elevation view of the bag holder shown in FIG. 1;
 FIG. 5 is a right elevation view of the bag holder shown in FIG. 1;
 FIG. 6 is a top elevation view of the bag holder shown in FIG. 1; and,
 FIG. 7 is a bottom elevation view of the bag holder shown in FIG. 1.

1 Claim, 4 Drawing Sheets



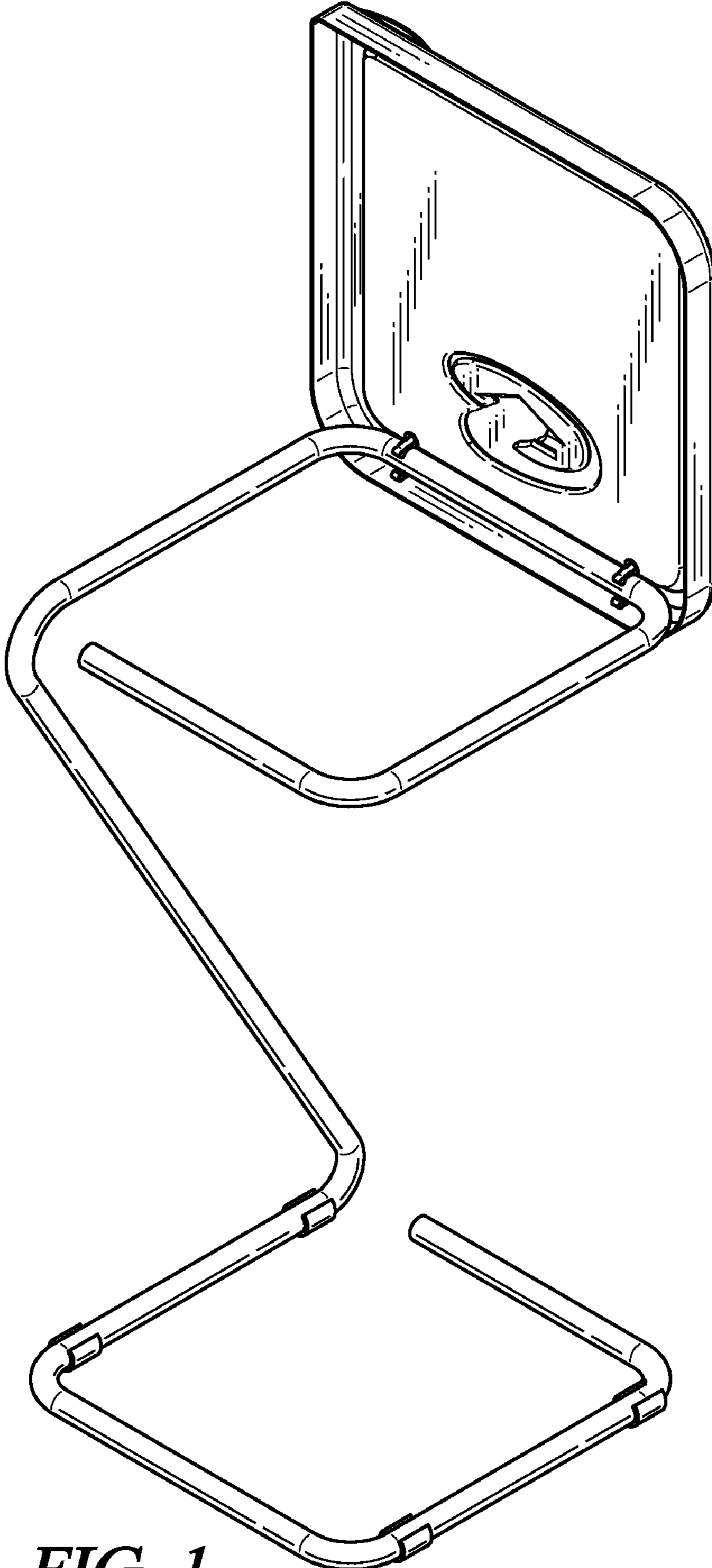


FIG. 1

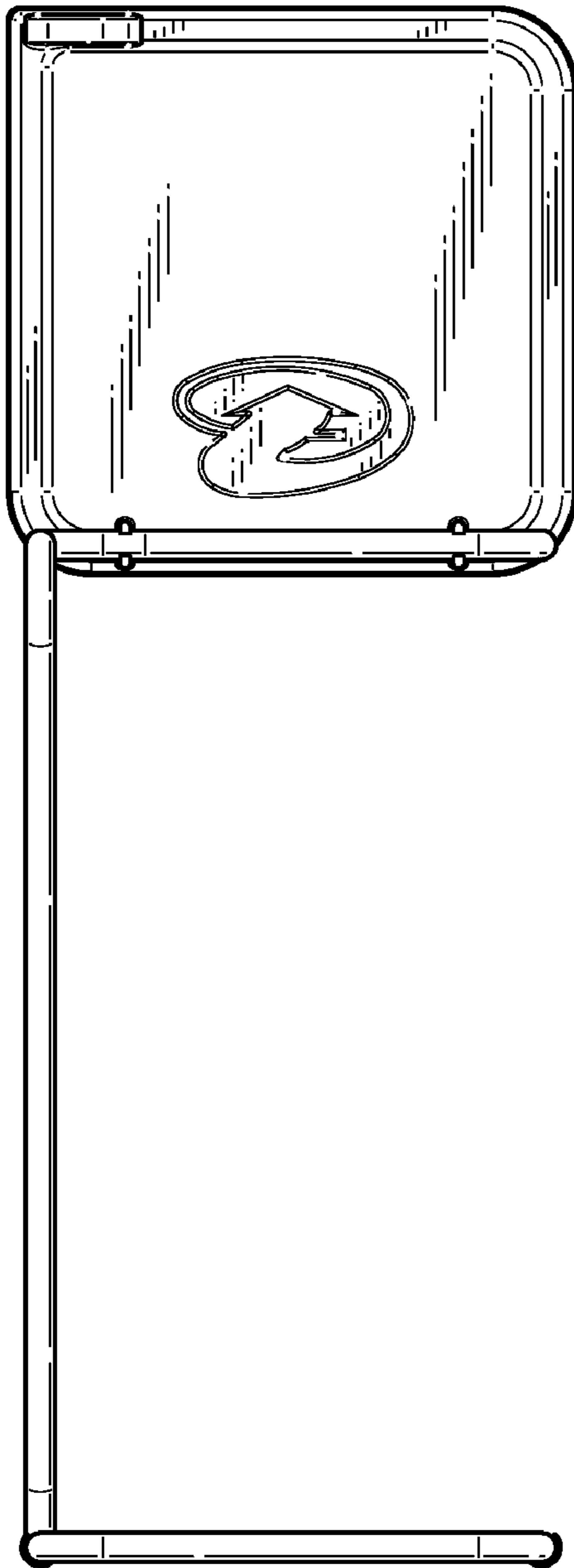


FIG. 2

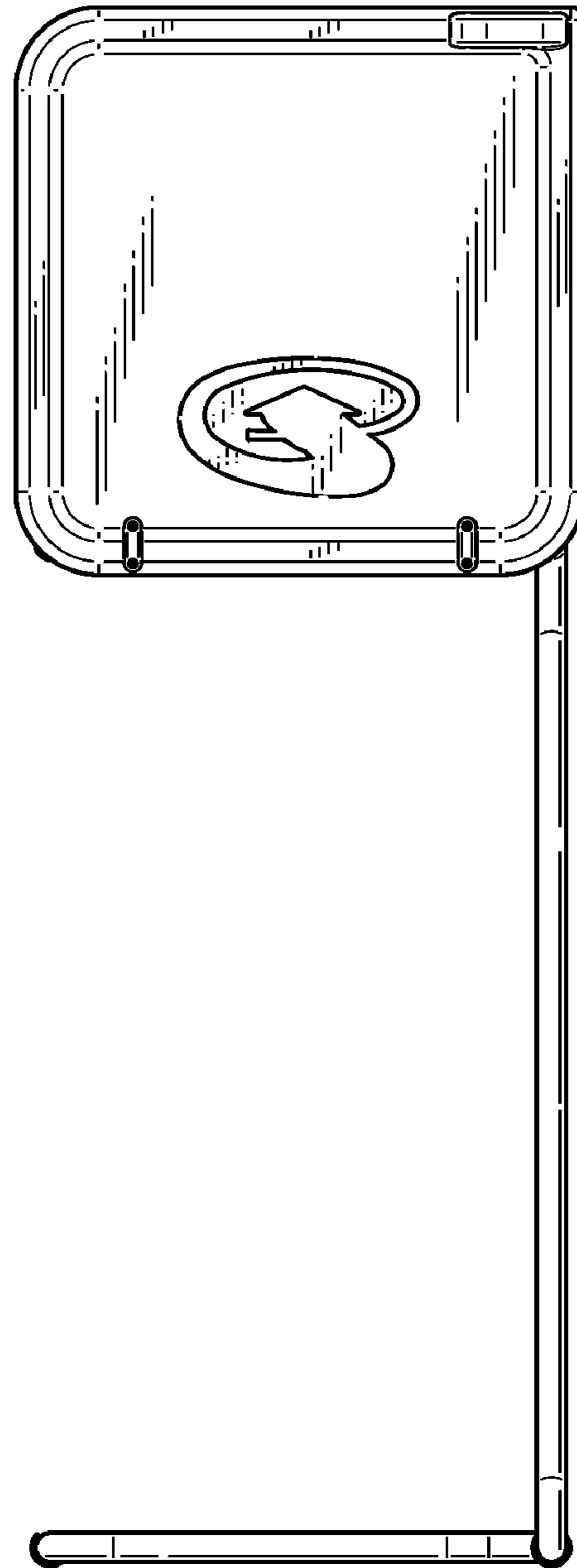


FIG. 3

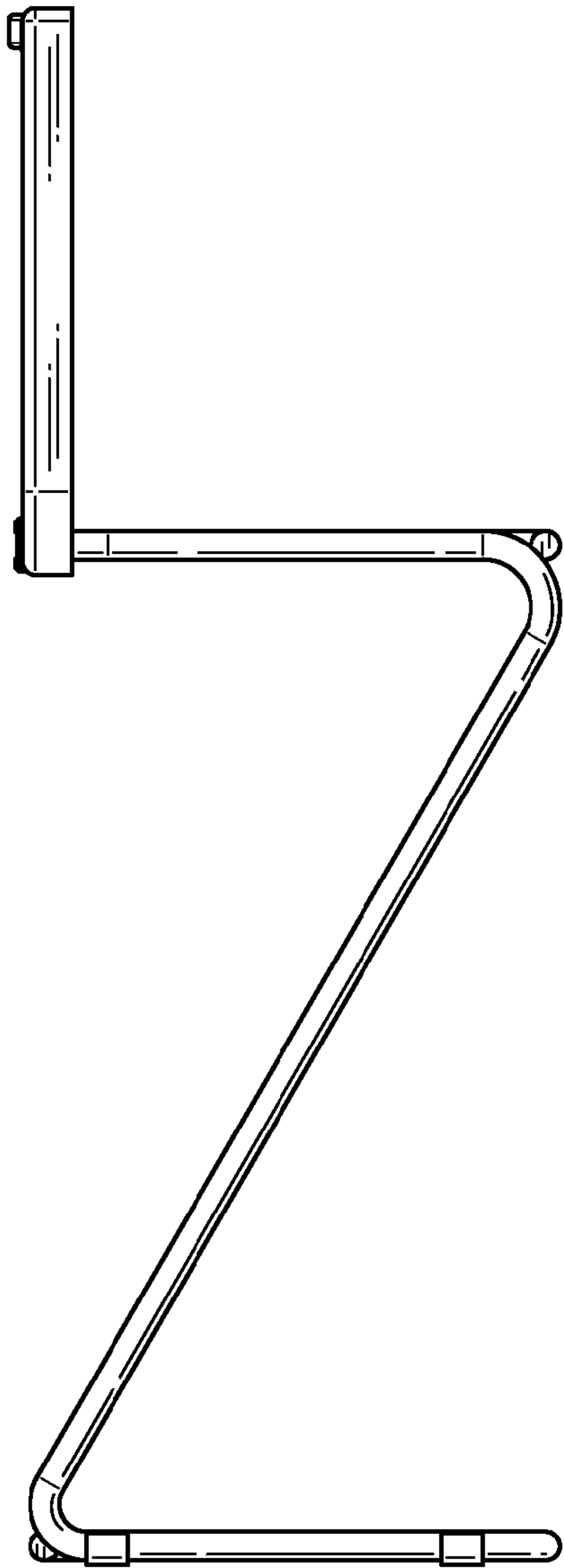


FIG. 4

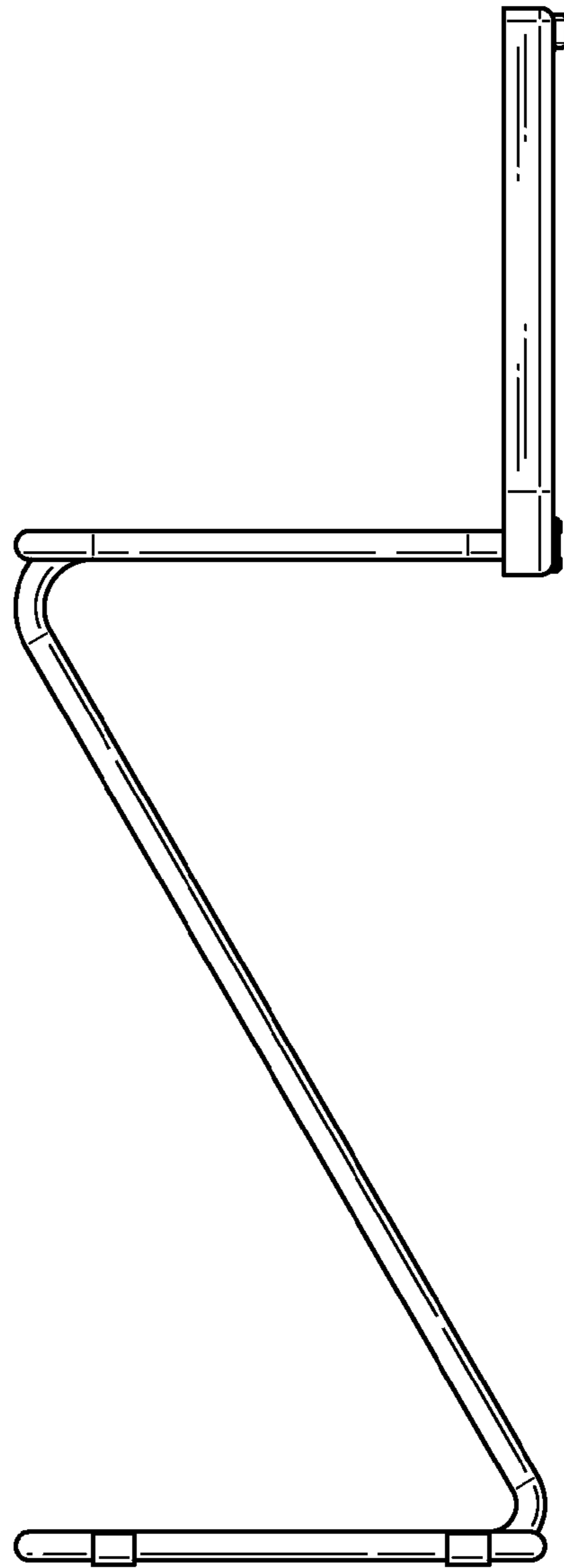


FIG. 5

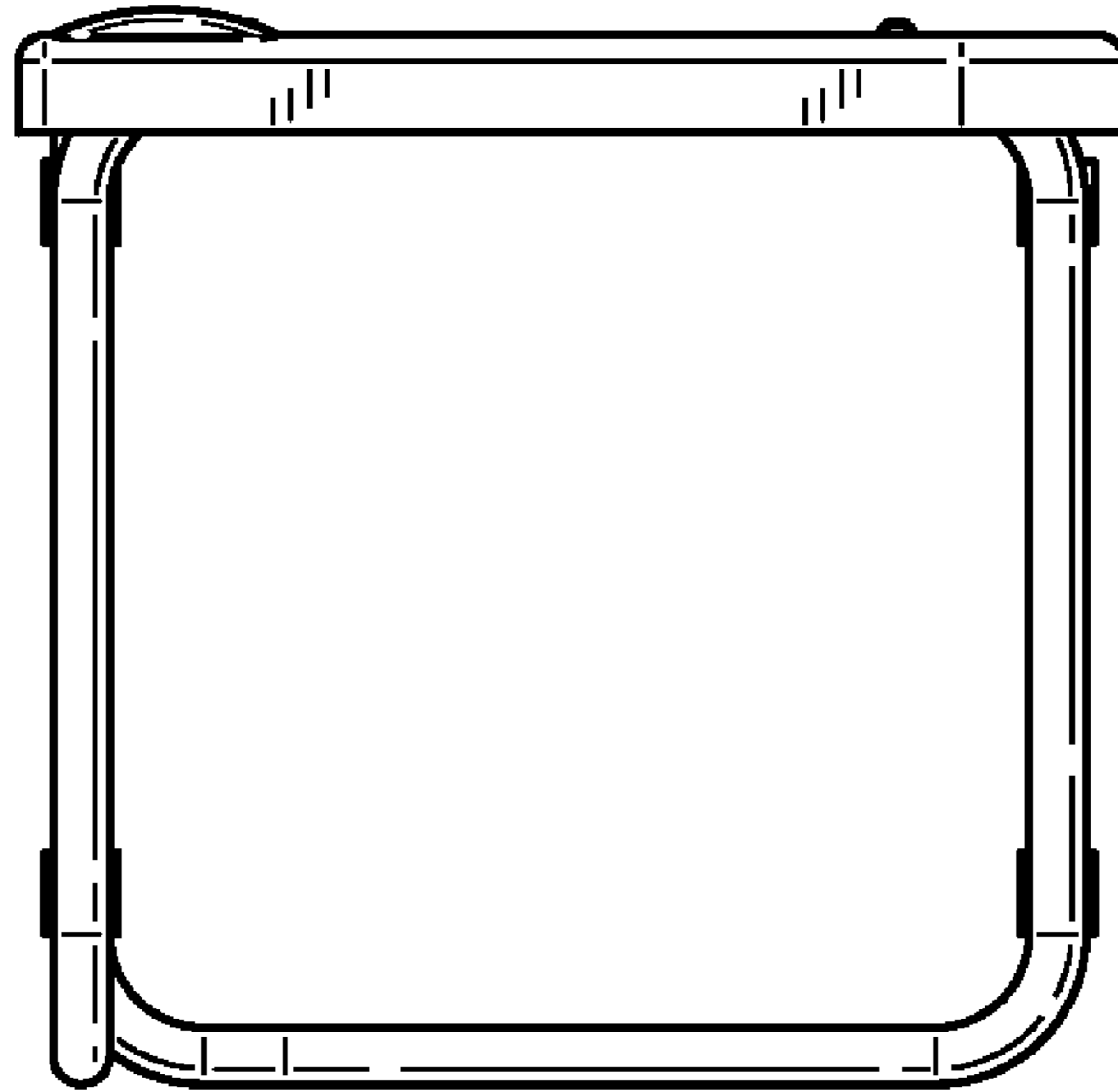


FIG. 6

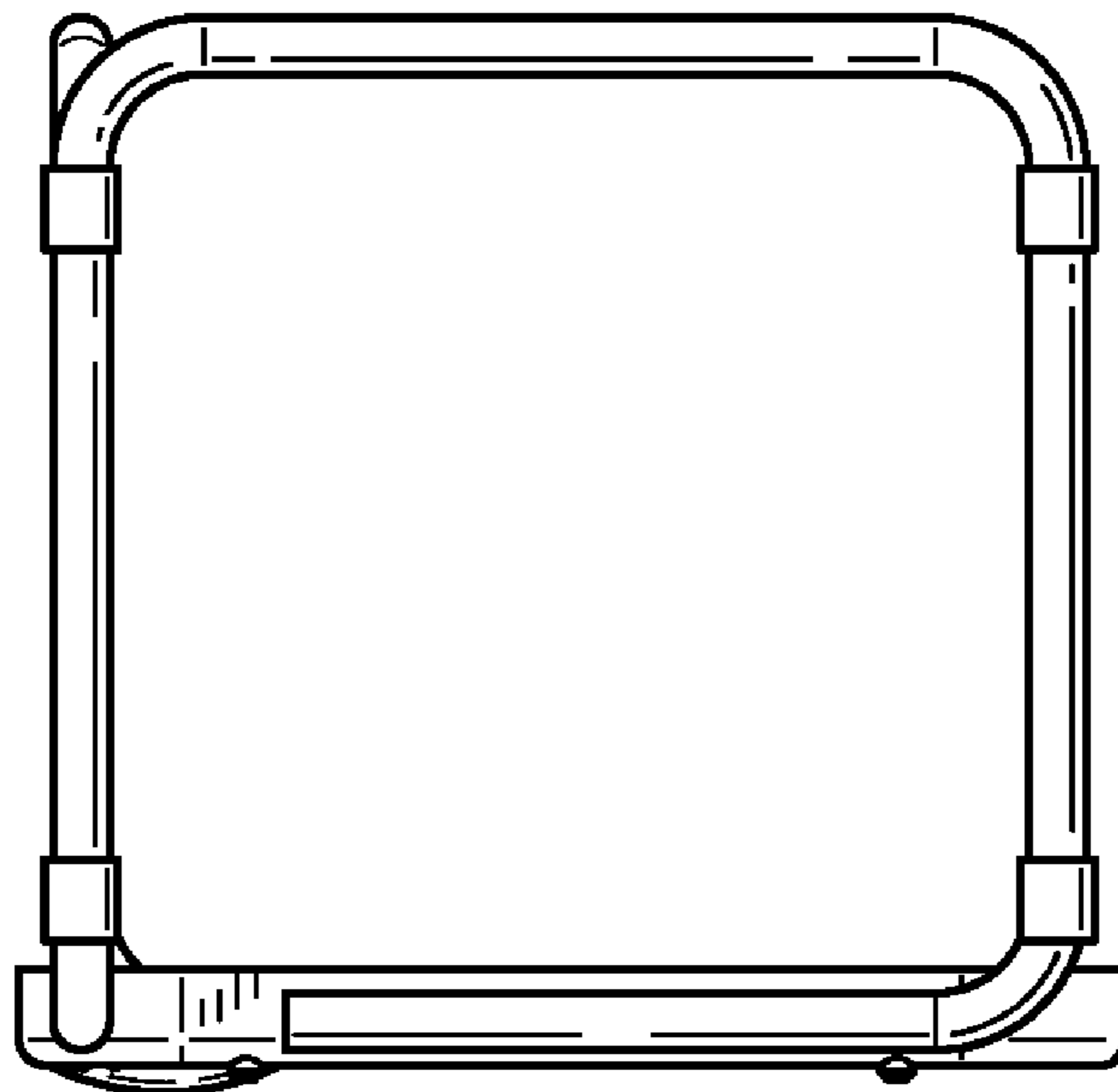


FIG. 7

UNITED STATES PATENT AND TRADEMARK OFFICE
CERTIFICATE OF CORRECTION

PATENT NO. : D633,678 S
APPLICATION NO. : 29/363432
DATED : March 1, 2011
INVENTOR(S) : Kuhne

Page 1 of 1

It is certified that error appears in the above-identified patent and that said Letters Patent is hereby corrected as shown below:

Title Page Add:

Item (30) Foreign Application Priority Data:

European (EU) Office for Harmonization Application No. 001646068-0001, filed 12/11/2009.

Signed and Sealed this
Seventeenth Day of January, 2012

A handwritten signature in black ink that reads "David J. Kappos". The signature is written in a cursive, slightly slanted style.

David J. Kappos
Director of the United States Patent and Trademark Office