



US00D633675S

(12) **United States Design Patent**
Libman et al.

(10) **Patent No.:** **US D633,675 S**
(45) **Date of Patent:** **** Mar. 1, 2011**

(54) **BUCKET**
(75) Inventors: **Robert J. Libman**, Arcola, IL (US);
Enzo Berti, Pianiga (IT)
(73) Assignee: **The Libman Company**, Arcola, IL (US)
(**) Term: **14 Years**
(21) Appl. No.: **29/360,307**
(22) Filed: **Apr. 23, 2010**
(51) **LOC (9) Cl.** **07-07**
(52) **U.S. Cl.** **D32/53**
(58) **Field of Classification Search** D32/53,
D32/53.1, 54; 15/260, 263, 264, 257.05,
15/257.06; 220/904, 570
See application file for complete search history.

D536,851 S 2/2007 Lauer
D544,669 S 6/2007 Casteel et al.
D546,514 S 7/2007 Byrne
D550,418 S 9/2007 Weaver et al.
D557,472 S 12/2007 Renner
D557,991 S 12/2007 Hong
D570,961 S 6/2008 Grether
D578,263 S 10/2008 Pho
D581,119 S 11/2008 Bergman
D582,117 S 12/2008 Chafe et al.
7,571,831 B2 8/2009 Lauer et al.
D616,168 S * 5/2010 Libman et al. D32/53
D618,413 S * 6/2010 Berti D32/53
D619,318 S * 7/2010 Miller et al. D32/53
D620,660 S * 7/2010 Tsai D32/53
D620,661 S * 7/2010 Tsai D32/53
2002/0120997 A1 9/2002 Alt

(Continued)

Primary Examiner—Robin V Webster
(74) *Attorney, Agent, or Firm*—Banner & Witcoff, Ltd.

(56) **References Cited**

U.S. PATENT DOCUMENTS

1,486,284 A 3/1924 Eiffe
D136,896 S * 12/1943 Woodward D32/53
D270,961 S * 10/1983 Hawkins et al. D32/53
4,716,619 A 1/1988 Young
D320,295 S 9/1991 Delmerico
D344,379 S 2/1994 Clark, Jr.
D355,287 S 2/1995 Camp, Jr.
D374,321 S 10/1996 Mandell et al.
D395,531 S 6/1998 Mandell et al.
D429,396 S 8/2000 Houry et al.
D429,862 S 8/2000 Houry et al.
6,128,803 A 10/2000 Dickinson et al.
6,389,638 B1 5/2002 Dickinson et al.
D462,491 S 9/2002 Hauenstein
D477,702 S 7/2003 Kohn
D495,448 S * 8/2004 Moforis D28/61
D499,223 S 11/2004 Libman et al.
D515,263 S 2/2006 Libman et al.
D516,763 S 3/2006 Escarpa Gil
D525,404 S 7/2006 Petner et al.
D527,506 S 8/2006 Camp, Jr. et al.
D530,870 S 10/2006 Lauer
D531,368 S 10/2006 Lauer
D531,772 S 11/2006 Lauer

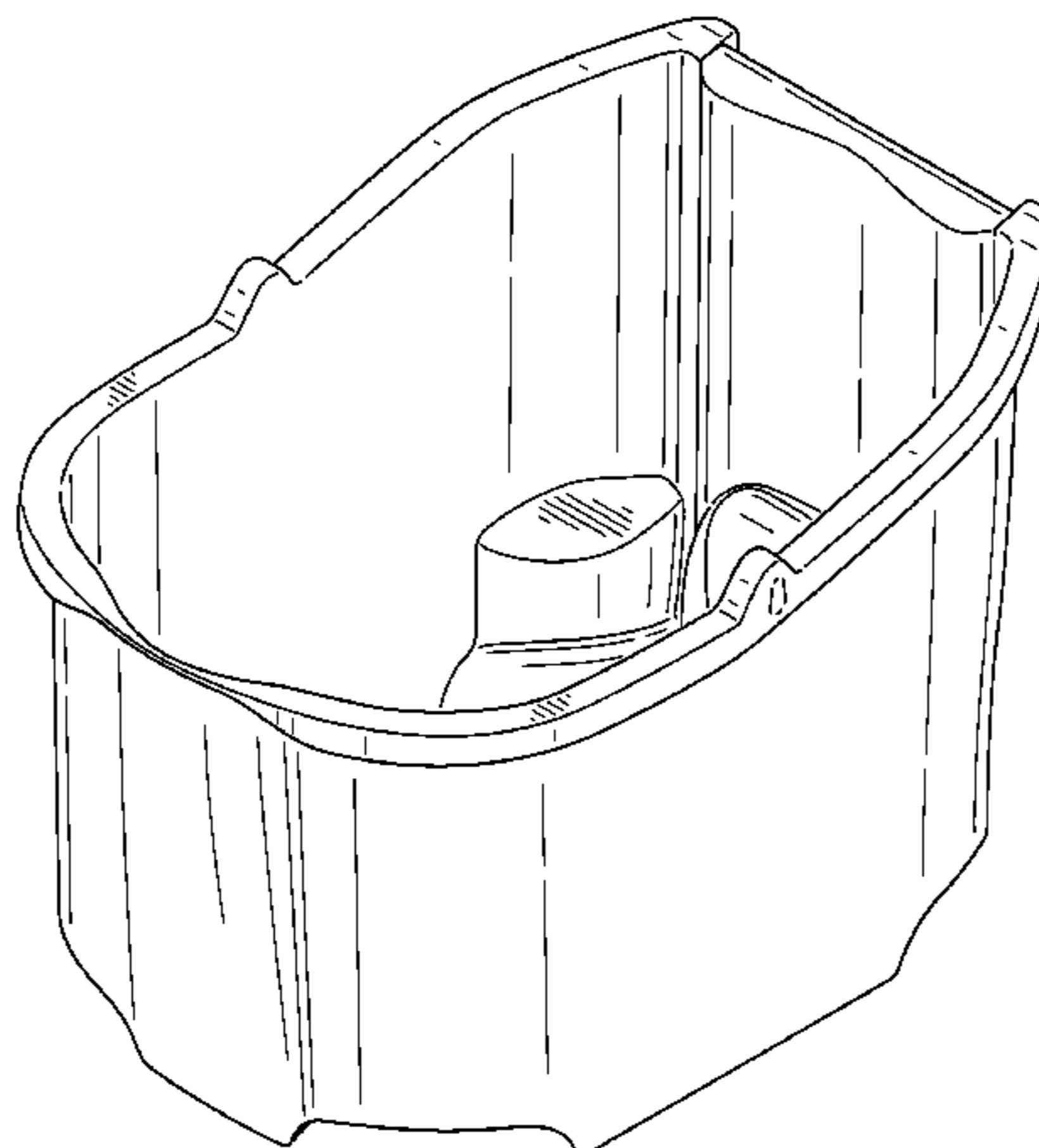
(57) **CLAIM**

The ornamental design for a bucket, as shown and described.

DESCRIPTION

FIG. 1 is a top, front, right perspective view of a bucket showing our new design;
FIG. 2 is a front view thereof;
FIG. 3 is a rear view thereof;
FIG. 4 is a left side view thereof;
FIG. 5 is a right side view thereof;
FIG. 6 is a top view thereof;
FIG. 7 is a bottom view thereof; and,
FIG. 8 is the bottom, rear, right perspective view thereof.
The uneven-length broken lines represent unclaimed boundaries of the claimed design. The even-length broken lines showing the remainder of the bucket are for illustrative purposes only and form no part of the claimed design.

1 Claim, 8 Drawing Sheets



US D633,675 S

Page 2

U.S. PATENT DOCUMENTS

2003/0217428 A1 11/2003 Perelli
2007/0266518 A1 11/2007 Hoyle et al.

2008/0282493 A1 11/2008 Petner

* cited by examiner

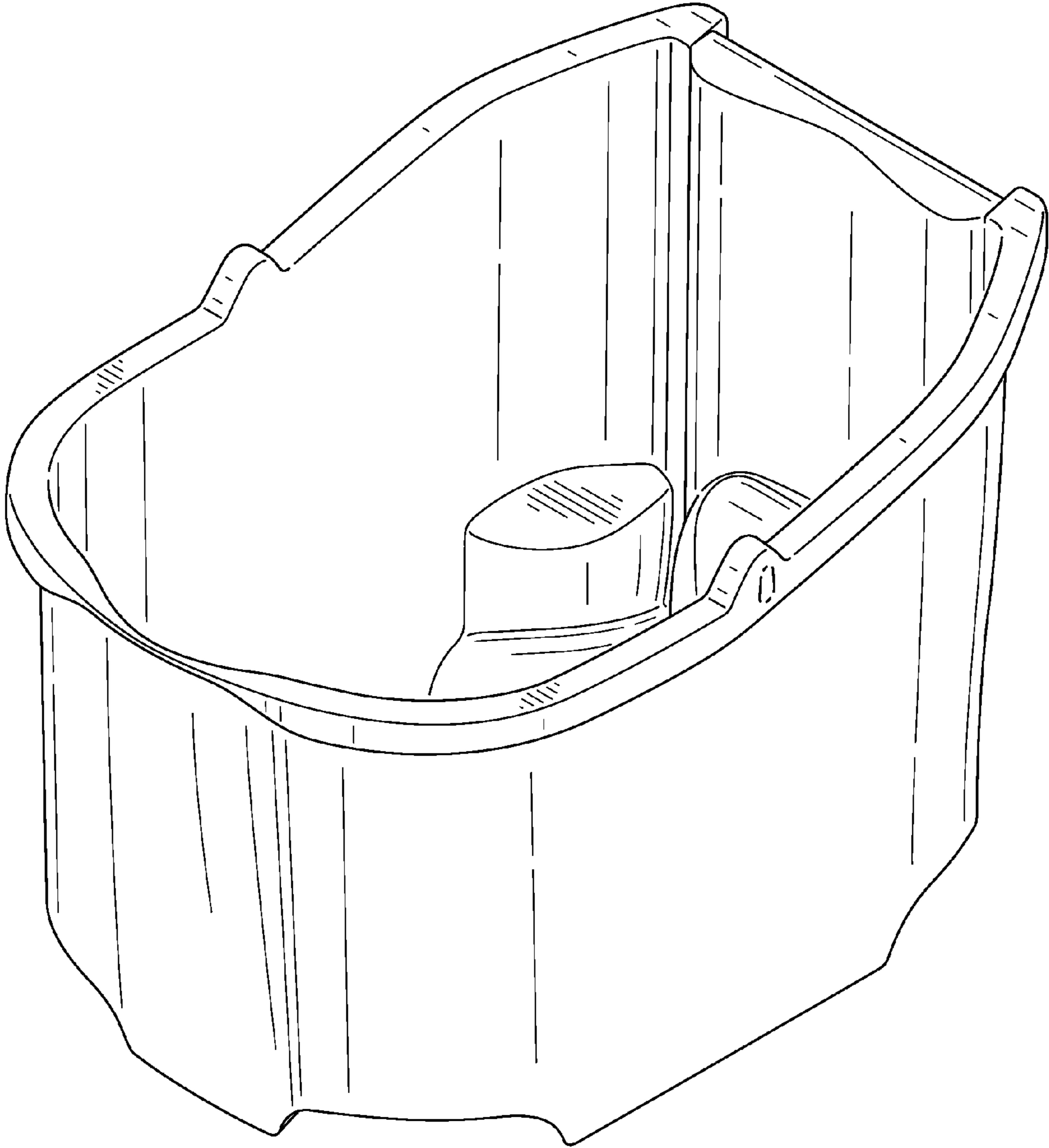


FIG. 1

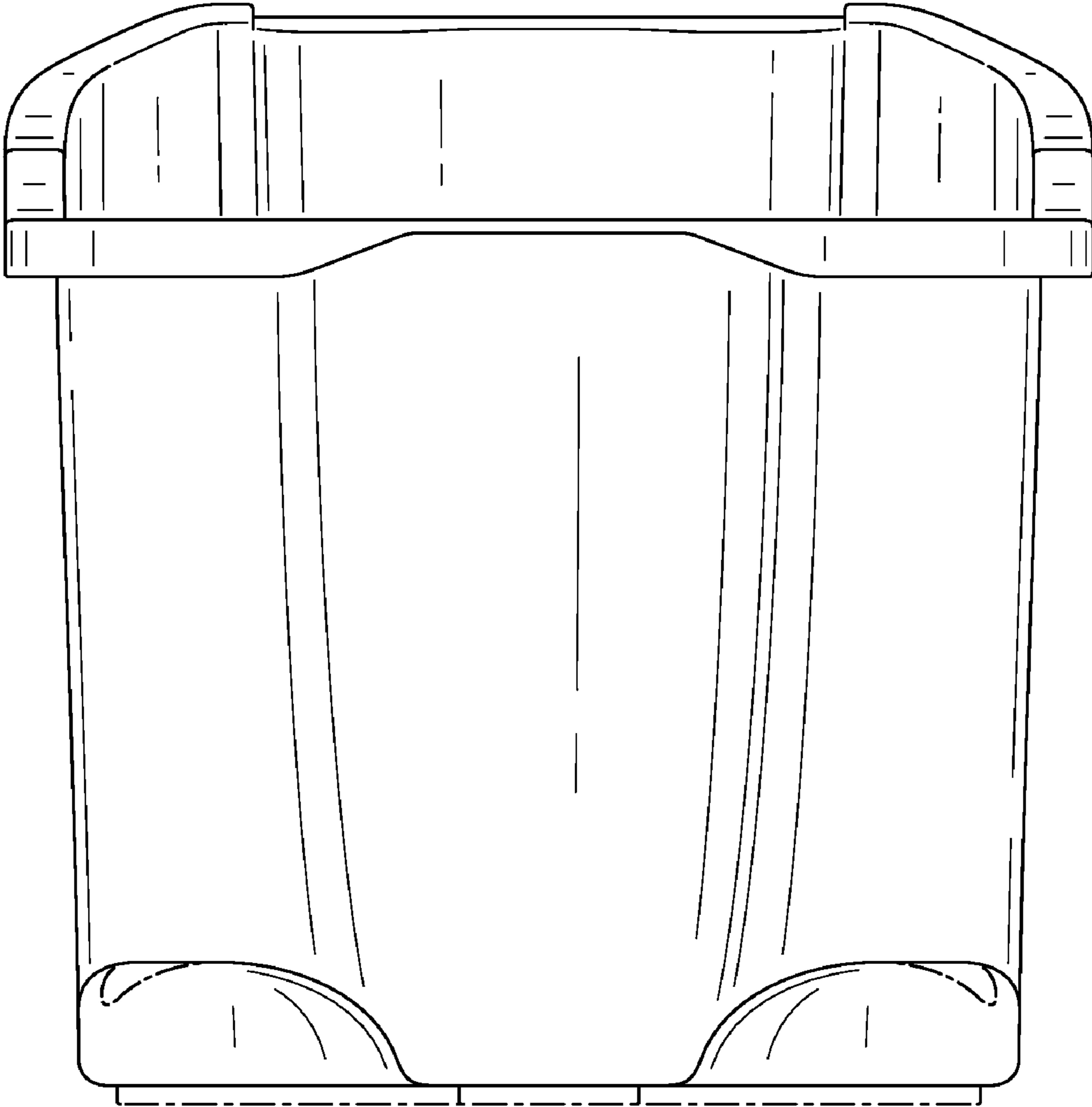


FIG. 2

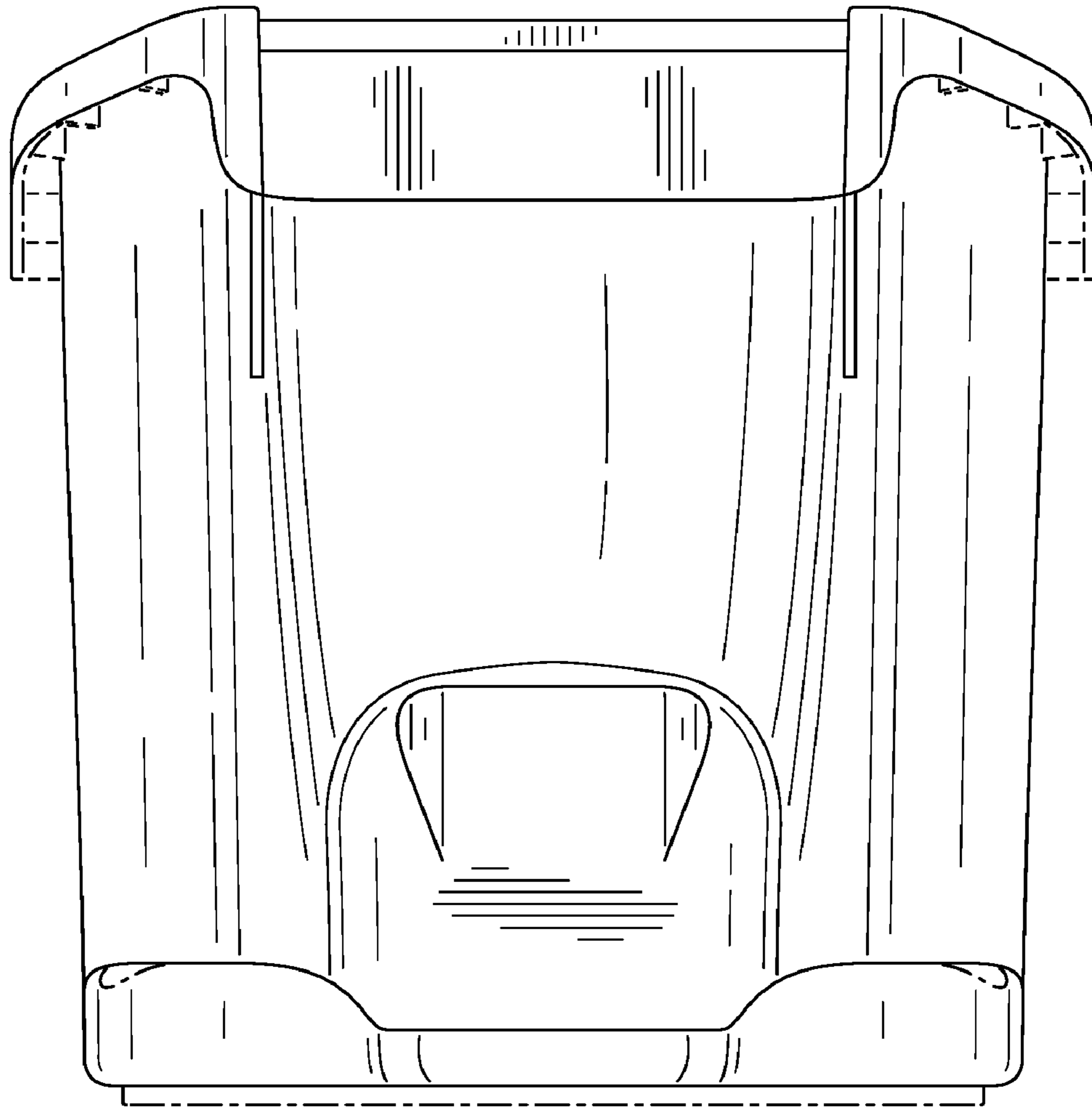


FIG. 3

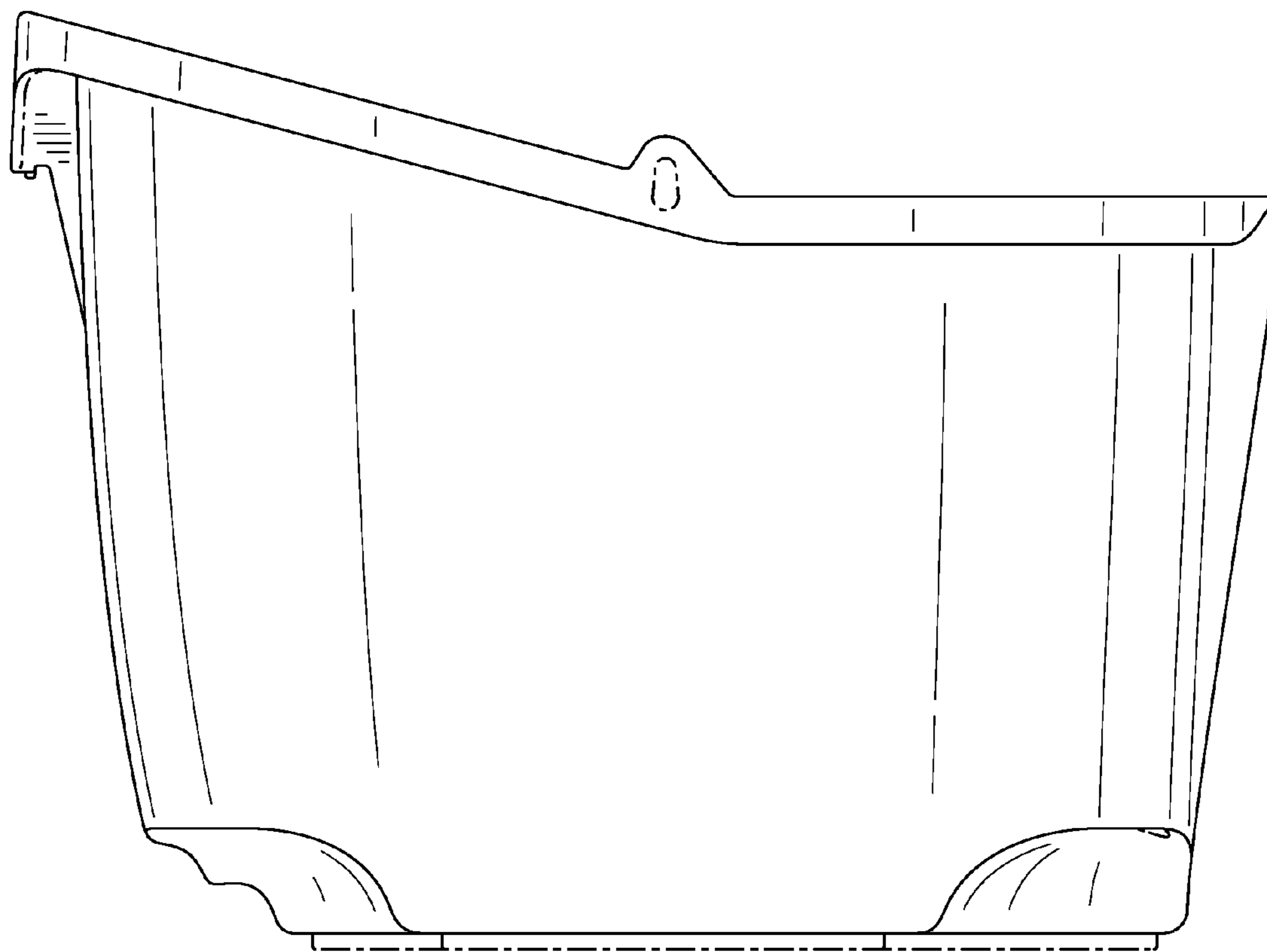


FIG. 4

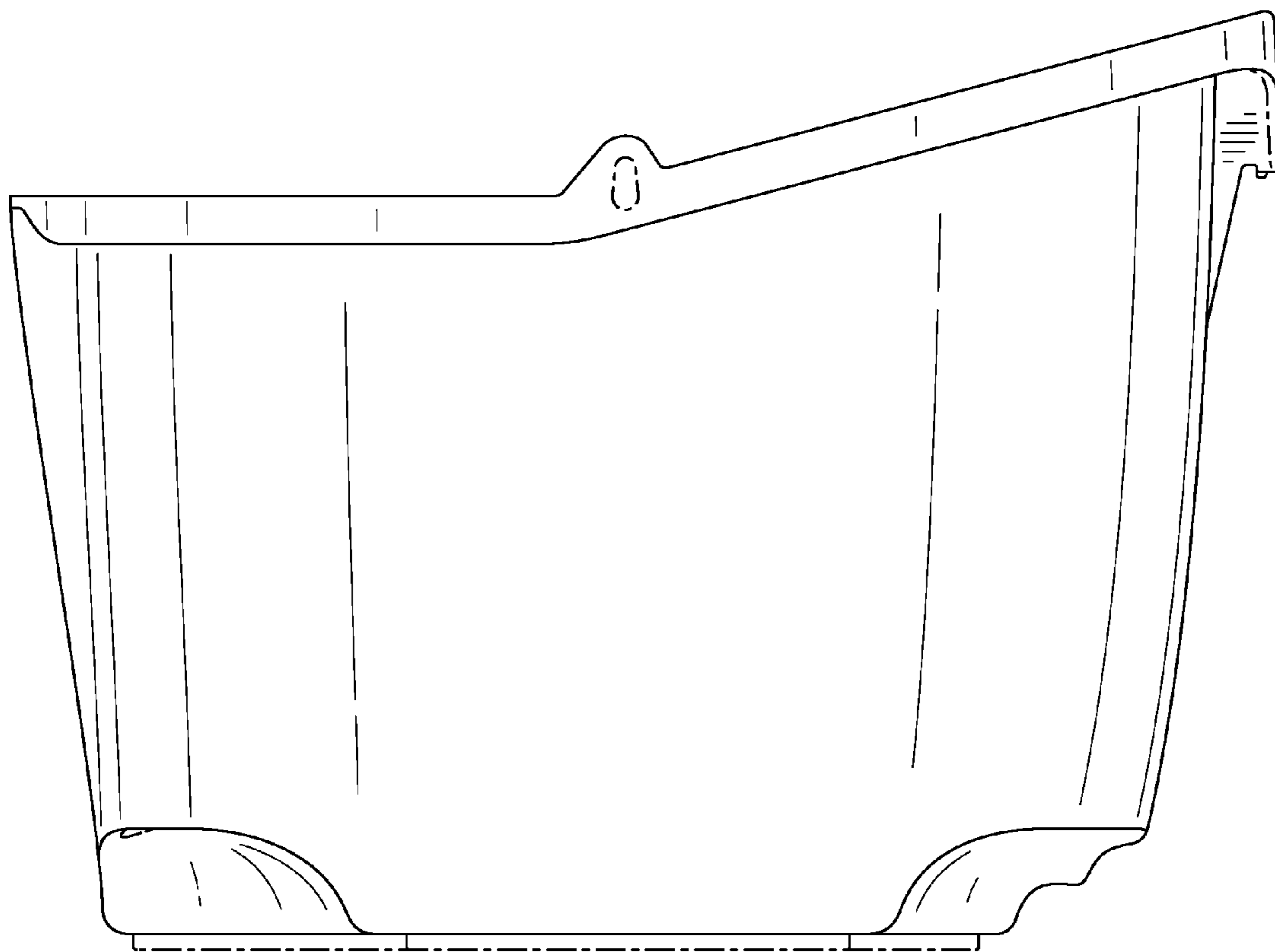


FIG. 5

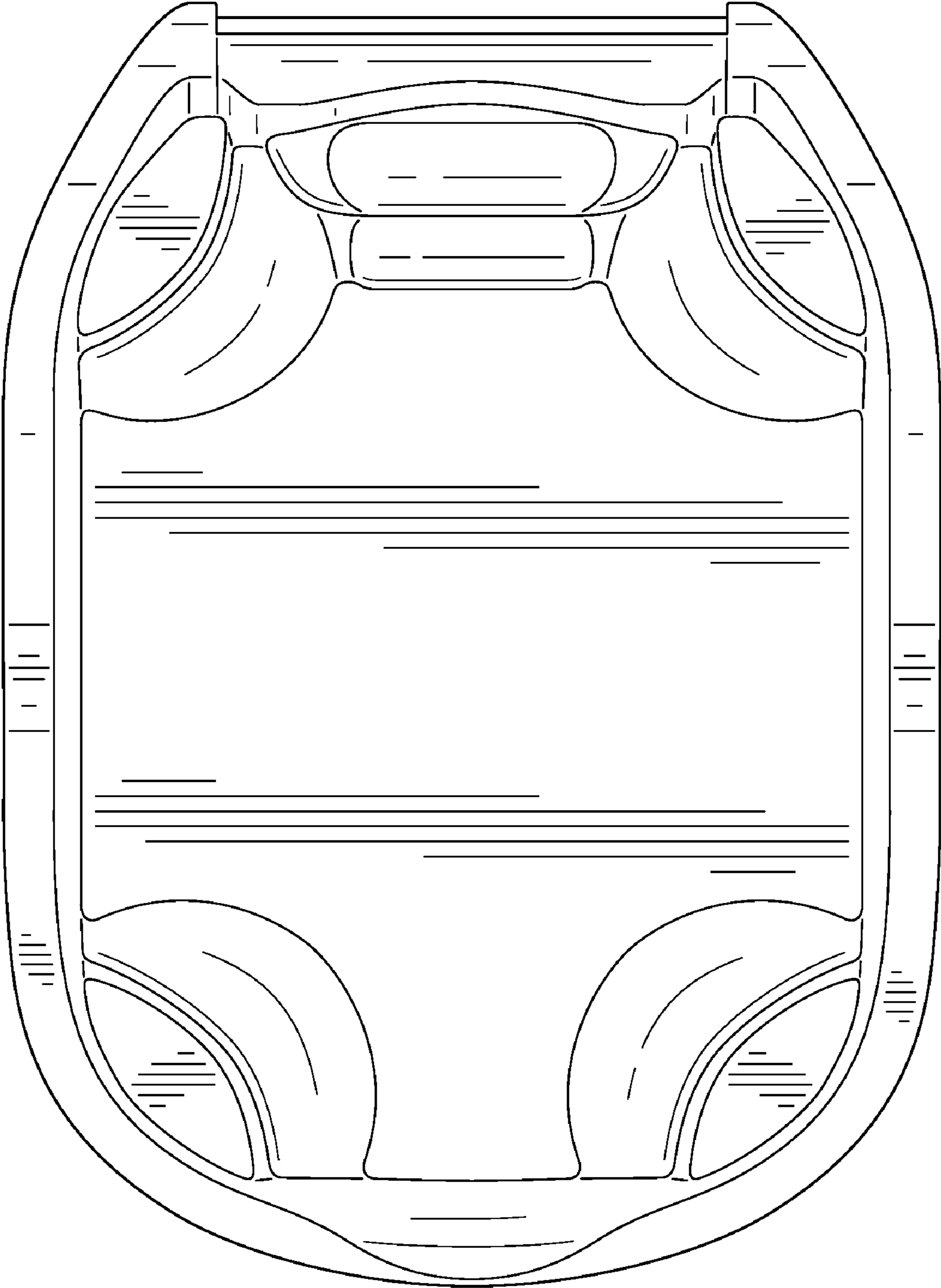


FIG. 6

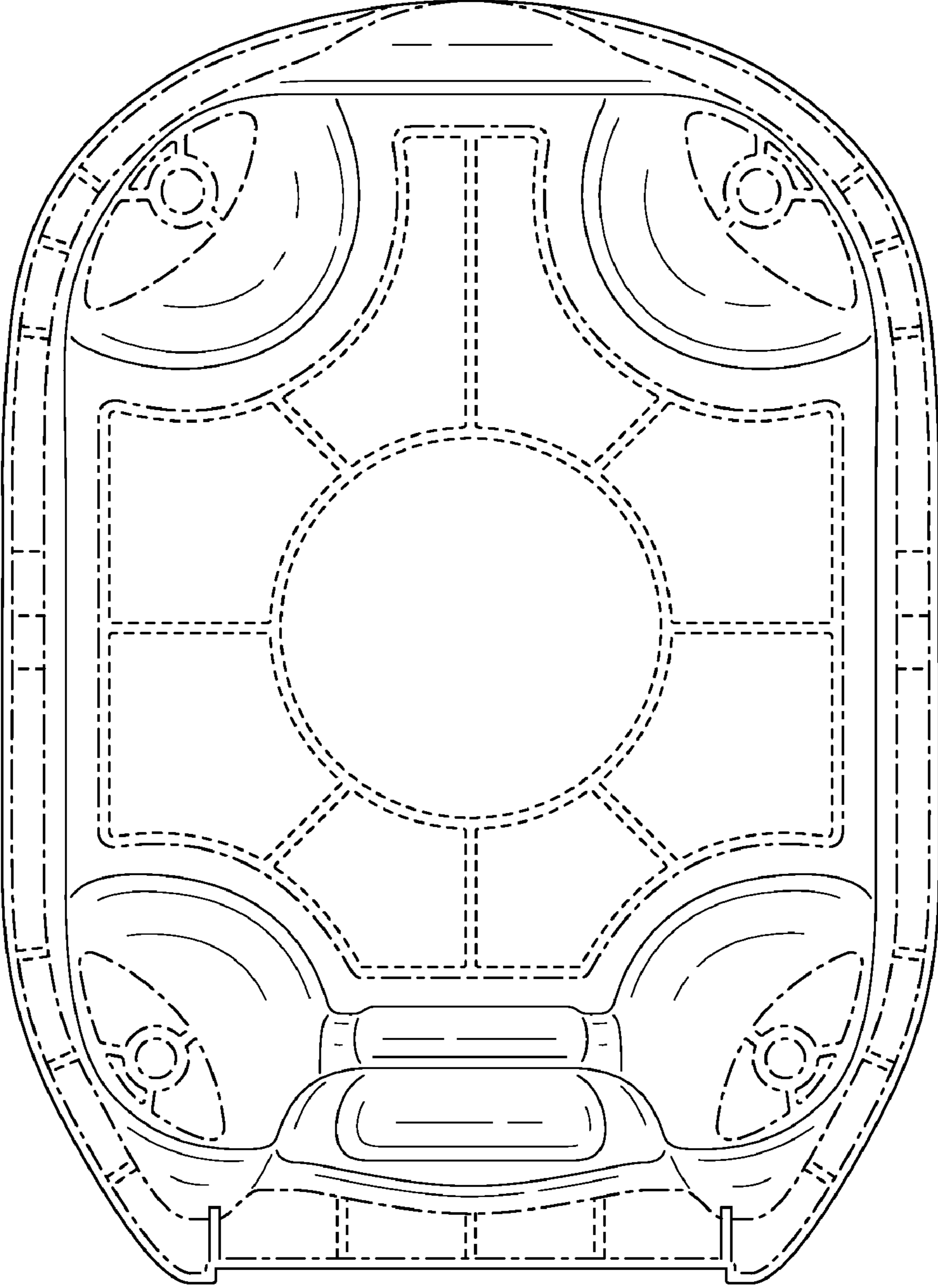


FIG. 7

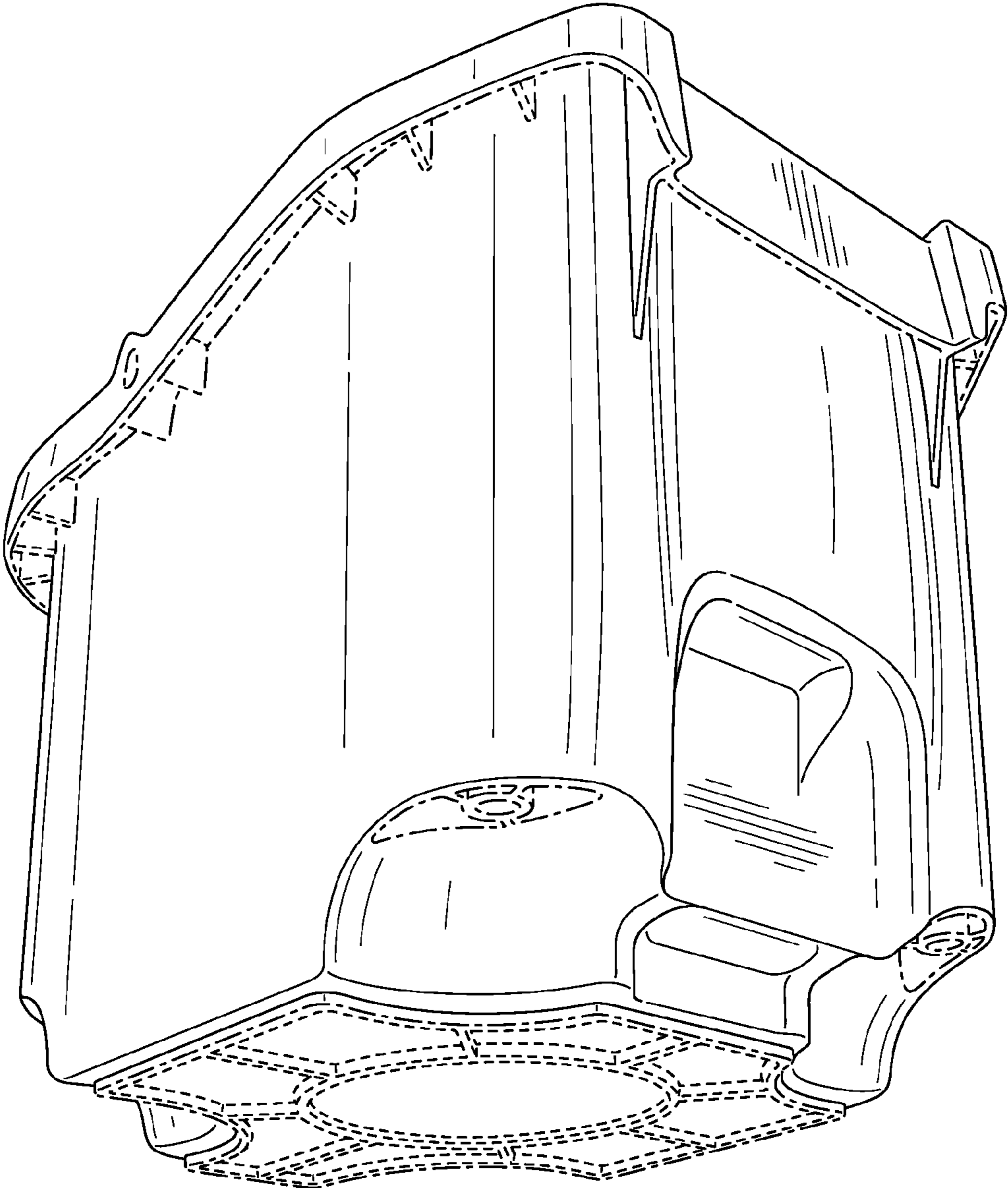


FIG. 8