



US00D633671S

(12) **United States Design Patent**
Franklin et al.

(10) **Patent No.:** **US D633,671 S**
(45) **Date of Patent:** **** Mar. 1, 2011**

(54) **MOP FRAME**

(75) Inventors: **Jonathan Franklin**, Sidney, IL (US);
Enzo Berti, Pianiga (IT)

(73) Assignee: **The Libman Company**, Arcola, IL (US)

(**) Term: **14 Years**

(21) Appl. No.: **29/354,048**

(22) Filed: **Jan. 19, 2010**

(51) **LOC (9) Cl.** **04-01**

(52) **U.S. Cl.** **D32/40; D32/50**

(58) **Field of Classification Search** **D32/40-45,**
D32/50, 51; 401/137; 15/150, 227, 245,
15/245.1

See application file for complete search history.

(56) **References Cited**

U.S. PATENT DOCUMENTS

65,584 A	6/1867	Meador	
283,121 A	8/1883	Lee	
512,543 A	1/1894	Froberg	
659,918 A	10/1900	Froberg	
696,759 A	4/1902	Schmidt	
899,437 A	9/1908	Rivers	
1,056,963 A	3/1913	Wing	
1,267,398 A	5/1918	Gavin	
1,358,399 A	11/1920	Sommer et al.	
1,376,175 A	4/1921	Sundermann, Jr.	
1,438,644 A	12/1922	Hill	
1,475,479 A	11/1923	Feth	
1,492,910 A	5/1924	Wingrave	
1,535,767 A	4/1925	Cunningham	
1,959,949 A *	5/1934	Firestone	15/152
1,968,622 A	7/1934	Smith	
D139,173 S *	10/1944	Cambern	D32/50
2,412,150 A	12/1946	Hill	
2,501,514 A	3/1950	Hill	
2,568,218 A	9/1951	Campbell	
2,900,652 A	8/1959	Kautenberg	
3,187,363 A	6/1965	Auwarter	
3,398,420 A	8/1968	Manning	
3,457,581 A	7/1969	Oas	

3,544,173 A	12/1970	Senick et al.	
3,688,331 A	9/1972	Saltzstein	
4,287,632 A	9/1981	Hammond	
4,422,203 A	12/1983	Zenker	
4,553,282 A	11/1985	Batchelor	
D281,635 S	12/1985	Machaek et al.	
4,694,524 A	9/1987	Kim	
D294,415 S *	2/1988	Jones	D32/44
4,850,072 A	7/1989	Smith	
D332,701 S *	1/1993	Berti	D4/199
5,345,643 A	9/1994	Tomm	
5,701,628 A	12/1997	Morad	

(Continued)

Primary Examiner—Robin V Webster
(74) *Attorney, Agent, or Firm*—Banner & Witcoff, Ltd.

(57) **CLAIM**

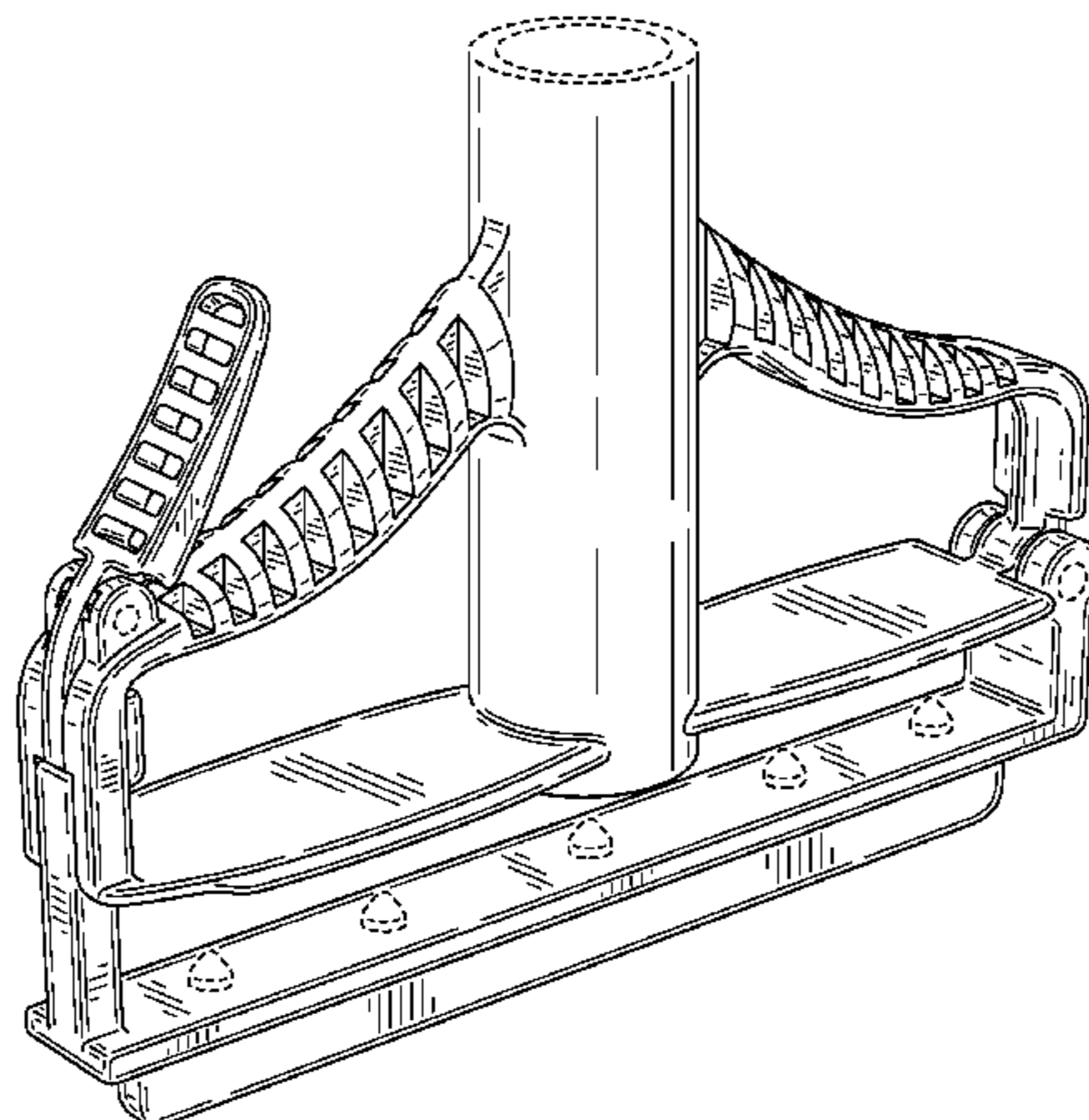
The ornamental design for a mop frame, as shown and described.

DESCRIPTION

FIG. 1 is a front left perspective view of a mop frame that shows our new design;
FIG. 2 is a front right perspective view thereof;
FIG. 3 is a front view thereof;
FIG. 4 is a rear view thereof;
FIG. 5 is a left view thereof;
FIG. 6 is a right view thereof;
FIG. 7 is a top view thereof;
FIG. 8 is bottom view thereof; and,
FIG. 9 is a front left perspective view in an open position thereof.

The even broken lines showing the remainder of the mop frame are for illustrative purposes only and form no part of the claimed design.

1 Claim, 7 Drawing Sheets



US D633,671 S

Page 2

U.S. PATENT DOCUMENTS

5,724,696	A	3/1998	Di Giammarino	6,637,065	B2	10/2003	Biggs	
D404,862	S *	1/1999	Johnson D32/50	6,694,560	B2	2/2004	Young	
5,918,340	A	7/1999	Young	7,246,399	B2	7/2007	Petner	
6,098,235	A	8/2000	Tomm et al.	D606,270	S *	12/2009	Weis et al. D32/50	
6,105,193	A	8/2000	Williams et al.	D607,169	S *	12/2009	Weis et al. D32/50	
				2004/0078911	A1	4/2004	Young	

* cited by examiner

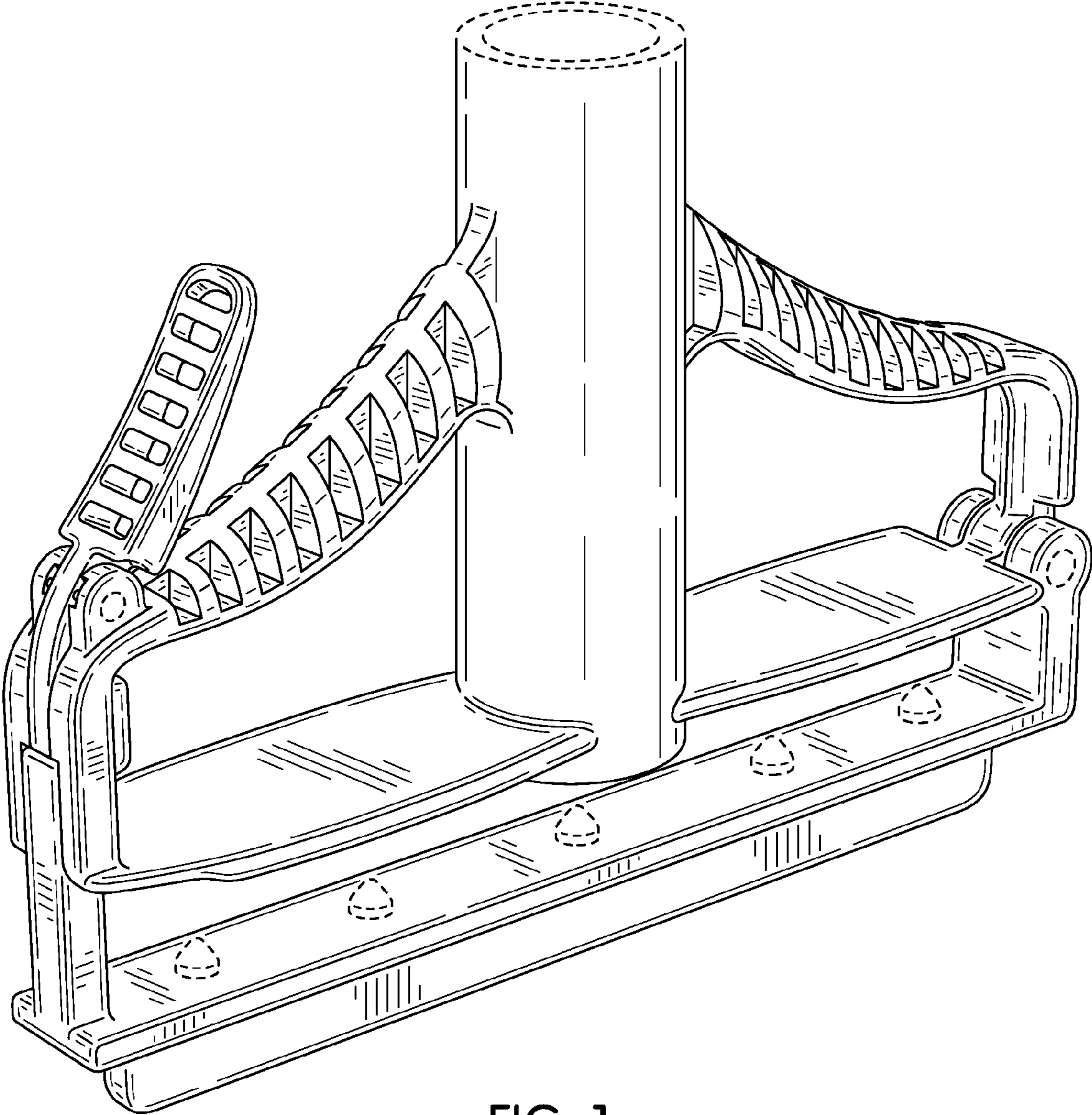


FIG. 1

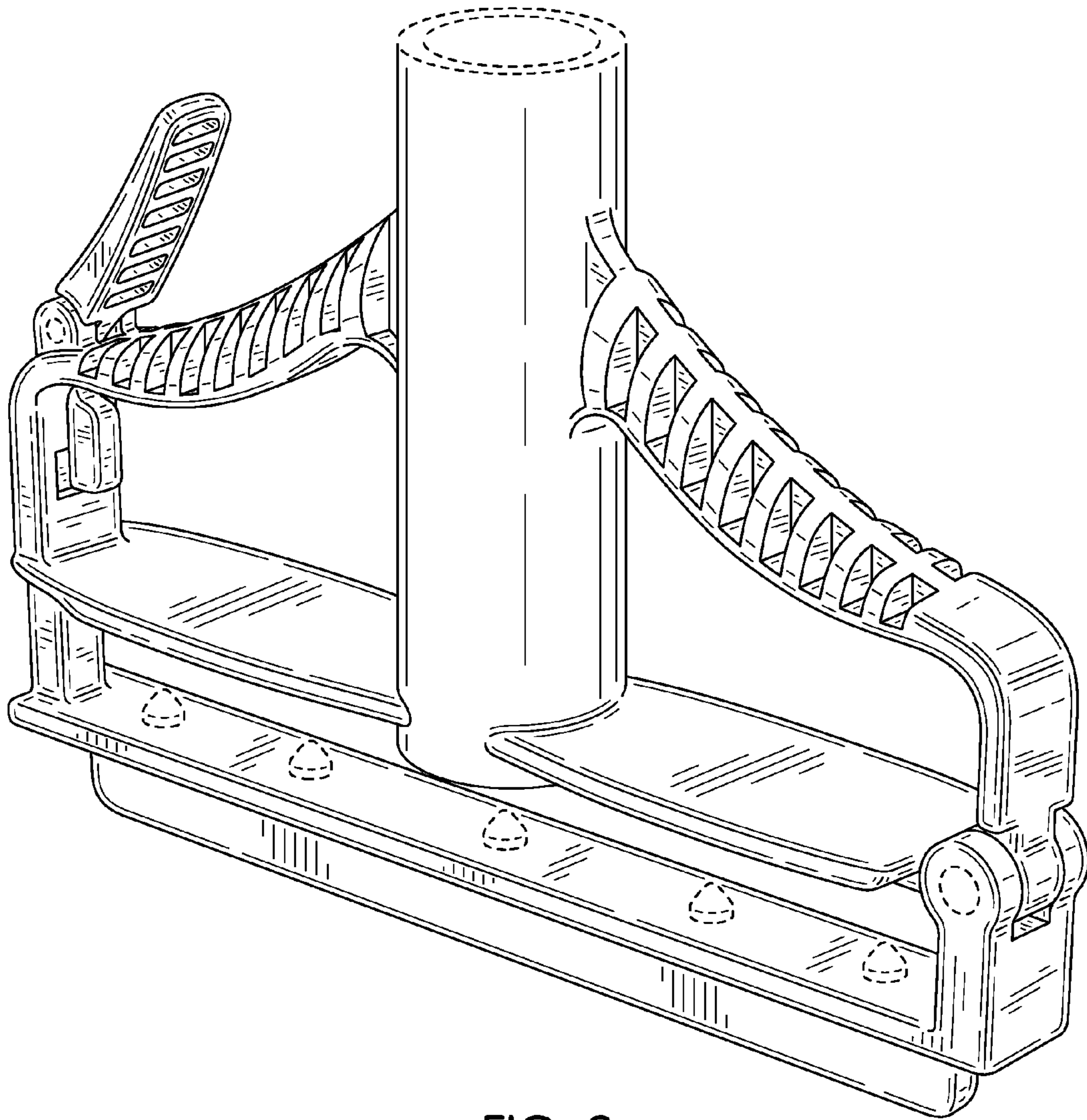


FIG. 2

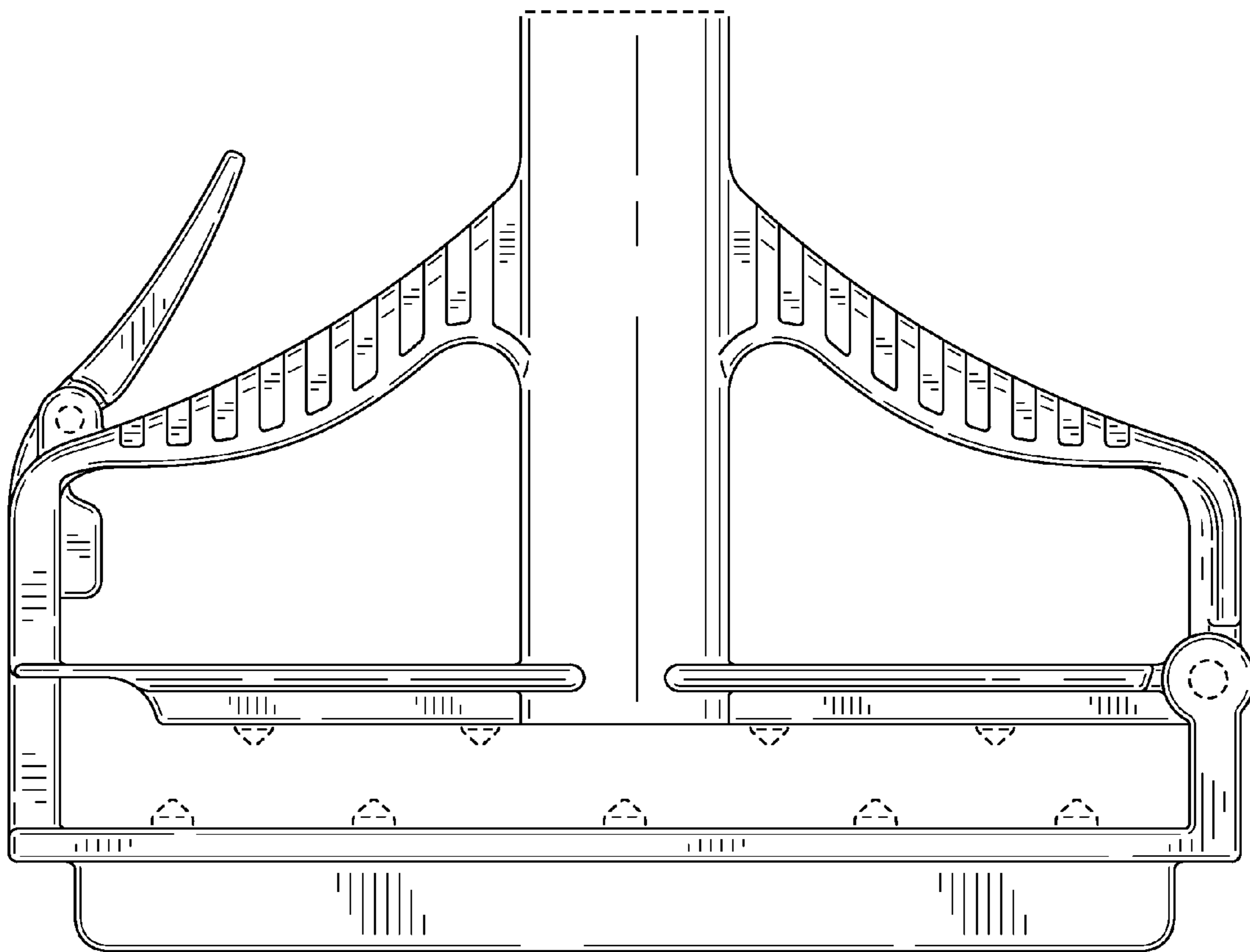


FIG. 3

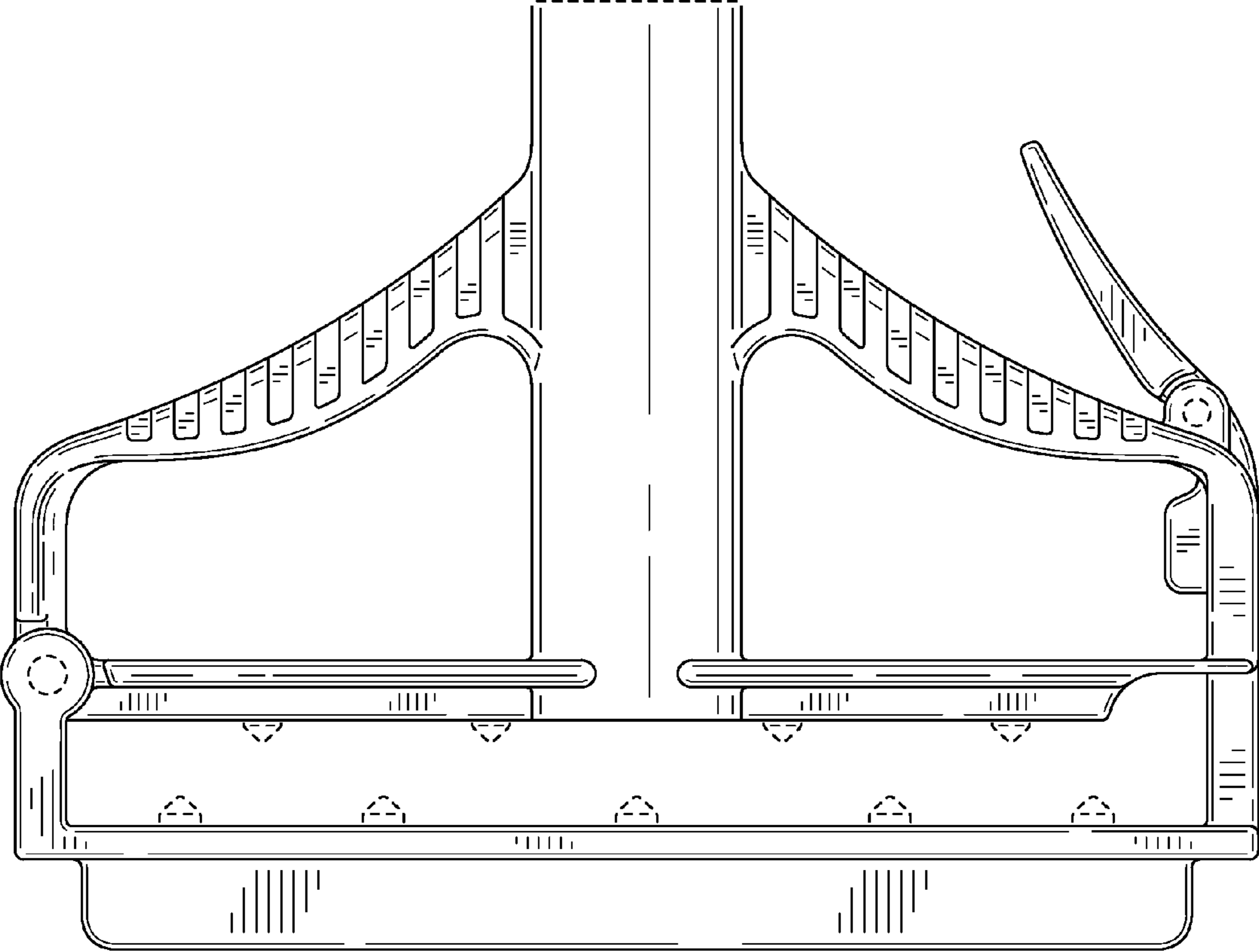


FIG. 4

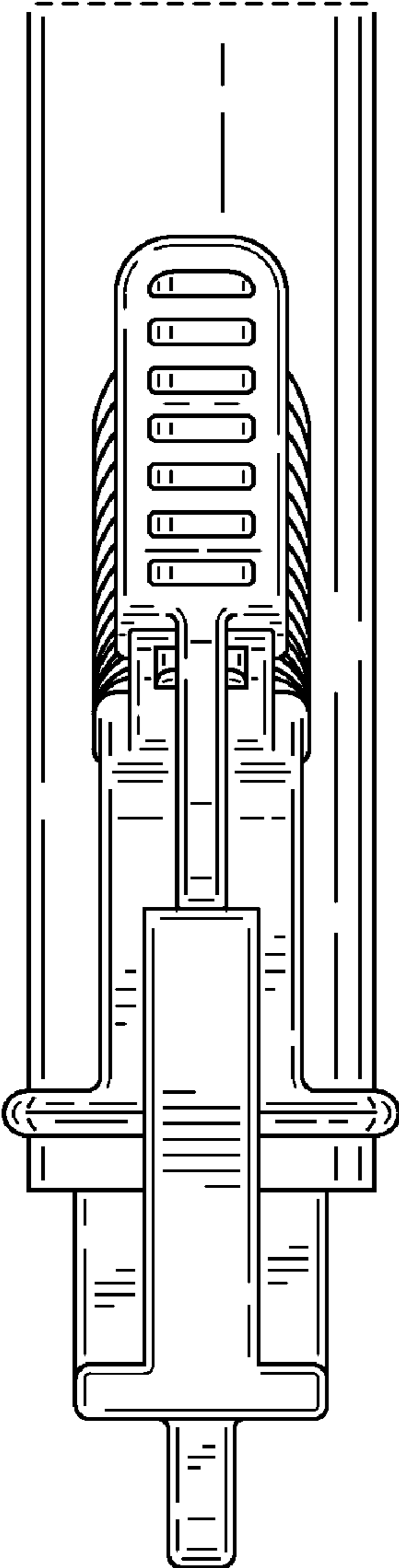


FIG. 5

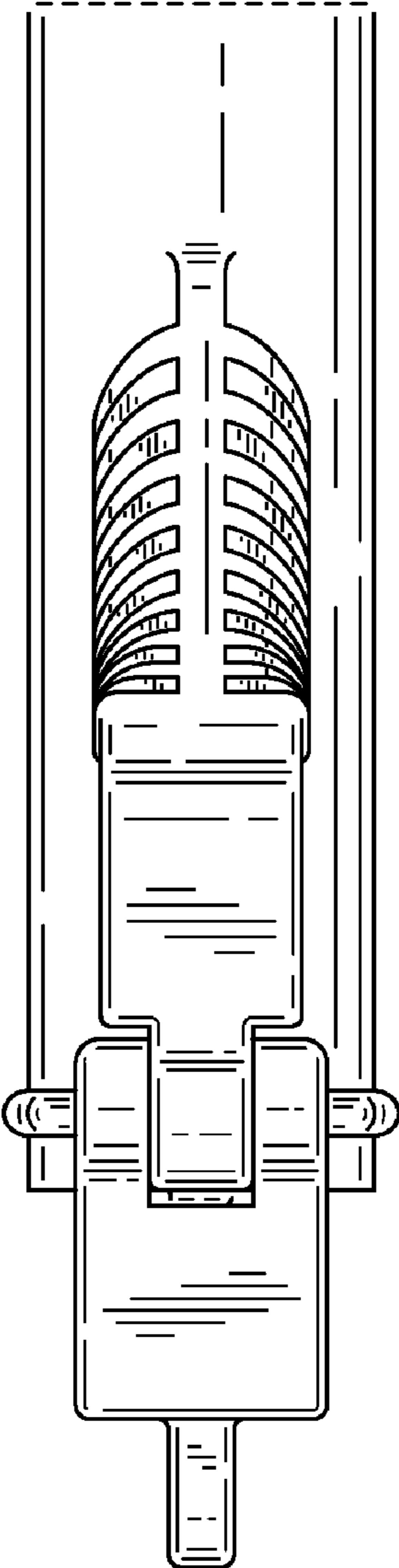


FIG. 6

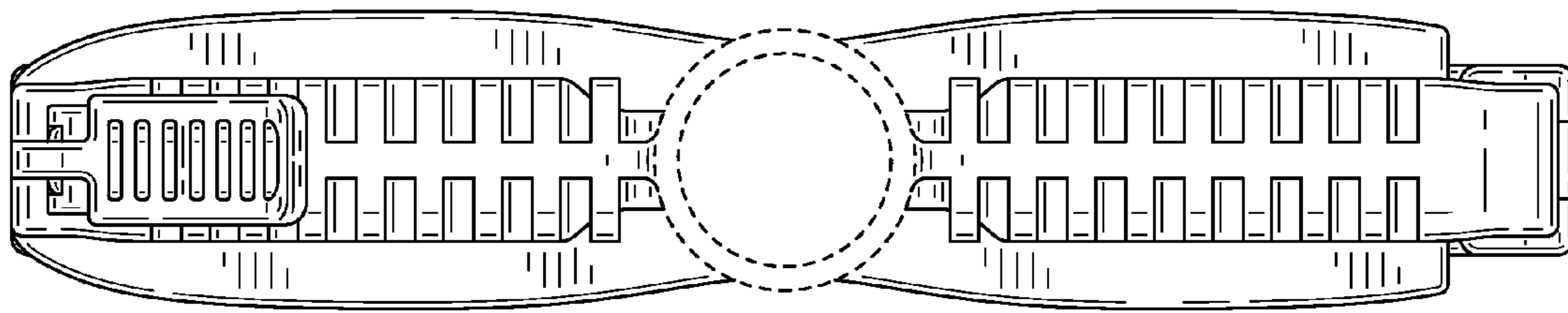


FIG. 7

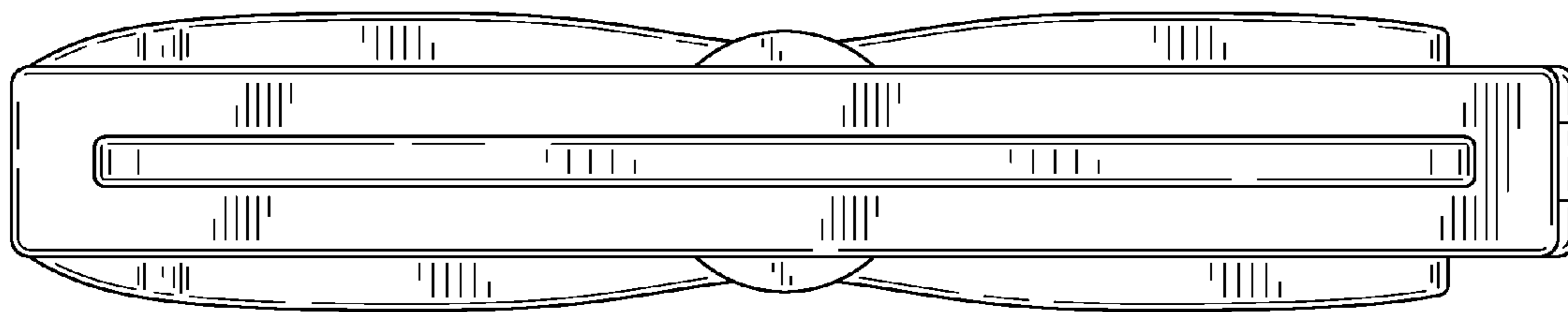


FIG. 8

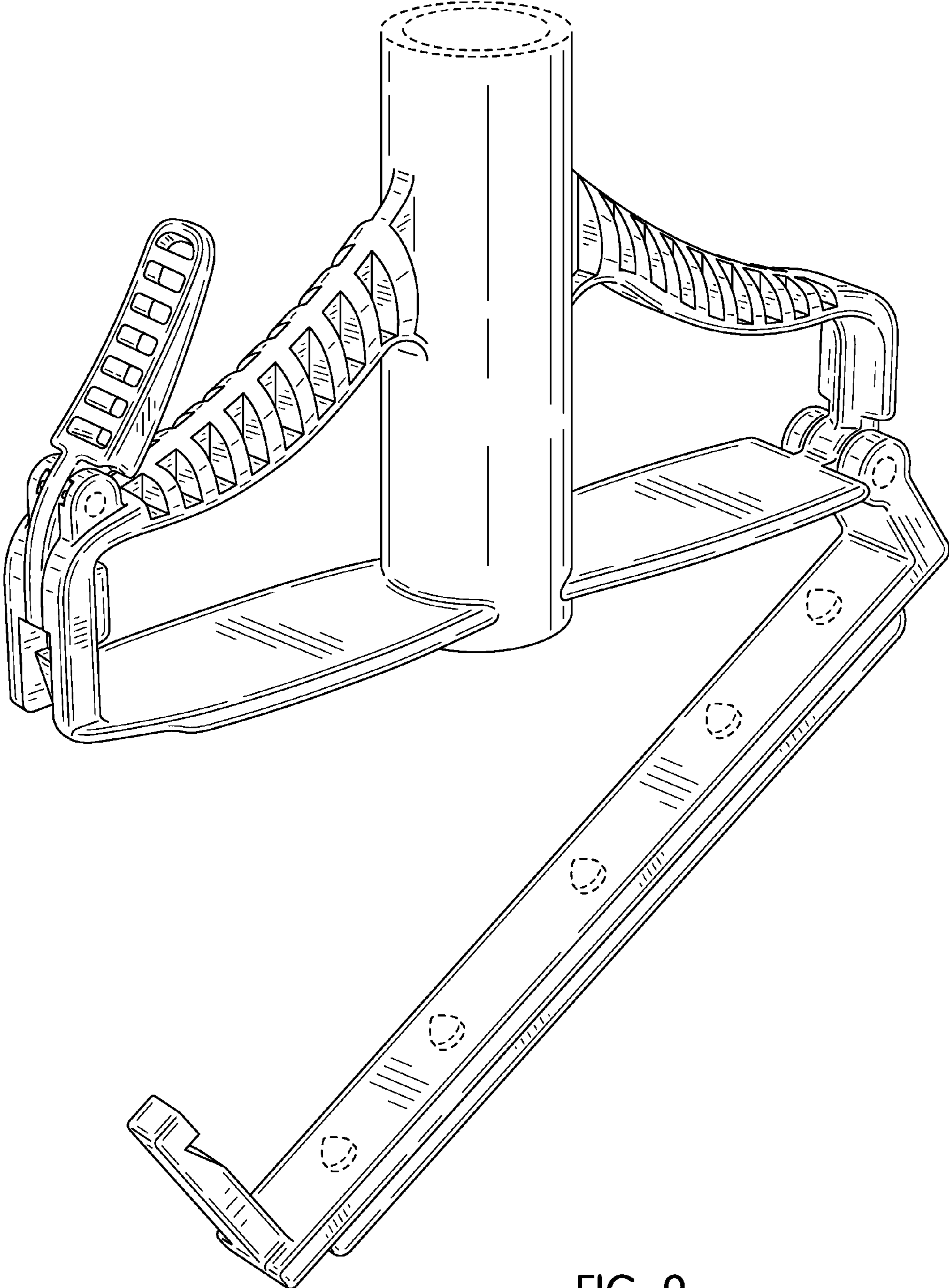


FIG. 9