



US00D633670S

(12) **United States Design Patent**
Grützke et al.

(10) **Patent No.:** **US D633,670 S**

(45) **Date of Patent:** **** Mar. 1, 2011**

(54) **LAUNDRY APPLIANCE PEDESTAL**

(75) Inventors: **Joachim Grützke**, New Bern, NC (US);
Jacques Helot, München (DE); **Andrew Roberson**, Long Beach, CA (US);
Carsten Weber, Aalen (DE)

(73) Assignee: **BSH Home Appliances Corporation**,
Huntington Beach, CA (US)

(**) Term: **14 Years**

(21) Appl. No.: **29/361,061**

(22) Filed: **May 5, 2010**

Related U.S. Application Data

(62) Division of application No. 29/314,661, filed on Apr. 16, 2009, now Pat. No. Des. 617,965, which is a division of application No. 29/286,430, filed on May 4, 2007, now Pat. No. Des. 596,813.

(51) **LOC (9) Cl.** **15-05**

(52) **U.S. Cl.** **D32/25**

(58) **Field of Classification Search** D32/1,
D32/5, 6, 8, 10, 25; D6/445, 446, 463, 510;
D7/348-349; 312/330.1, 31; 134/56 D,
134/57 D, 135; 68/3 R, 5 R, 12.01, 12.08,
68/212; 34/87-88, 132, 523-524, 534
See application file for complete search history.

(56) **References Cited**

U.S. PATENT DOCUMENTS

1,936,733 A * 11/1933 Richardson 217/65
4,850,659 A * 7/1989 Rock et al. 312/263
4,875,746 A * 10/1989 Rock et al. 312/330.1
D326,381 S * 5/1992 Heiligenthal et al. D6/510
D568,556 S * 5/2008 Gruetzke et al. D32/6

D572,418 S * 7/2008 Suh et al. D32/6
D614,366 S * 4/2010 Shor D32/6
2004/0245899 A1* 12/2004 Cho 312/351.2

* cited by examiner

Primary Examiner—T. Chase Nelson
Assistant Examiner—Kathleen M Sims

(74) *Attorney, Agent, or Firm*—James E. Howard; Andre Pallapies

(57) **CLAIM**

The ornamental design for a laundry appliance pedestal, as shown and described.

DESCRIPTION

FIG. 1 is a perspective view of a laundry appliance pedestal showing our new ornamental design;

FIG. 2 is a side view thereof;

FIG. 3 is a top view thereof;

FIG. 4 is a perspective view of a laundry appliance pedestal with the storable subdivider oriented front-to-back, instead of side-to-side as shown in FIG. 1;

FIG. 5 is perspective view similar to FIG. 1, but without the housing;

FIG. 6 is a top view thereof without the housing, the tray and the dividers;

FIG. 7 is a perspective view thereof;

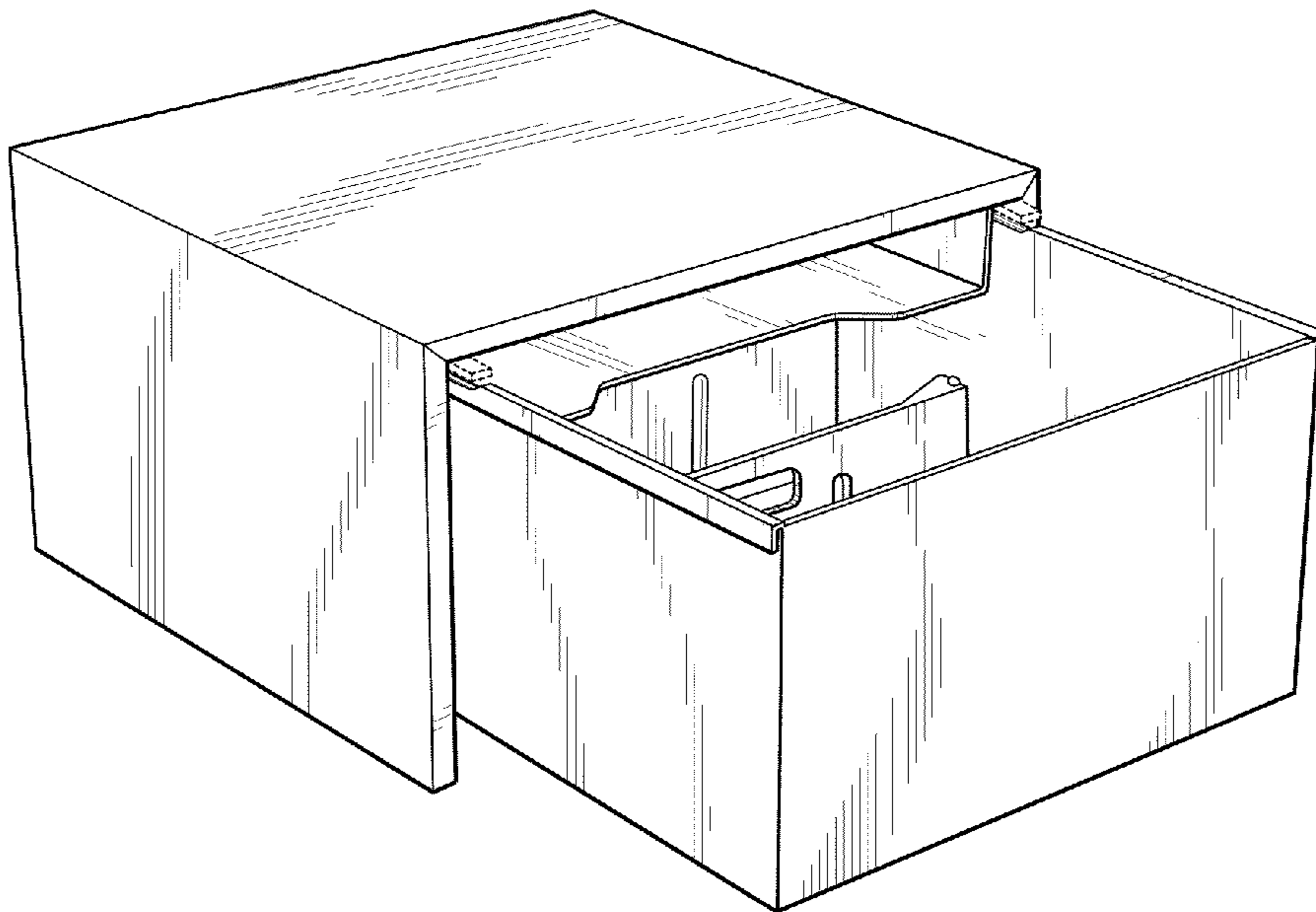
FIG. 8 is a top view of the tray in isolation;

FIG. 9 is a side view thereof; and,

FIG. 10 is a perspective view thereof.

The broken lines represent environment or structure of the laundry appliance pedestal and do not form part of the claimed design.

1 Claim, 5 Drawing Sheets



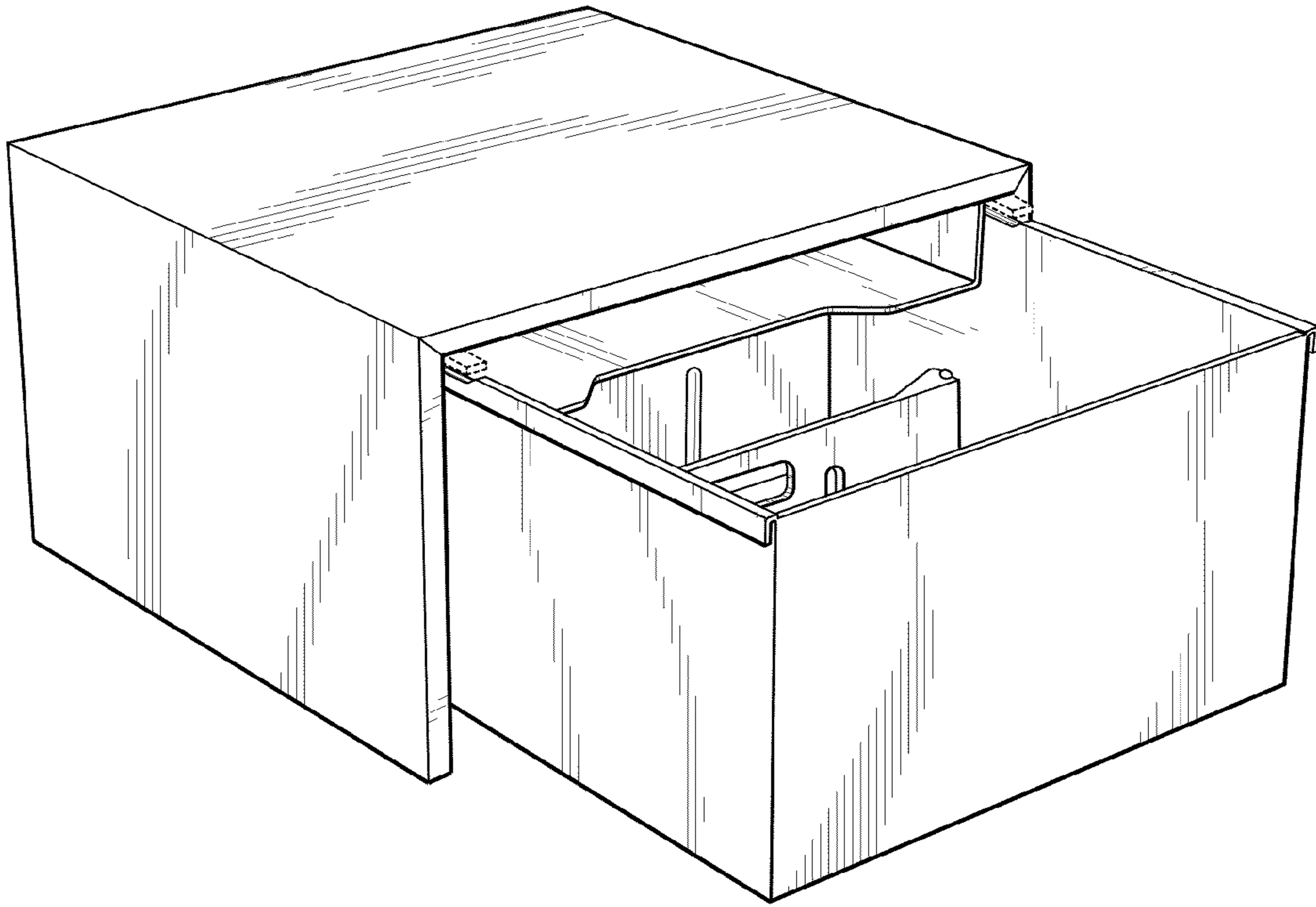


FIG. 1

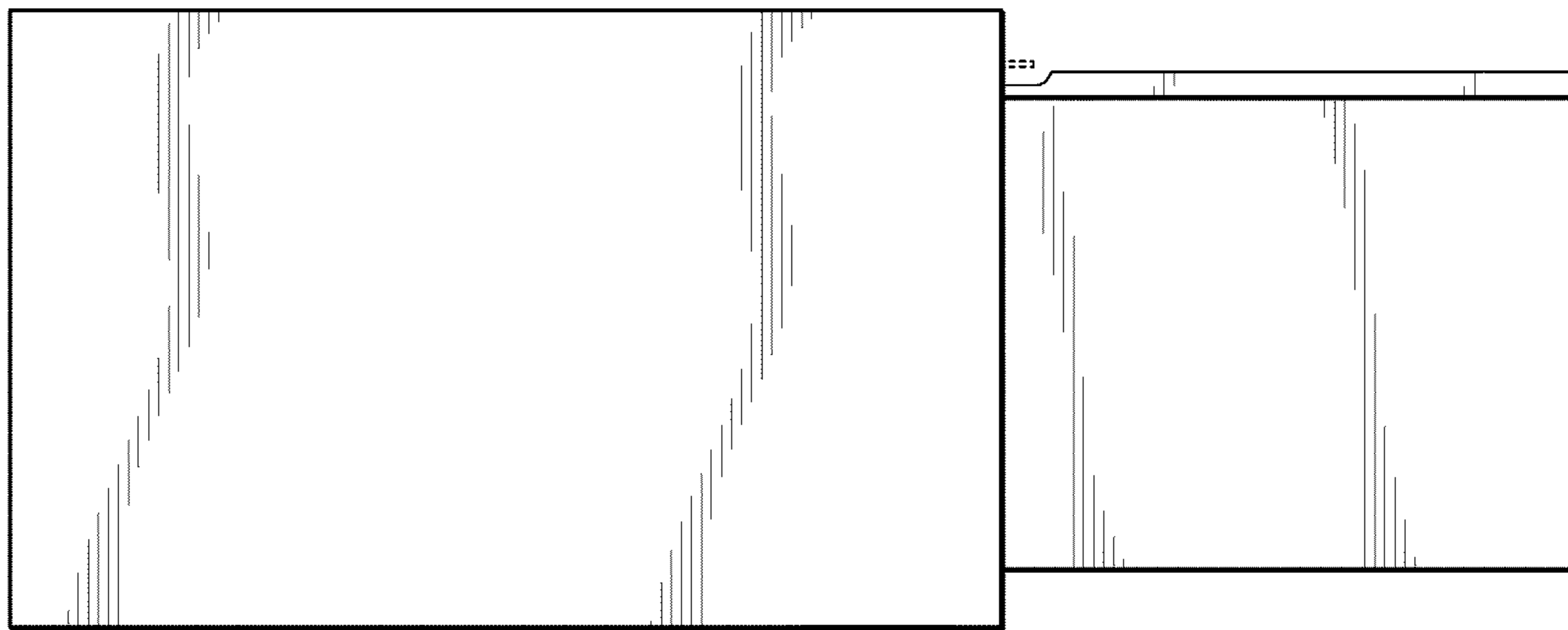


FIG. 2

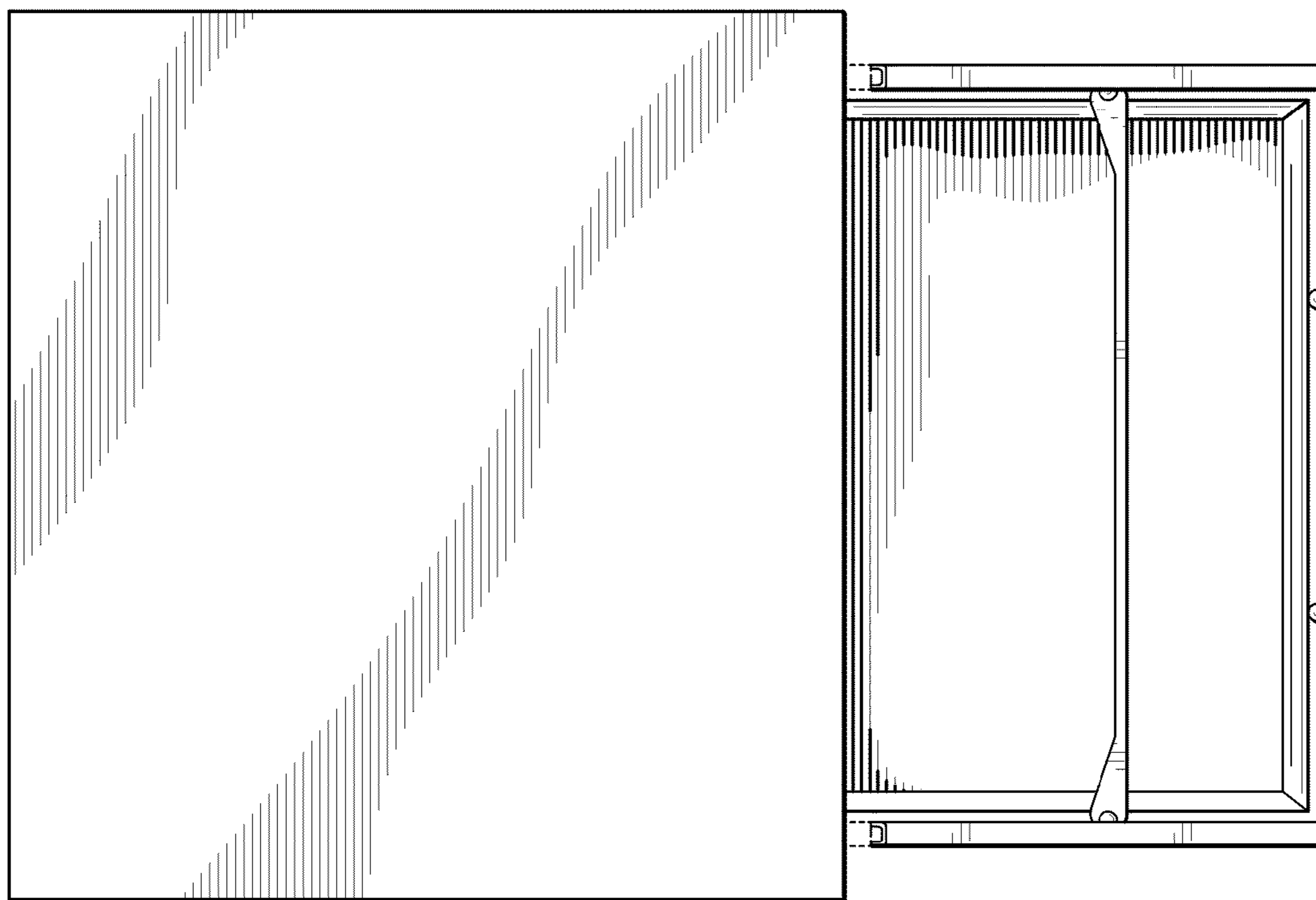


FIG. 3

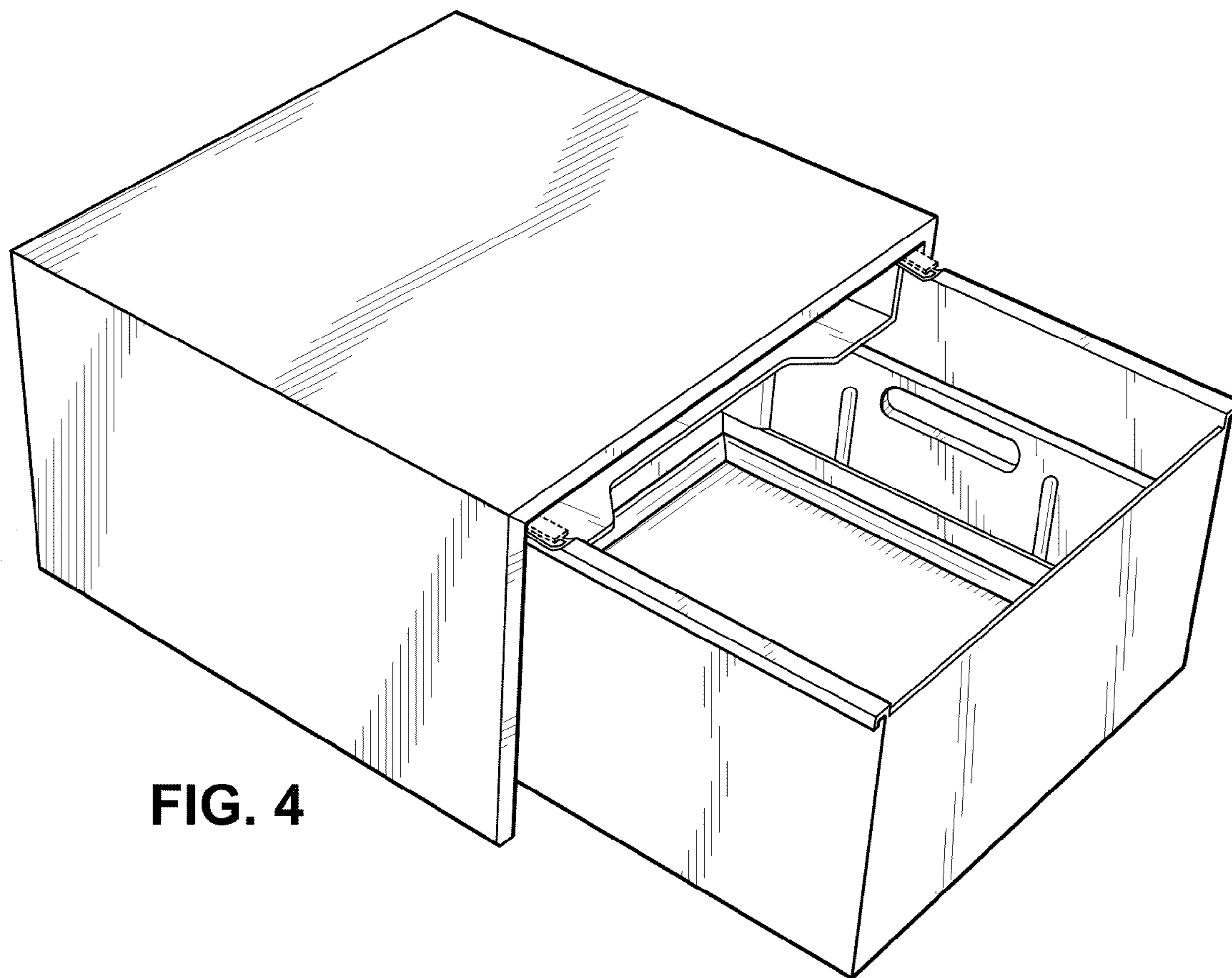


FIG. 4

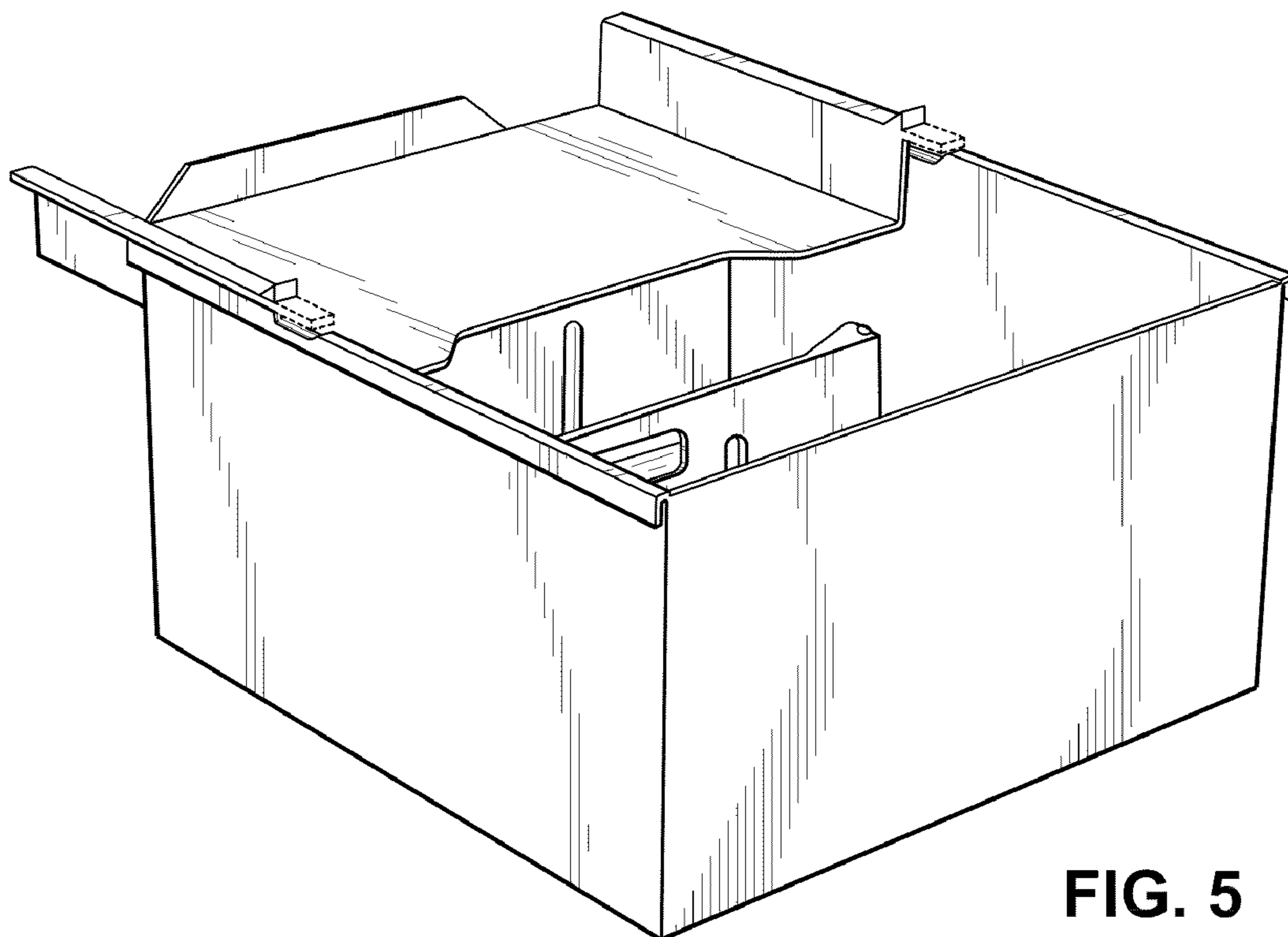


FIG. 5

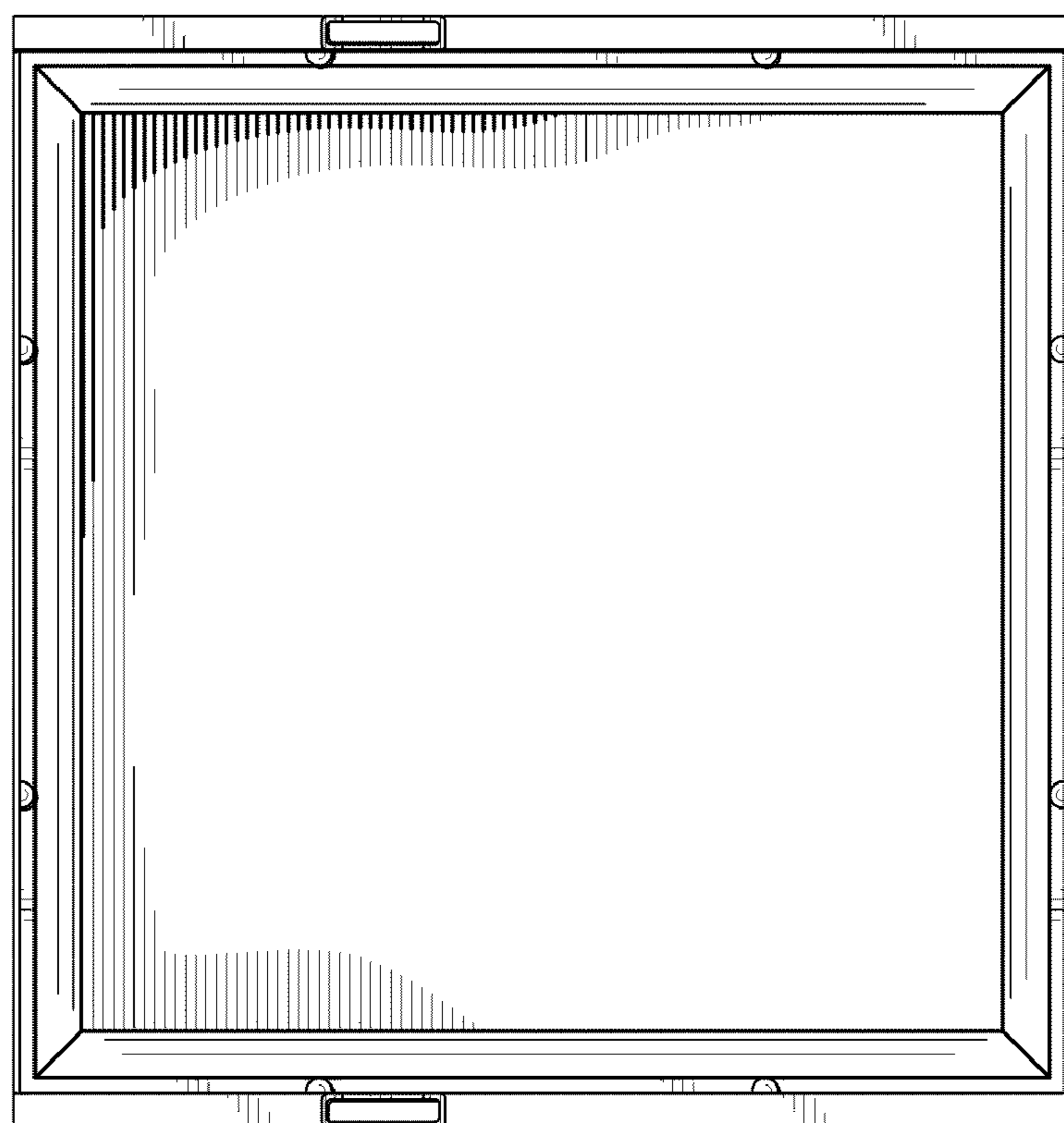


FIG. 6

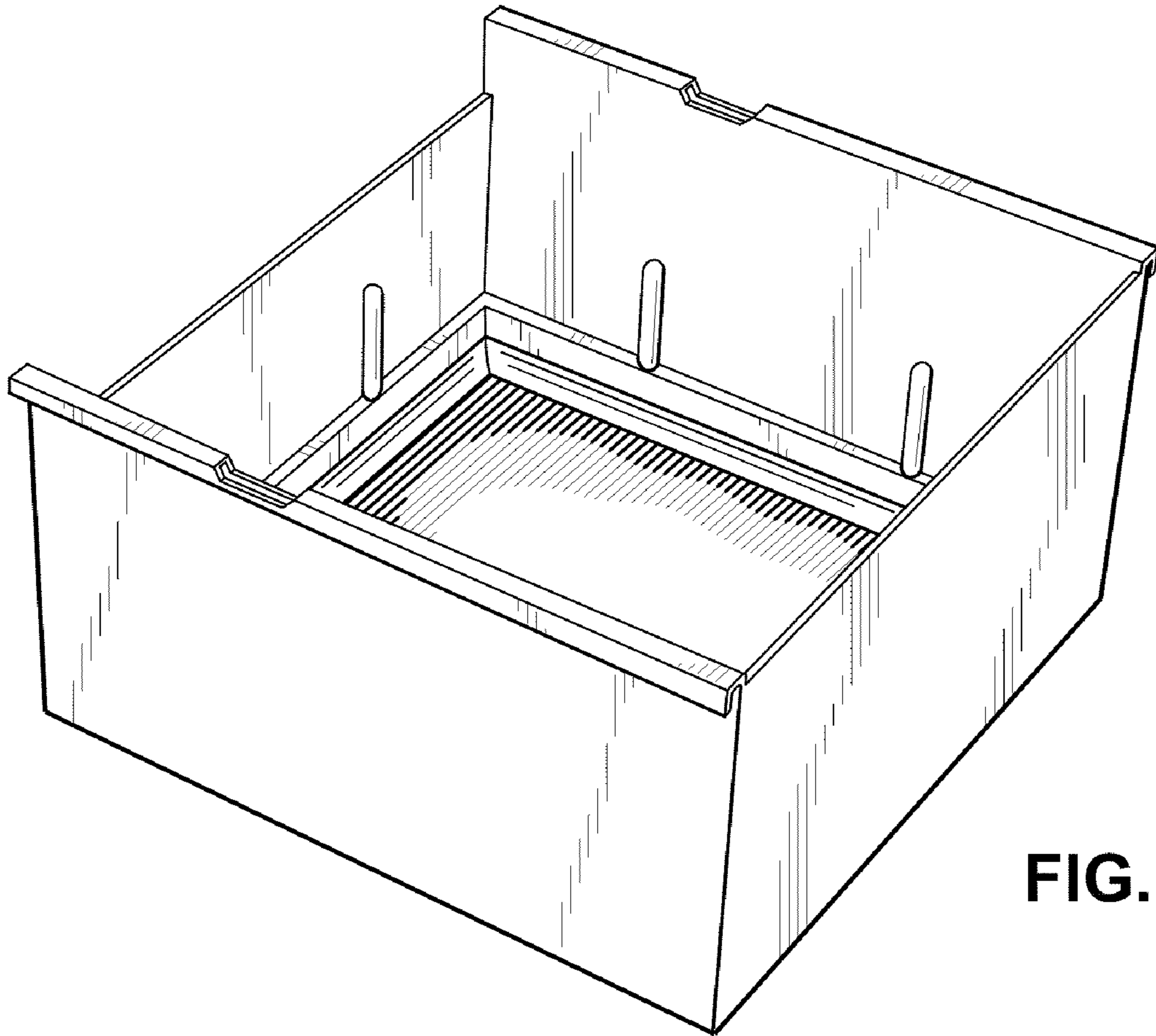


FIG. 7

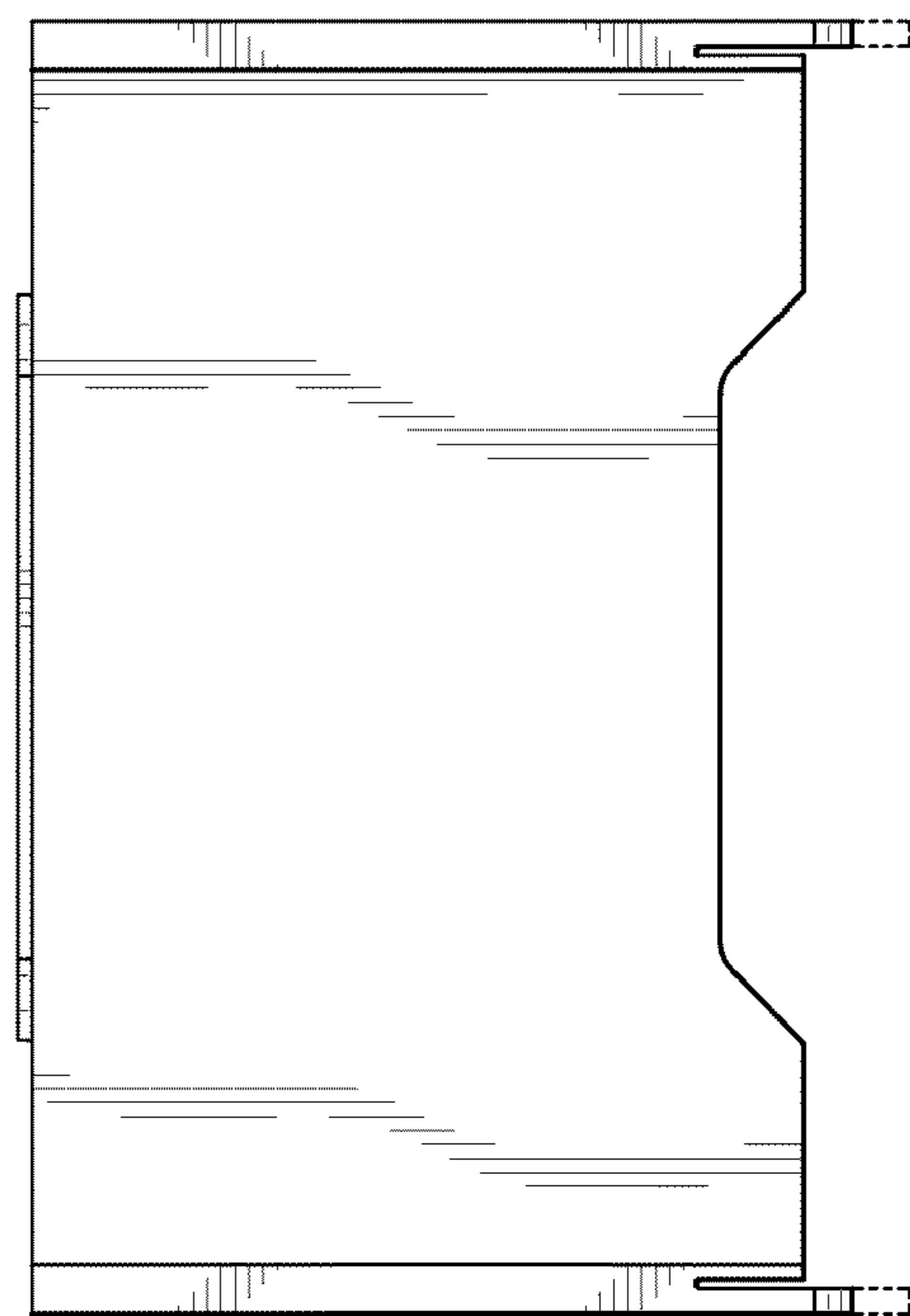


FIG. 8

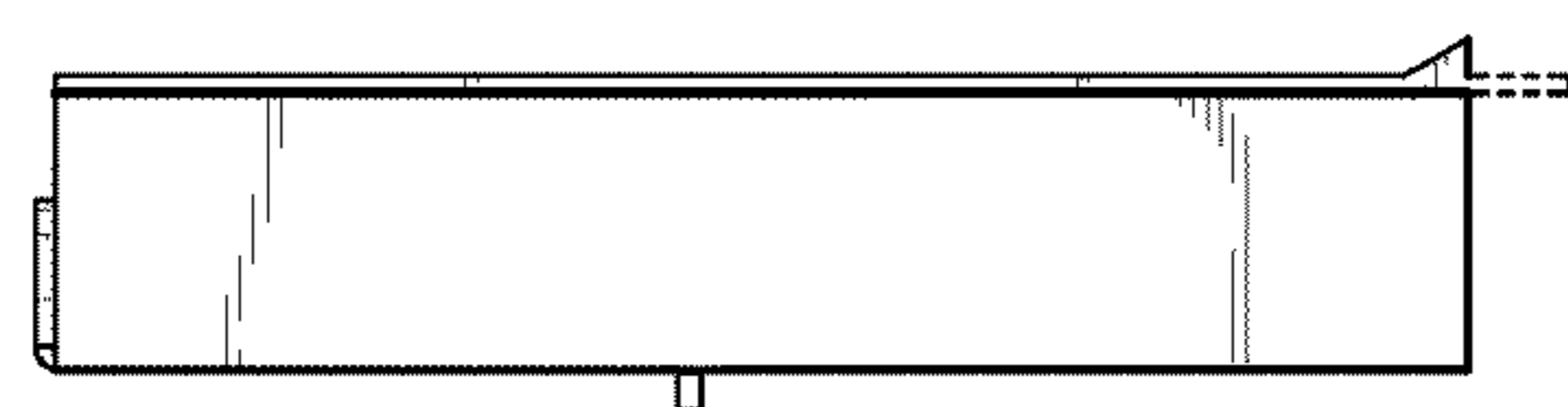


FIG. 9

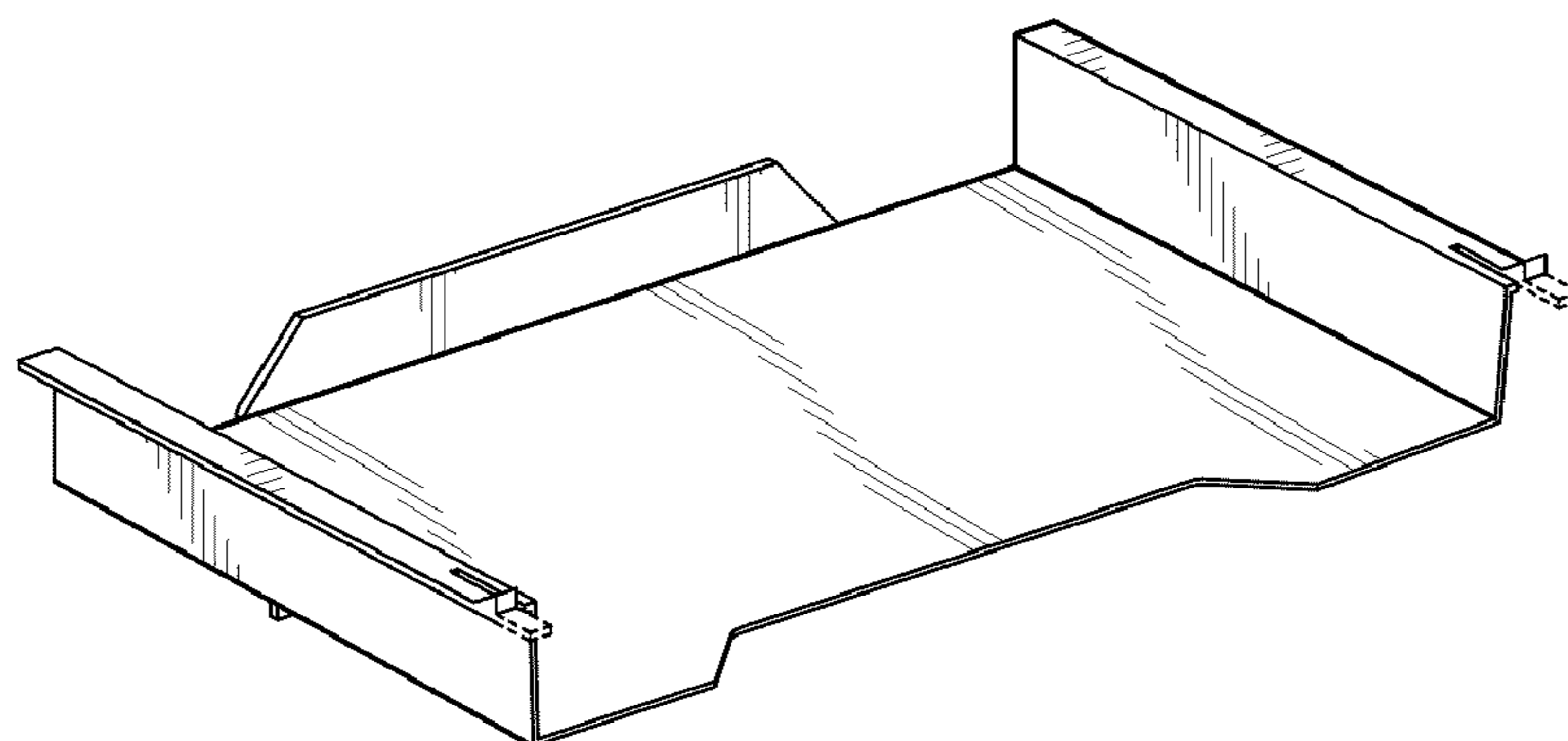


FIG. 10