



US00D633668S

(12) **United States Design Patent**
Griffin et al.

(10) **Patent No.:** **US D633,668 S**

(45) **Date of Patent:** **** *Mar. 1, 2011**

(54) **VACUUM CLEANER**

(75) Inventors: **John Griffin**, Phoenix, AZ (US); **Robert Lent Crevling, Jr.**, Williamsport, PA (US)

(73) Assignee: **Shop Vac Corporation**, Williamsport, PA (US)

(**) Term: **14 Years**

(21) Appl. No.: **29/335,677**

(22) Filed: **Apr. 20, 2009**

Related U.S. Application Data

(63) Continuation of application No. 11/364,460, filed on Feb. 28, 2006.

(51) **LOC (9) Cl.** **15-05**

(52) **U.S. Cl.** **D32/23**

(58) **Field of Classification Search** D32/21, D32/23, 31; 15/327.1, 327.2, 327.4, 327.5, 15/327.7, 320-321, 323, 301, 312.1, 314, 15/353, 412, 347; 220/23.83, 23.6

See application file for complete search history.

(56) **References Cited**

U.S. PATENT DOCUMENTS

6,055,700 A * 5/2000 Holsten et al. 15/327.2
D470,279 S 2/2003 Griffin et al.
D470,281 S * 2/2003 Griffin et al. D32/23

D569,066 S 5/2008 Crevling, Jr. et al.
D599,968 S * 9/2009 Crevling et al. D32/23
2006/0191099 A1 * 8/2006 Fry et al. 15/353

* cited by examiner

Primary Examiner—Ruth McInroy

(74) *Attorney, Agent, or Firm*—Marshall, Gerstein & Borun LLP; Richard M. LaBarge; Robert M. Gerstein

(57) **CLAIM**

The ornamental design for a vacuum cleaner, as shown and described.

DESCRIPTION

FIG. 1 is a top, front, and right side perspective view of the smaller tank shown in FIG. 2.

FIG. 2 is an exploded perspective view.

FIG. 3 is a perspective view of the vacuum cleaner in assembled condition.

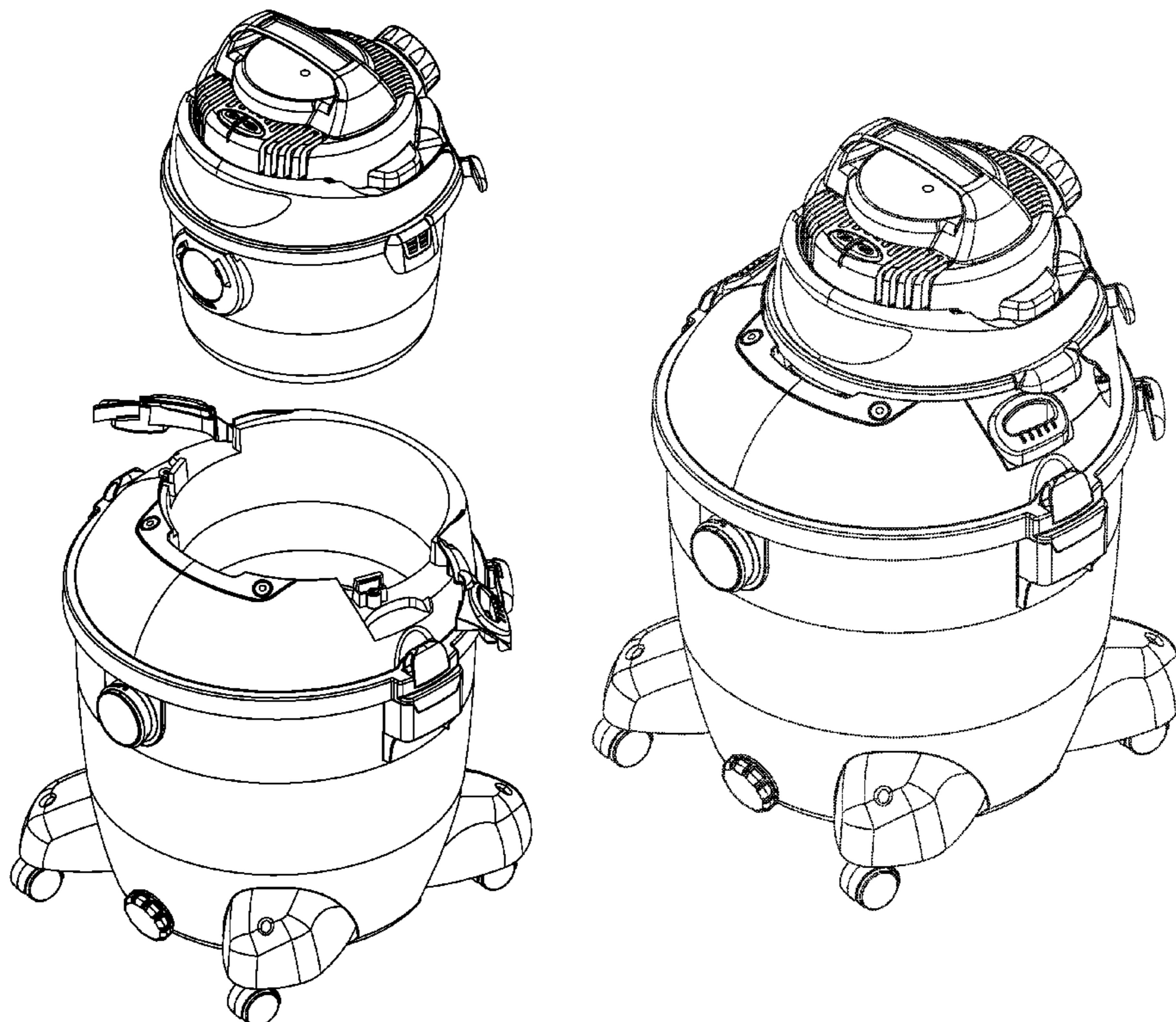
FIG. 4 is a top plan view of the vacuum cleaner as seen in FIG. 3.

FIG. 5 is a left side elevation of the vacuum cleaner as seen in FIG. 3; and,

FIG. 6 is a front elevation of the vacuum cleaner as seen in FIG. 3.

FIG. 1 is shown separately for clarity of illustration. The claimed design is for a full vacuum cleaner in assembled condition as seen in FIG. 3.

1 Claim, 6 Drawing Sheets



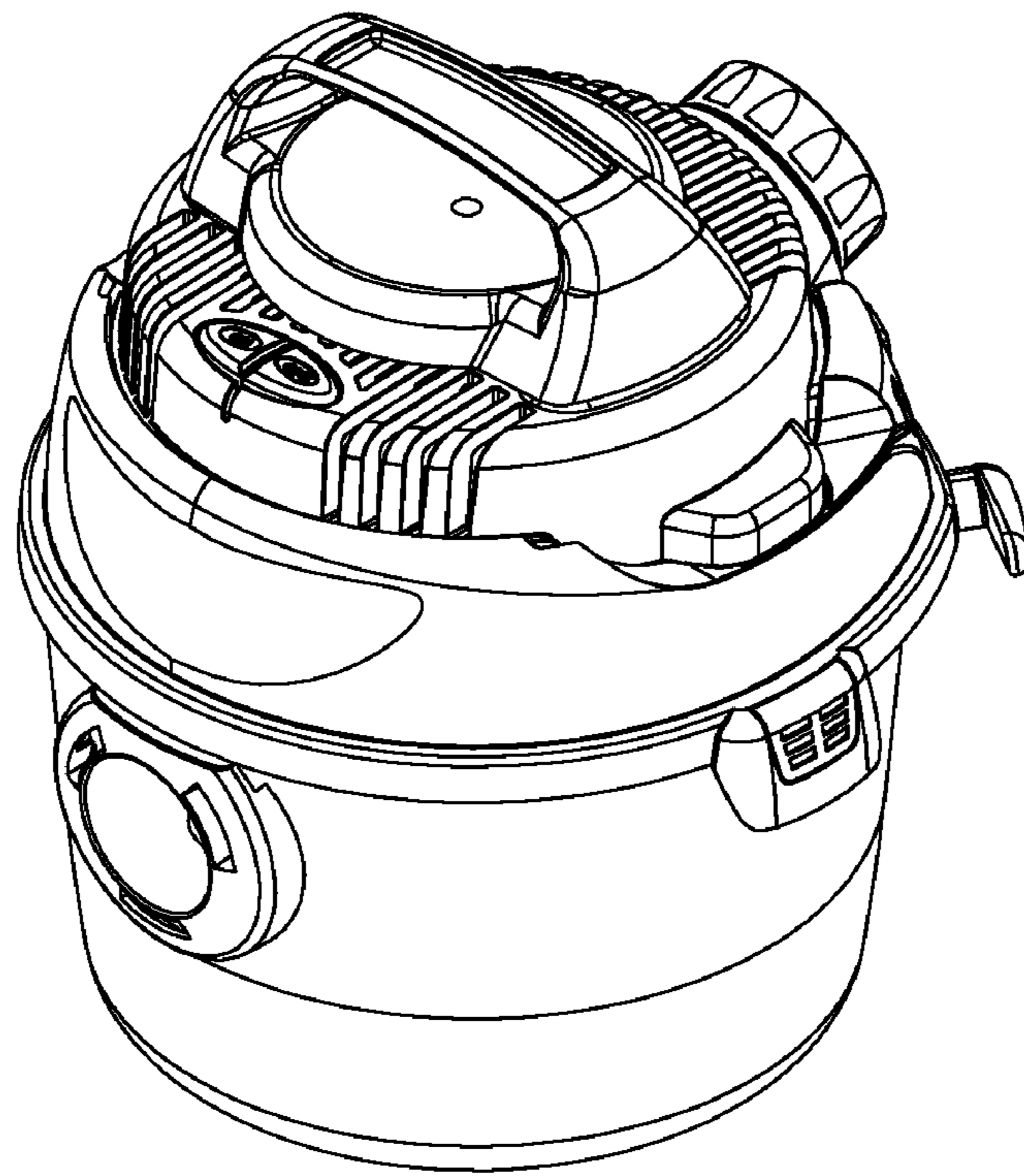


FIG. 1

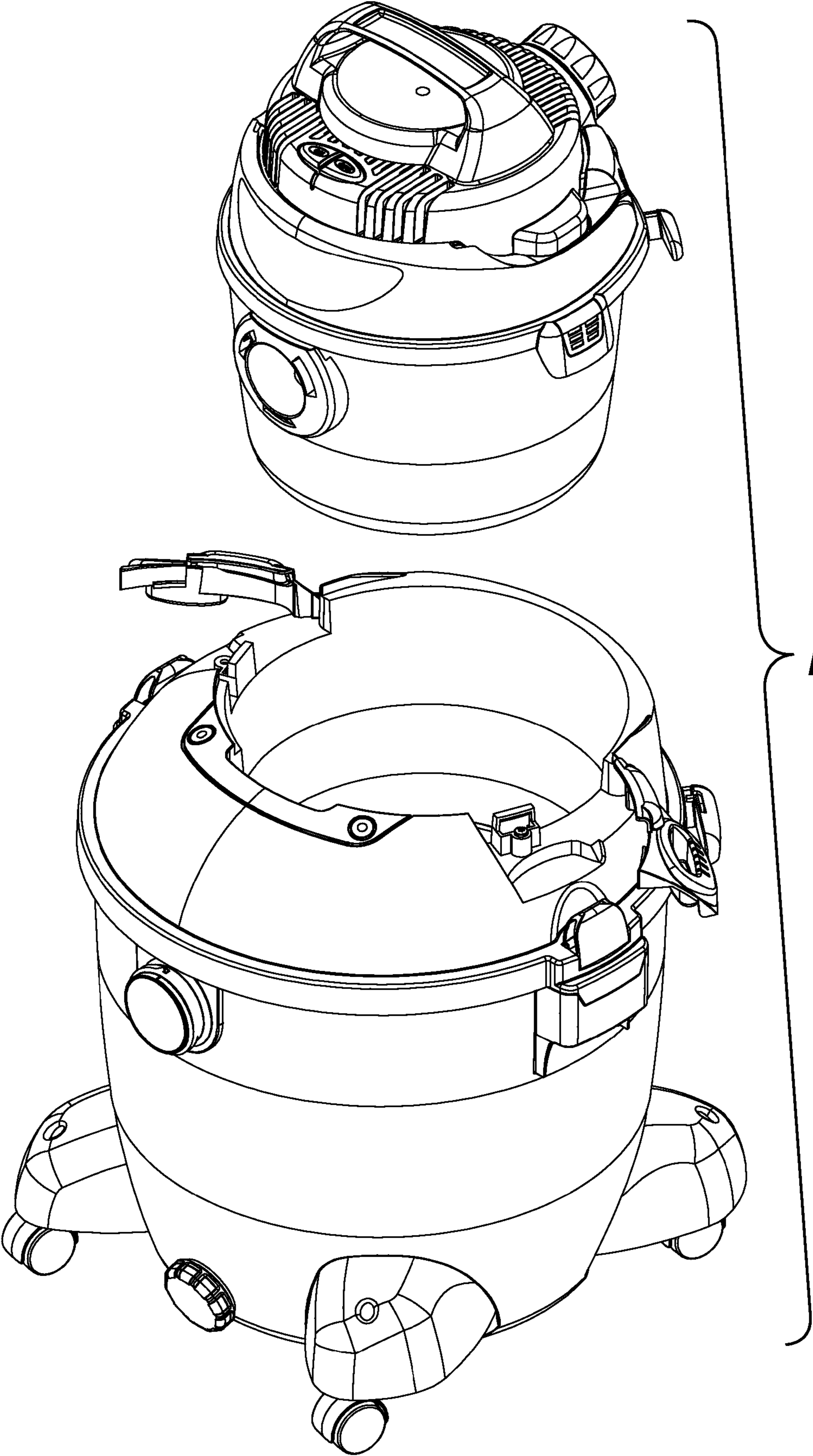


FIG. 2

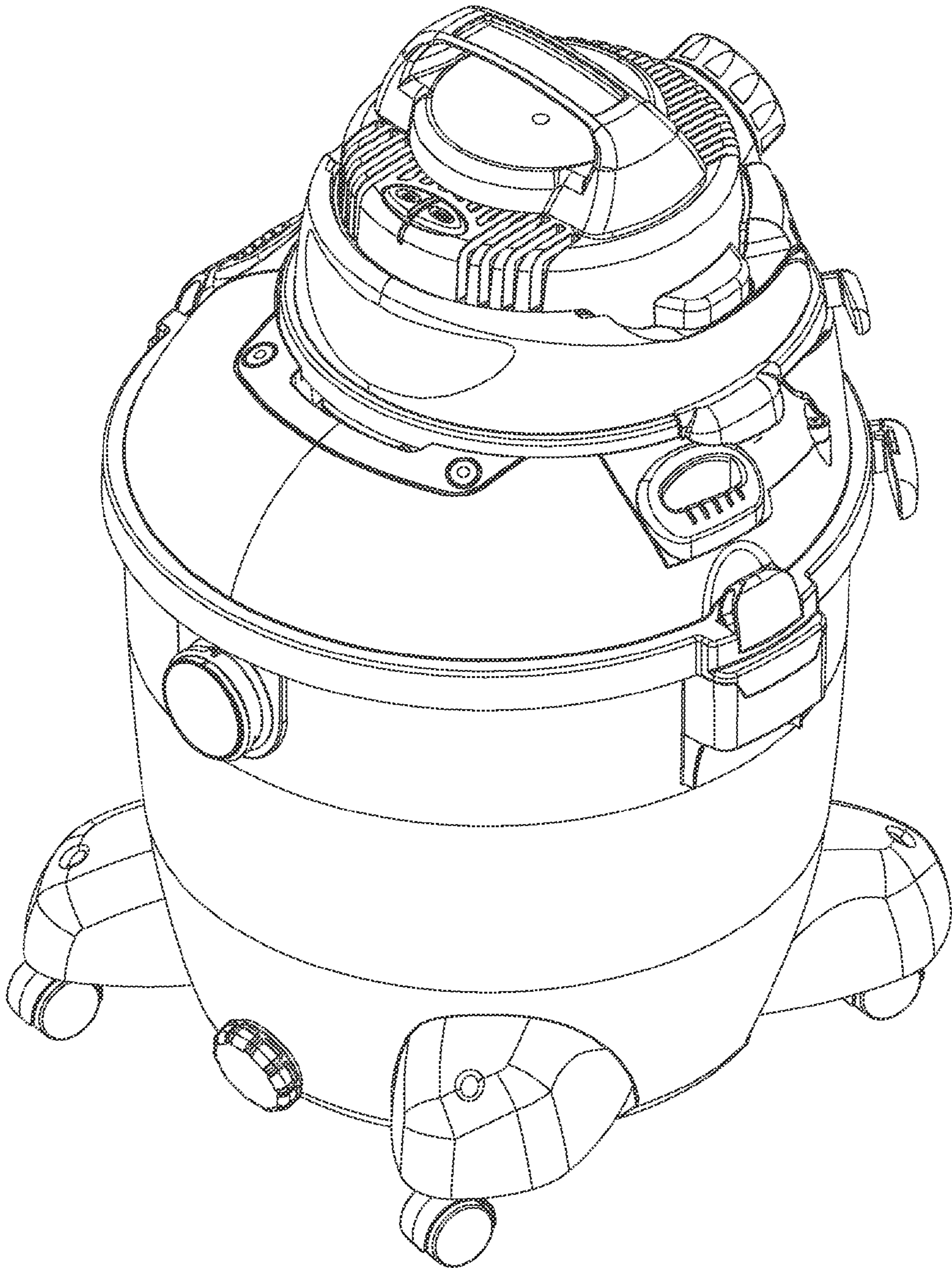


FIG. 3

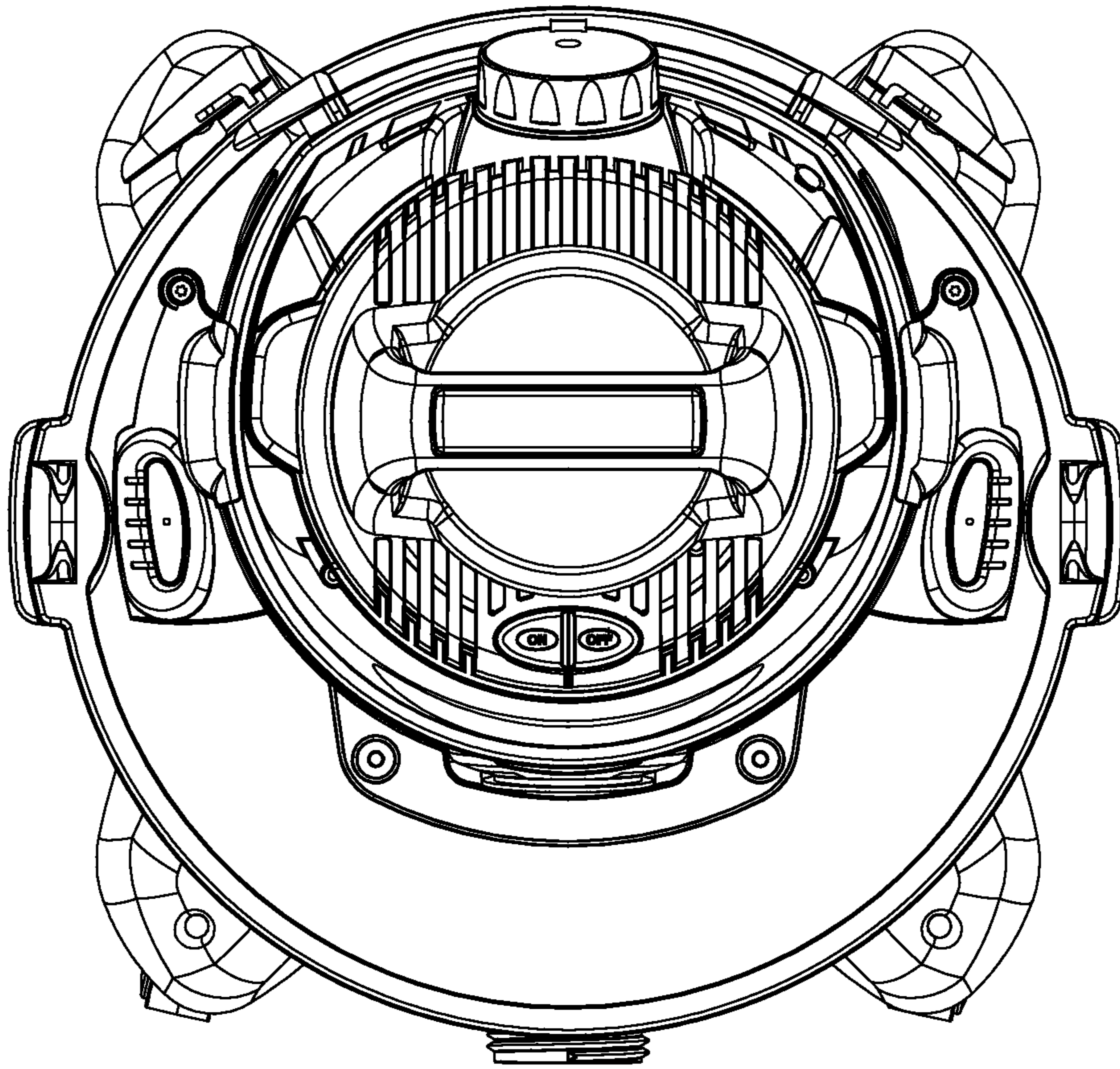


FIG. 4

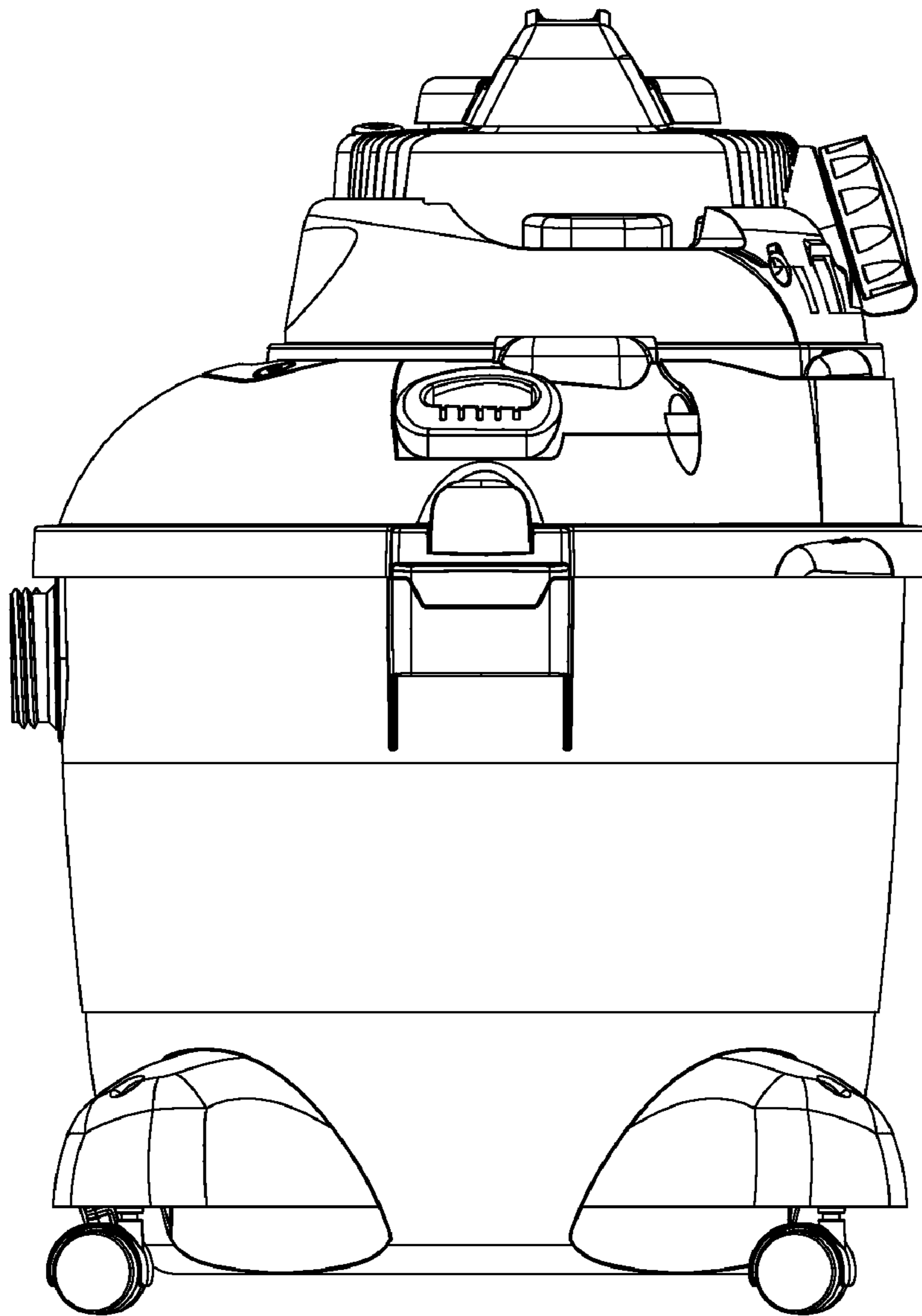


FIG. 5

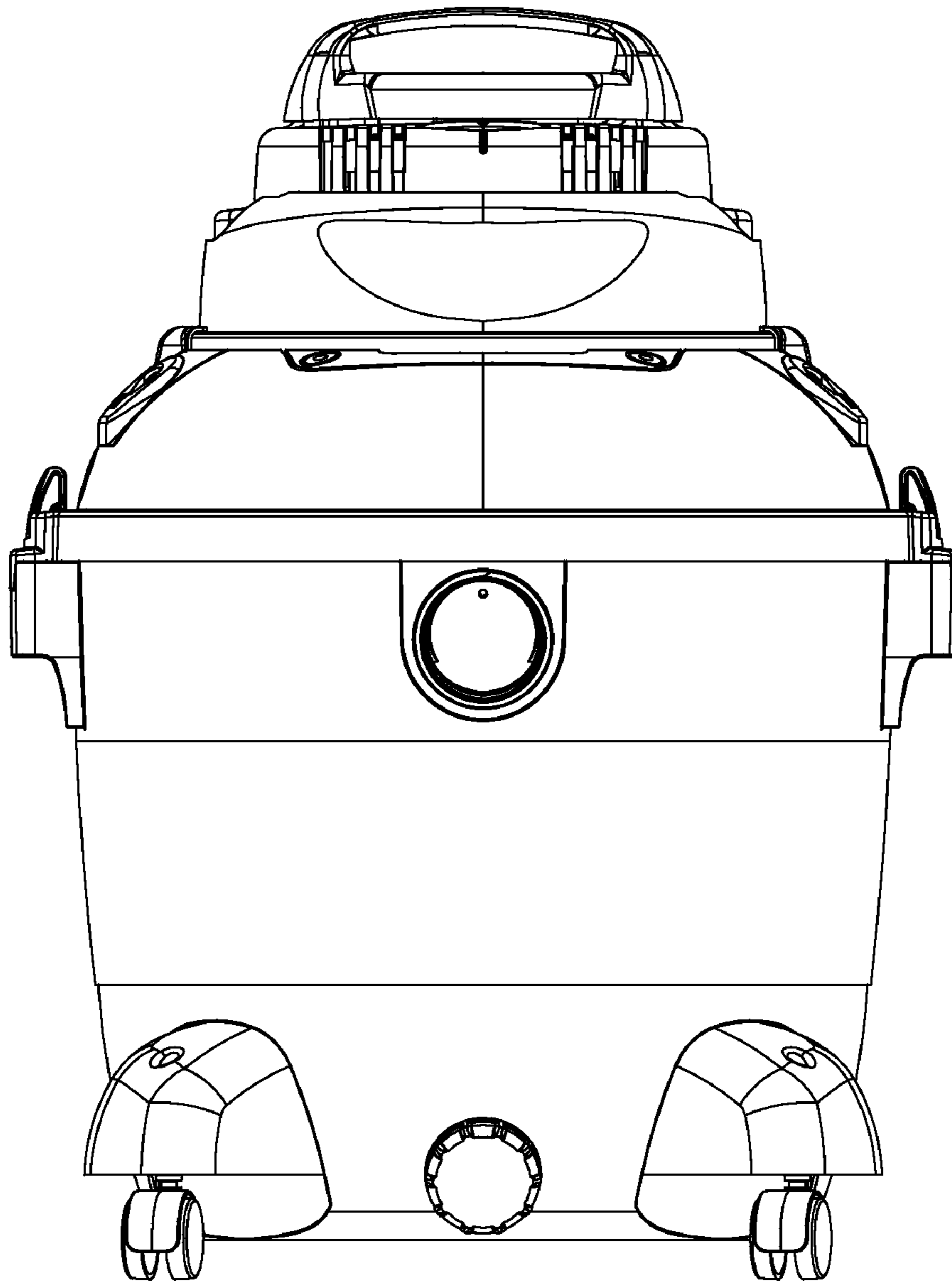


FIG. 6