



US00D633667S

(12) **United States Design Patent**  
**Santiago**

(10) **Patent No.:** **US D633,667 S**  
(45) **Date of Patent:** **\*\* Mar. 1, 2011**

(54) **CARPET CLEANING MACHINE**

(75) Inventor: **Jose Carlito Santiago**, Grand Rapids, MI (US)

(73) Assignee: **BISSELL Homecare, Inc.**, Grand Rapids, MI (US)

(\*\*) Term: **14 Years**

(21) Appl. No.: **29/353,272**

(22) Filed: **Jan. 6, 2010**

(51) **LOC (9) Cl.** ..... **15-05**

(52) **U.S. Cl.** ..... **D32/22**

(58) **Field of Classification Search** ..... D32/22,  
D32/31, 15, 16, 34; 15/320, 329, 340.2,  
15/335, 347, 350, 352, 353, 344, 361, 363,  
15/410, 415.1

See application file for complete search history.

(56) **References Cited**

**U.S. PATENT DOCUMENTS**

D346,679	S	*	5/1994	Bradd et al.	.....	D32/22
D364,947	S	*	12/1995	Kent et al.	.....	D32/22
5,513,415	A	*	5/1996	Kent et al.	.....	15/320
5,640,738	A	*	6/1997	Williams et al.	.....	15/320
5,655,254	A	*	8/1997	Bores et al.	.....	15/320
D405,567	S	*	2/1999	Kent et al.	.....	D32/22
D420,473	S	*	2/2000	Shero	.....	D32/16

D496,763	S	*	9/2004	Chen	.....	D32/16
D517,260	S	*	3/2006	Moine et al.	.....	D32/22
D525,000	S	*	7/2006	Williams et al.	.....	D32/15
D536,848	S	*	2/2007	Shin	.....	D32/22
7,624,474	B1	*	12/2009	Cho	.....	15/320
2006/0185113	A1	*	8/2006	Kloeppel et al.	.....	15/320
2008/0216279	A1	*	9/2008	Jeff et al.	.....	15/320

\* cited by examiner

*Primary Examiner*—Ruth McInroy

(74) *Attorney, Agent, or Firm*—McGarry Bair PC

(57) **CLAIM**

The ornamental design for a carpet cleaning machine, as shown and described.

**DESCRIPTION**

FIG. 1 is a front perspective view of a carpet cleaning machine which embodies my design;

FIG. 2 is a front view thereof;

FIG. 3 is a rear view thereof;

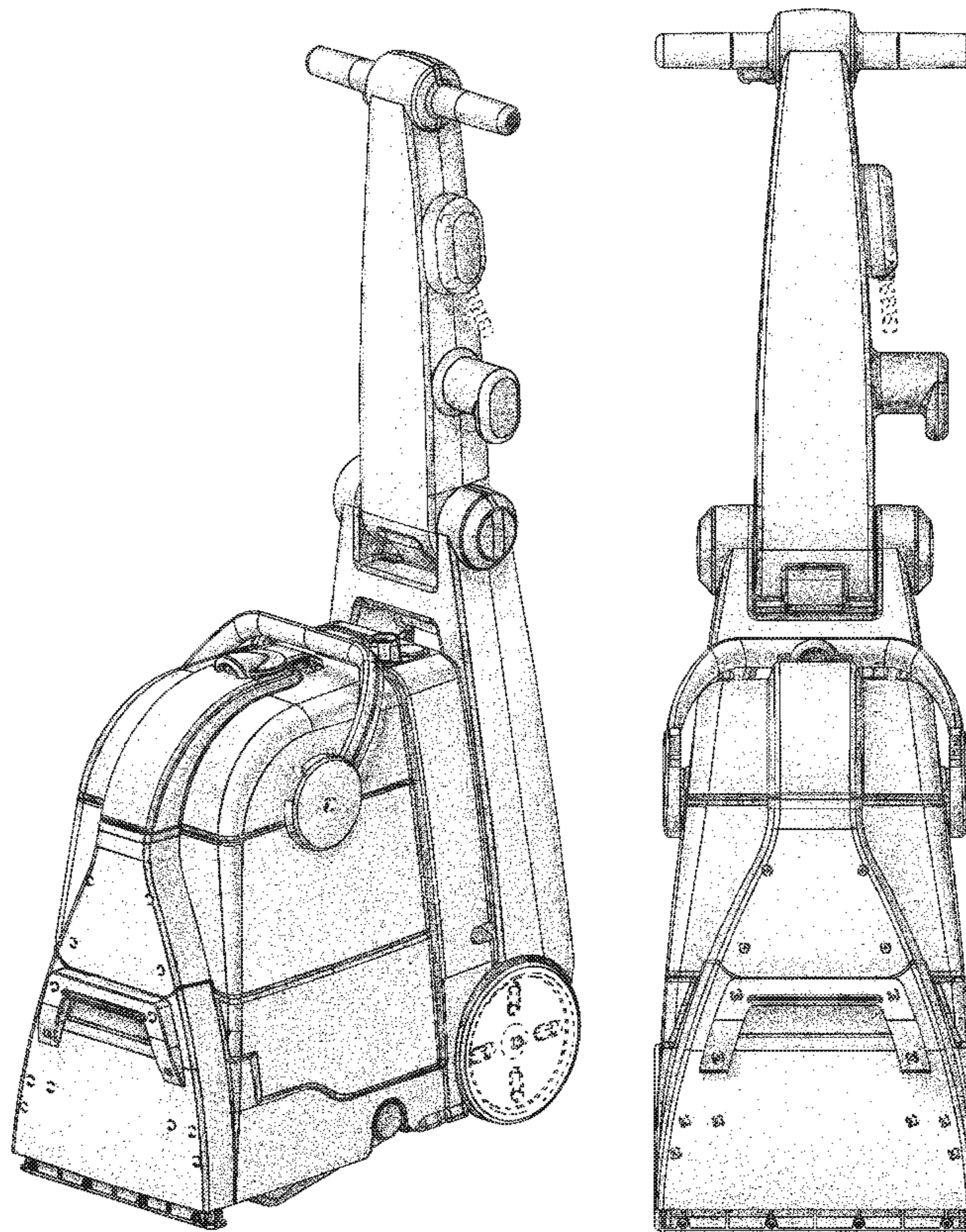
FIG. 4 is a left side view thereof;

FIG. 5 is a right side view thereof; and,

FIG. 6 is a top side view thereof.

The details shown in broken lines form no part of the claimed design.

**1 Claim, 5 Drawing Sheets**



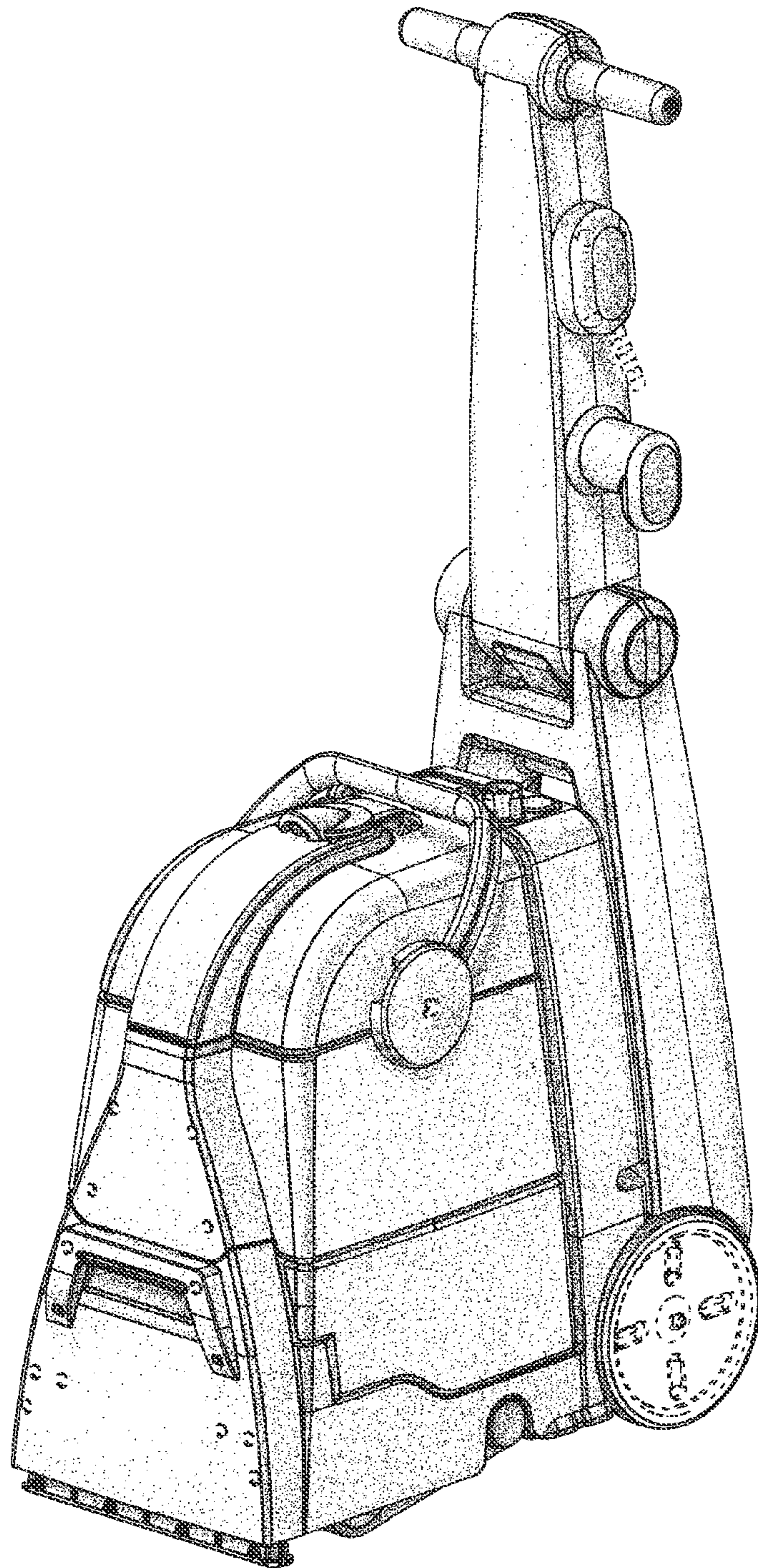


Fig. 1

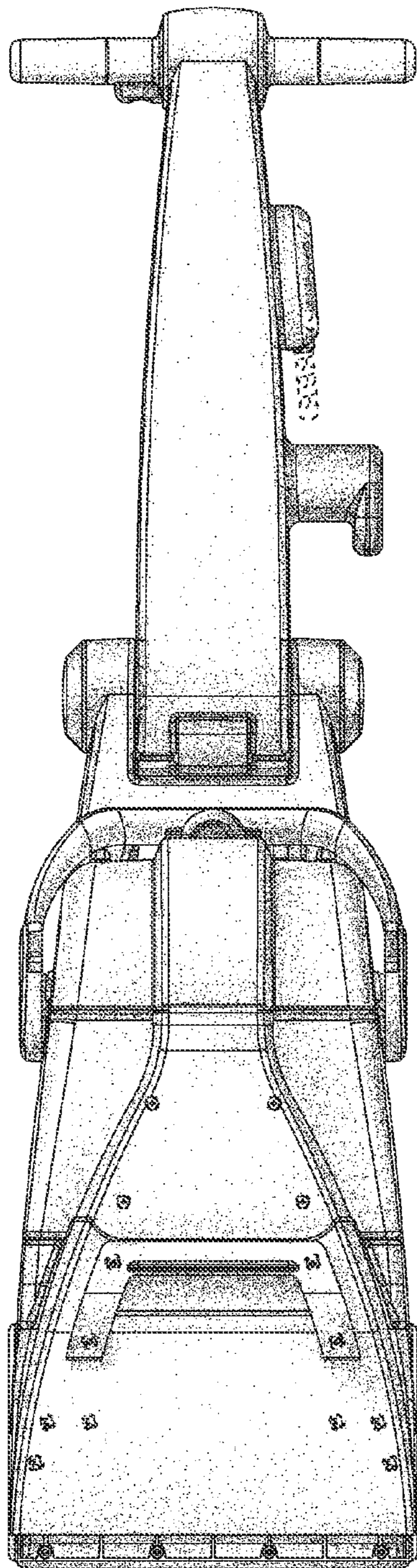


Fig. 2

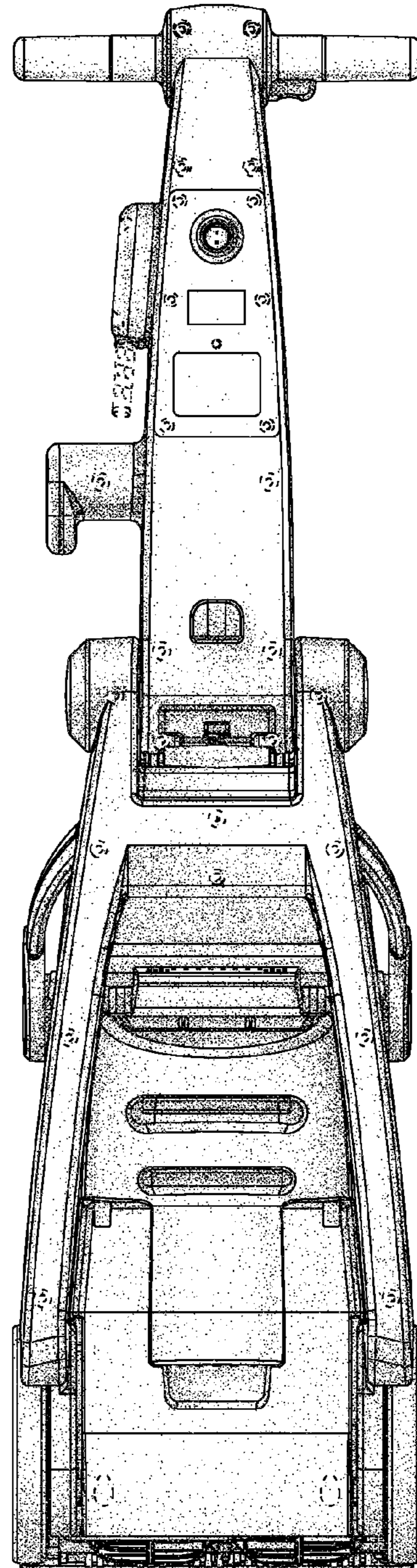


Fig. 3

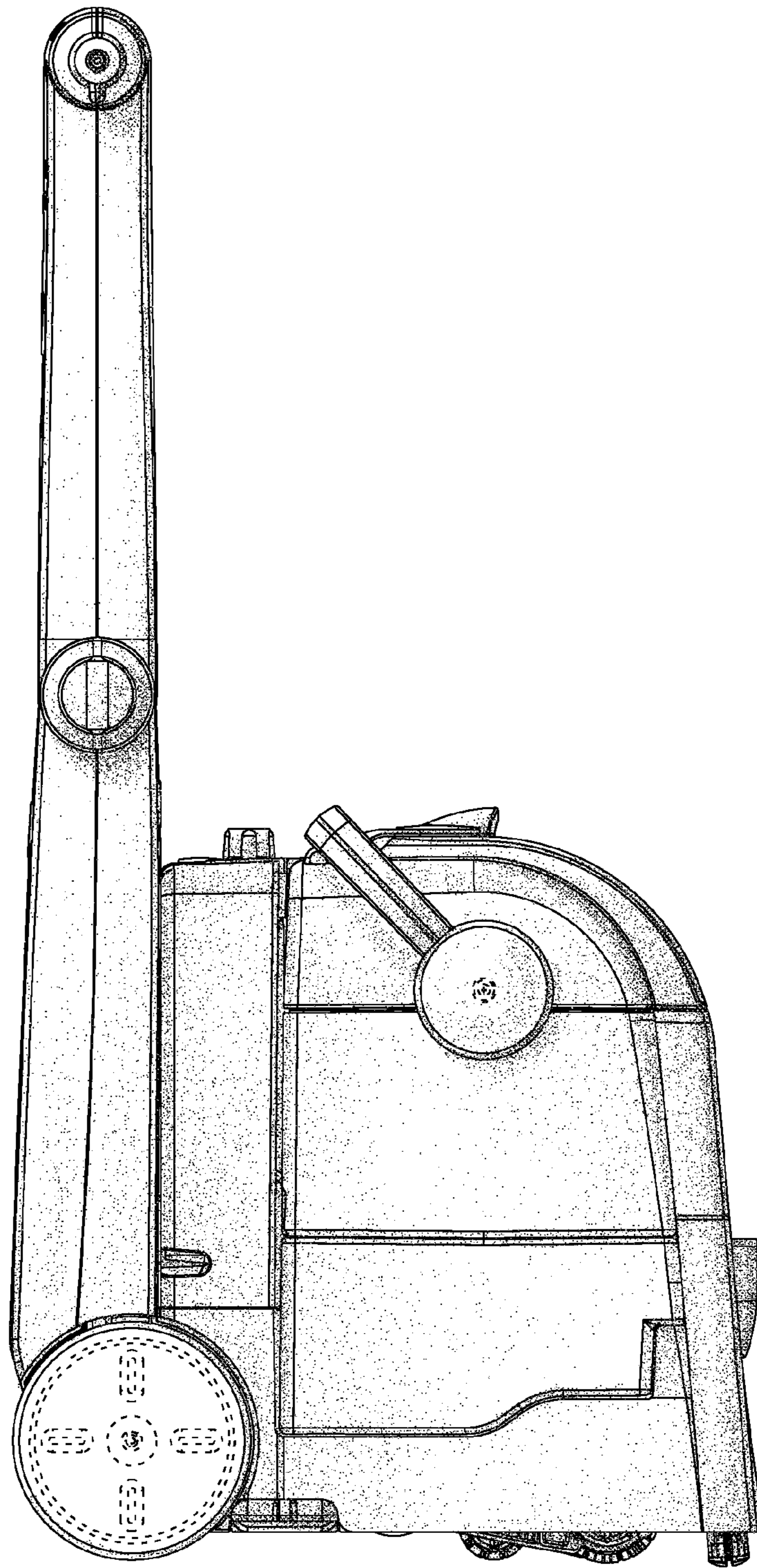


Fig. 4

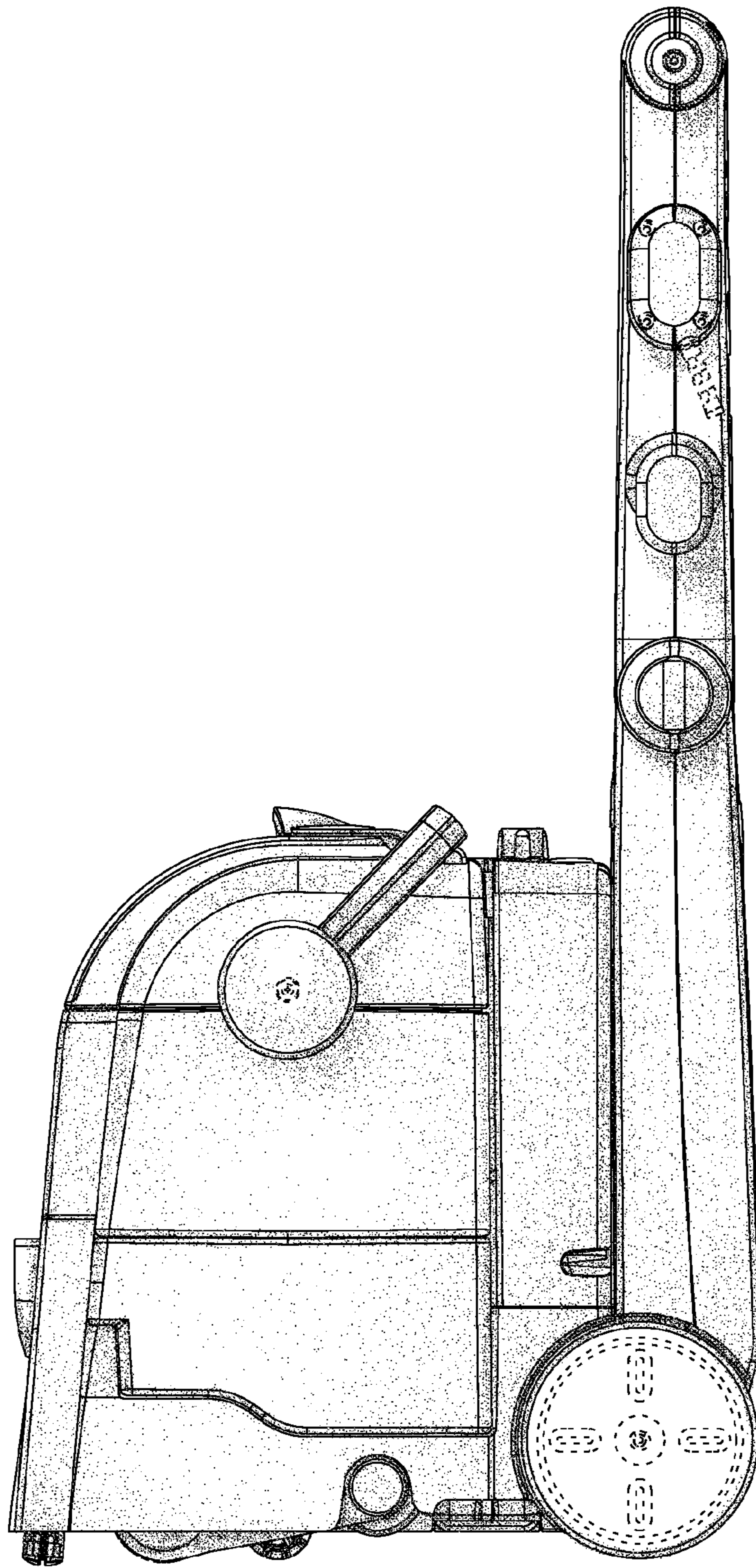


Fig. 5

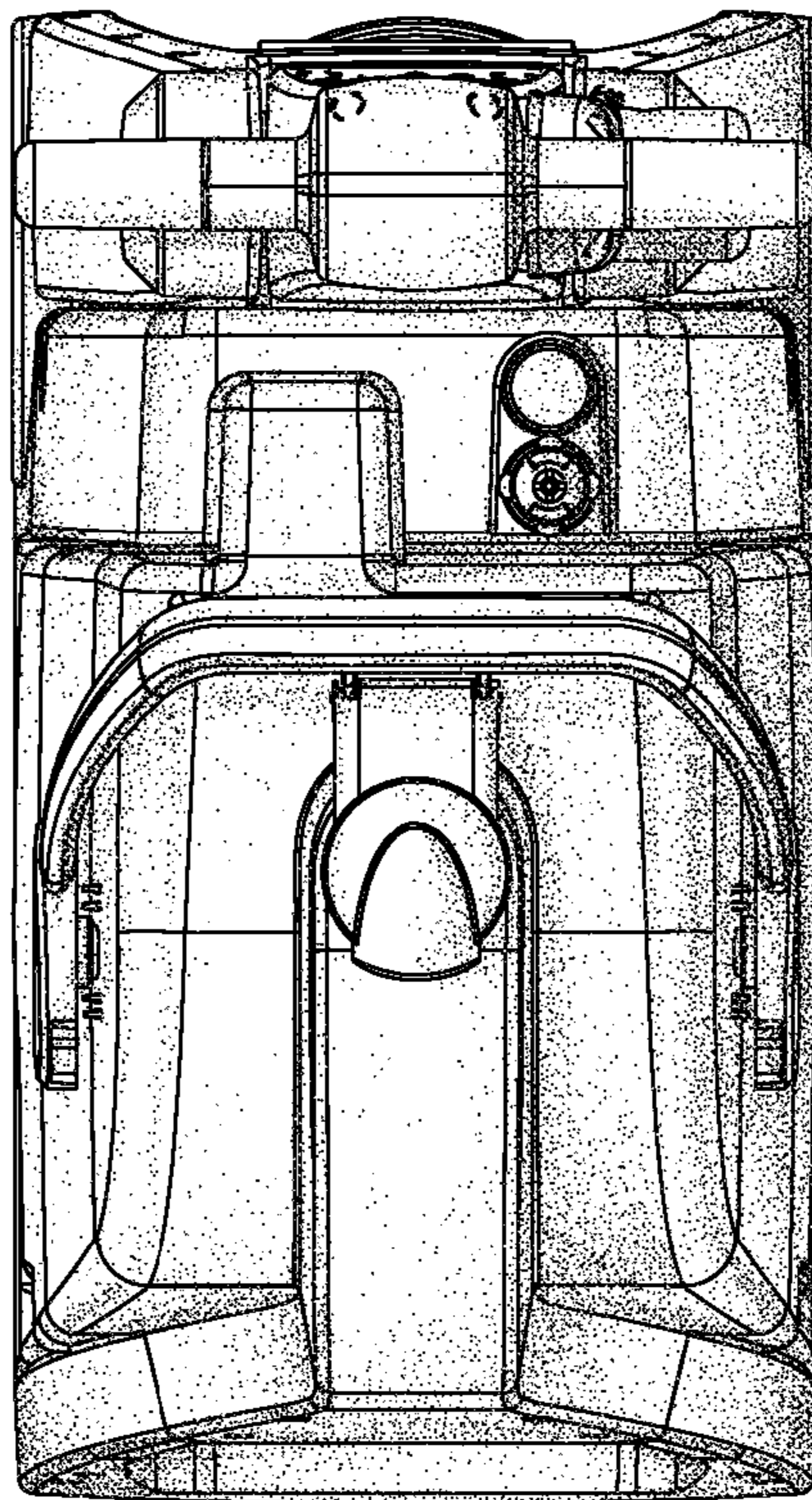


Fig. 6