



US00D633666S

(12) **United States Design Patent**
Wai

(10) **Patent No.:** **US D633,666 S**
(45) **Date of Patent:** **** *Mar. 1, 2011**

(54) **UPRIGHT VACUUM CLEANER**

2010/0083458 A1* 4/2010 Sepke et al. 15/347

(76) Inventor: **Lau Ying Wai**, Kowloon Bay (HK)

FOREIGN PATENT DOCUMENTS

(*) Notice: This patent is subject to a terminal disclaimer.

CN	1636496	12/2003
CN	1626025	8/2008
JP	2003250729	12/2004
JP	2007167451	7/2007
WO	WO2007084543	7/2007

(**) Term: **14 Years**

* cited by examiner

(21) Appl. No.: **29/337,123**

Primary Examiner—Ruth McInroy

(22) Filed: **May 15, 2009**

(74) *Attorney, Agent, or Firm*—Roy Kiesel Ford Doody & Thurmon

(51) **LOC (9) Cl.** **15-05**

(52) **U.S. Cl.** **D32/22**

(58) **Field of Classification Search** D32/22,
D32/31, 15, 16, 34; 15/320, 329, 340.2,
15/335, 347, 350, 352, 353, 344, 361, 363,
15/410, 415.1

(57) **CLAIM**

See application file for complete search history.

I claim the ornamental design for an upright vacuum cleaner, as shown and described.

DESCRIPTION

(56) **References Cited**

FIG. 1 is a left side view of an upright vacuum cleaner showing my new design;

U.S. PATENT DOCUMENTS

FIG. 2 is a front view thereof;

4,682,384	A	7/1987	Prahl et al.	
D531,770	S	* 11/2006	Luebbering et al. D32/22
D556,401	S	* 11/2007	Lee D32/22
D612,114	S	* 3/2010	Ikeno D32/22
2006/0090290	A1	5/2006	Lau	
2006/0150363	A1*	7/2006	Choi 15/320
2007/0163072	A1*	7/2007	Sepke et al. 15/347
2007/0271724	A1	11/2007	Hakan et al.	
2009/0151113	A1*	6/2009	Sepke 15/347

FIG. 3 is a rear view thereof;

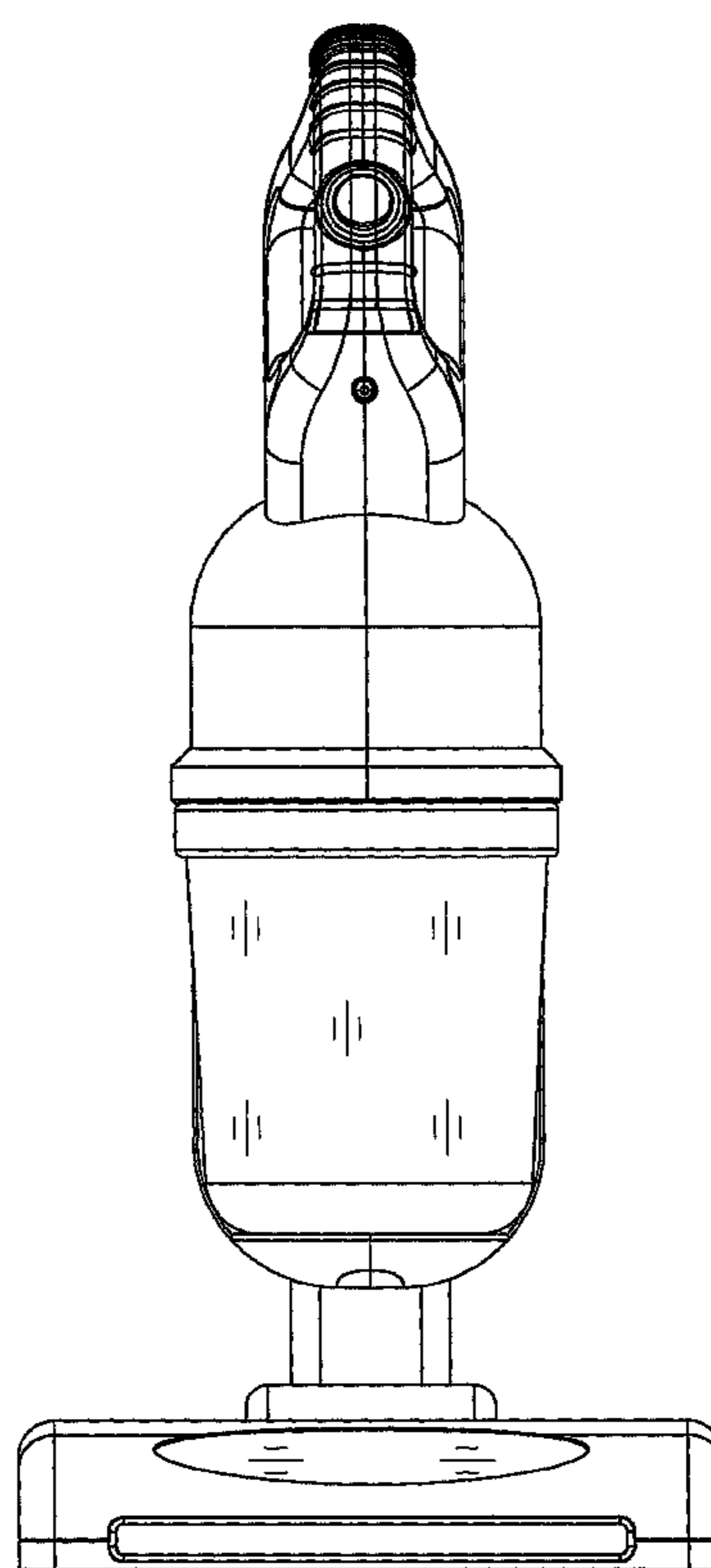
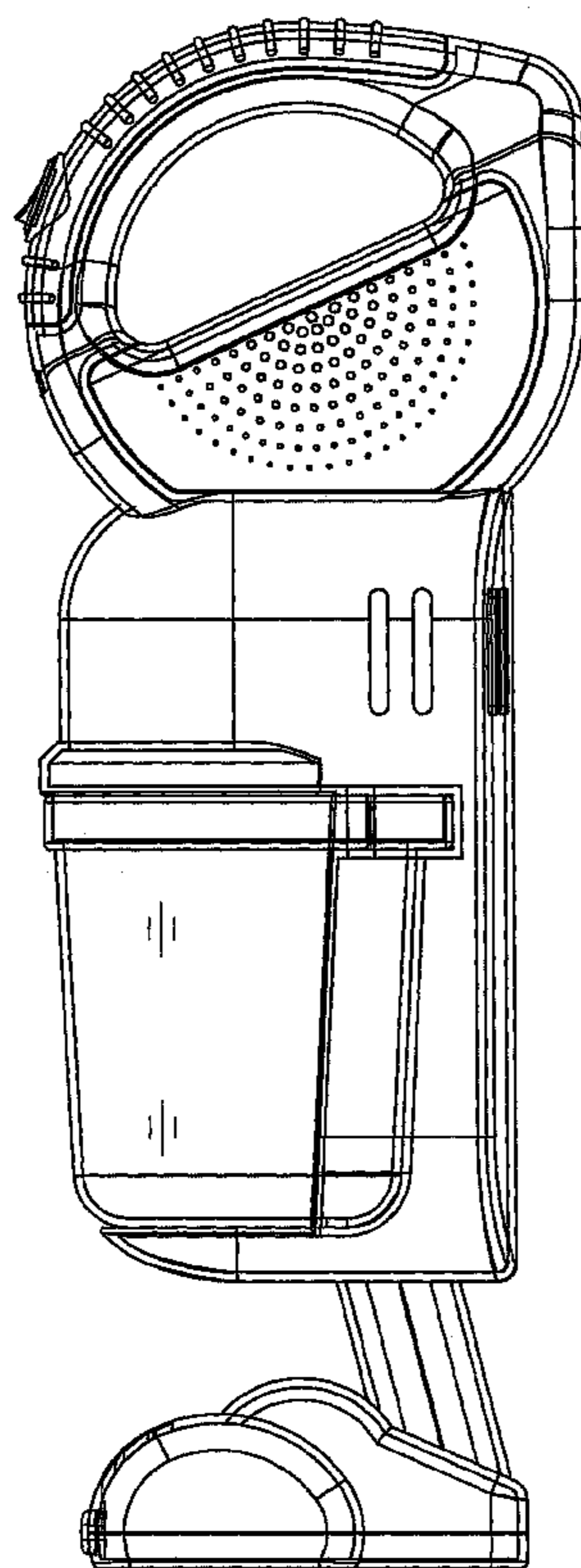
FIG. 4 is a bottom view thereof;

FIG. 5 is a top view thereof;

FIG. 6 is a right view thereof; and,

FIG. 7 is a perspective view thereof.

1 Claim, 7 Drawing Sheets



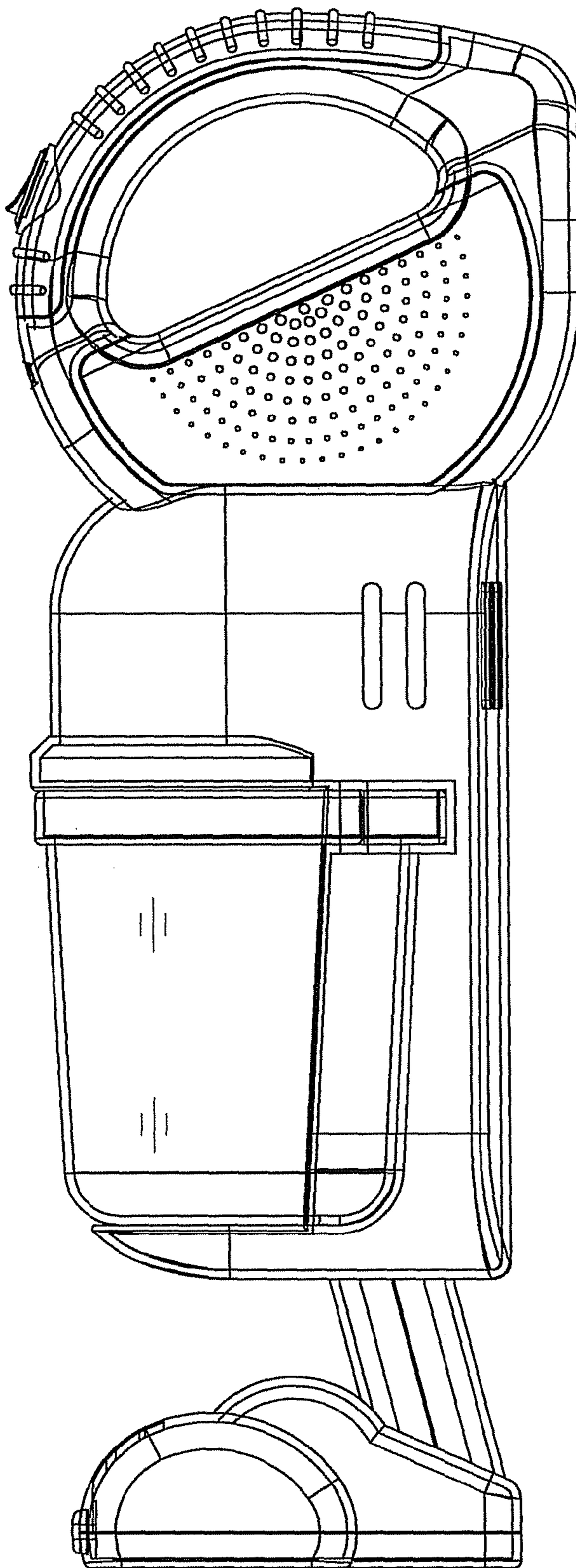


FIG. 1

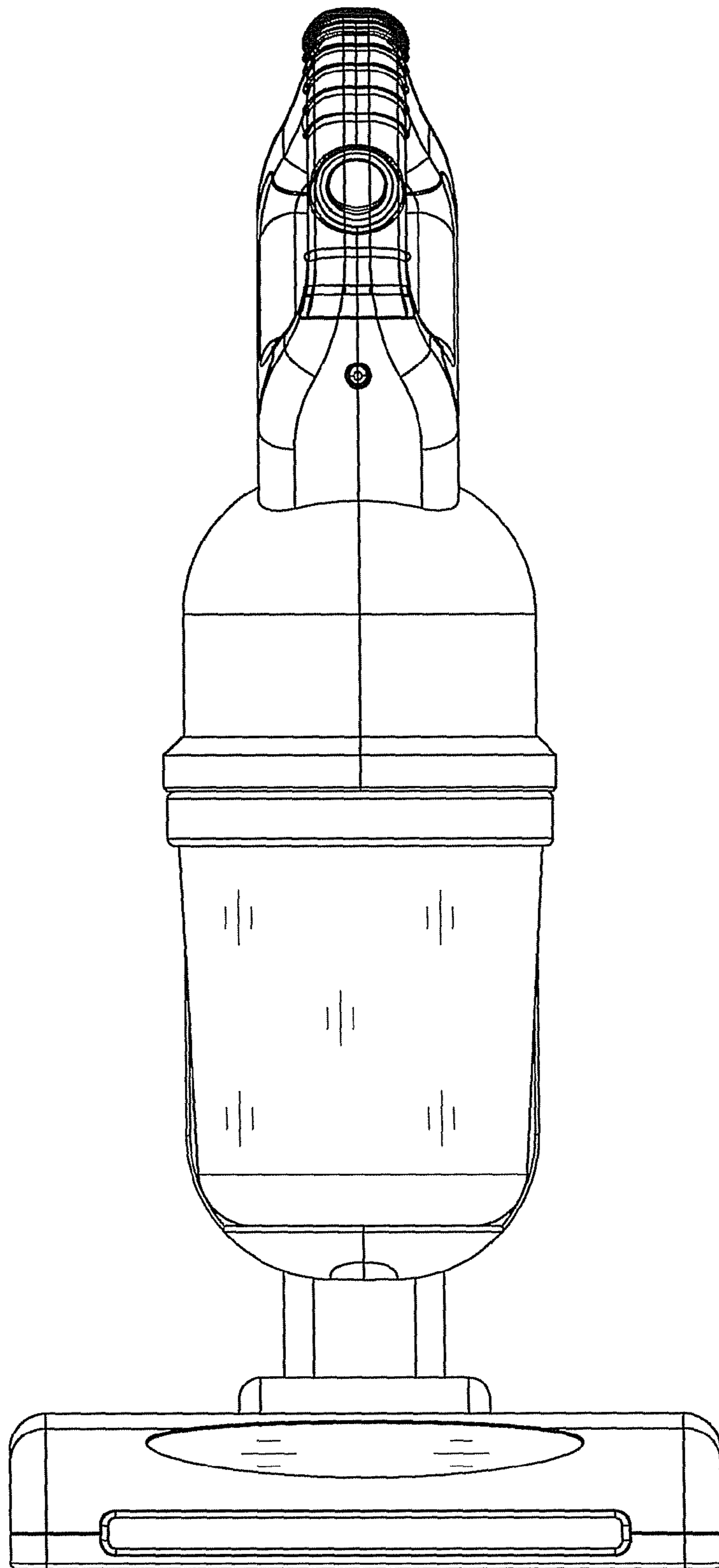


FIG.2

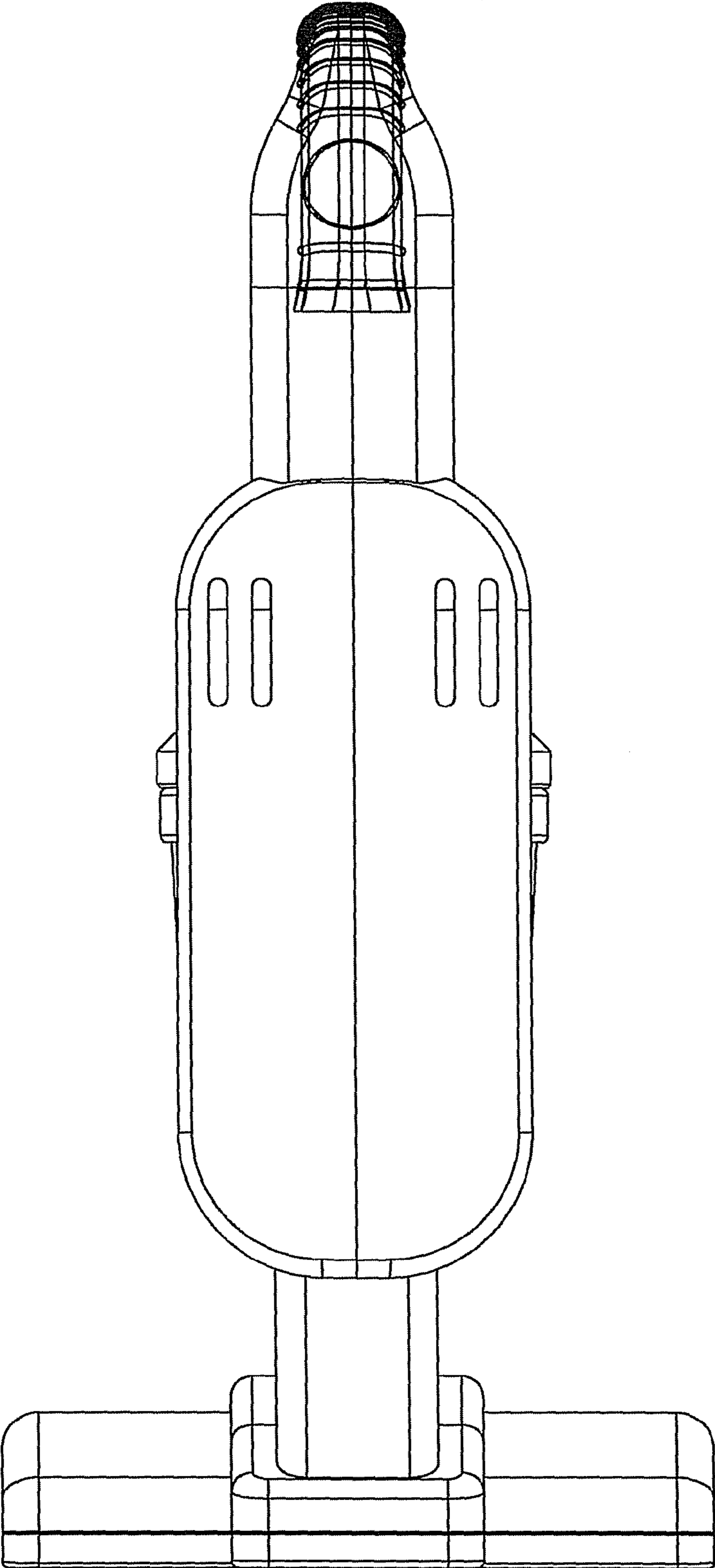


FIG.3

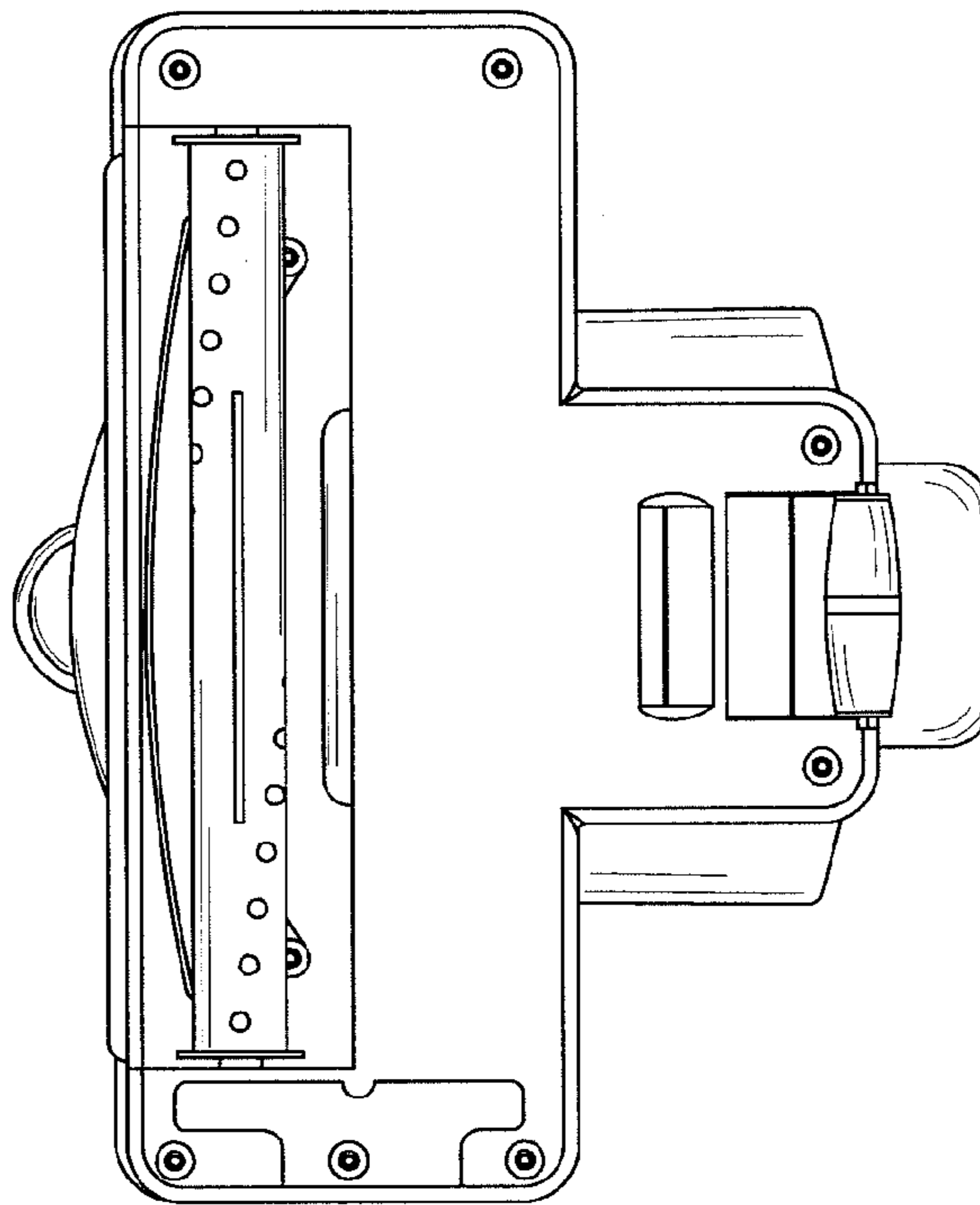


Fig. 4

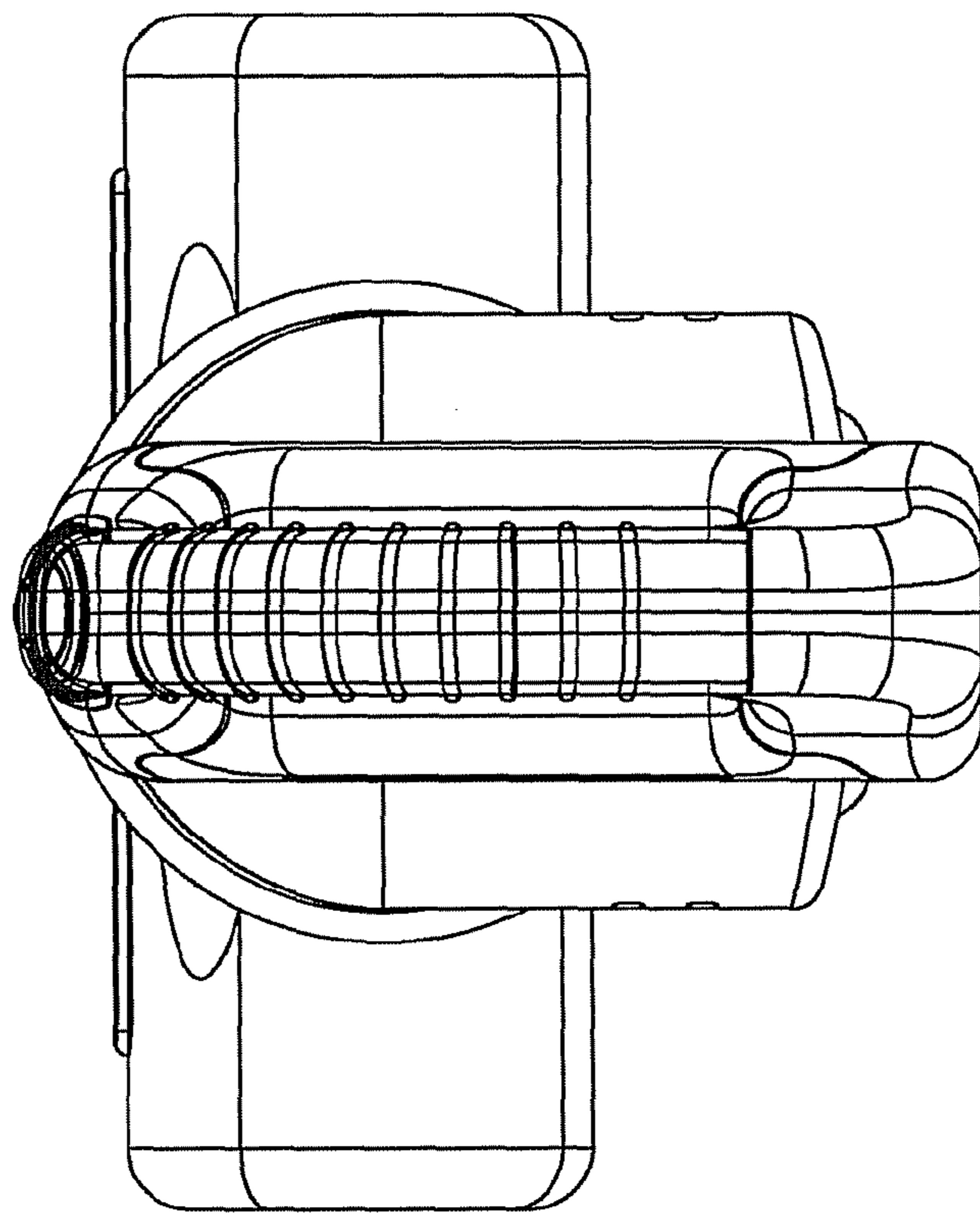


FIG. 5

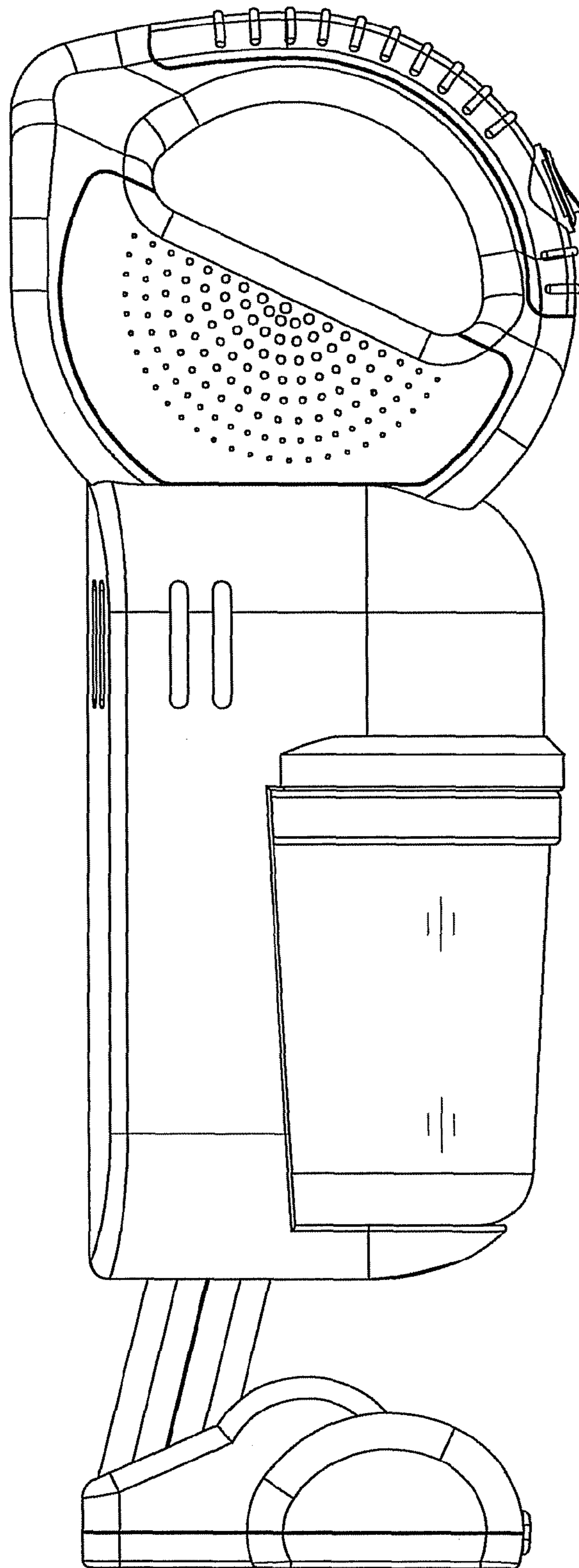


FIG. 6

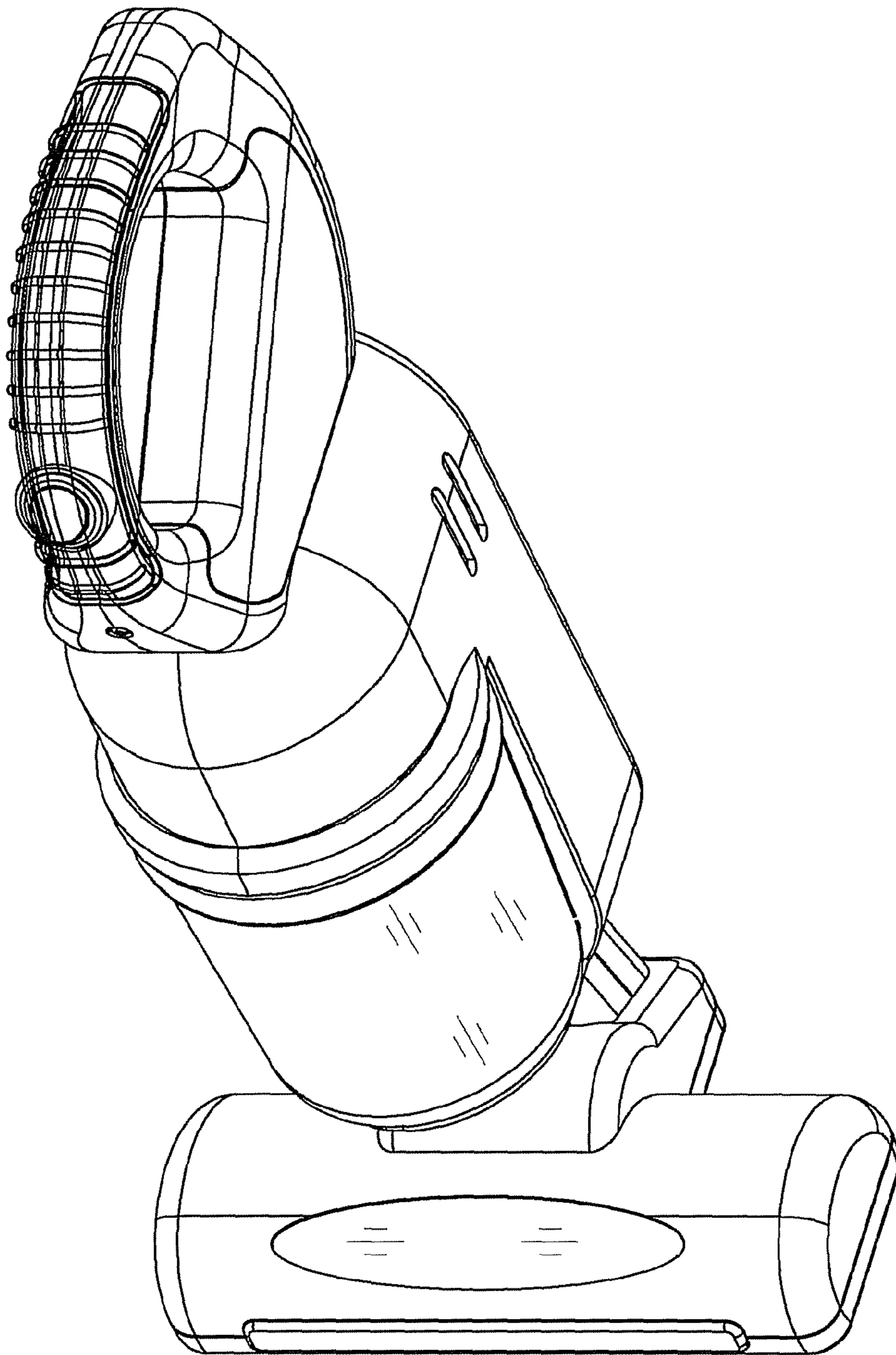


FIG. 7