



US00D633665S

(12) **United States Design Patent**
Dammkoehler

(10) **Patent No.:** **US D633,665 S**

(45) **Date of Patent:** **** Mar. 1, 2011**

(54) **VACUUM CLEANER**

(75) Inventor: **Denis Dammkoehler**, Backnang (DE)

(73) Assignee: **Alfred Kaercher GmbH & Co. KG**, Winnenden (DE)

(**) Term: **14 Years**

(21) Appl. No.: **29/315,921**

(22) Filed: **Aug. 4, 2009**

(30) **Foreign Application Priority Data**

Feb. 5, 2009 (WO) DM/071 547

(51) **LOC (9) Cl.** **15-05**

(52) **U.S. Cl.** **D32/21**

(58) **Field of Classification Search** D32/17-18,
D32/21, 23-24, 31; 15/327, 1, 327.2, 327.4-327.7,
15/344, 353, 320-321, 412

See application file for complete search history.

(56) **References Cited**

U.S. PATENT DOCUMENTS

D318,153 S *	7/1991	Van Asten et al.	D32/21
D551,403 S *	9/2007	Shin	D32/21
D565,813 S *	4/2008	Shin	D32/21
D568,008 S *	4/2008	Grey	D32/21
D581,112 S *	11/2008	Baek	D32/21
D582,110 S *	12/2008	Baek	D32/21
D598,171 S *	8/2009	Svantesson	D32/34

OTHER PUBLICATIONS

Extract from catalog of Alfred Kaercher GmbH & Co. KG, "Programme 2005", cover, pp. 127, 129-134 and last page (Dec. 2004).

Extract from catalog of Alfred Kaercher GmbH & Co. KG, "Programme 2006", cover, pp. 135, 138-145 and last page (Dec. 2005).

Extract from catalog of Alfred Kaercher GmbH & Co. KG, "Programme 2007", cover, pp. 153, 159-166 and last page (Jan. 2007).

Extract from catalog of Alfred Kaercher GmbH & Co. KG, "Programme 2008", cover, pp. 159, 167-174 and last page (Dec. 2007).

Extract from catalog of Alfred Kaercher GmbH & Co. KG, "Programme 2009", cover, pp. 85, 87, 94-101 and last page (Mar. 2009).

* cited by examiner

Primary Examiner—Ruth McInroy

(74) *Attorney, Agent, or Firm*—Lipsitz & McAllister, LLC

(57) **CLAIM**

The ornamental design for a vacuum cleaner, as shown and described.

DESCRIPTION

FIG. 1 is a top, front and right side perspective view of a vacuum cleaner showing my new design;

FIG. 2 is a top, front and left side perspective view thereof;

FIG. 3 is a front elevational view thereof;

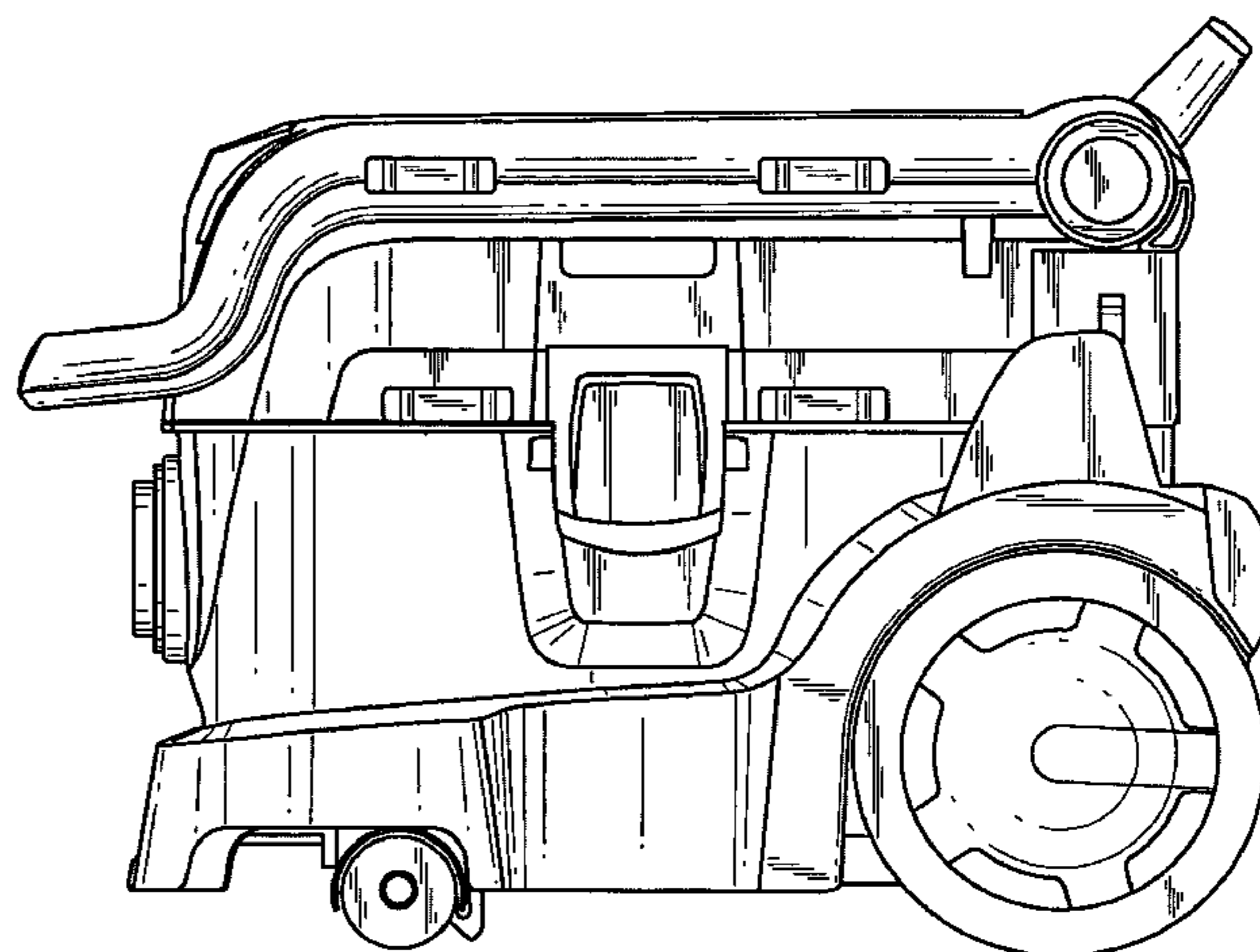
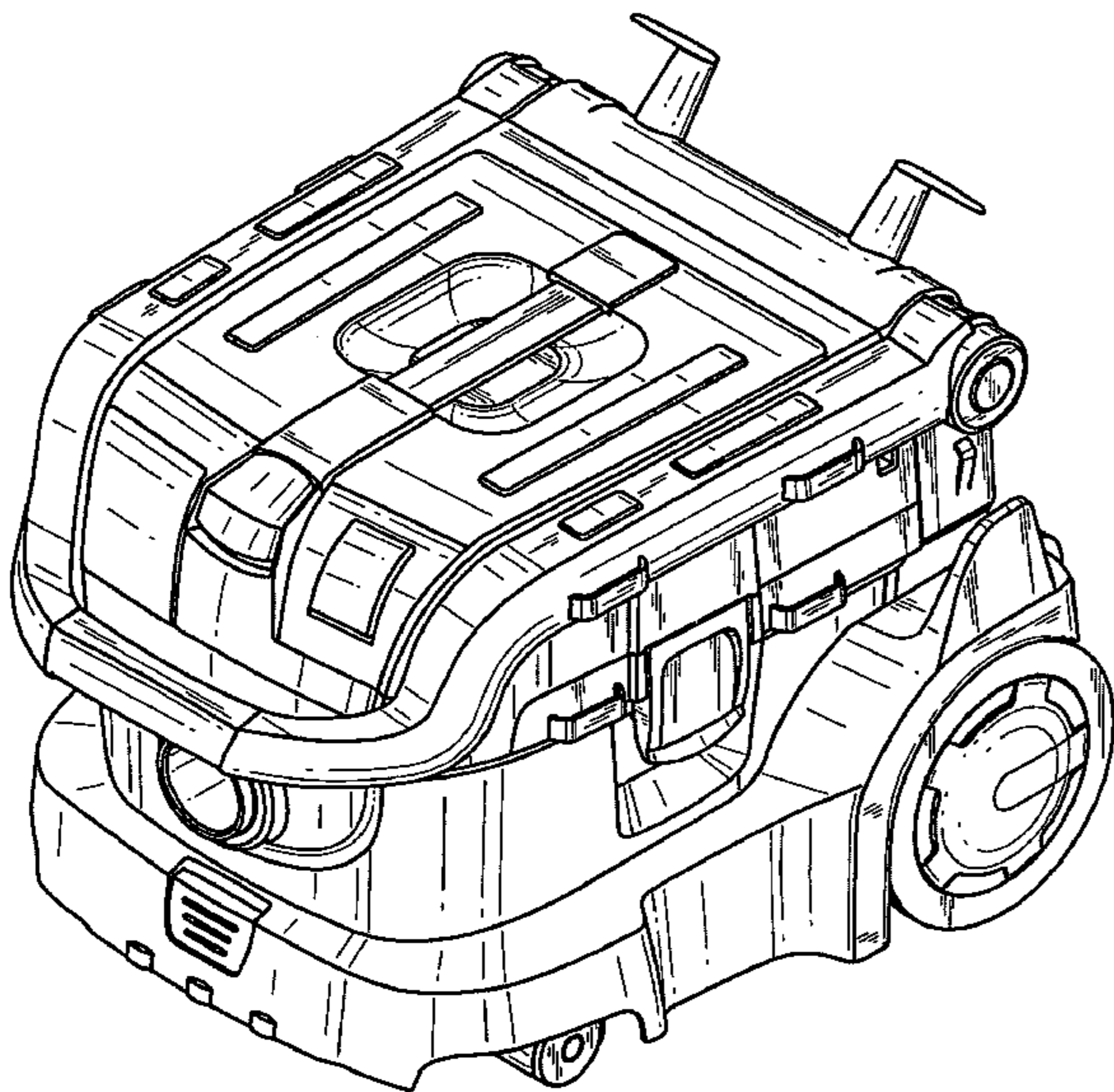
FIG. 4 is a right side elevational view thereof;

FIG. 5 is a rear elevational view thereof;

FIG. 6 is a left side elevational view thereof; and,

FIG. 7 is a top plan view thereof.

1 Claim, 7 Drawing Sheets



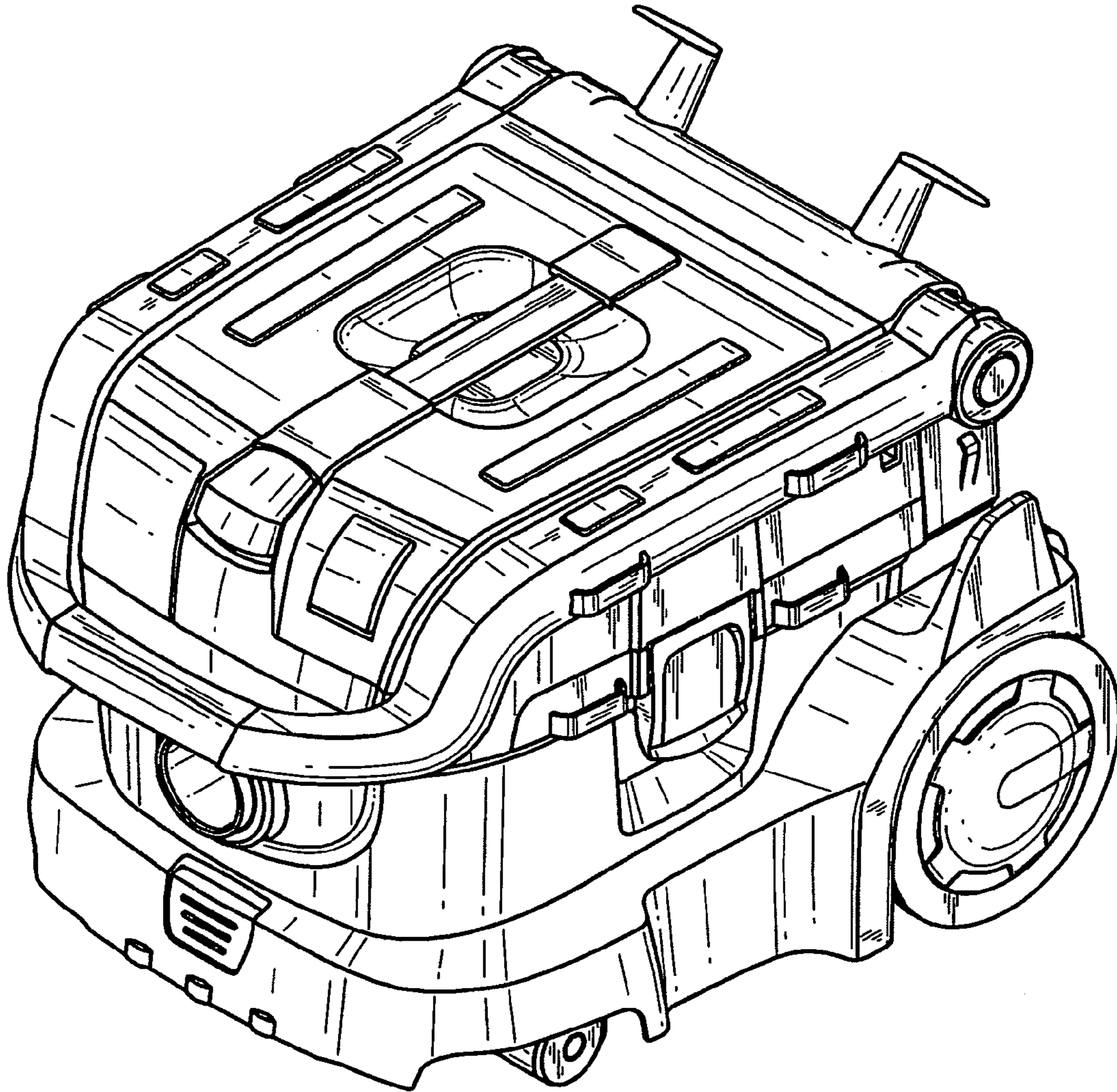


FIG. 1

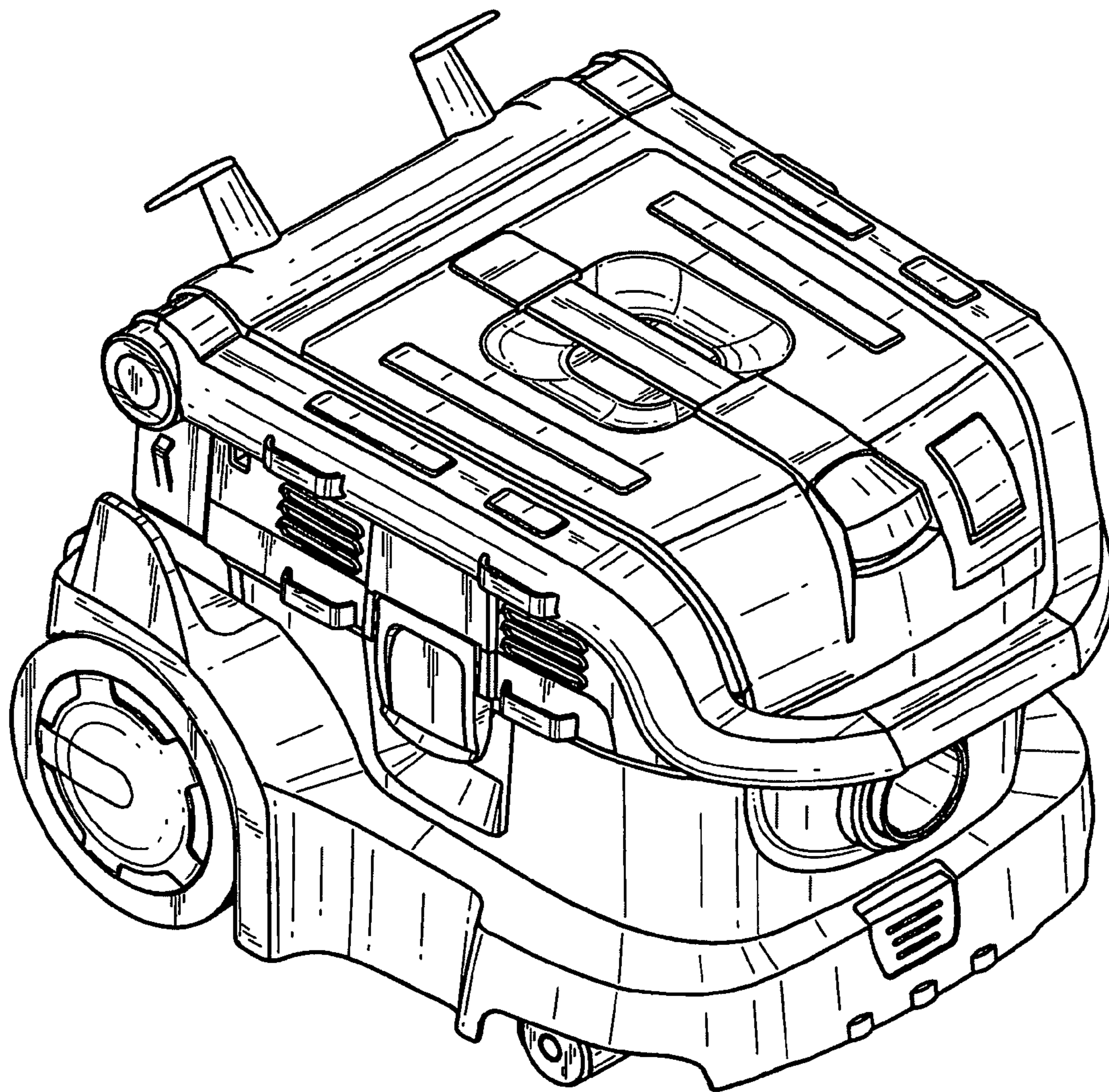


FIG. 2

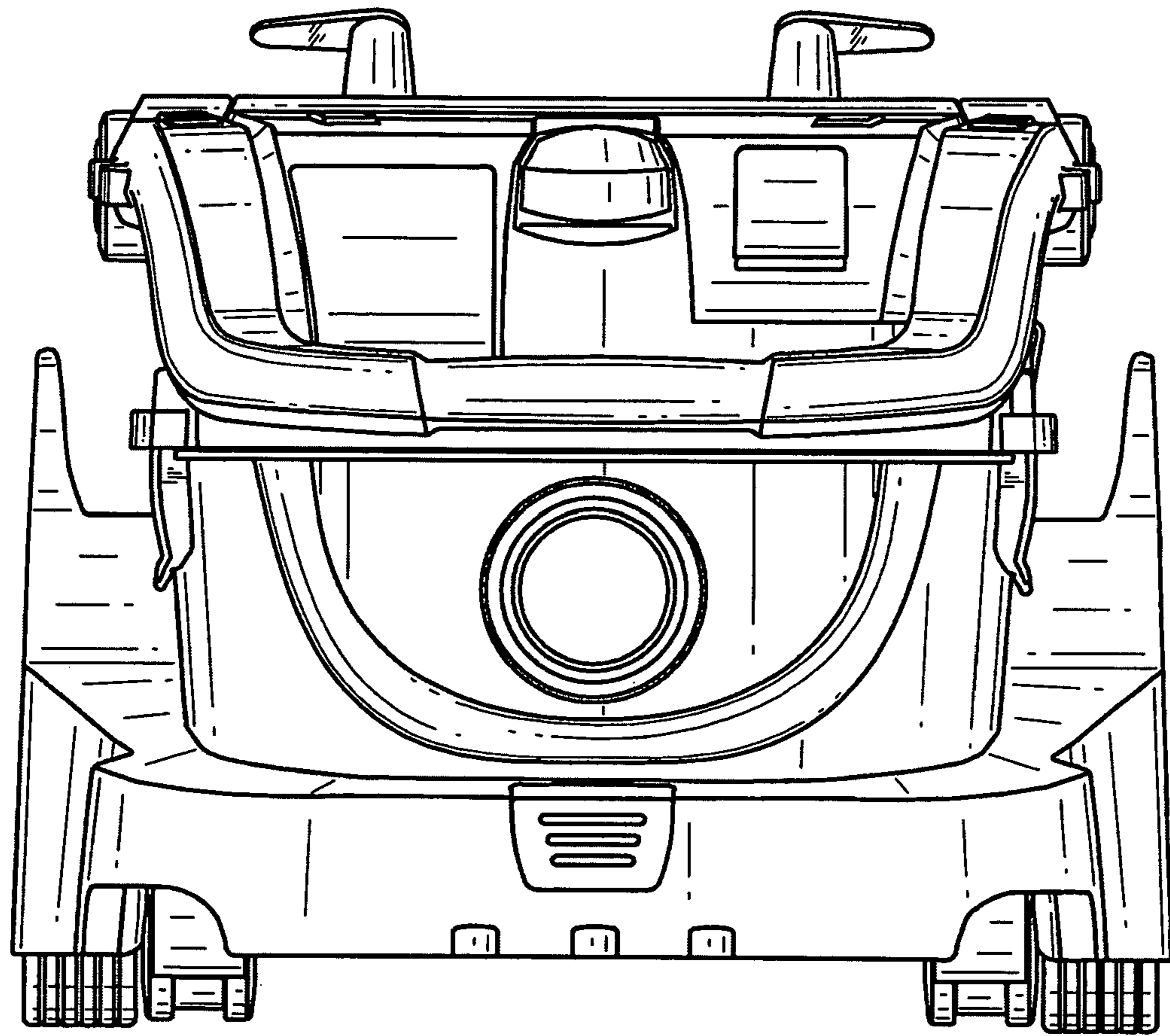


FIG. 3

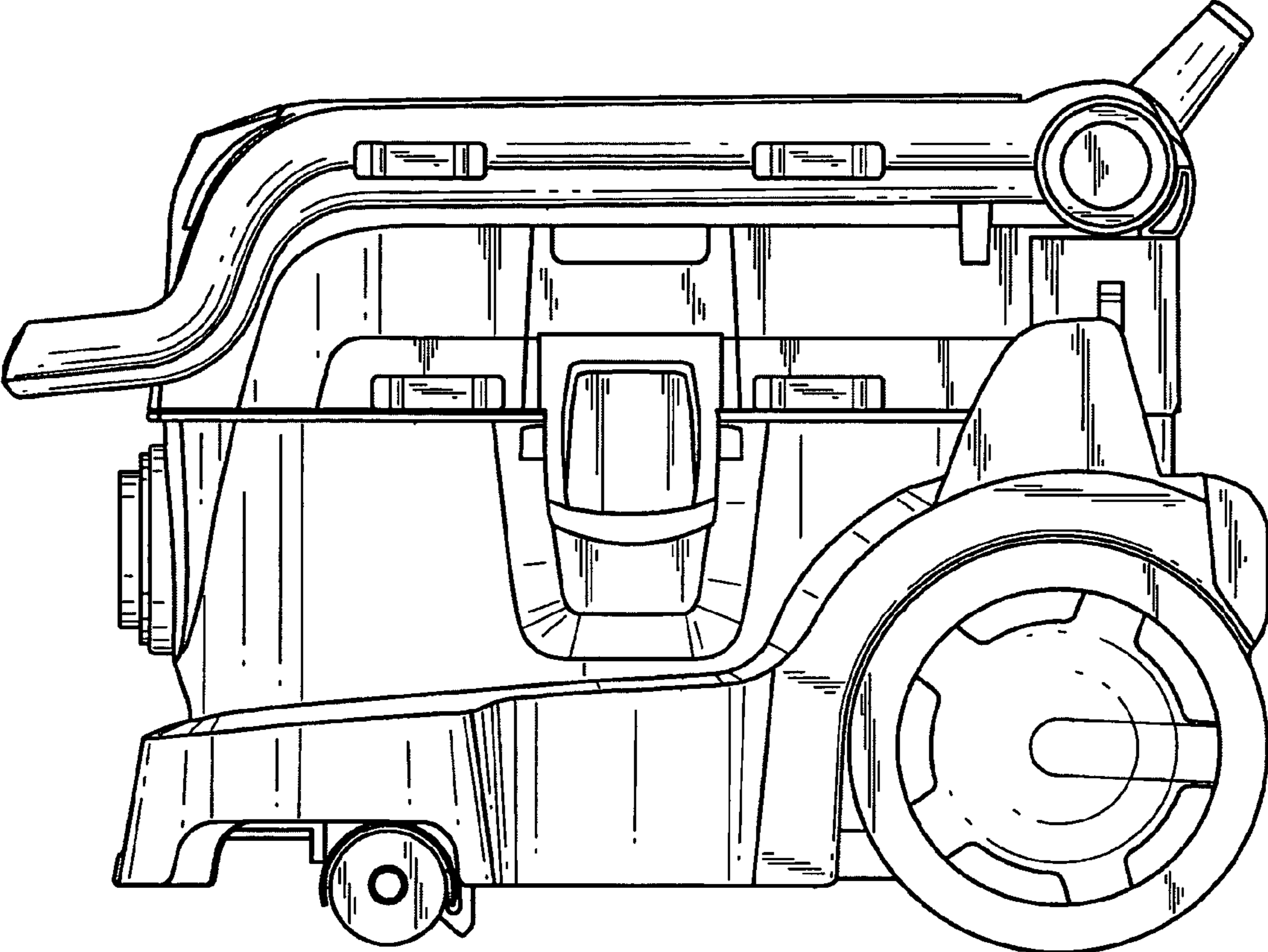


FIG. 4

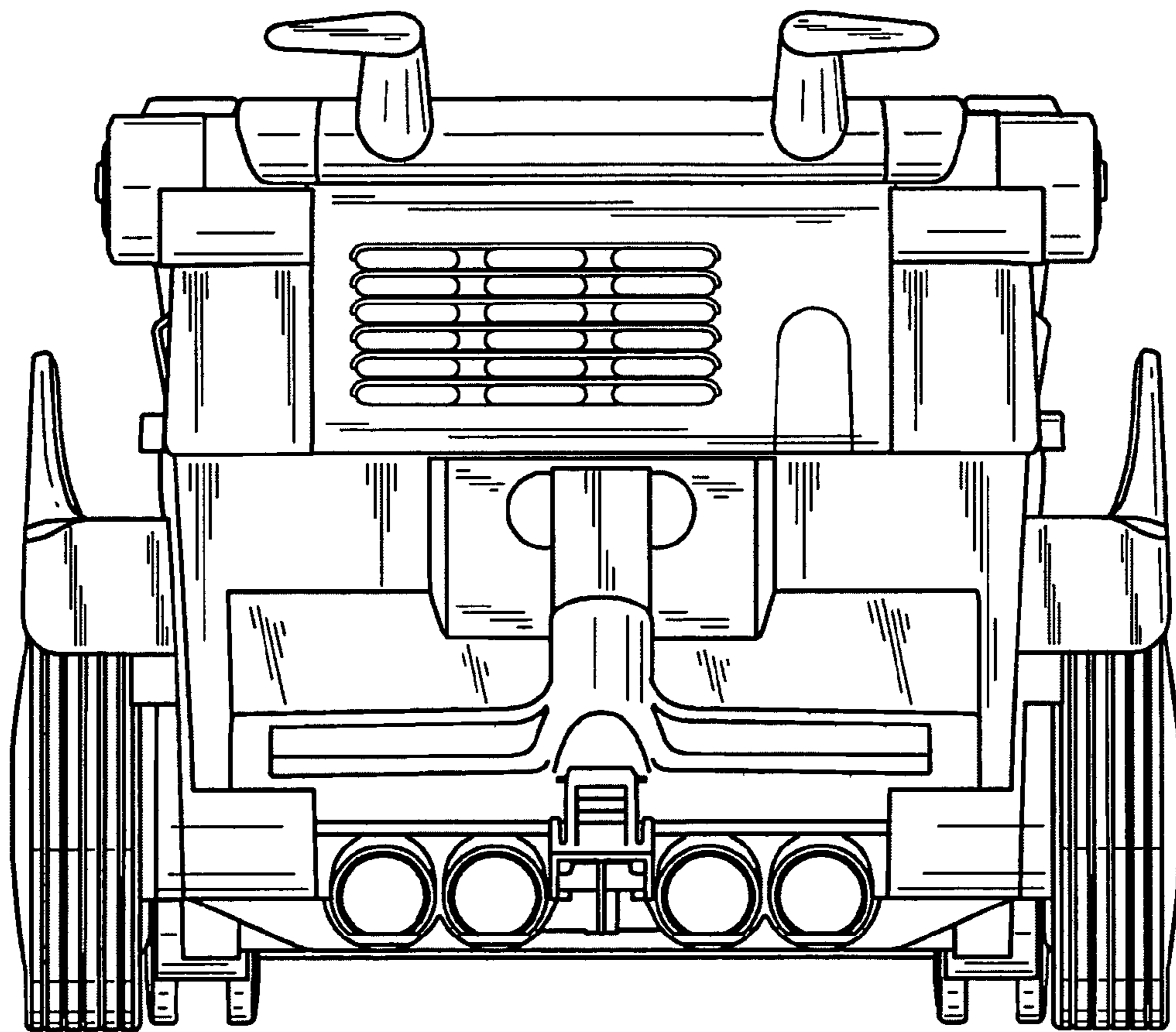


FIG. 5

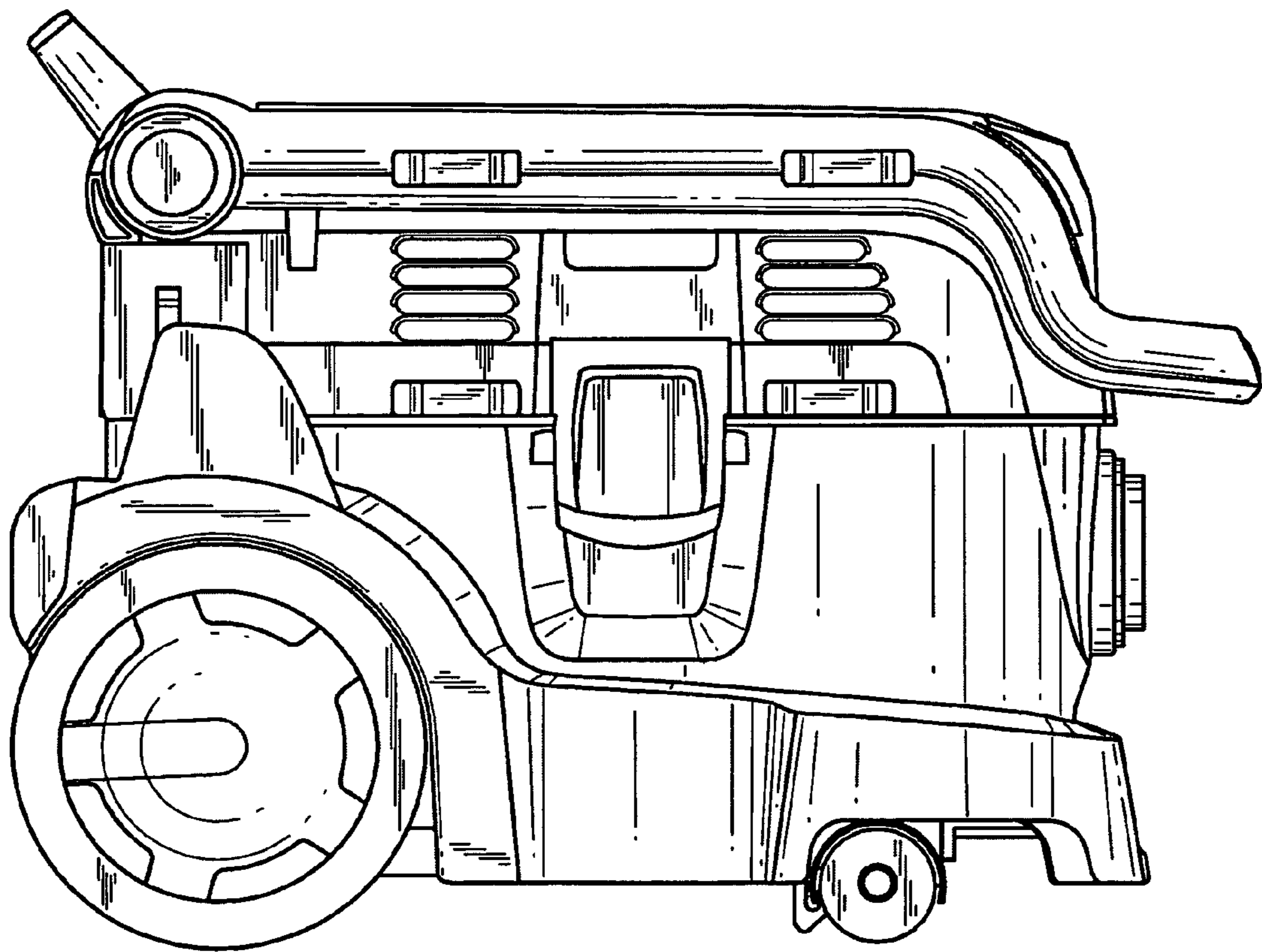


FIG. 6

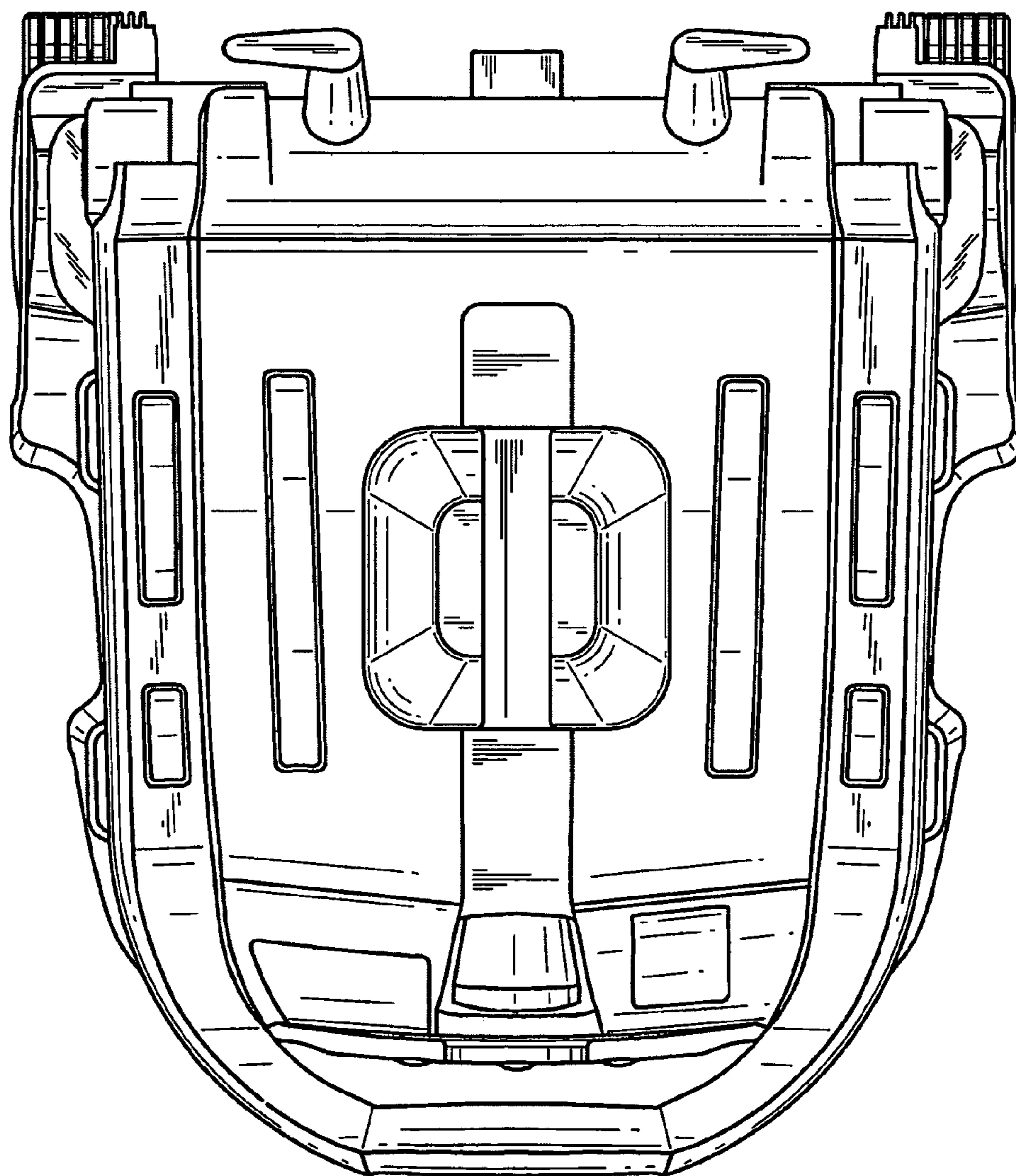


FIG. 7