



US00D633661S

(12) **United States Design Patent**  
**Kellogg et al.**

(10) **Patent No.:** **US D633,661 S**  
(45) **Date of Patent:** **\*\* \*Mar. 1, 2011**

(54) **COMBINED FELINE SWAT TRACK AND SCRATCHER STRUCTURE**

(75) Inventors: **Adam M. Kellogg**, Oconomowoc, WI (US); **Kelly C. Kellogg**, Oconomowoc, WI (US); **Dean B. Krotts**, Hartland, WI (US)

(73) Assignee: **SportPet Designs, Inc.**, Waukesha, WI (US)

(\*) Notice: This patent is subject to a terminal disclaimer.

(\*\*) Term: **14 Years**

(21) Appl. No.: **29/316,970**

(22) Filed: **Nov. 13, 2009**

**Related U.S. Application Data**

(63) Continuation-in-part of application No. 29/313,230, filed on Dec. 18, 2008, now Pat. No. Des. 606,713.

(51) **LOC (9) Cl.** ..... **30-99**

(52) **U.S. Cl.** ..... **D30/160**

(58) **Field of Classification Search** ..... D30/108-119, D30/158, 160, 161, 199; 446/168, 170, 417; 119/28.5, 452-453, 474, 482, 484, 496, 706-708, 119/622, 621

See application file for complete search history.

(56) **References Cited**

**U.S. PATENT DOCUMENTS**

1,707,691 A	4/1929	Sweet	
1,973,536 A	9/1934	Mack	
2,112,316 A *	3/1938	Turner	446/219
2,709,318 A	5/1955	Benjamin	
D175,292 S	8/1955	Austgen	
D206,579 S	1/1967	Sherwood	
3,742,908 A	7/1973	Merino	
D228,537 S	10/1973	Jennings	
D235,270 S	6/1975	Borak	
D245,190 S	7/1977	Higo	

4,177,761 A	12/1979	Bellocchi, Jr.	
4,177,763 A	12/1979	Cook	
D257,293 S	10/1980	Michalski	
4,253,423 A	3/1981	Kaplan	
D261,186 S	10/1981	Michalski	
4,497,279 A	2/1985	Bell	
4,517,922 A	5/1985	Lind	
4,576,116 A	3/1986	Binkert	
4,611,556 A	9/1986	Frank	
4,722,299 A *	2/1988	Mohr	119/707
D295,088 S	4/1988	O'Rourke	
D298,577 S	11/1988	Faxon	
4,790,265 A	12/1988	Manson	
4,969,417 A *	11/1990	Sakano	119/421
D315,186 S	3/1991	Peterson	

(Continued)

*Primary Examiner*—Robert M Spear

*Assistant Examiner*—Rashida C McCoy

(74) *Attorney, Agent, or Firm*—Ryan Kromholz & Manion, S.C.

(57) **CLAIM**

The ornamental design for a combined feline swat track and scratcher structure, as shown and described.

**DESCRIPTION**

FIG. 1 is a perspective view of the combined feline swat track and scratcher structure;

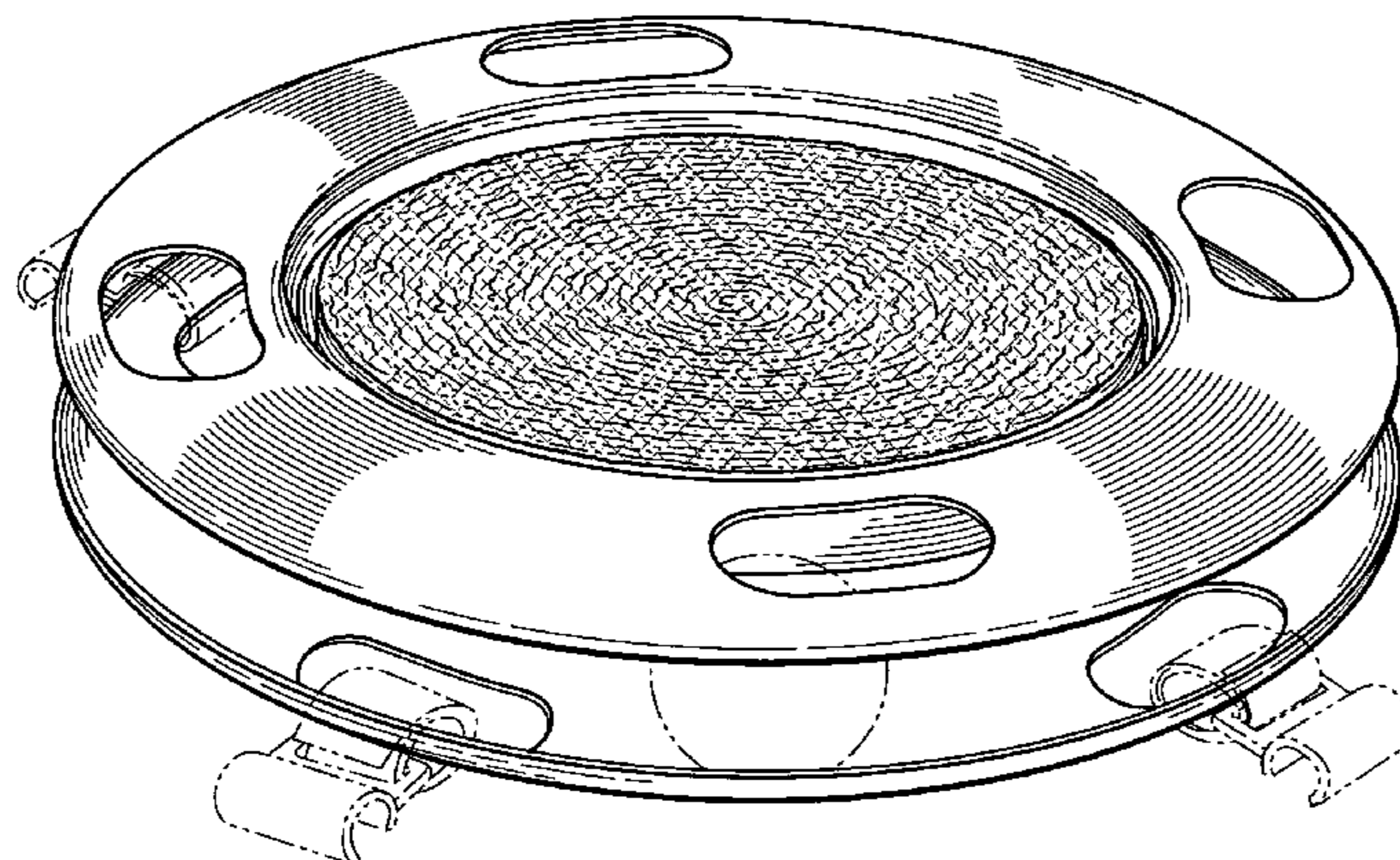
FIG. 2 is a front elevation view thereof, the rear elevation view, the right side elevation view and left side elevation view being identical;

FIG. 3 is a top plan view thereof; and,

FIG. 4 is a bottom plan view thereof.

The broken line showing of the connectors and ball is included for the purpose of illustrating environmental structure and forms no part of the claimed design.

**1 Claim, 2 Drawing Sheets**



# US D633,661 S

Page 2

## U.S. PATENT DOCUMENTS

5,009,193	A *	4/1991	Gordon	119/711	5,577,465	A	11/1996	Cook	
5,050,536	A	9/1991	Baker		5,579,725	A	12/1996	Boshears	
5,148,768	A	9/1992	Hinton		5,680,831	A *	10/1997	Udelle	119/609
D331,649	S	12/1992	Saja		5,785,005	A	7/1998	Udelle et al.	
D334,637	S	4/1993	Mitchell		D405,563	S	2/1999	Baiera et al.	
D334,815	S	4/1993	Bunger		D406,678	S	3/1999	Rittenhouse	
D335,553	S	5/1993	Conner		D444,600	S	7/2001	Spritzer	
D335,554	S	5/1993	Conner		6,405,682	B1 *	6/2002	Simon	119/707
D336,557	S	6/1993	Wade		D460,222	S	7/2002	DeRaspe-Bolles et al.	
5,226,864	A	7/1993	Showers		D469,583	S	1/2003	Bentzinger	
5,269,261	A *	12/1993	McCance	119/706	D501,064	S	1/2005	Williams	
D345,633	S	3/1994	McCance		6,886,495	B1	5/2005	Madden et al.	
D347,092	S	5/1994	Ravel		6,945,195	B1	9/2005	Morrison	
D348,124	S	6/1994	O'Rourke et al.		D513,546	S	1/2006	Comerford	
5,320,065	A	6/1994	Leopold		D529,666	S	10/2006	Simpson et al.	
D349,783	S	8/1994	Berger		7,143,553	B2	12/2006	Fritsche et al.	
5,351,650	A *	10/1994	Graves	119/707	D545,007	S	6/2007	Northrop	
D355,057	S	1/1995	Northrop et al.		D548,409	S	8/2007	Renforth et al.	
D359,822	S	6/1995	McCance		7,320,296	B2	1/2008	Morrison	
5,529,017	A *	6/1996	Udelle et al.	119/707	D583,517	S	12/2008	Tycer	
5,540,187	A *	7/1996	Udelle et al.	119/706	D606,713	S	12/2009	Kellogg et al.	
5,549,408	A	8/1996	Lo		D606,714	S	12/2009	Kellogg et al.	
5,553,570	A *	9/1996	VanNatter et al.	119/709	D607,158	S	12/2009	Kellogg et al.	
5,572,955	A	11/1996	Boshears		D607,159	S	12/2009	Kellogg et al.	

\* cited by examiner

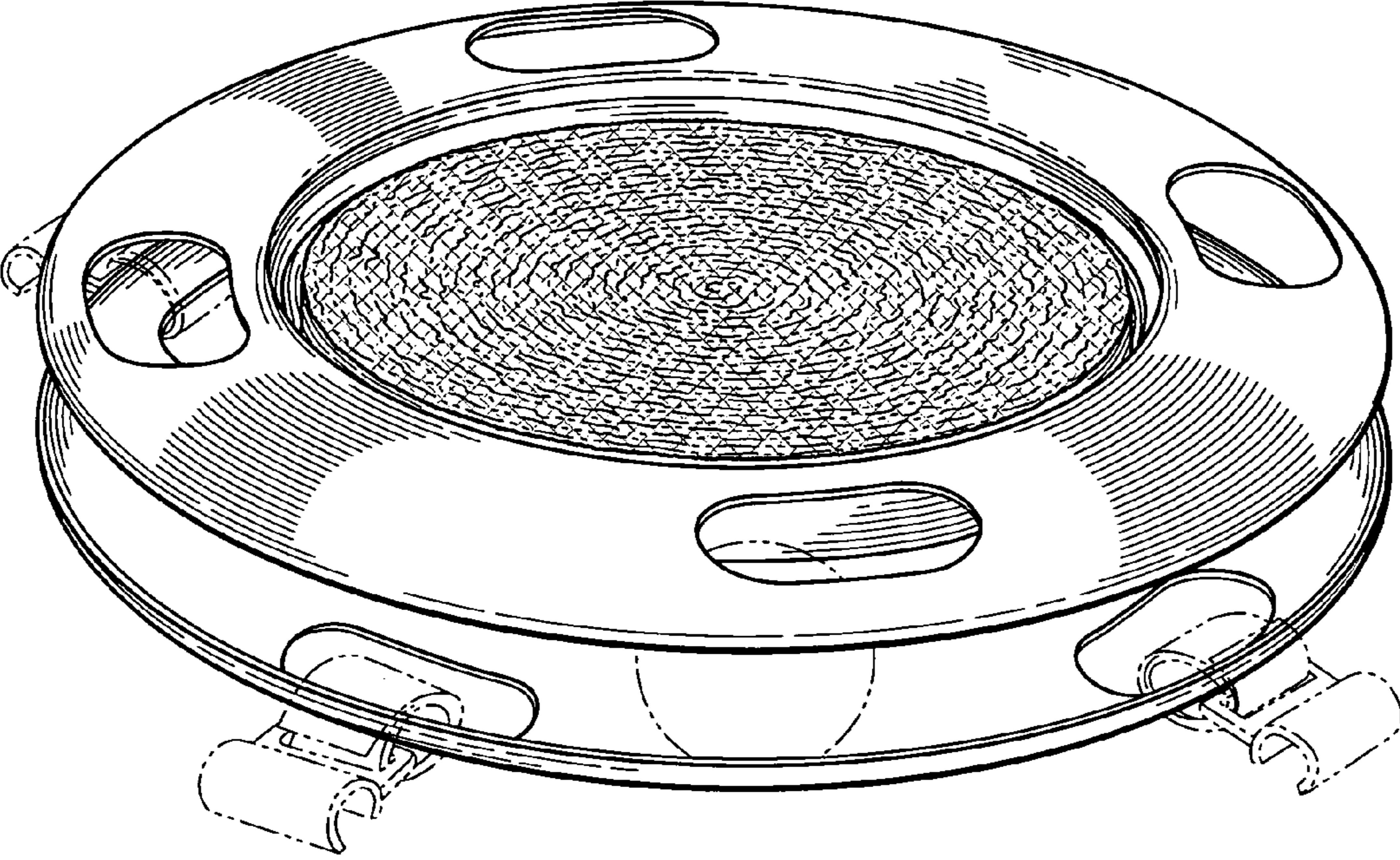


Fig. 1

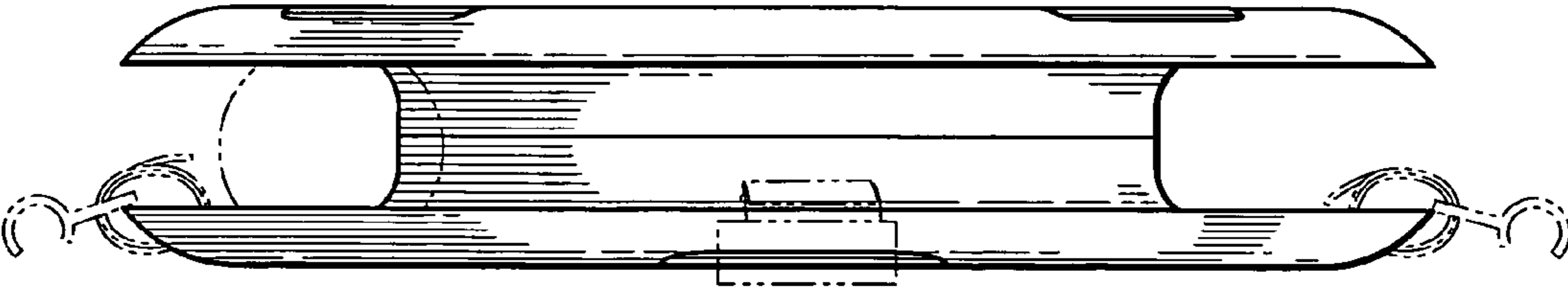


Fig. 2

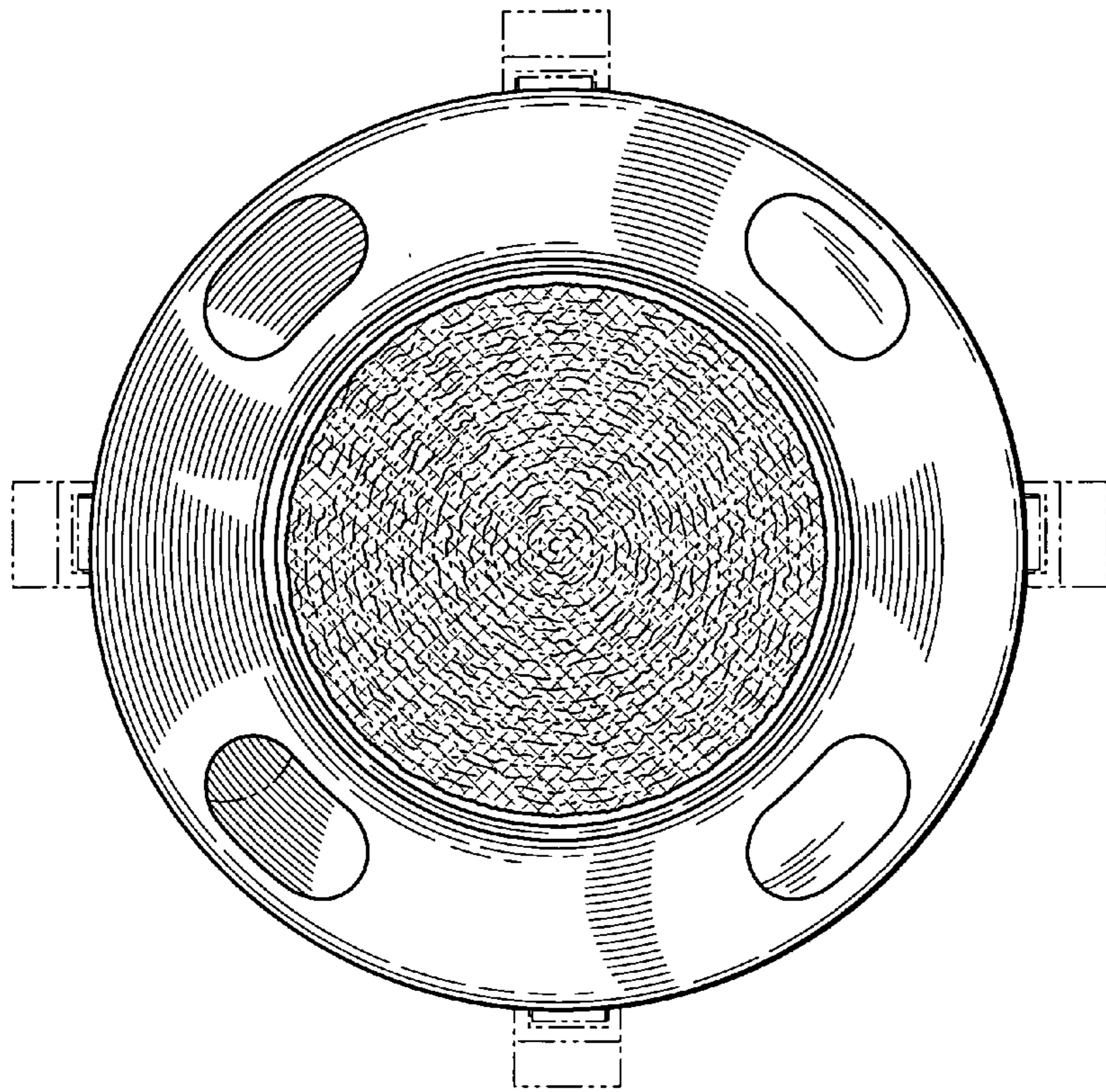


Fig. 3

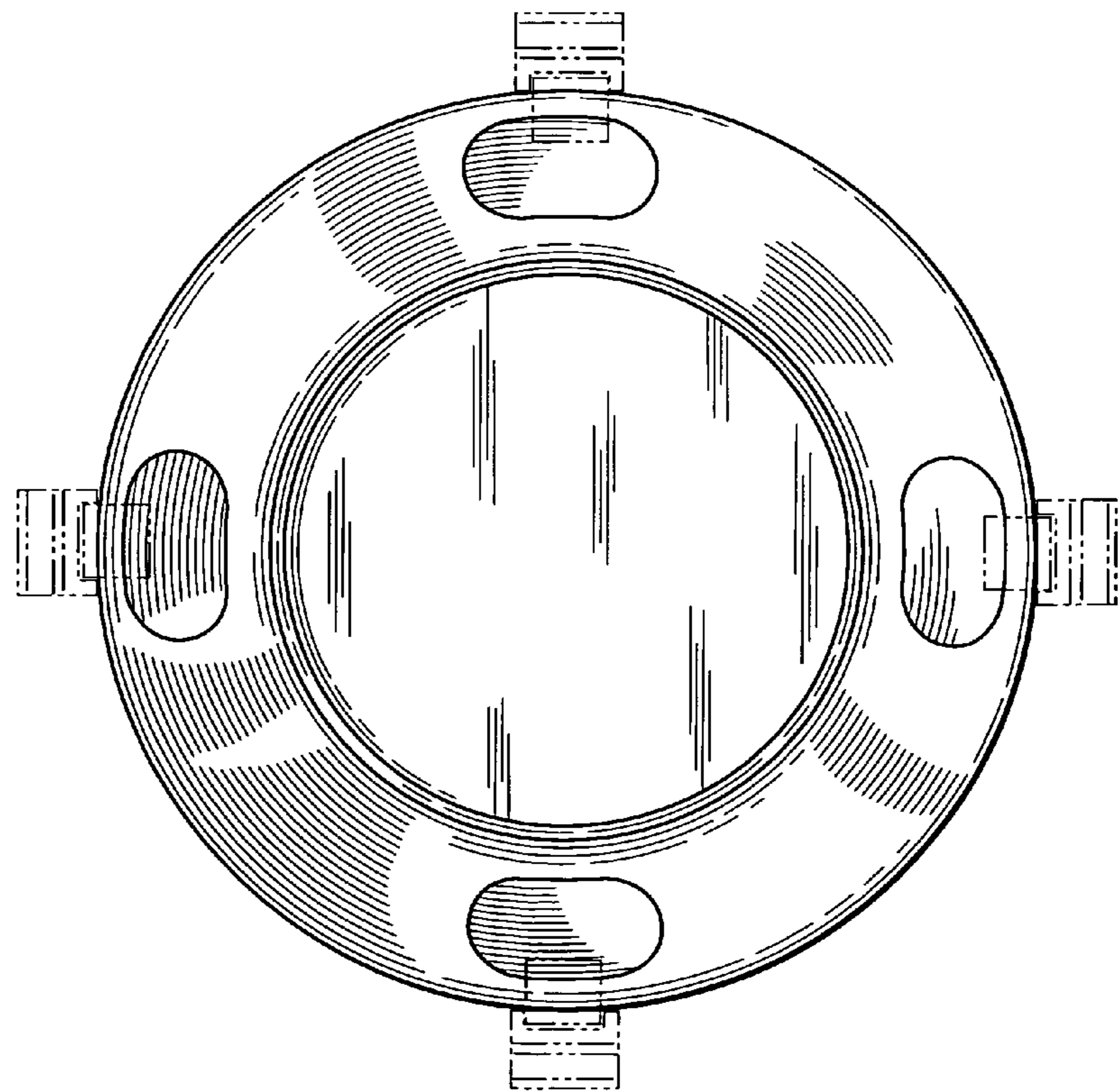


Fig. 4