



US00D633660S

(12) **United States Design Patent**
Cooke

(10) **Patent No.:** **US D633,660 S**
(45) **Date of Patent:** **** Mar. 1, 2011**

(54) **END PIECE FOR A RIDING AID**
(76) Inventor: **Deirdre Pauline Cooke**, Clinton
Corners, NY (US)
(**) Term: **14 Years**
(21) Appl. No.: **29/354,649**
(22) Filed: **Jan. 27, 2010**
(51) **LOC (9) Cl.** **30-05**
(52) **U.S. Cl.** **D30/156; D30/199**
(58) **Field of Classification Search** D30/156,
D30/199, 160, 153; 119/908, 719, 859, 720,
119/712; D22/117, 118, 142; 30/392-394,
30/277.4, 355, 272.1, 125, 336, DIG. 1, 123.6,
30/372, 340, 342, 324, 344, 345; D7/683,
D7/646, 696, 649, 650, 664, 401.2, 395, 509,
D7/511, 393; 231/2.1, 3-7; 362/119, 102,
362/202-207, 577, 109, 84; D8/30, 8, 63,
D8/64, 98, 107, 303, DIG. 4, DIG. 7, DIG. 8,
D8/313, 321, 300, 376, 378, 301, 307, 310,
D8/312, 319, 320, 377, 402, 305; 446/144,
446/405, 473, 485, 233; D28/58; 43/98;
361/232; 463/47.2-47.4, 36, 47.7; 340/321;
D21/567, 756, 672, 684, 679; 200/18, 293.1;
310/50; 206/349; 473/300-303; 16/431,
16/421, 902, DIG. 12, 110.1, 430, 422, 414,
16/417, 441, 427, 436, DIG. 30; D6/523,
D6/524, 580, 367; 242/597.1; D3/12, 254;
74/551.9, 553, 558.5; D4/138; D26/154;
211/86.01, 87.01, 105.1; 428/28, 600; D24/121,
D24/120, 122, 123, 199, 220, 224; D23/260;
220/483, 592.16, 570-572, 737-739; 292/347;
29/896.5; 84/477 B; 984/258; 40/331; D12/607;
70/207; 72/58, 349, 470; 470/16, 9, 6
See application file for complete search history.

(56) **References Cited**
U.S. PATENT DOCUMENTS
92,801 A * 7/1869 Doolittle 16/441

(Continued)

OTHER PUBLICATIONS

1. Dover Saddlery Catalogue 2008—pp. 136-137 (Whips, crops and
bats)—2 pages total. 2. Dover Saddlery Catalogue 2010-2011
Catalogue—pp. 224-225 (Whips, crops and bats)—2 pages total.*

(Continued)

Primary Examiner—Susan Moon Lee
(74) *Attorney, Agent, or Firm*—O'Brien Jones, PLLC

(57) **CLAIM**

I claim the ornamental design for an end piece for a riding aid,
as shown and described.

DESCRIPTION

FIG. 1 is a front perspective view of an embodiment of an end
piece for a riding aid of my design.

FIG. 2 is a front view of the embodiment of FIG. 1.

FIG. 3 is a rear view of the embodiment of FIG. 1.

FIG. 4 is a left side view of the embodiment of FIG. 1.

FIG. 5 is a right side view of the embodiment of FIG. 1.

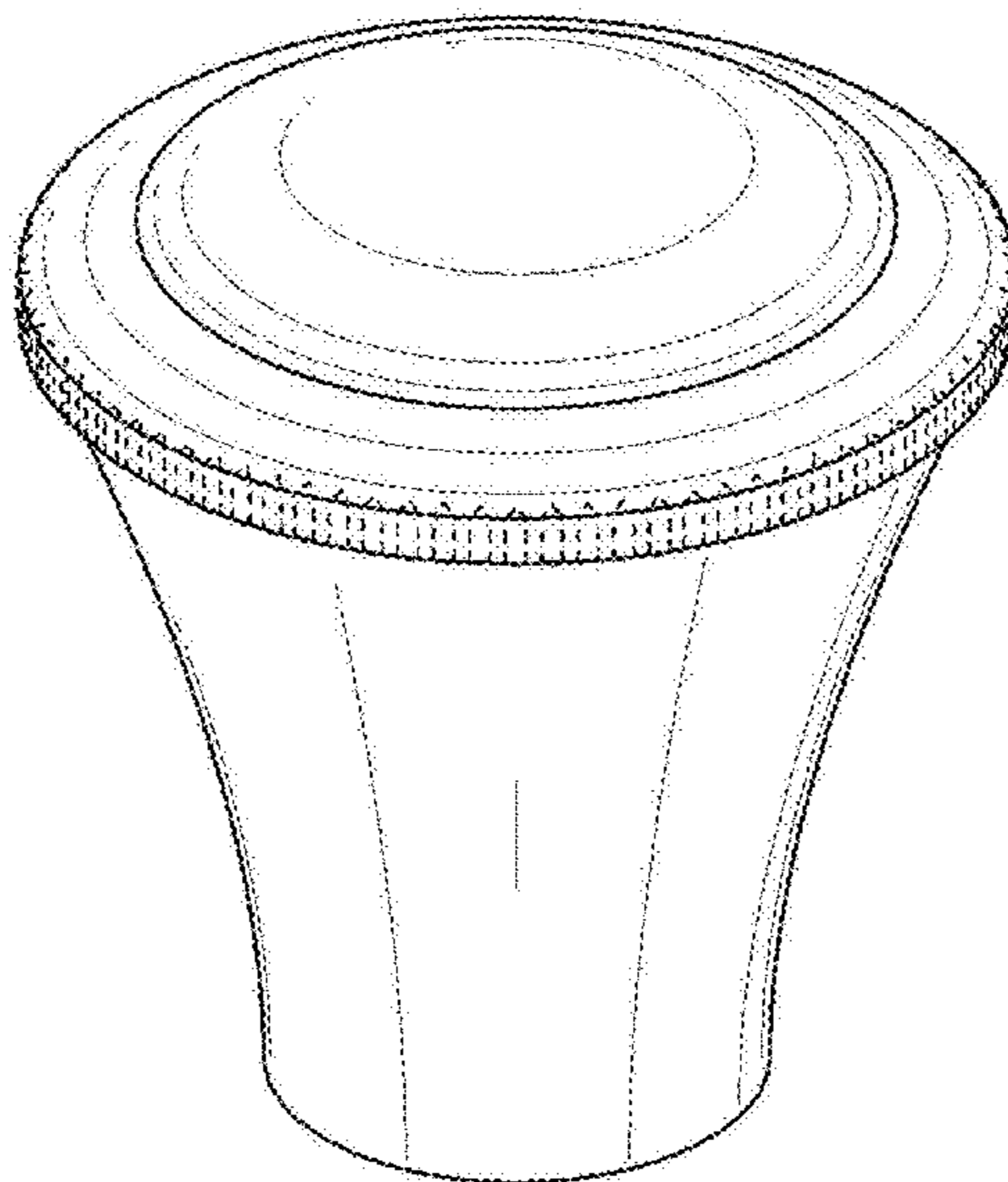
FIG. 6 is a top plan view of the embodiment of FIG. 1.

FIG. 7 is a bottom plan view of the embodiment of FIG. 1;
and,

FIG. 8 is a bottom perspective view of the embodiment of
FIG. 1.

Portions depicted in broken lines are not part of the claimed
design.

1 Claim, 7 Drawing Sheets



US D633,660 S

Page 2

U.S. PATENT DOCUMENTS

210,065 A * 11/1878 Tweed 16/433
 298,592 A * 5/1884 Kroder 428/28
 372,649 A * 11/1887 Alden 40/331
 745,404 A * 12/1903 Tower 16/417
 784,131 A * 3/1905 Assel 16/441
 963,053 A * 7/1910 Lookwood 16/441
 1,429,428 A * 9/1922 Hipwood 135/86
 1,755,301 A * 4/1930 McCullough 16/417
 1,932,056 A * 10/1933 Weatherhead, Jr. 16/441
 2,241,101 A * 5/1941 Teeter 160/231.2
 3,025,694 A * 3/1962 George 70/107
 3,229,322 A * 1/1966 Herr et al. 16/441
 D218,876 S * 10/1970 Clayton D8/310
 D225,394 S * 12/1972 Giandomenico D8/310
 4,193,166 A * 3/1980 Neff 16/441
 D301,681 S * 6/1989 Jans D8/312
 D325,622 S * 4/1992 Bengtson D23/252
 D357,851 S * 5/1995 Off D8/310
 D372,185 S * 7/1996 Doughty et al. D8/310
 5,551,124 A * 9/1996 Zeringue 16/441
 D383,371 S * 9/1997 Doughty et al. D8/310
 5,685,583 A * 11/1997 Meck et al. 292/347
 5,699,819 A * 12/1997 Simons 135/82
 D427,507 S * 7/2000 Huang D8/378
 D431,139 S * 9/2000 Chen D6/524
 D438,755 S * 3/2001 Rae D7/393
 D473,412 S * 4/2003 Chou D6/550
 6,543,629 B1 * 4/2003 Samelson 211/105.1
 D485,804 S * 1/2004 Lewis D12/607
 D492,887 S * 7/2004 Wu D8/310
 D502,381 S * 3/2005 Fields D8/310
 D506,665 S * 6/2005 Sun et al. D8/310
 D511,291 S * 11/2005 Van Handel D8/310

D517,135 S * 3/2006 Klein D21/679
 D522,845 S * 6/2006 Suero D8/376
 D522,846 S * 6/2006 Suero, Jr. D8/376
 D522,847 S * 6/2006 Suero, Jr. D8/376
 D526,882 S * 8/2006 Veltz D8/307
 D536,948 S * 2/2007 Fields D8/310
 D537,319 S * 2/2007 Fields D8/310
 D541,130 S * 4/2007 Fields D8/310
 D542,115 S * 5/2007 Hanna et al. D8/310
 D544,263 S * 6/2007 Kakihana D6/524
 D546,606 S * 7/2007 Berberet D6/524
 D547,165 S * 7/2007 Barrese D8/380
 D560,110 S * 1/2008 Ricereto D8/310
 D563,758 S * 3/2008 Oliver D8/310
 D572,567 S * 7/2008 Flynn D8/307
 D585,538 S * 1/2009 Hidalgo D23/411
 D592,484 S * 5/2009 Ricereto D8/310
 D593,716 S * 6/2009 Strauss D30/156
 D605,935 S * 12/2009 Zeyfang D8/402
 D617,894 S * 6/2010 Wright D24/121
 2005/0189008 A1 * 9/2005 Bonin 135/68
 2008/0217493 A1 * 9/2008 Bevirt 248/163.1

OTHER PUBLICATIONS

Anvil Brand Shoe Co. 2007 Spring/Summer catalogue—p. 59
 “Horseshoe Studs”—1 page total.*
 State Line Tack catalogue—Dec. 2006—p. 169—1 page total.*
 1. Millers Equine catalogue—Oct. 1987—pp. 84-85 (crops, whips,
 bats)—2 pages total. 2. Millers Equine catalogue—May 1990—pp.
 128, 130—(Crops, whips, bats) 2 pages total. 3. Millers Equine
 catalogue—Apr. 1988—pp. 34-36—(Crops, bats and whips)—3
 pages total.*

* cited by examiner

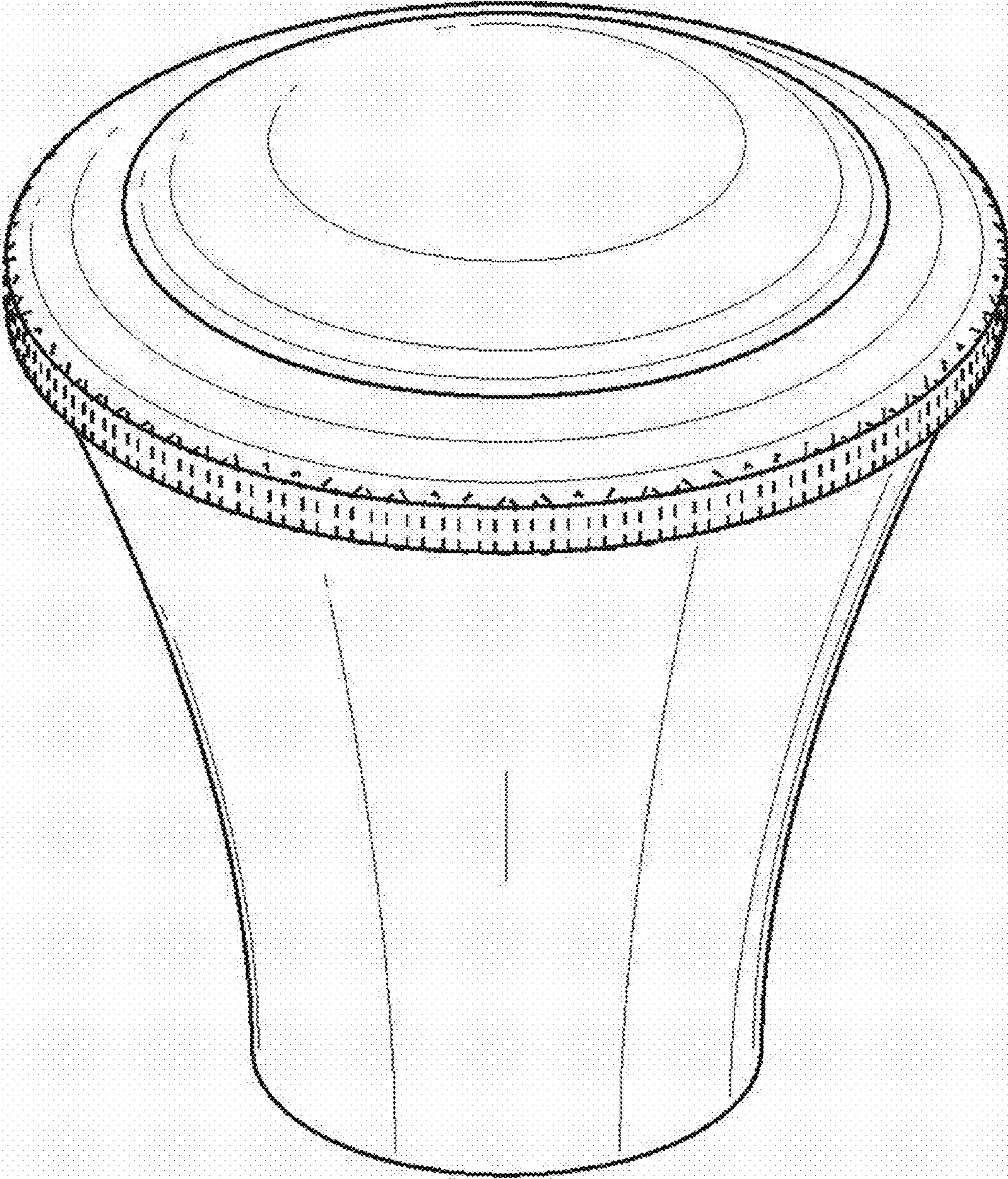


FIG. 1

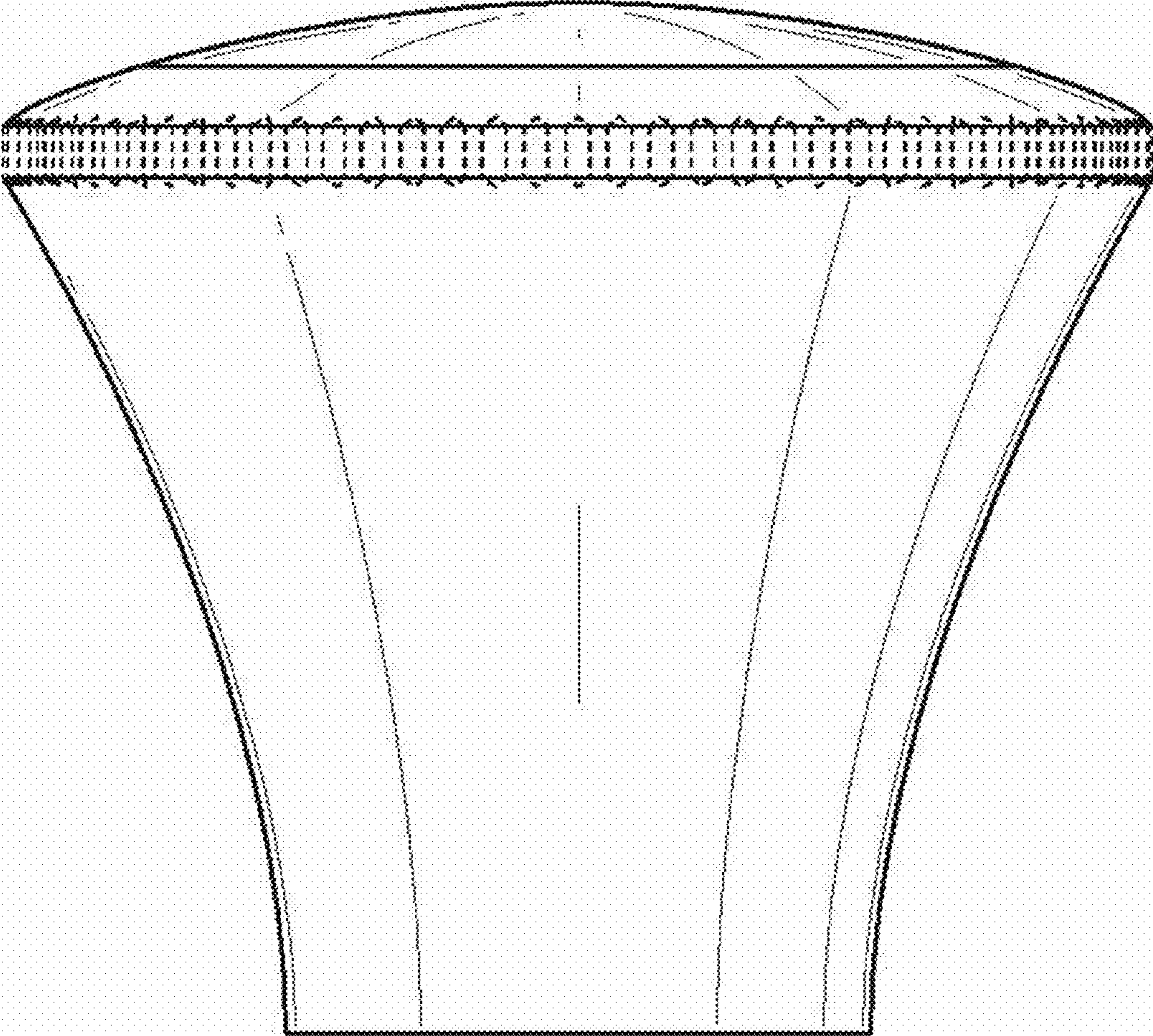


FIG. 2

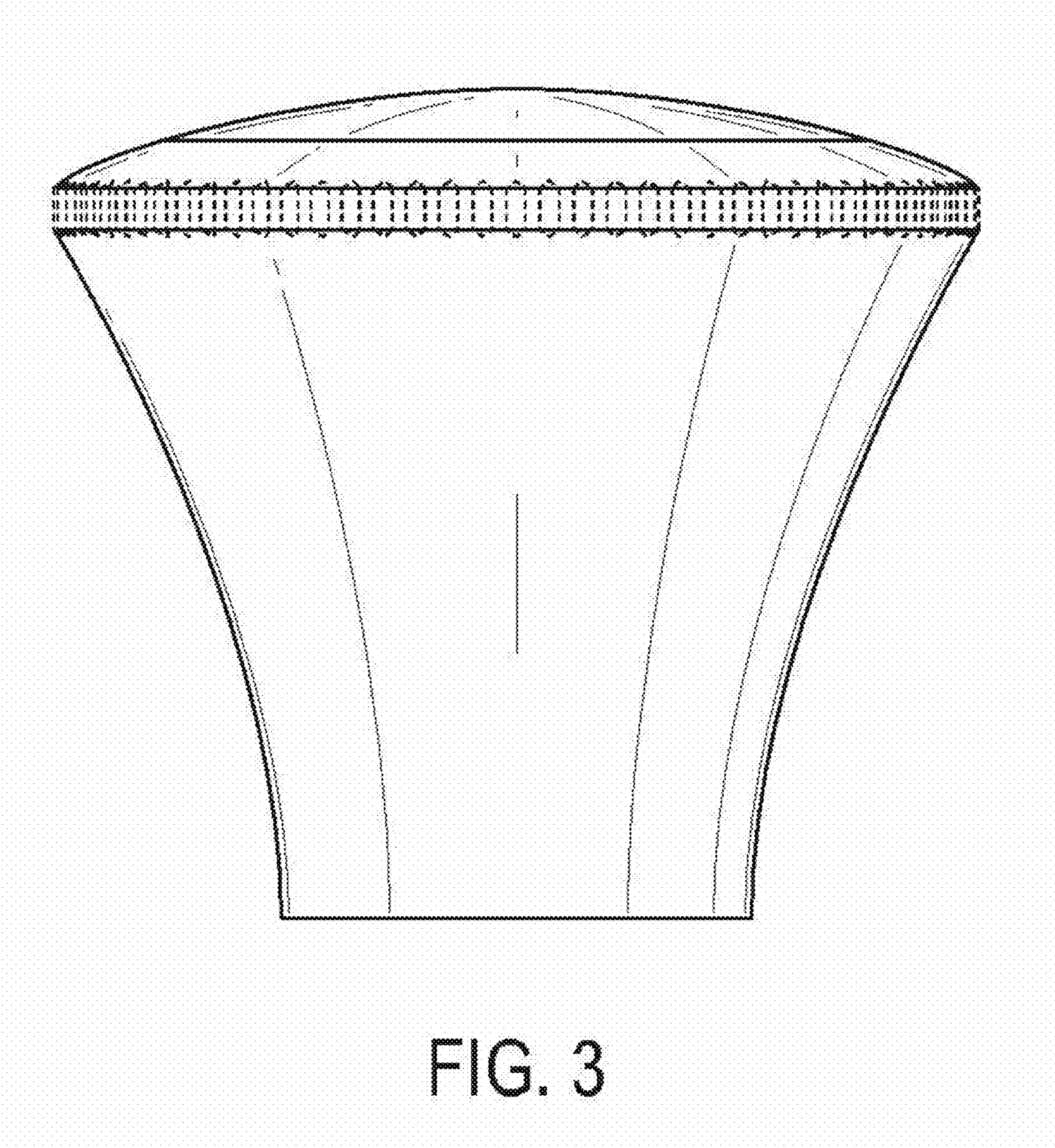


FIG. 3

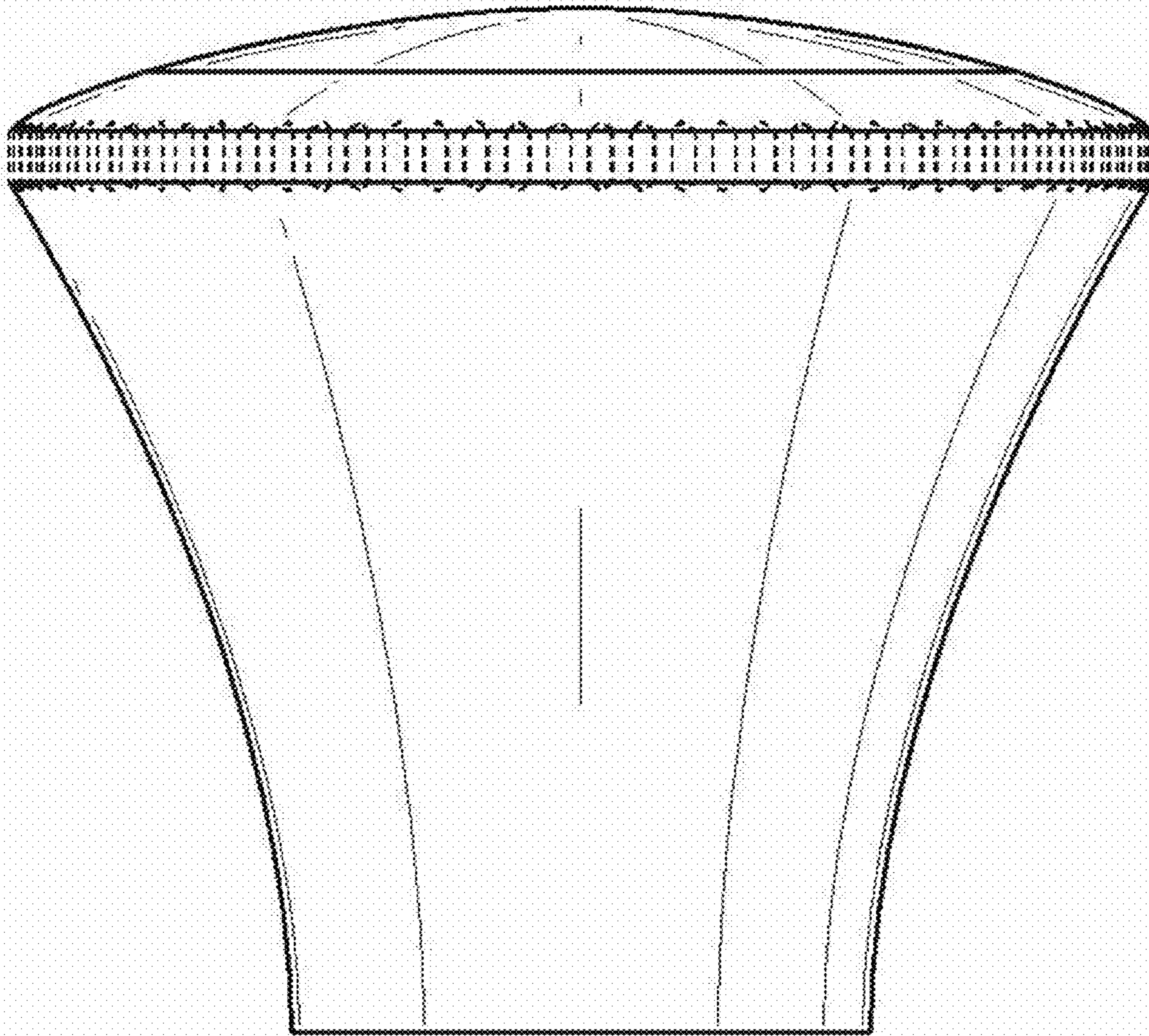


FIG. 4

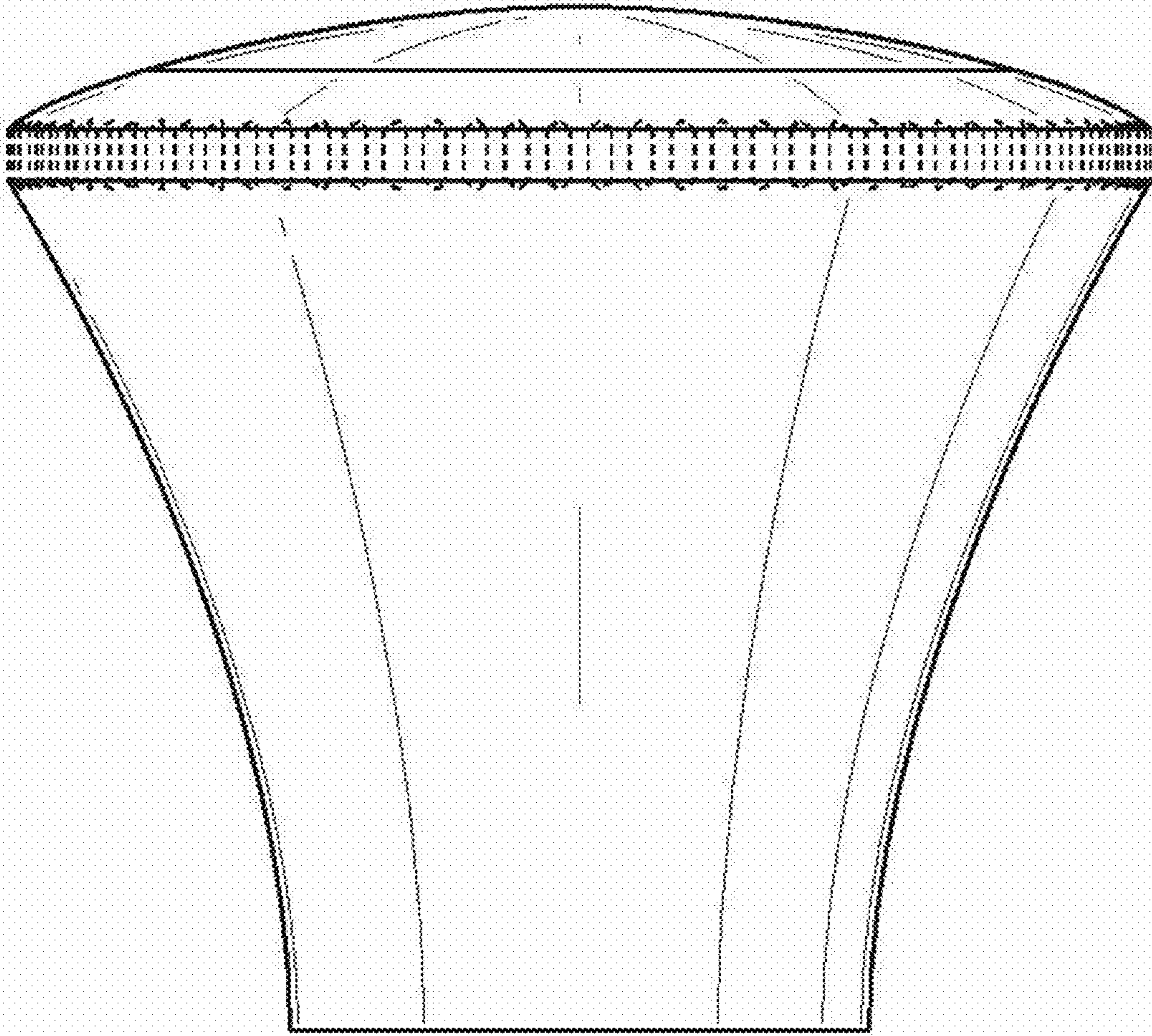


FIG. 5

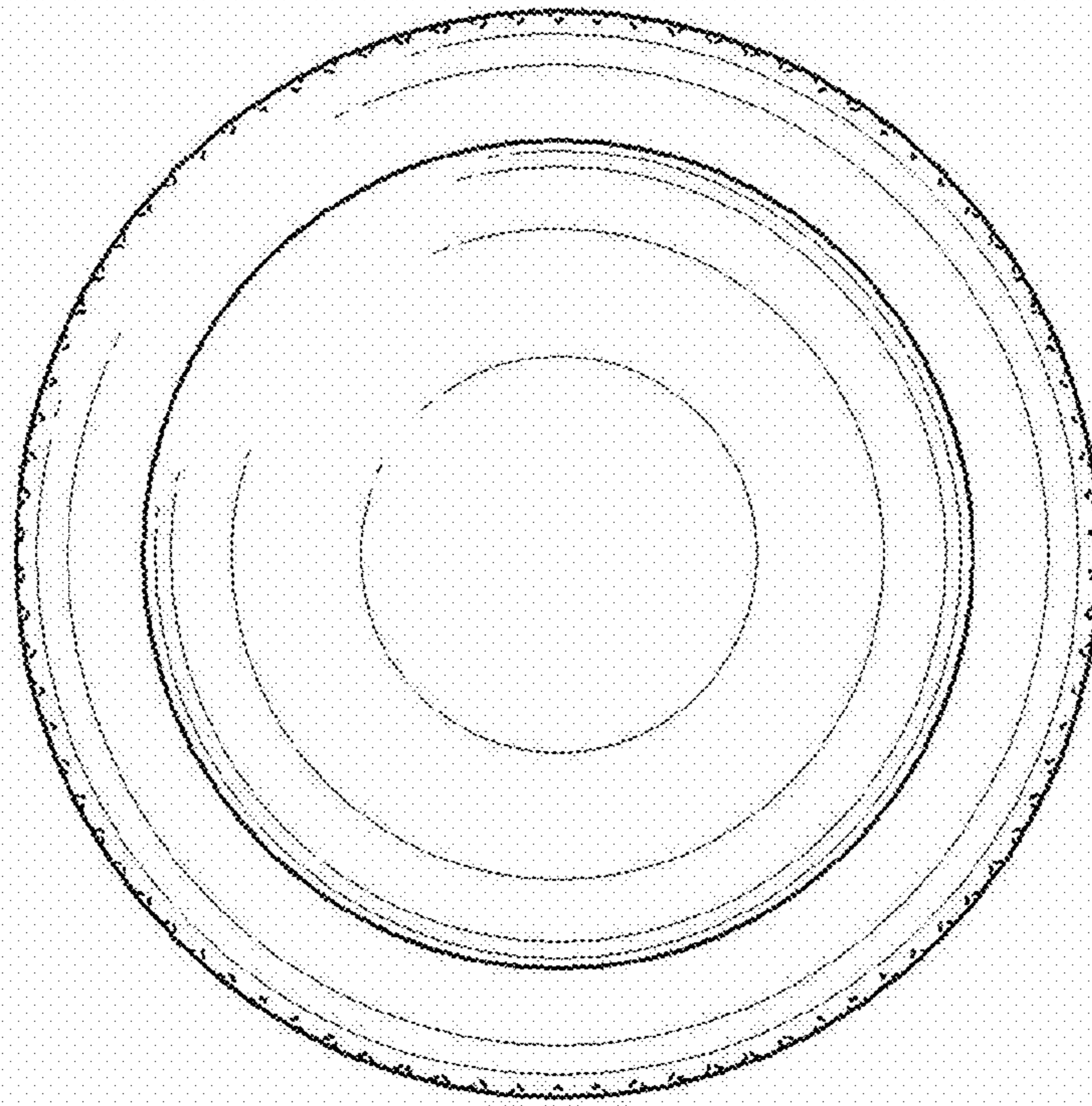


FIG. 6

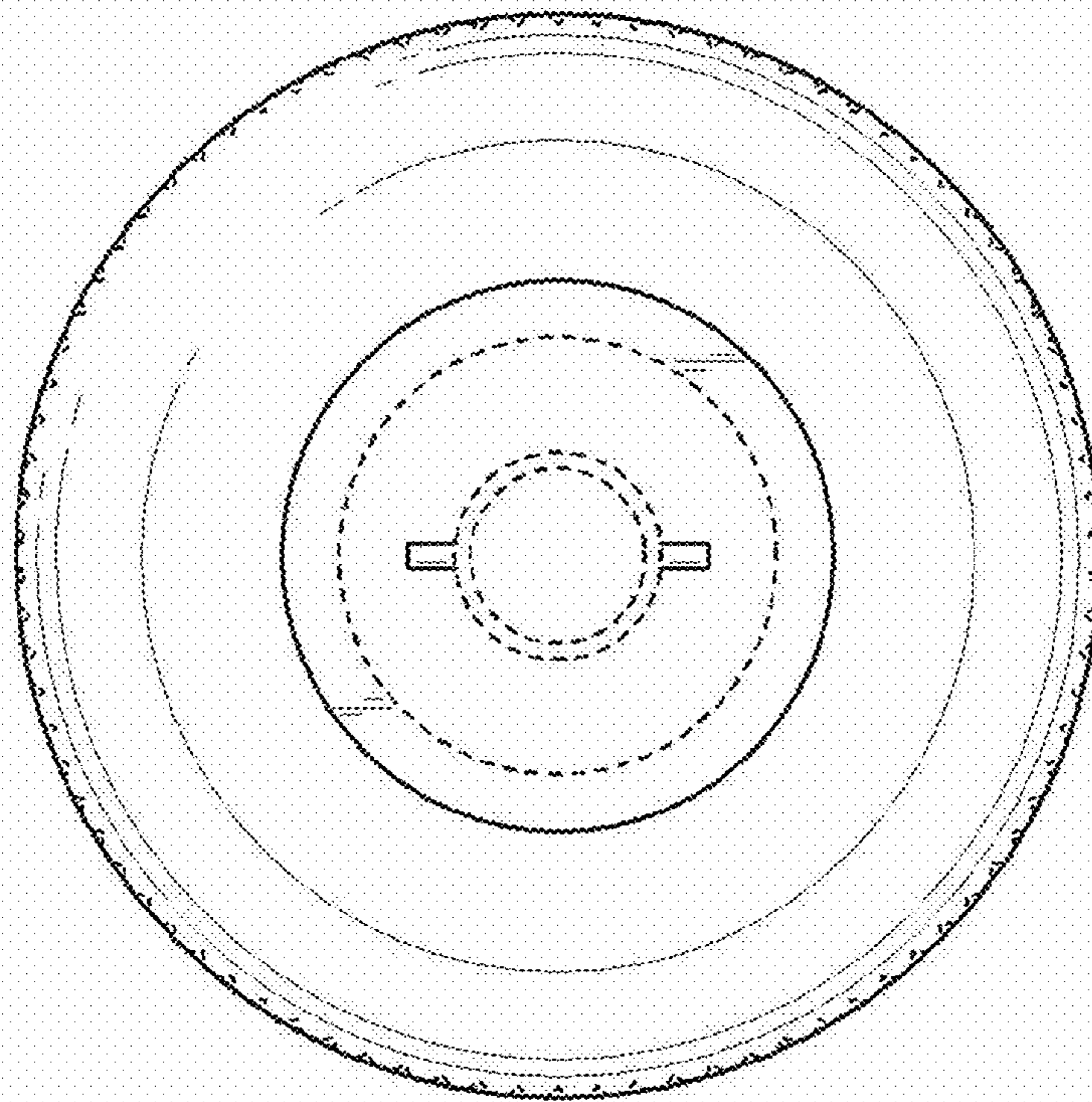


FIG. 7

