



US00D633659S

(12) **United States Design Patent**  
**Lai**

(10) **Patent No.:** **US D633,659 S**  
(45) **Date of Patent:** **\*\* Mar. 1, 2011**

(54) **PET FOOD DISPENSER**

(76) Inventor: **Chih-Cheng Lai**, Taipei (TW)

(\*\*) Term: **14 Years**

(21) Appl. No.: **29/347,782**

(22) Filed: **Jun. 3, 2010**

(51) **LOC (9) Cl.** ..... **30-03**

(52) **U.S. Cl.** ..... **D30/121; D30/131**

(58) **Field of Classification Search** ..... D30/133,  
D30/121, 122, 124, 127, 128, 132; 119/51.01,  
119/61, 51.04, 53, 57.91, 54, 53.5, 52.4,  
119/51.11, 63, 61.2, 52.1, 57.5, 57.6, 51.13,  
119/62, 75, 500, 501; 239/7, 687, 379, 397.5;  
222/199, 181.1, 181.2, 185.1, 557, 156, 485,  
222/486, 548, 555; 220/200, 227, 247, 262;  
221/174, 185.1, 289, 295, 296, 559; 454/35;  
209/270, 283, 244; 52/194, 192; 49/279,  
49/344, 357; D34/28

See application file for complete search history.

(56) **References Cited**

**U.S. PATENT DOCUMENTS**

294,932	A *	3/1884	Tappeiner	119/77
479,549	A *	7/1892	Botsford	119/77
798,493	A *	8/1905	Brown	119/77
1,330,995	A *	2/1920	Wyman	119/77
1,331,008	A *	2/1920	Force	119/53
1,502,847	A *	7/1924	Collins	119/77
1,561,871	A *	11/1925	Lord	119/77
1,716,239	A *	6/1929	Oakes	119/80
1,994,859	A *	3/1935	Langum	43/131
2,582,537	A *	1/1952	Flateboe	241/92
2,702,528	A *	2/1955	Lehmann	119/77
3,244,150	A *	4/1966	Blair	119/52.3
D222,481	S *	10/1971	Rakowski	D30/128
D233,642	S *	11/1974	Arnold	D7/628
D244,786	S *	6/1977	Dryden	D30/128
D285,840	S *	9/1986	Poon	D26/42
4,664,066	A *	5/1987	Steuernagel et al.	119/52.2
D300,963	S *	5/1989	Atchley	D30/132

D331,647	S *	12/1992	Embree	D30/124
5,218,926	A *	6/1993	Wenstrand	119/77
D343,030	S *	1/1994	Harwick, Jr.	D30/128
D347,714	S *	6/1994	Maple et al.	D30/128
D358,629	S *	5/1995	Wefler	D22/122
5,423,291	A *	6/1995	Daugherty	119/77
D392,428	S *	3/1998	Atchley	D30/121
D393,108	S *	3/1998	Atchley	D30/121
5,823,135	A *	10/1998	Gilchrist et al.	119/52.2
5,829,386	A *	11/1998	Wenstrand	119/77
D406,926	S *	3/1999	Kolozsvari	D30/132
D417,528	S *	12/1999	Rizzo	D30/121
6,079,361	A *	6/2000	Bowell et al.	119/72
6,463,878	B1 *	10/2002	Moody	119/57.9
6,640,745	B1 *	11/2003	Park	119/52.2
D483,529	S *	12/2003	Fort, II	D30/124
6,928,954	B2 *	8/2005	Krishnamurthy	119/51.5
7,040,249	B1 *	5/2006	Mushen	119/51.5

(Continued)

*Primary Examiner*—Susan Moon Lee  
(74) *Attorney, Agent, or Firm*—Hershkovitz & Associates, LLC.; Abraham Hershkovitz

(57) **CLAIM**

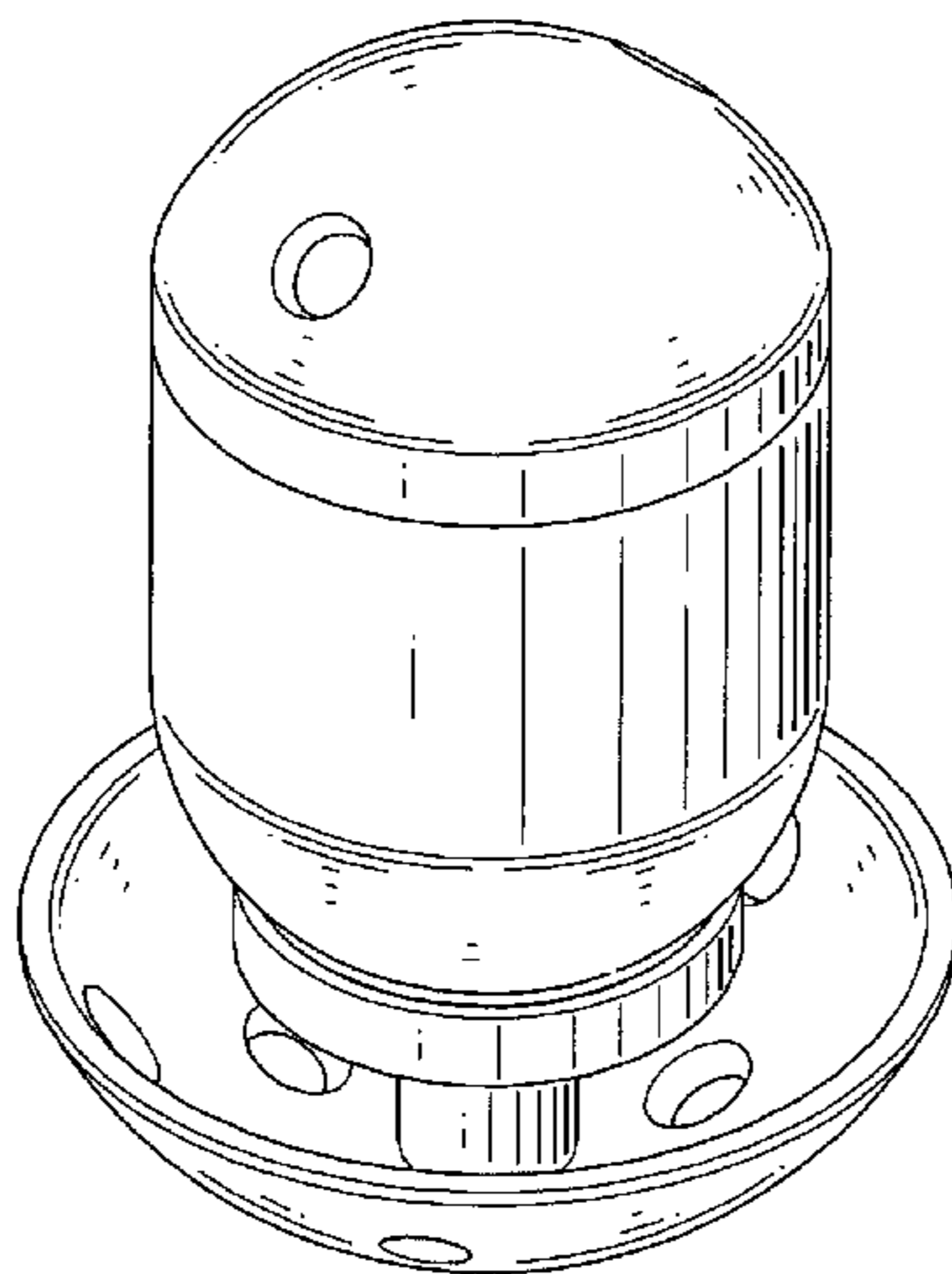
The ornamental design for a pet food dispenser, as shown and described.

**DESCRIPTION**

FIG. 1 is a perspective view of a pet food dispenser showing my new design;  
FIG. 2 is a front view thereof;  
FIG. 3 is a rear view thereof;  
FIG. 4 is a left view thereof;  
FIG. 5 is a right view thereof;  
FIG. 6 is a top view thereof; and,  
FIG. 7 is a bottom view thereof.

The portions of the Figures shown in broken lines are shown for illustrative purposes only and form no part of the claimed design.

**1 Claim, 4 Drawing Sheets**



# US D633,659 S

Page 2

---

## U.S. PATENT DOCUMENTS

7,040,251 B2 *	5/2006	Fort, II	119/57.8	D606,709 S *	12/2009	McMullen	D30/127
D524,490 S *	7/2006	Obenshain	D30/127	D612,107 S *	3/2010	Gardner	D30/124
D529,220 S *	9/2006	Izardel	D26/94	7,780,035 B2 *	8/2010	Rowe et al.	220/703
D566,344 S *	4/2008	Schatz	D30/124	2008/0257273 A1 *	10/2008	Carter et al.	119/72

\* cited by examiner

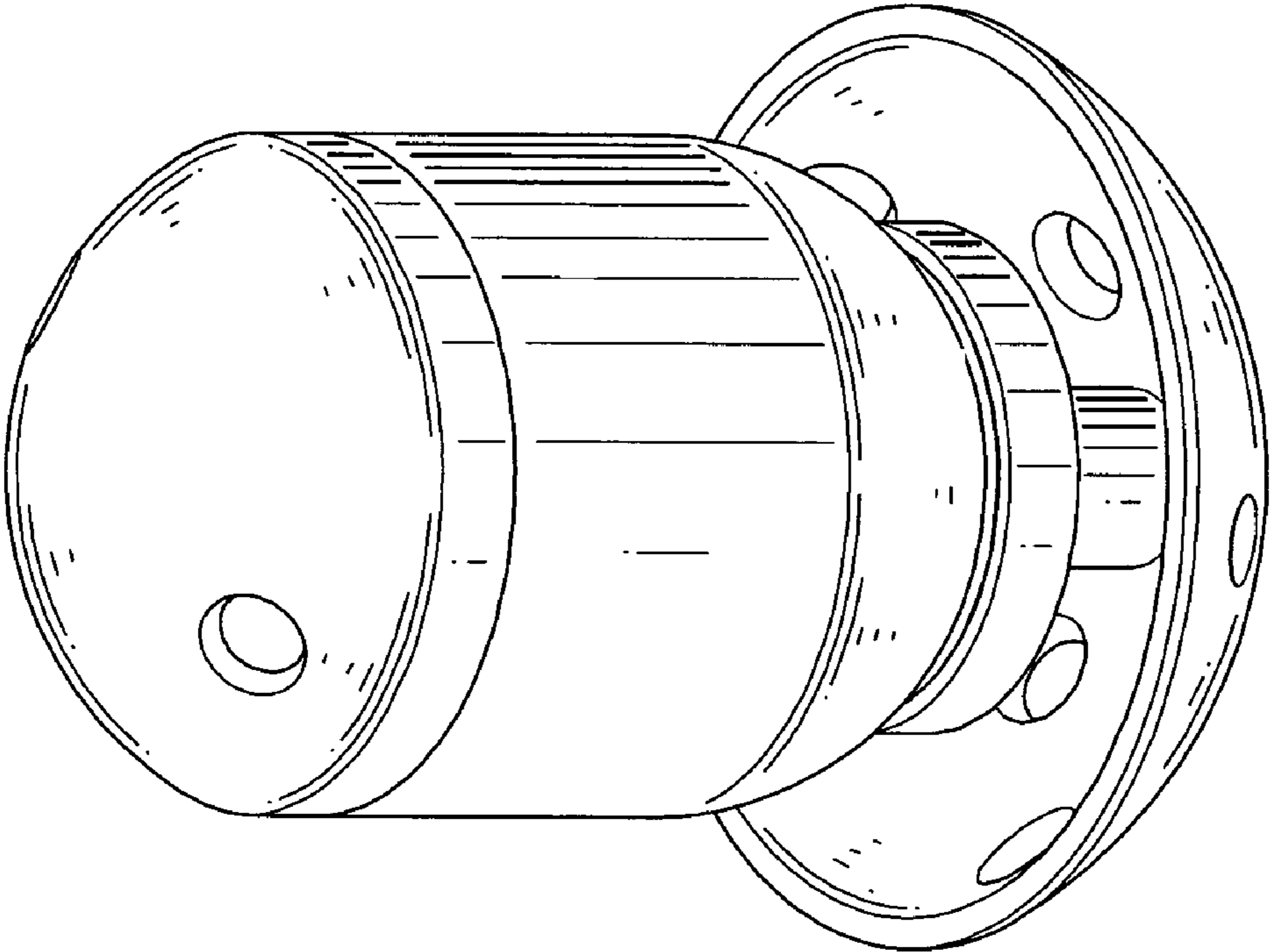


FIG.1

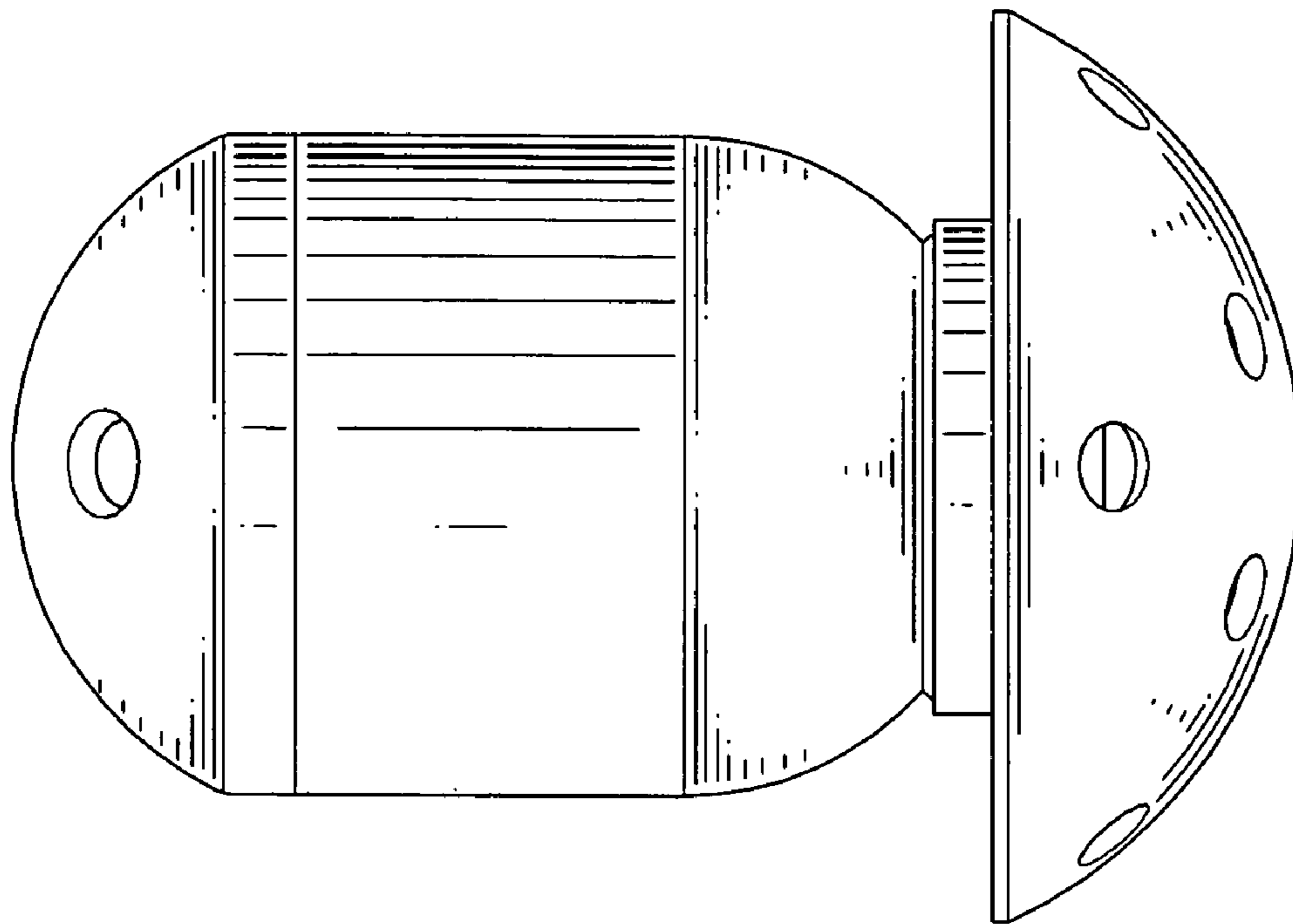


FIG.3

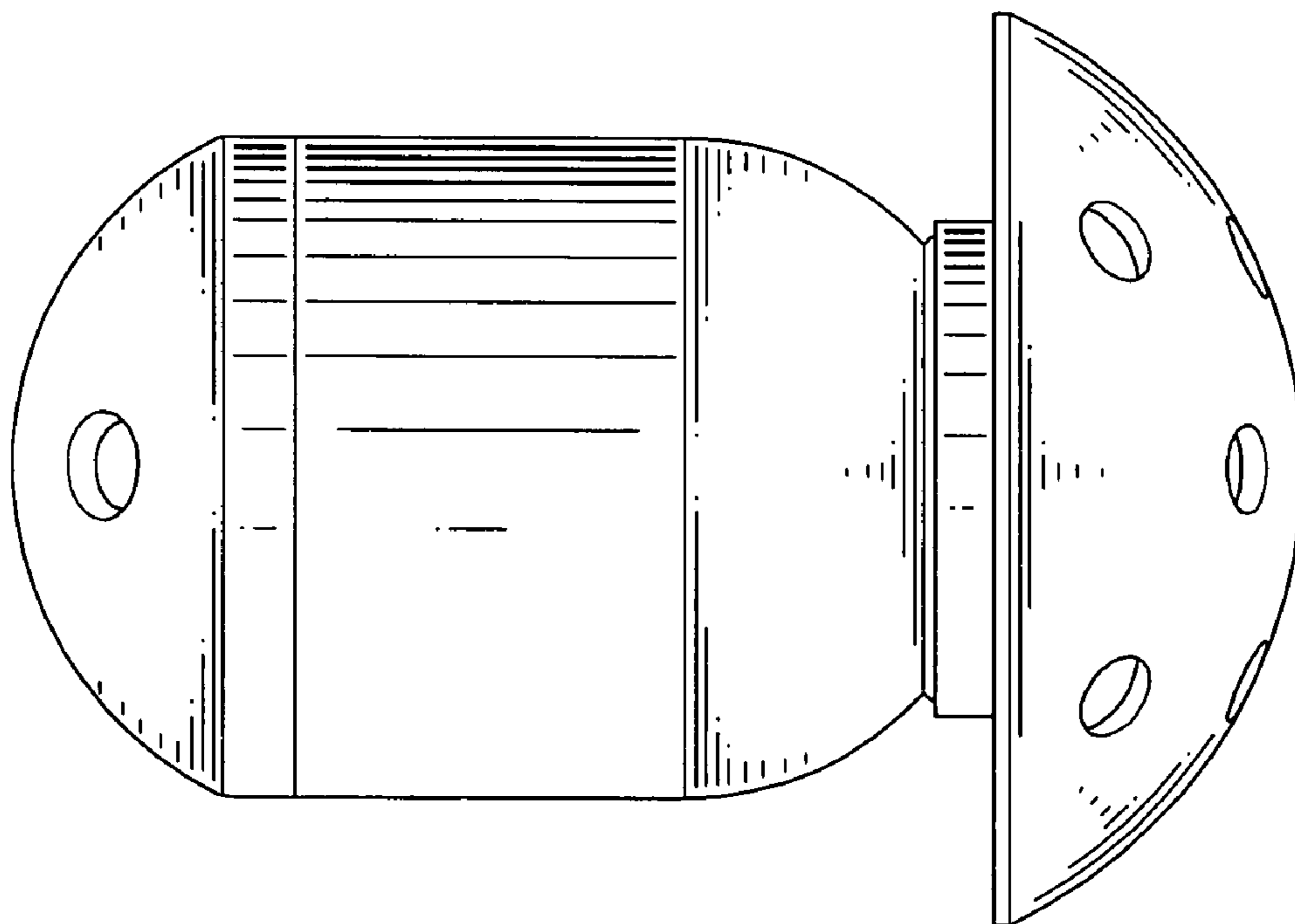


FIG.2

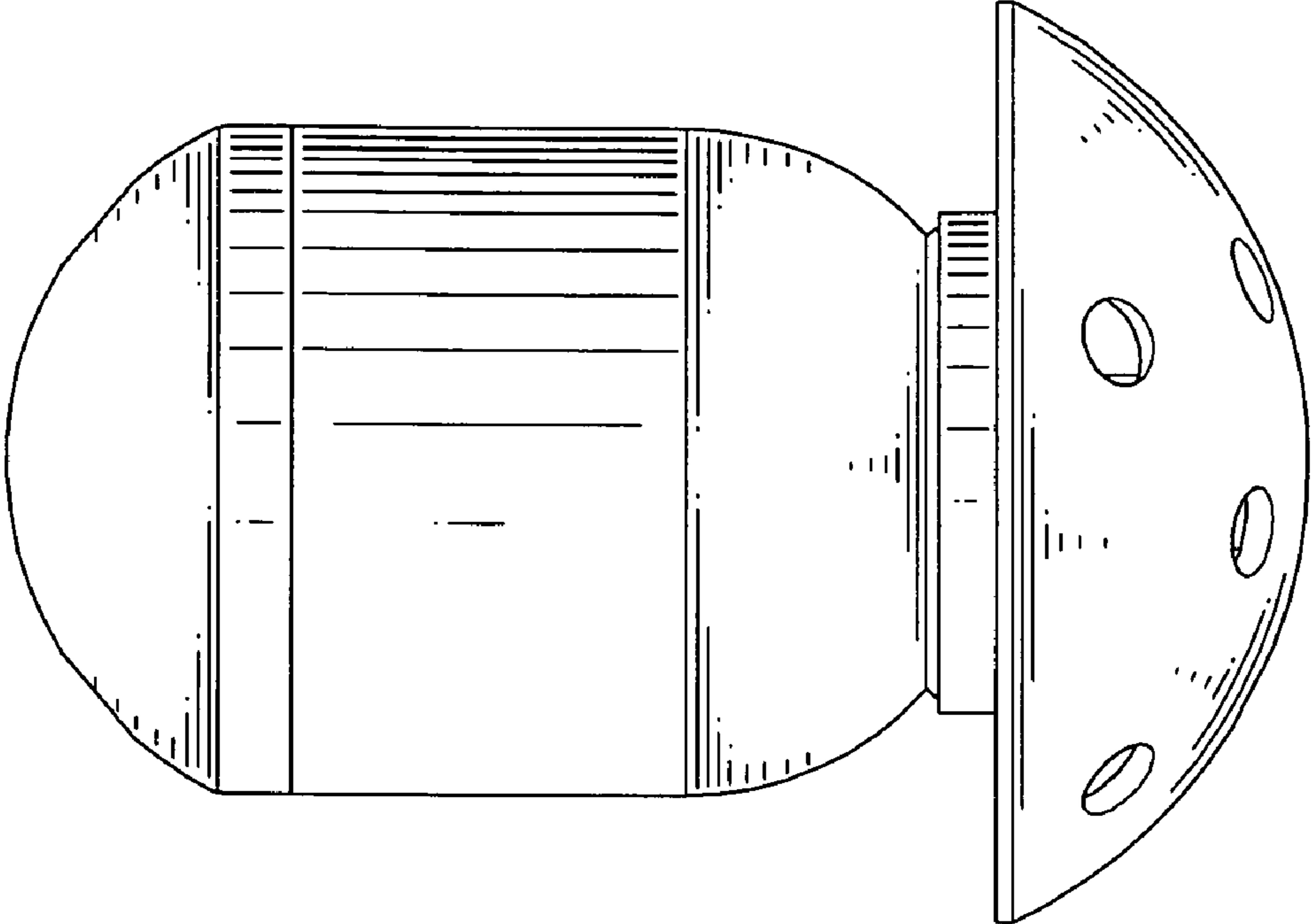


FIG.5

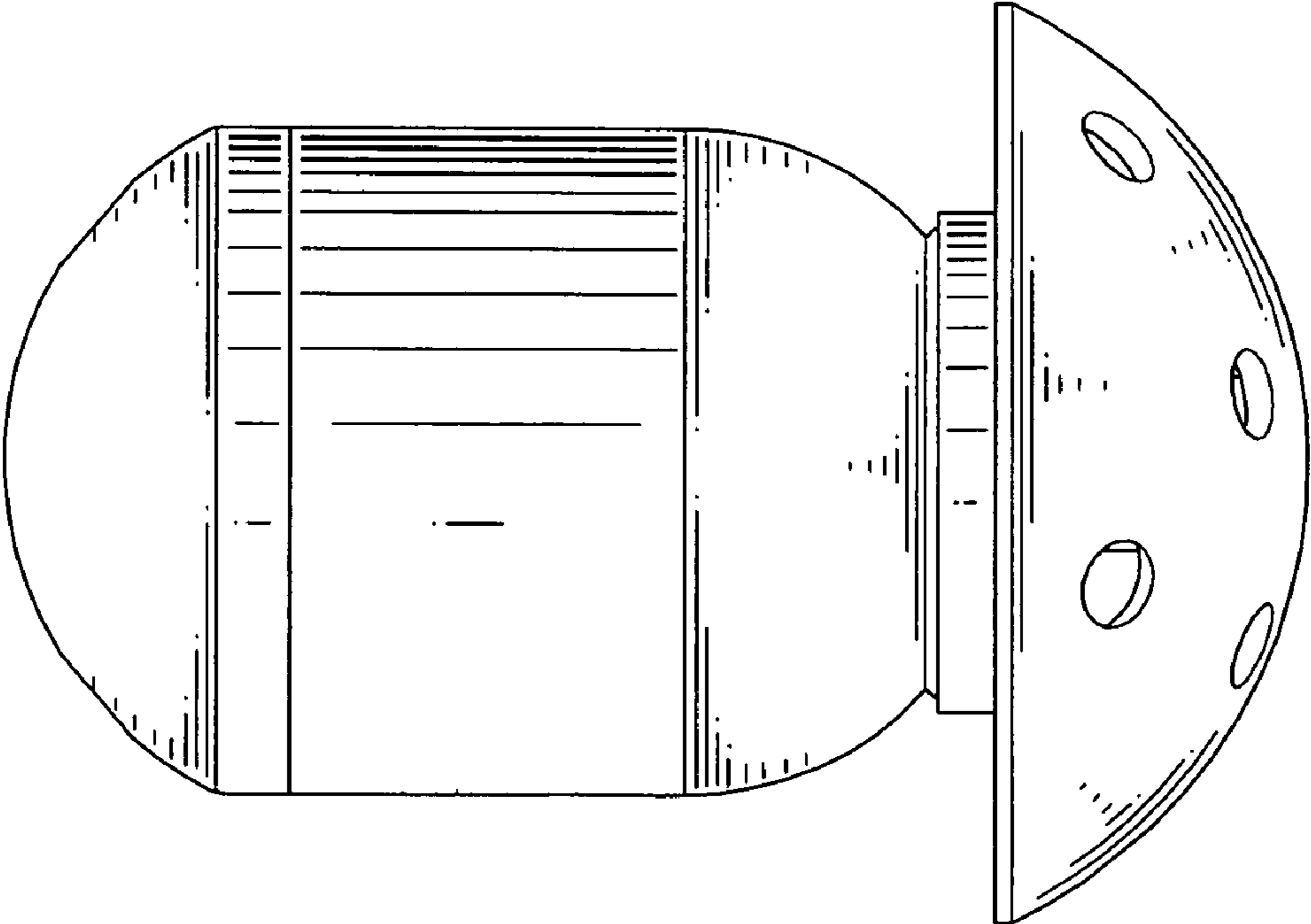


FIG.4

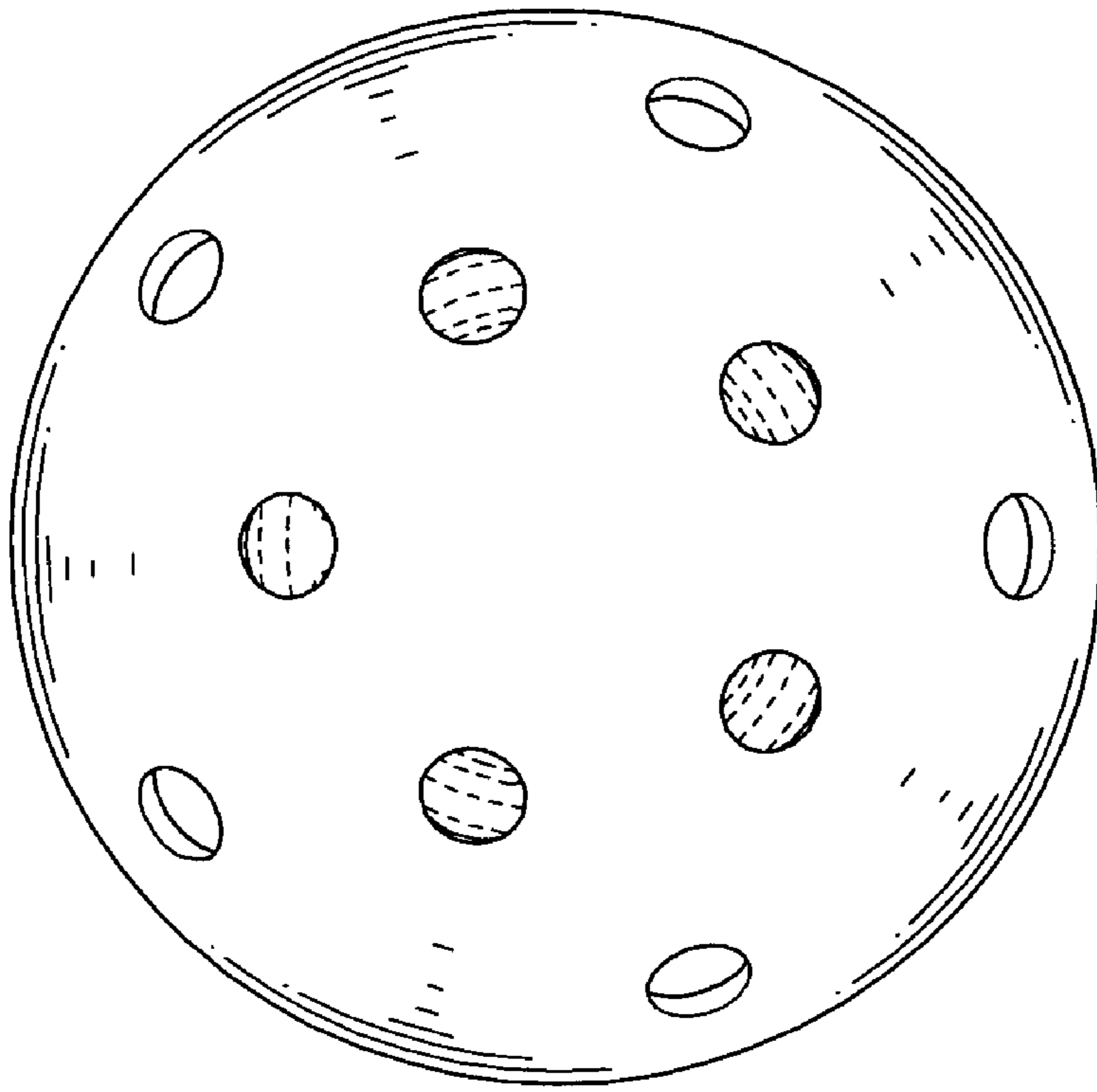


FIG. 7

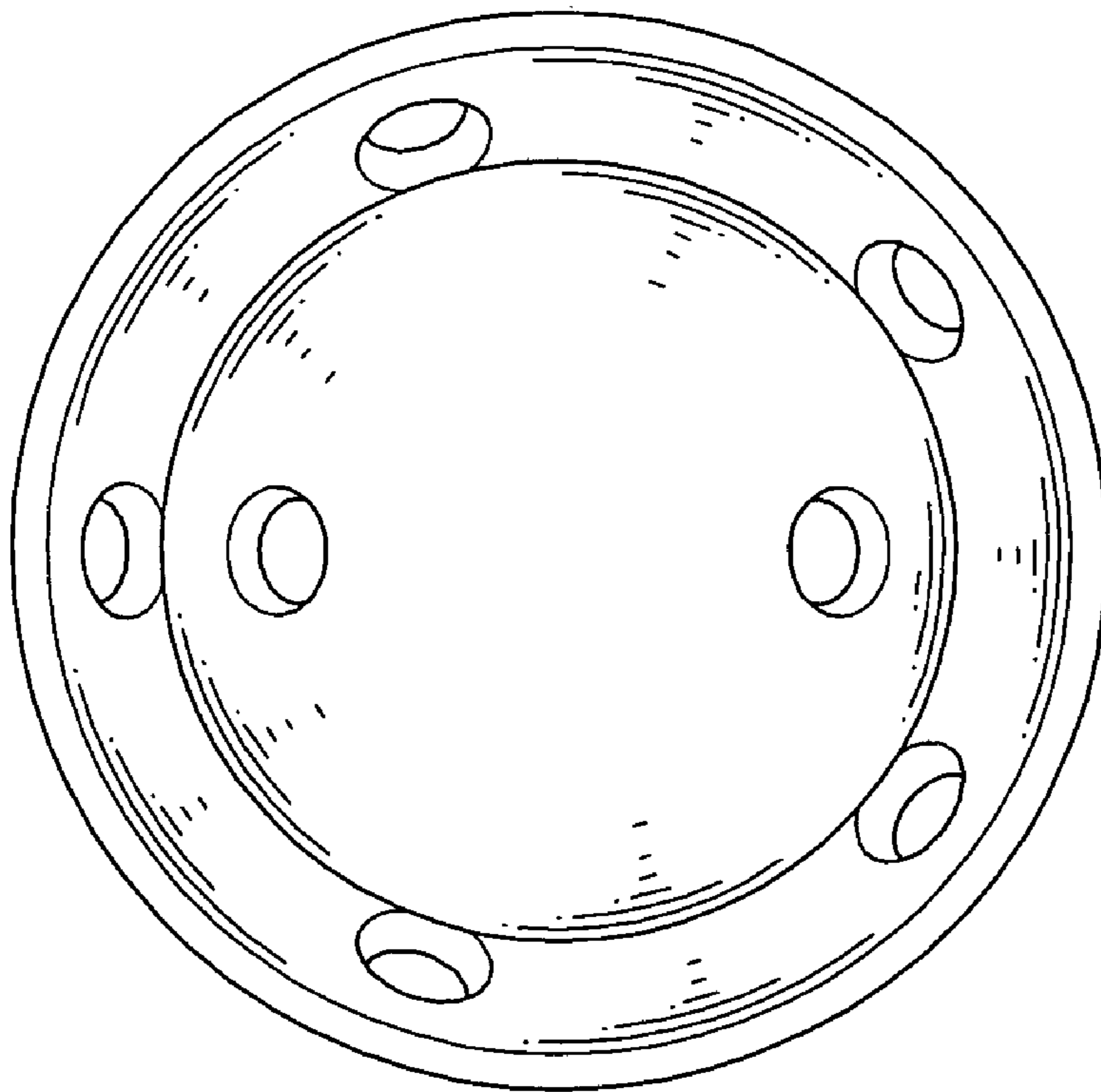


FIG. 6