



US00D633658S

(12) **United States Design Patent**
Daniel

(10) **Patent No.:** **US D633,658 S**
(45) **Date of Patent:** **** Mar. 1, 2011**

(54) **NOISE SHIELD**

(75) Inventor: **Isaac Sayo Daniel**, Miami, FL (US)

(73) Assignee: **F3M3 Companies, Inc.**, Miramar, FL (US)

(**) Term: **14 Years**

(21) Appl. No.: **29/316,491**

(22) Filed: **Oct. 2, 2009**

(51) **LOC (9) Cl.** **29-02**

(52) **U.S. Cl.** **D29/122**

(58) **Field of Classification Search** D29/122,
D29/102-107; 2/411-414, 425, 423, 424,
2/418, 422

See application file for complete search history.

(56) **References Cited**

U.S. PATENT DOCUMENTS

4,229,836 A *	10/1980	Stinger	2/422
4,354,285 A *	10/1982	Rudd	2/424
6,442,766 B1 *	9/2002	Arai	2/422

* cited by examiner

Primary Examiner—Lisa P Lichtenstein

(74) *Attorney, Agent, or Firm*—Carol N. Green, Esq.

(57) **CLAIM**

The ornamental design for a noise shield, as shown and described.

DESCRIPTION

FIG. 1 is a front perspective view of the invention.

FIG. 2 is a front perspective view of the invention.

FIG. 3 is a left side elevational view of the invention.

FIG. 4 is a front right plan view of the invention.

FIG. 5 is a right side elevational view of the invention.

FIG. 6 is a back plan view of the invention.

FIG. 7 is a top elevational view of the invention.

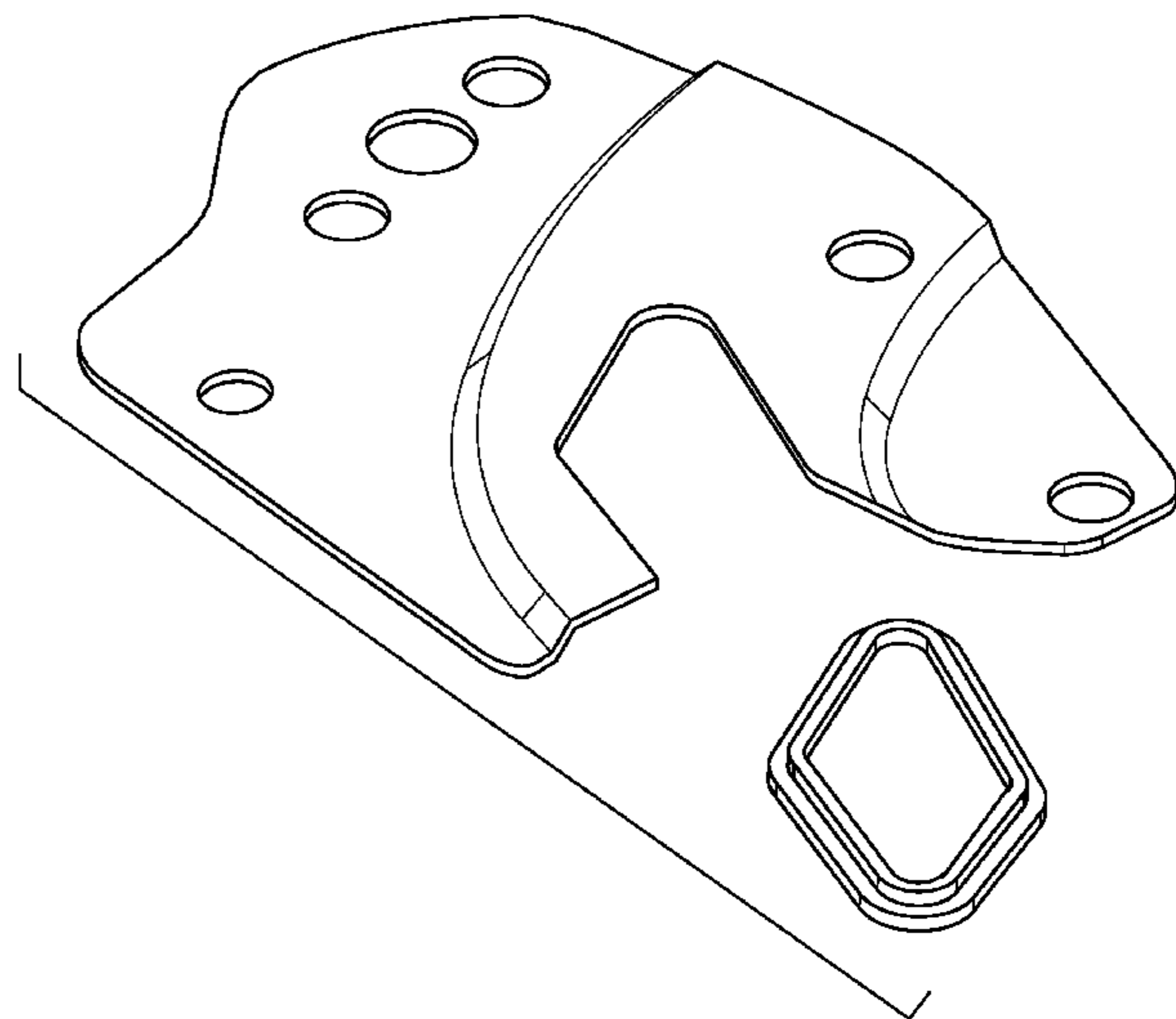
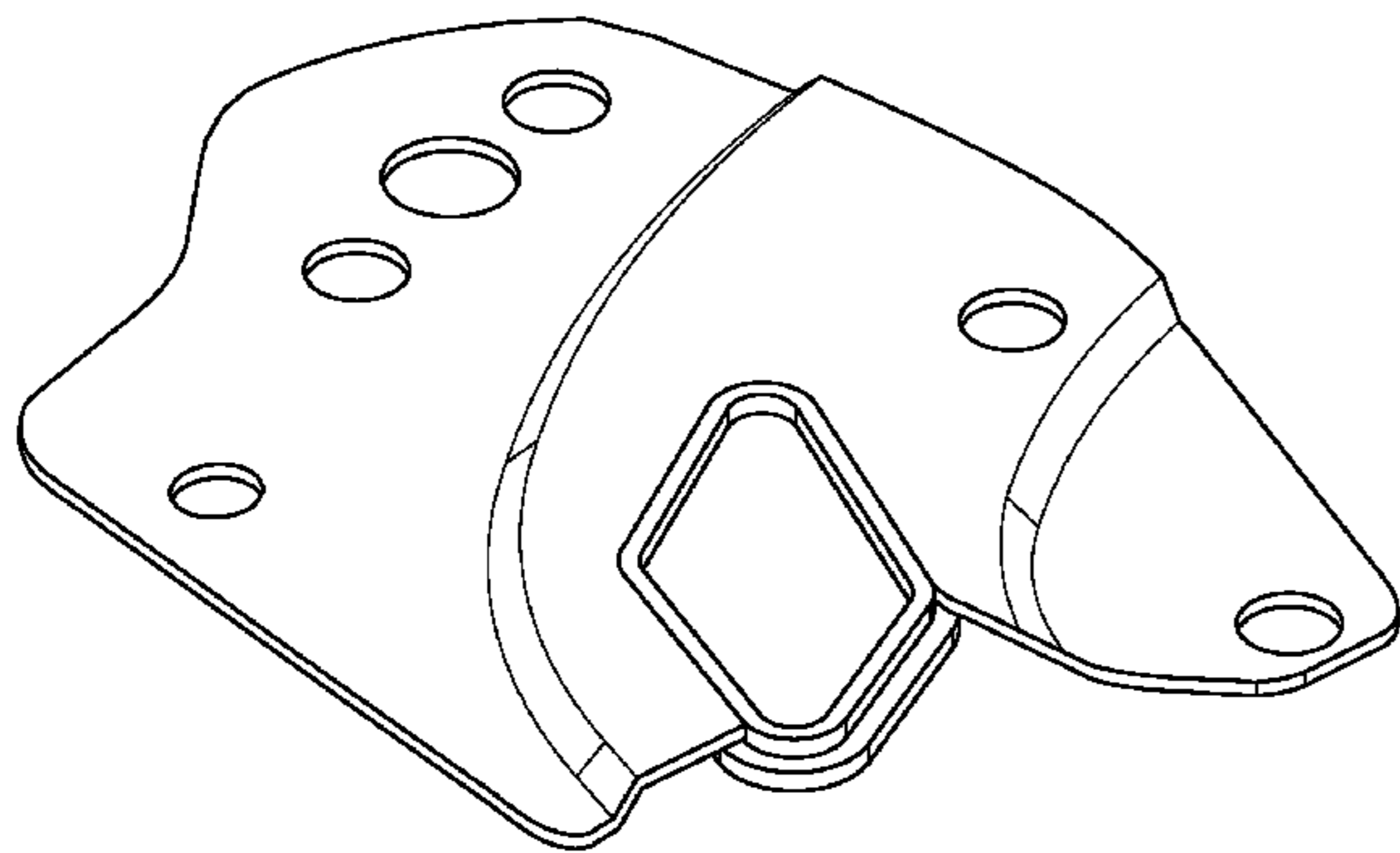
FIG. 8 is a bottom elevational view of the invention.

FIG. 9 is an exploded perspective view of the invention with the detachable element in the detached position; and,

FIG. 10 is a front plan view of the invention as assembled to a helmet.

The broken line showing of a helmet is included for the purpose of illustrating environmental structure and forms no part of the claimed design.

1 Claim, 6 Drawing Sheets



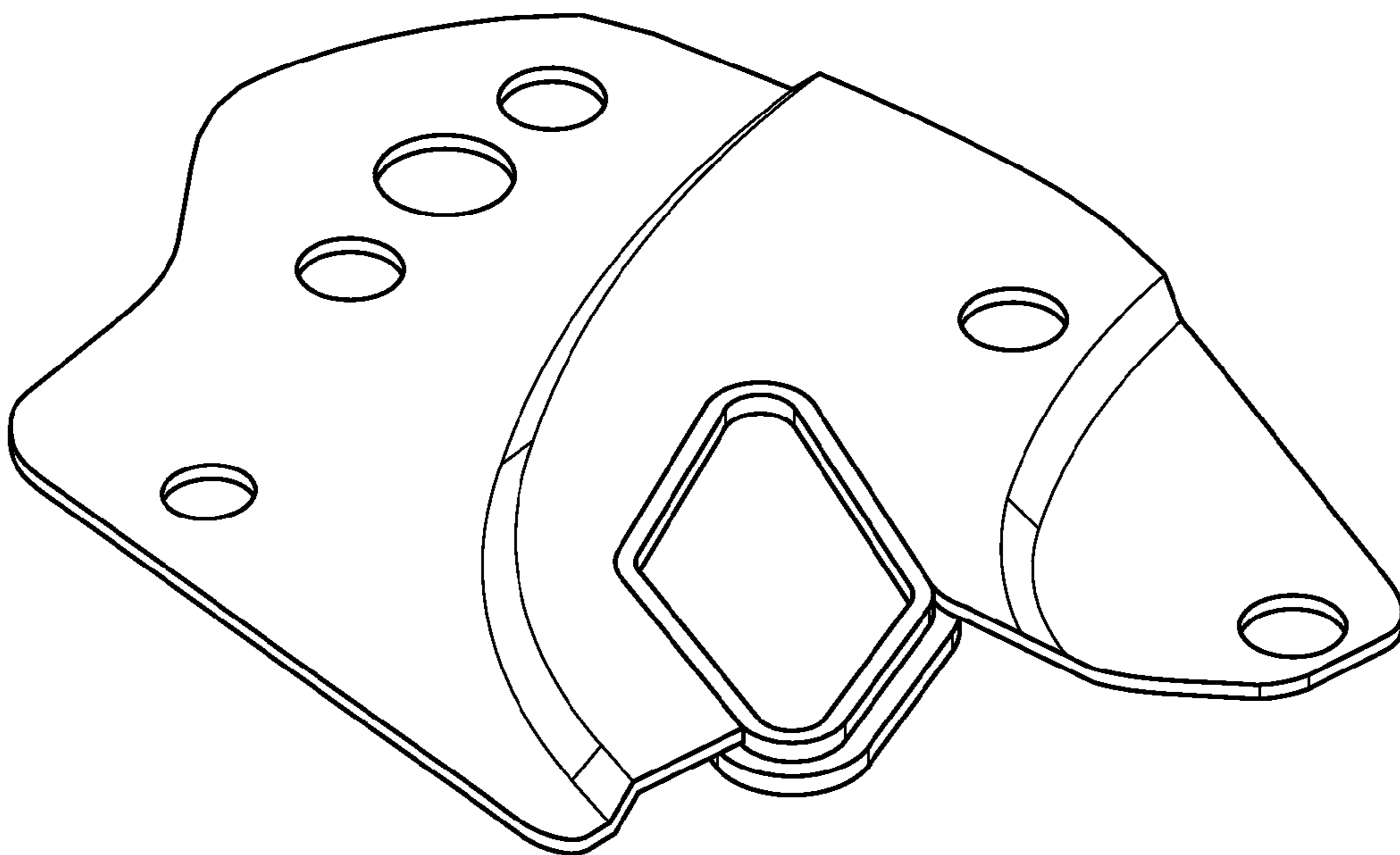


FIG. 1

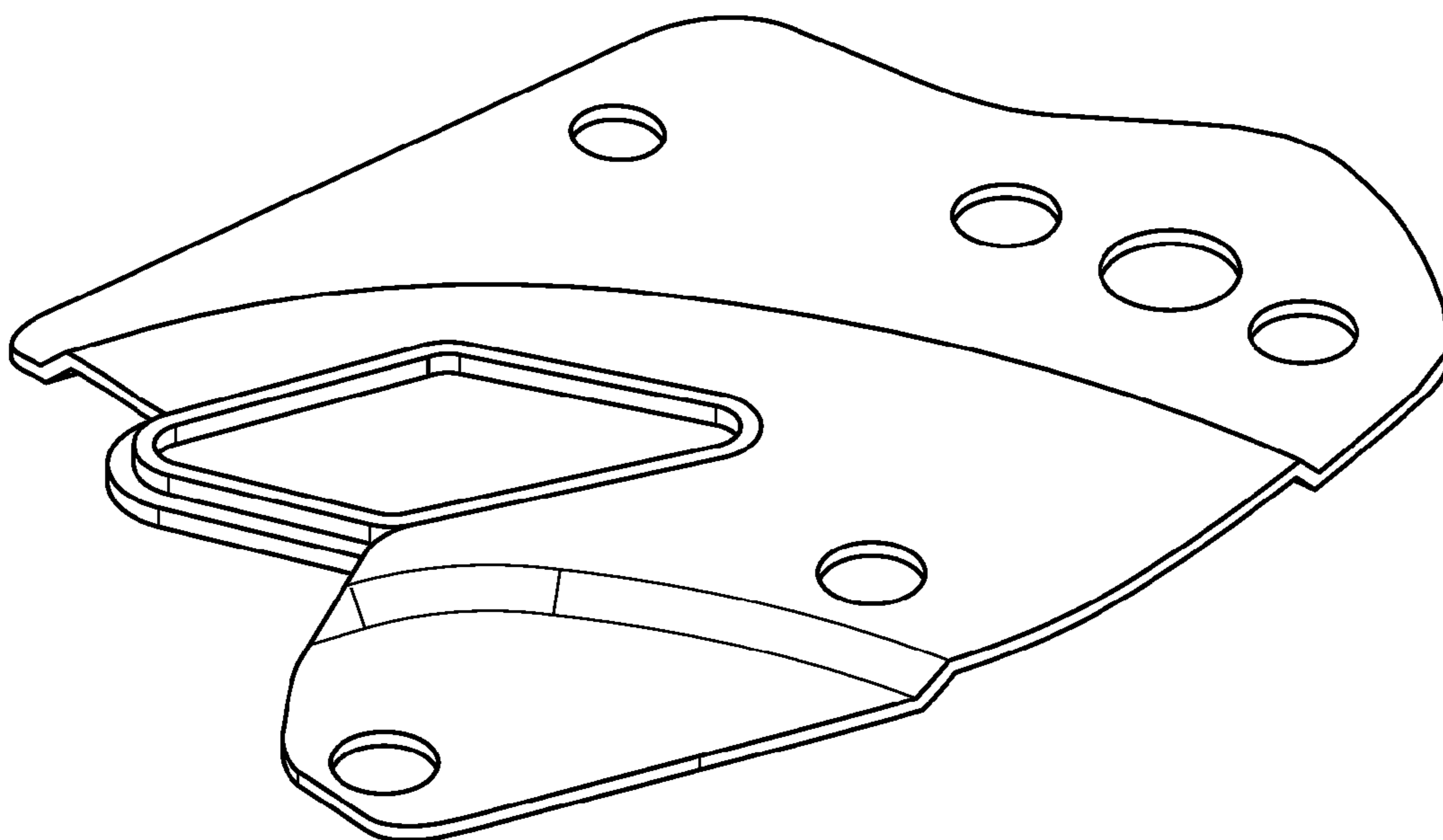


FIG. 2

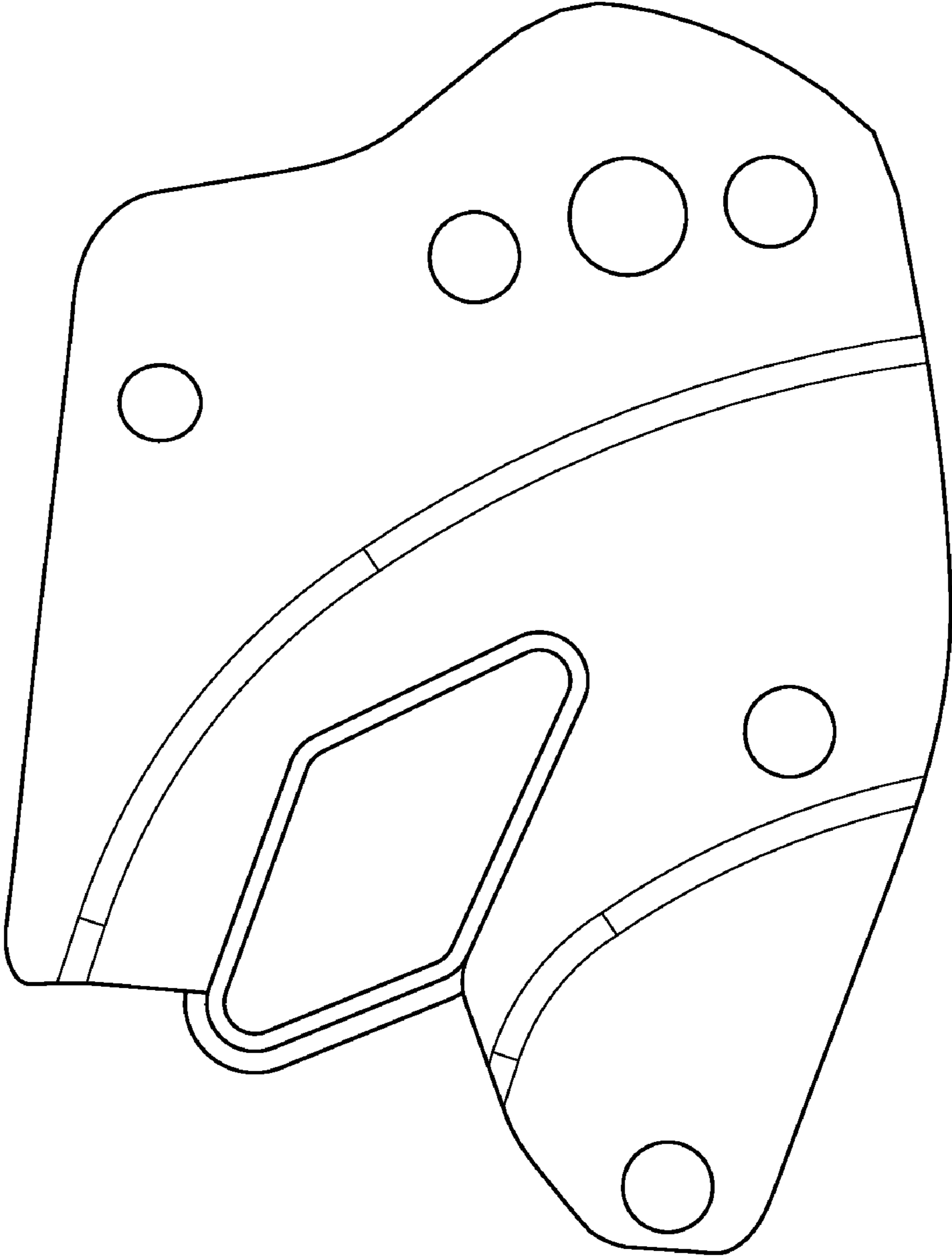


FIG. 4



FIG. 3

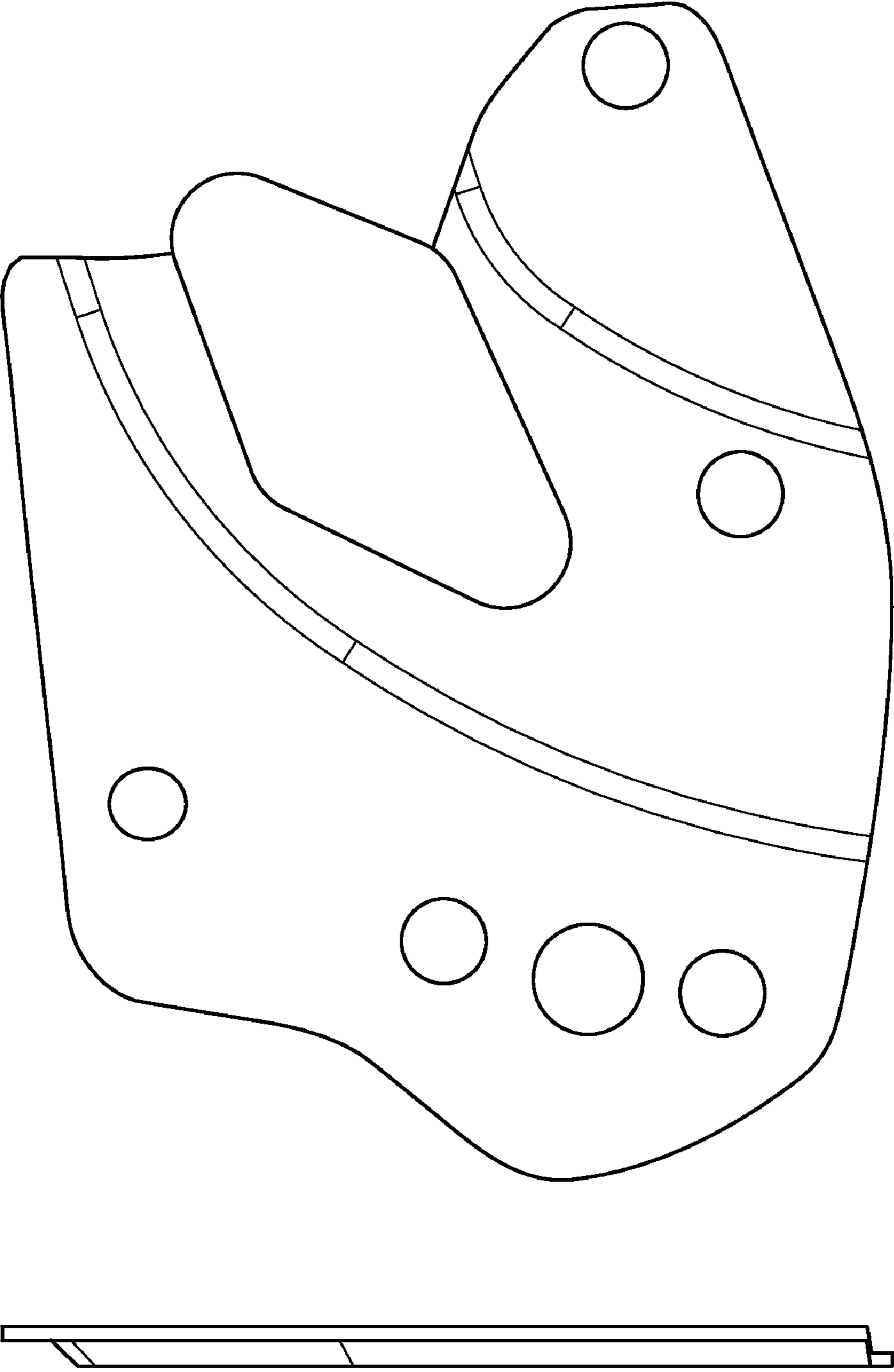


FIG. 6

FIG. 5



FIG. 7



FIG. 8

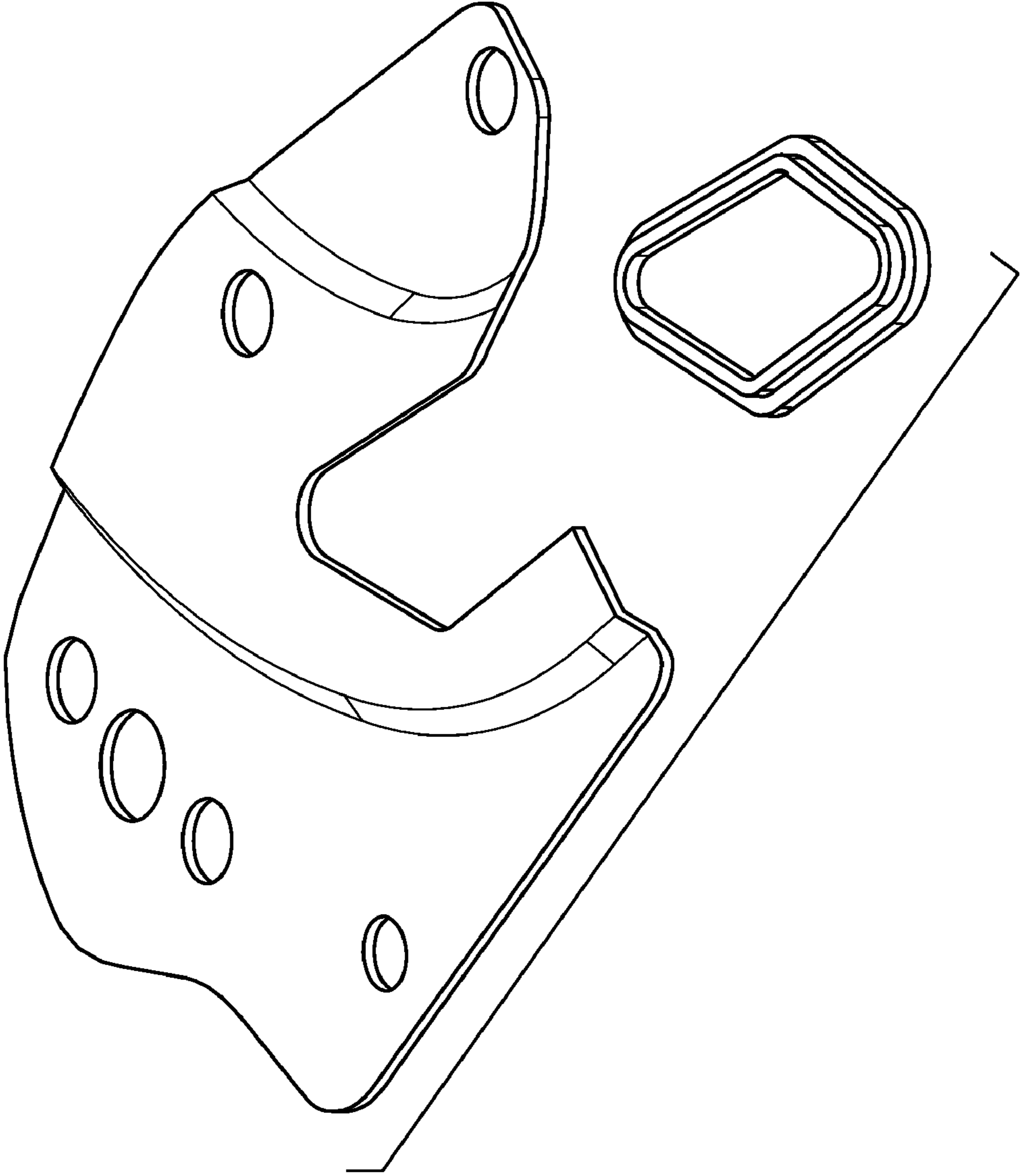


FIG. 9

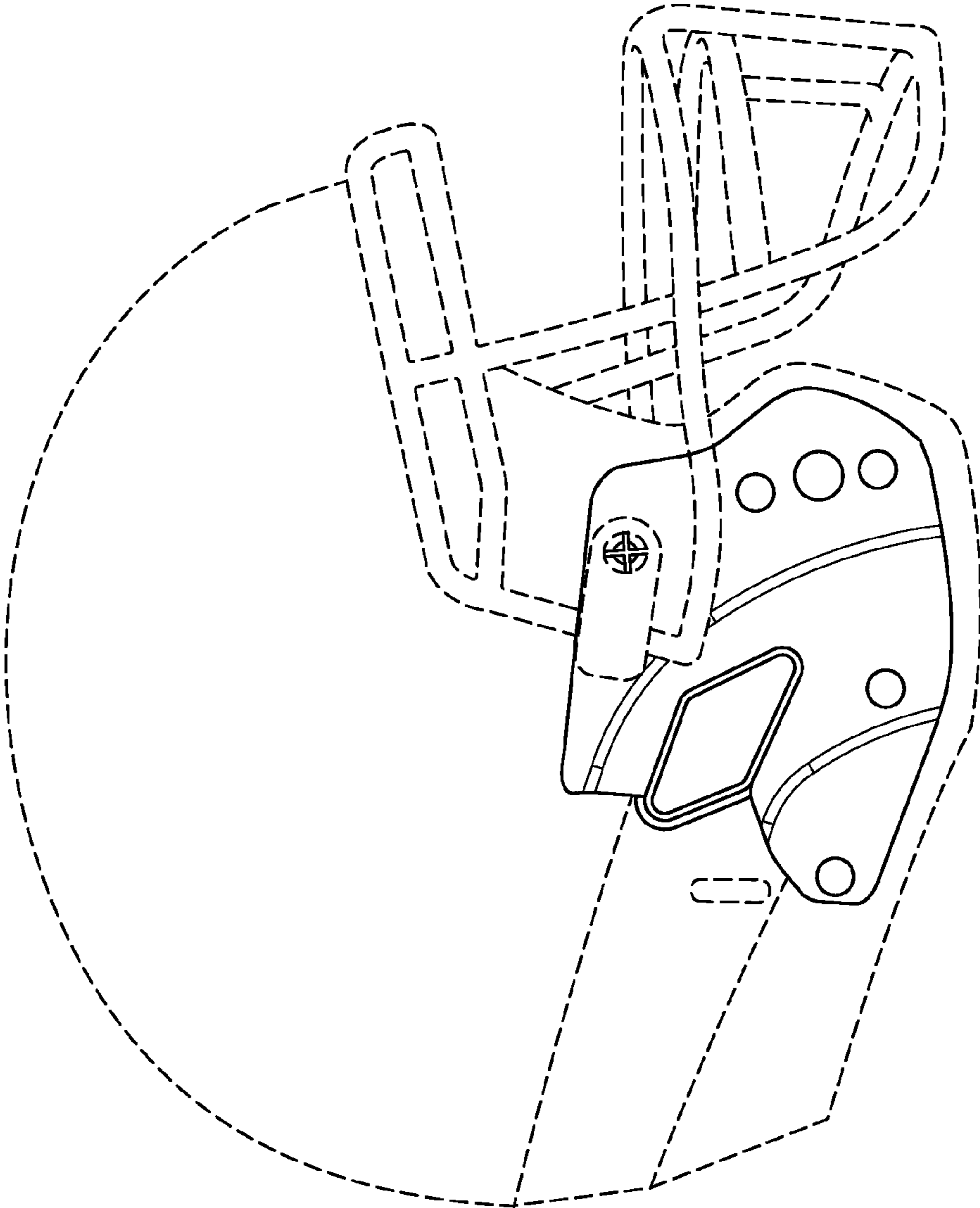


FIG. 10